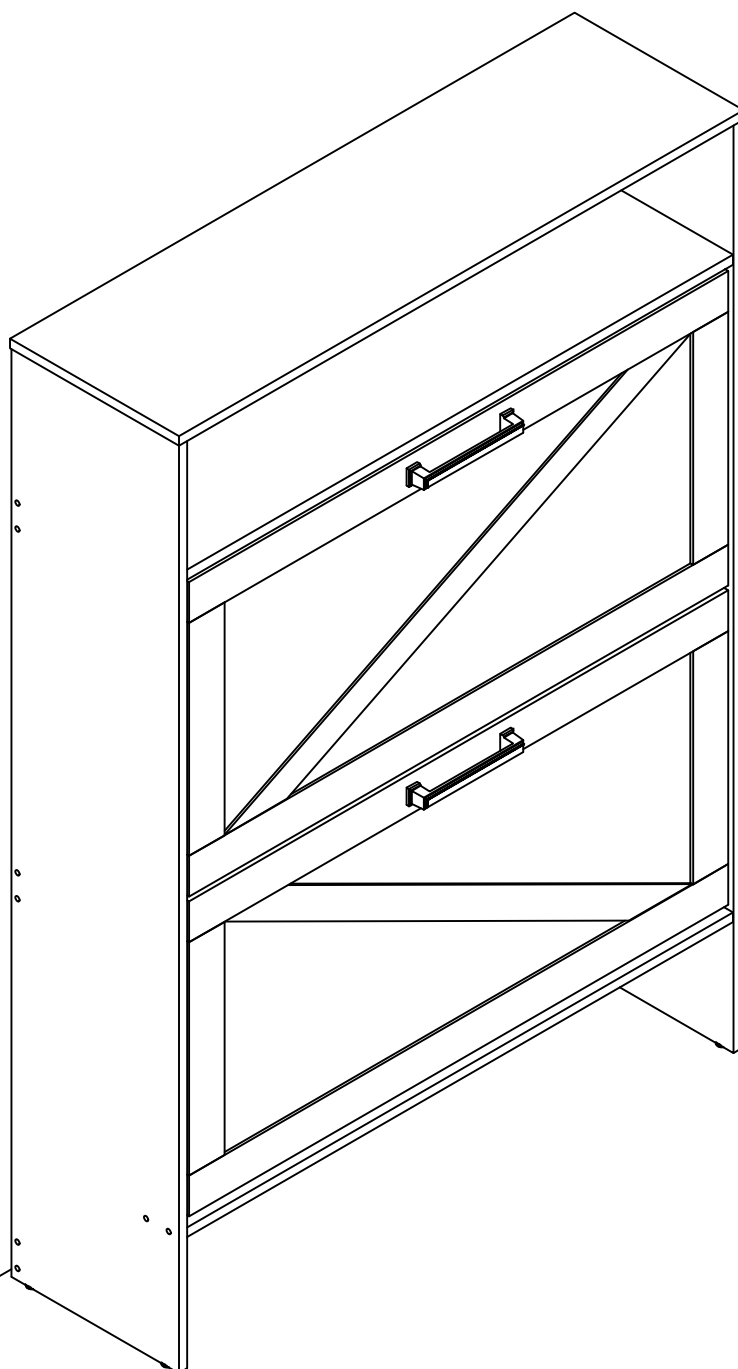
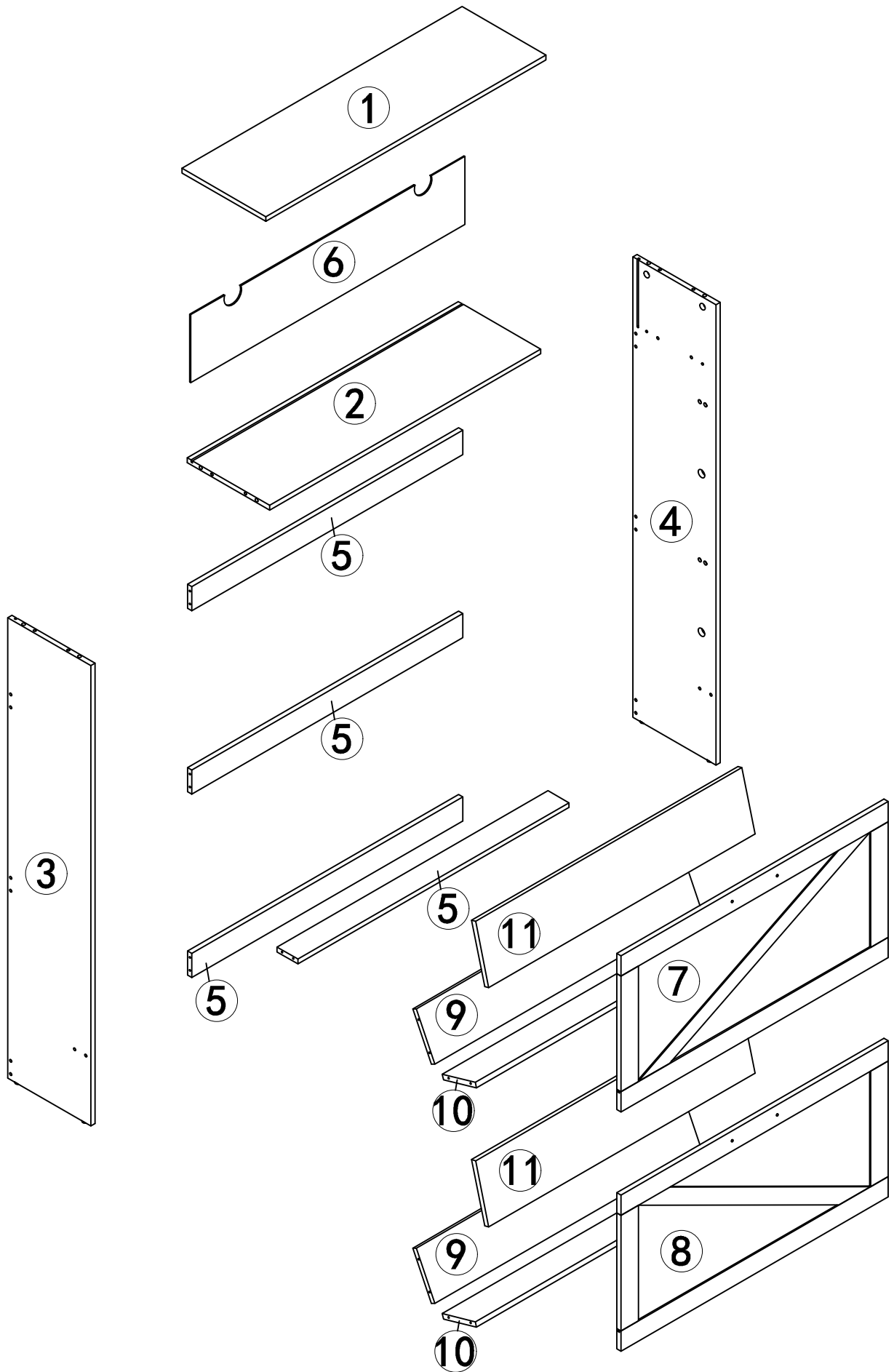





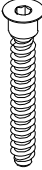


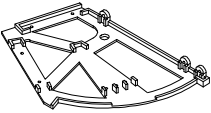
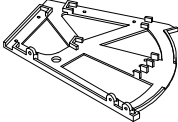
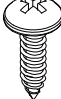

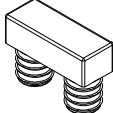
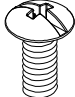

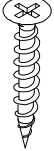
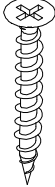
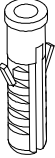

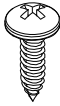
Assembly Instructions



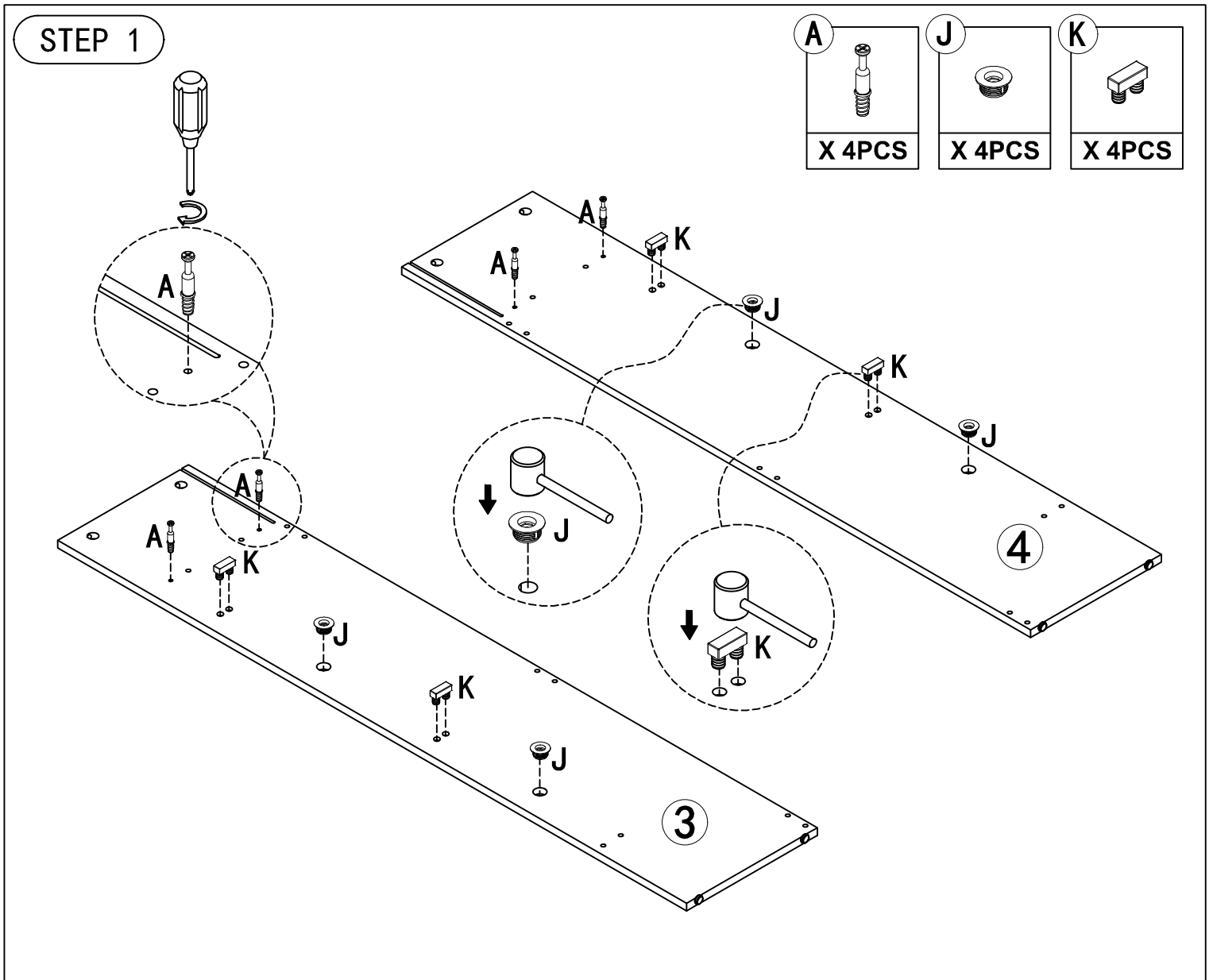
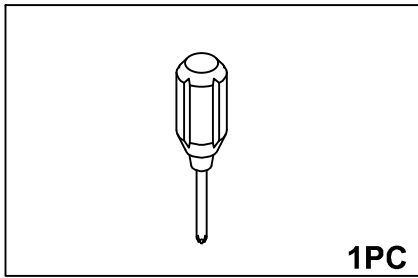
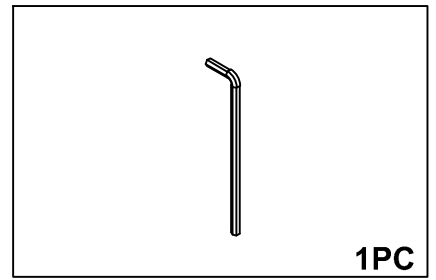
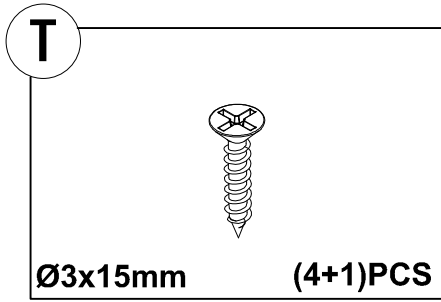
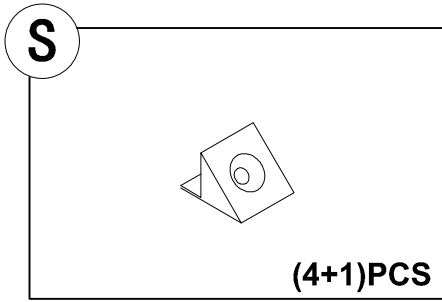
PART LIST



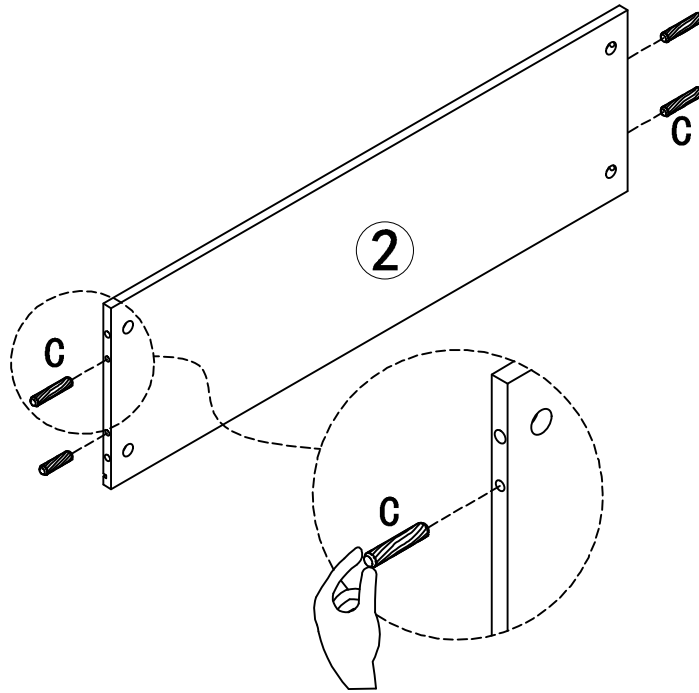
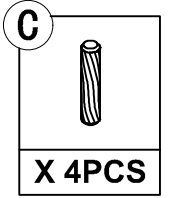
HARDWARE LIST

A  Ø6x33.5mm (8+1)PCS	B  Ø15x9.5mm (8+1)PCS	C  Ø6x30mm (8+1)PCS
D  Ø5x40mm (16+1)PCS	E  2PCS	F  Ø4x16mm 4PCS
G  2PCS	H  2PCS	I  Ø3.5x14mm (12+1)PCS
J  4PCS	K  4PCS	L  Ø4x8mm 4PCS
M  4PCS	N  Ø4x25mm (16+1)PCS	O  Ø4x38mm 2PCS
P  2PCS	Q  2PCS	R  Ø3.5x12mm 4PCS

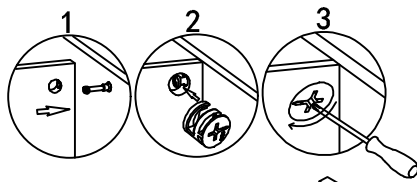
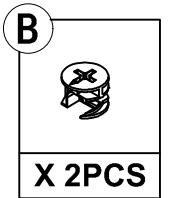
HARDWARE LIST



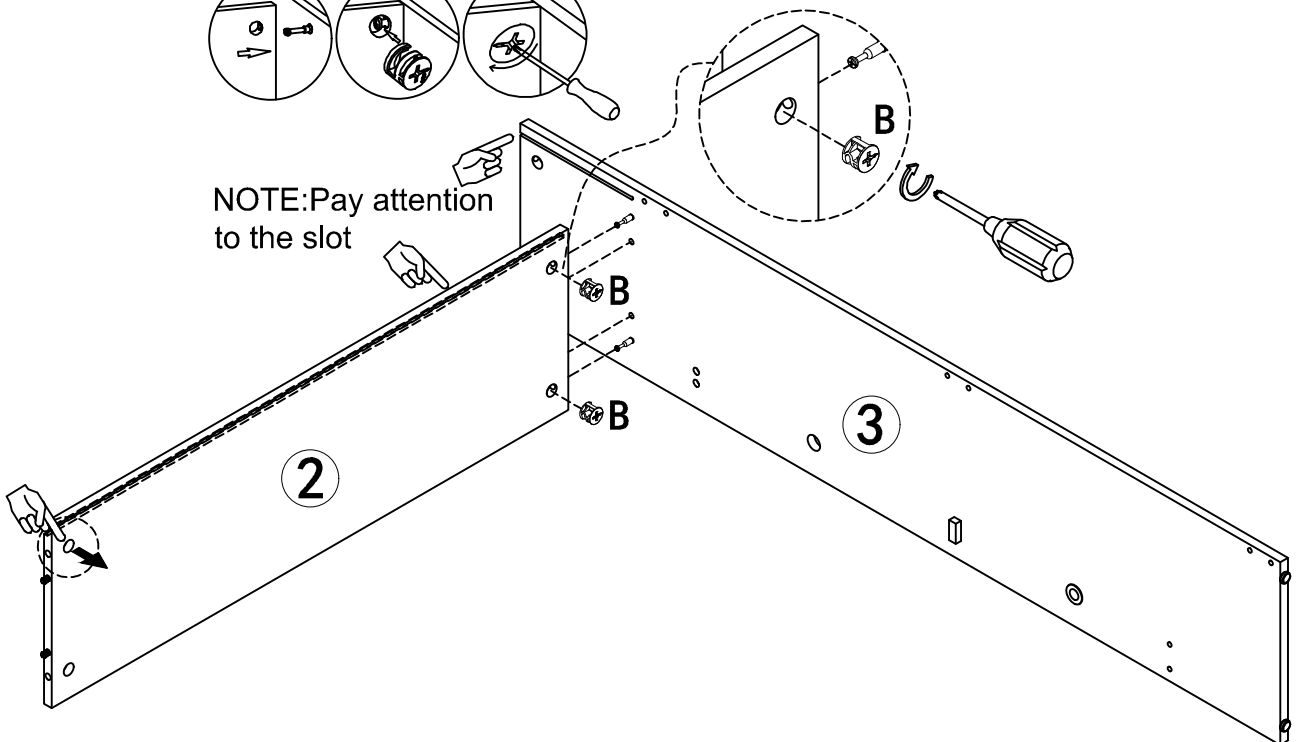
STEP 2



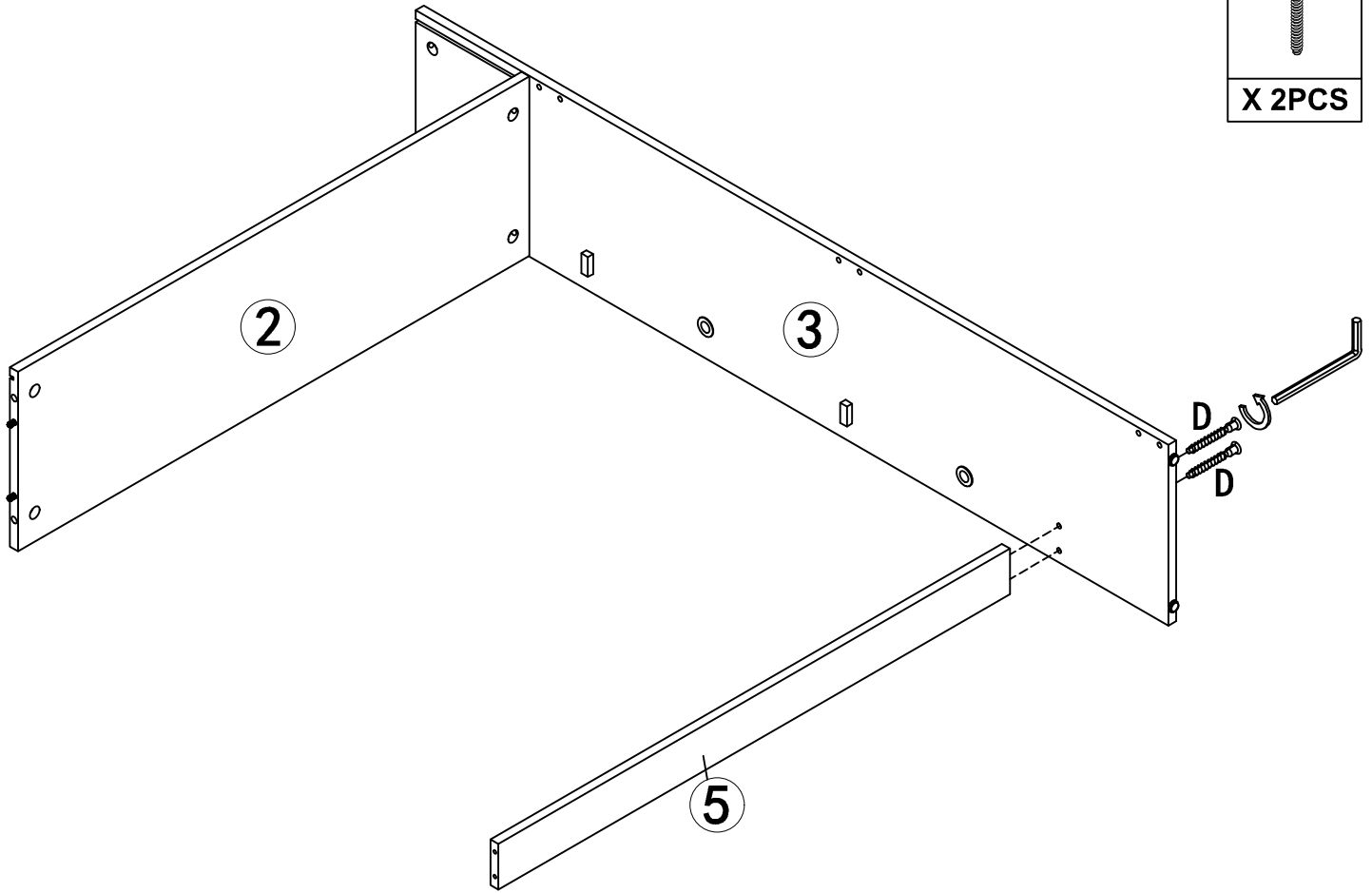
STEP 3



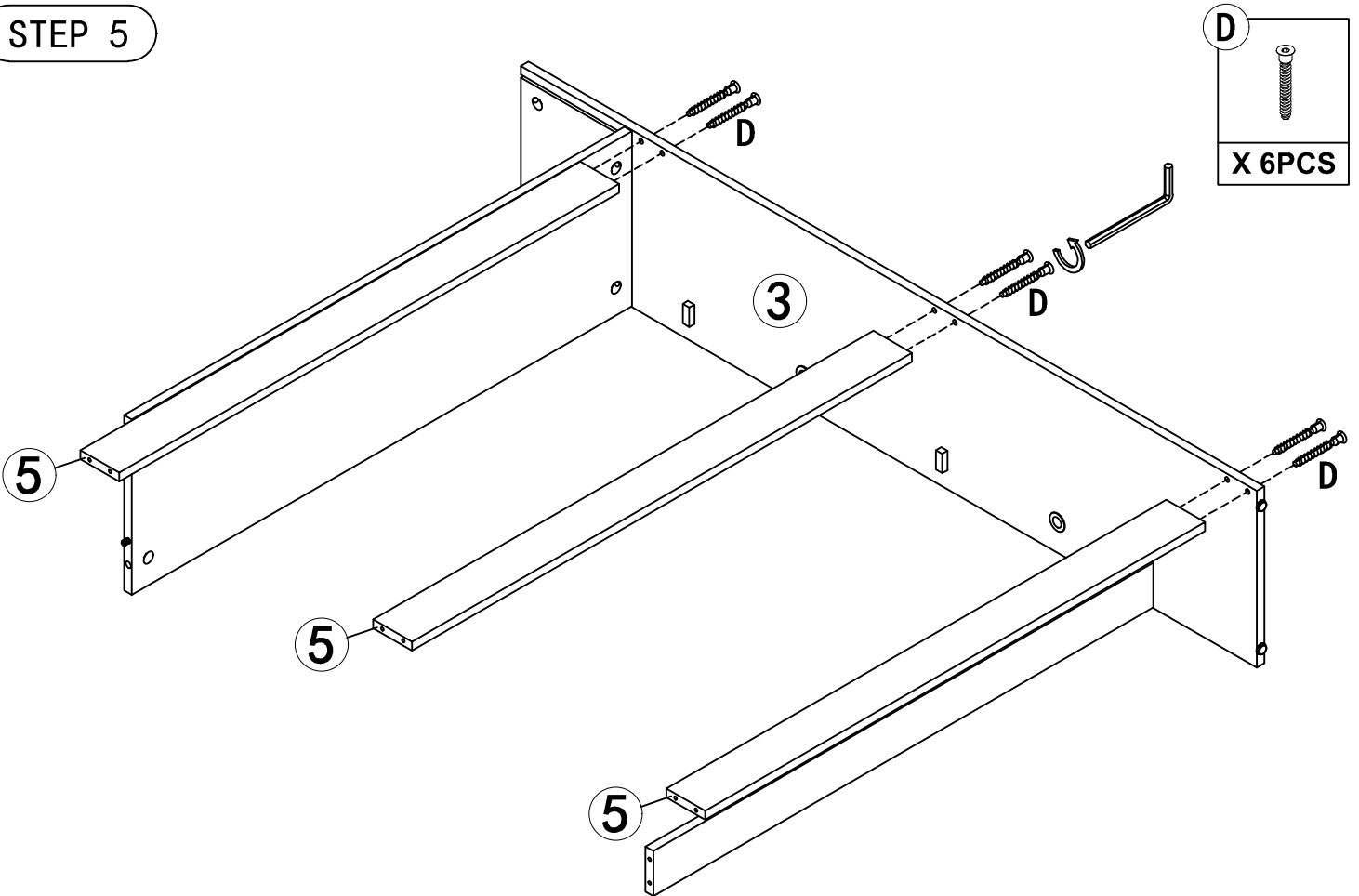
NOTE: Pay attention to the slot



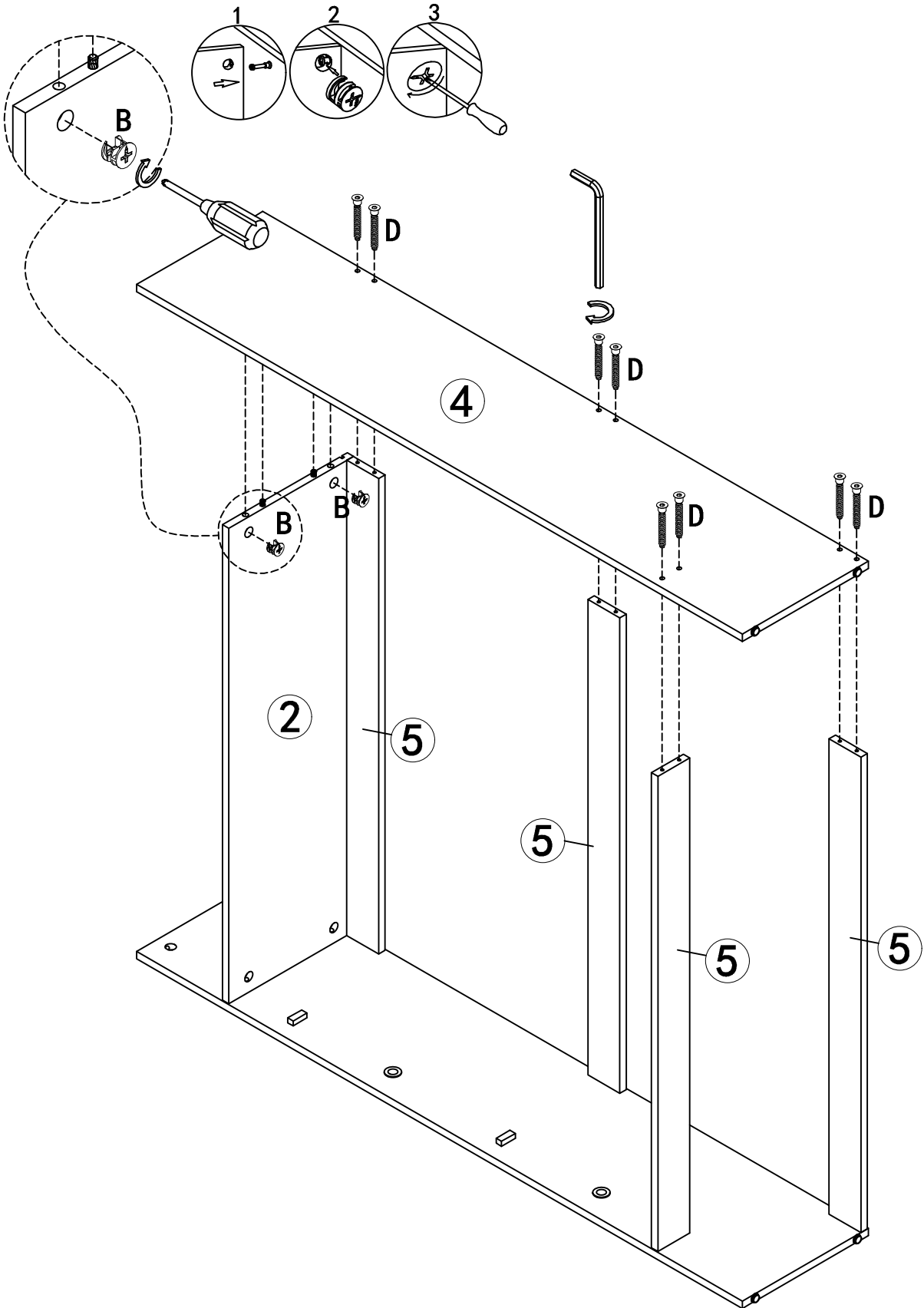
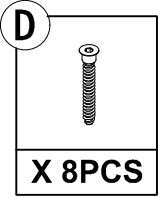
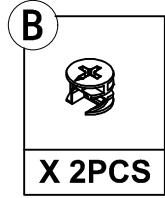
STEP 4



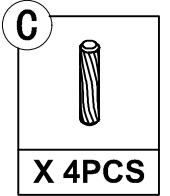
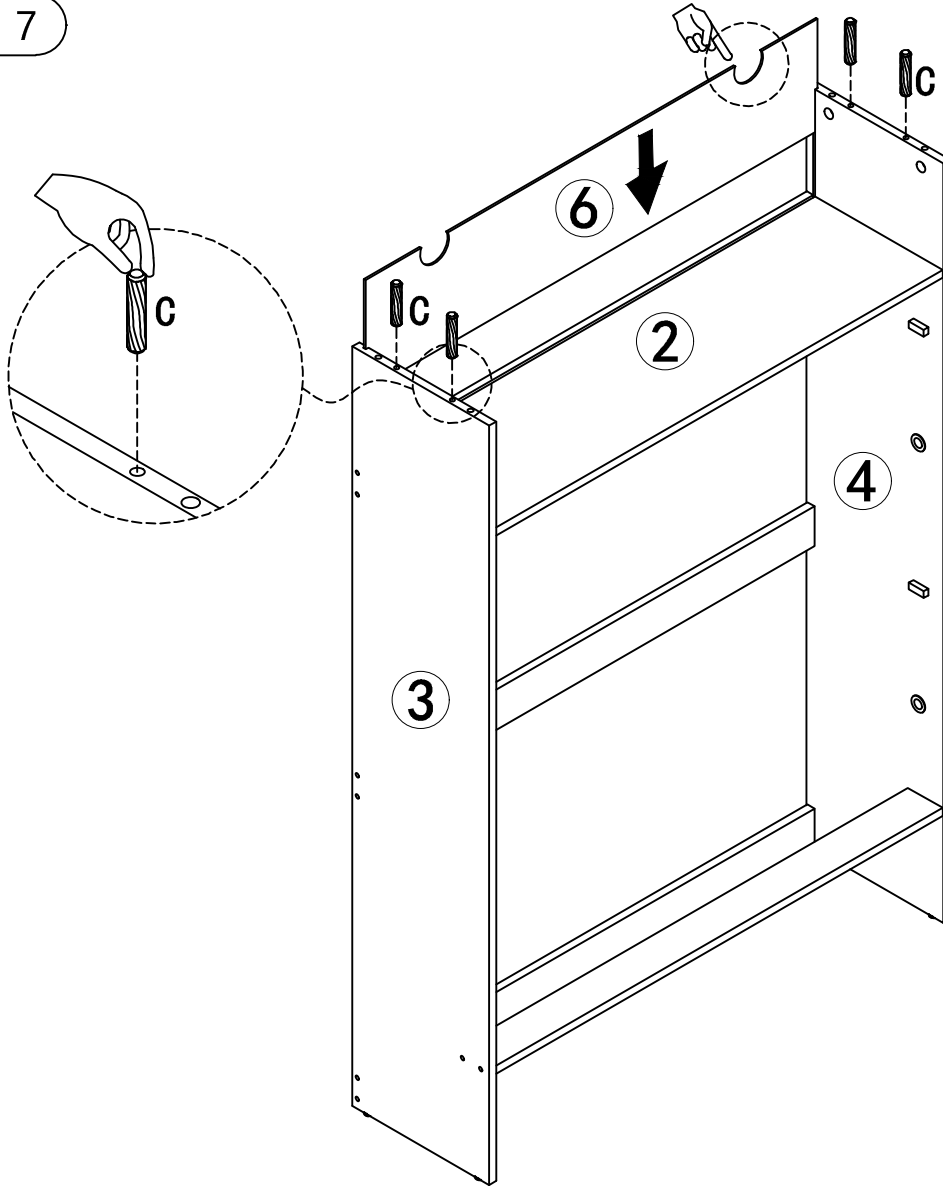
STEP 5



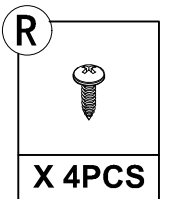
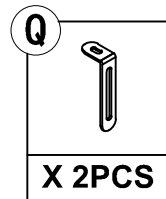
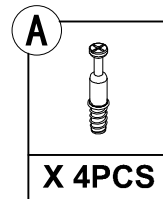
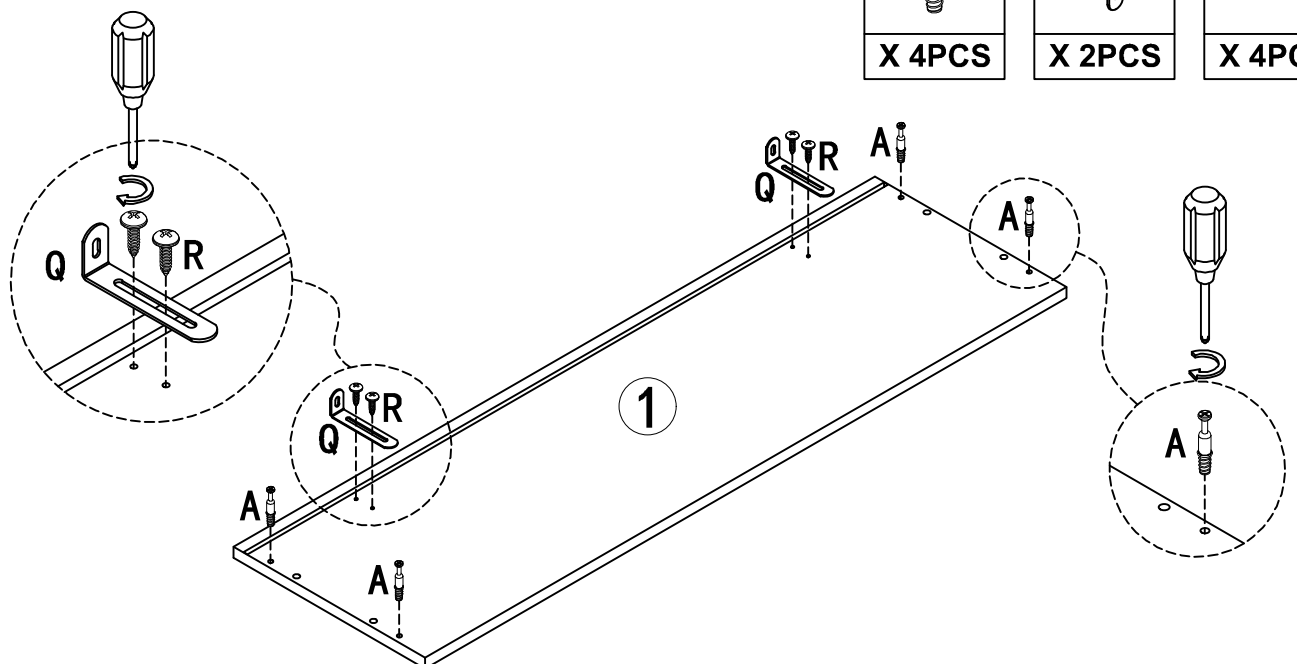
STEP 6



STEP 7




STEP 8



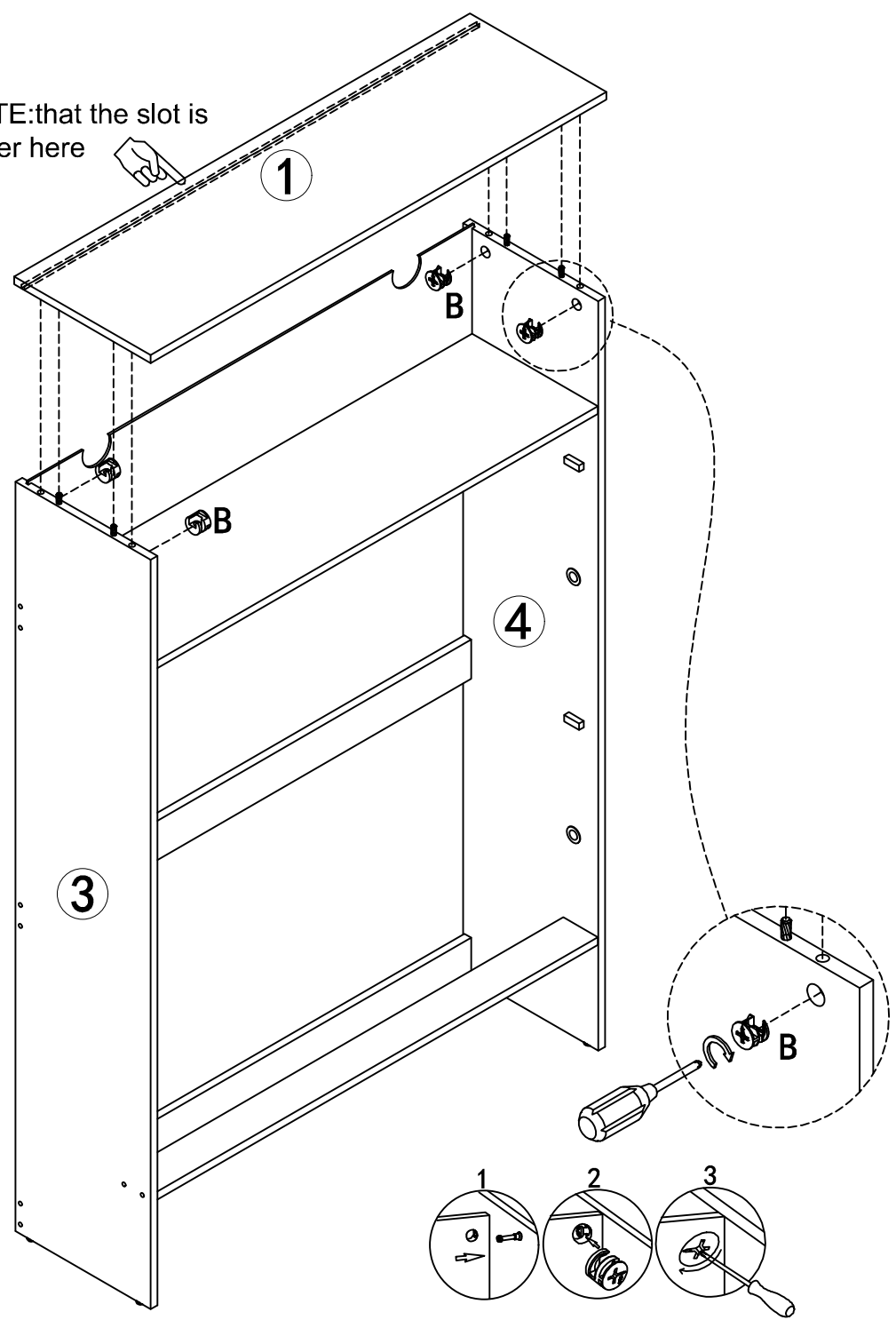
STEP 9

B




X 4PCS

NOTE: that the slot is under here




STEP 10

S

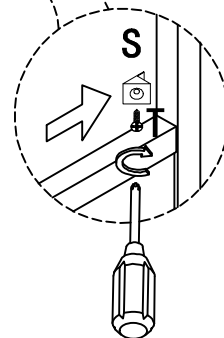
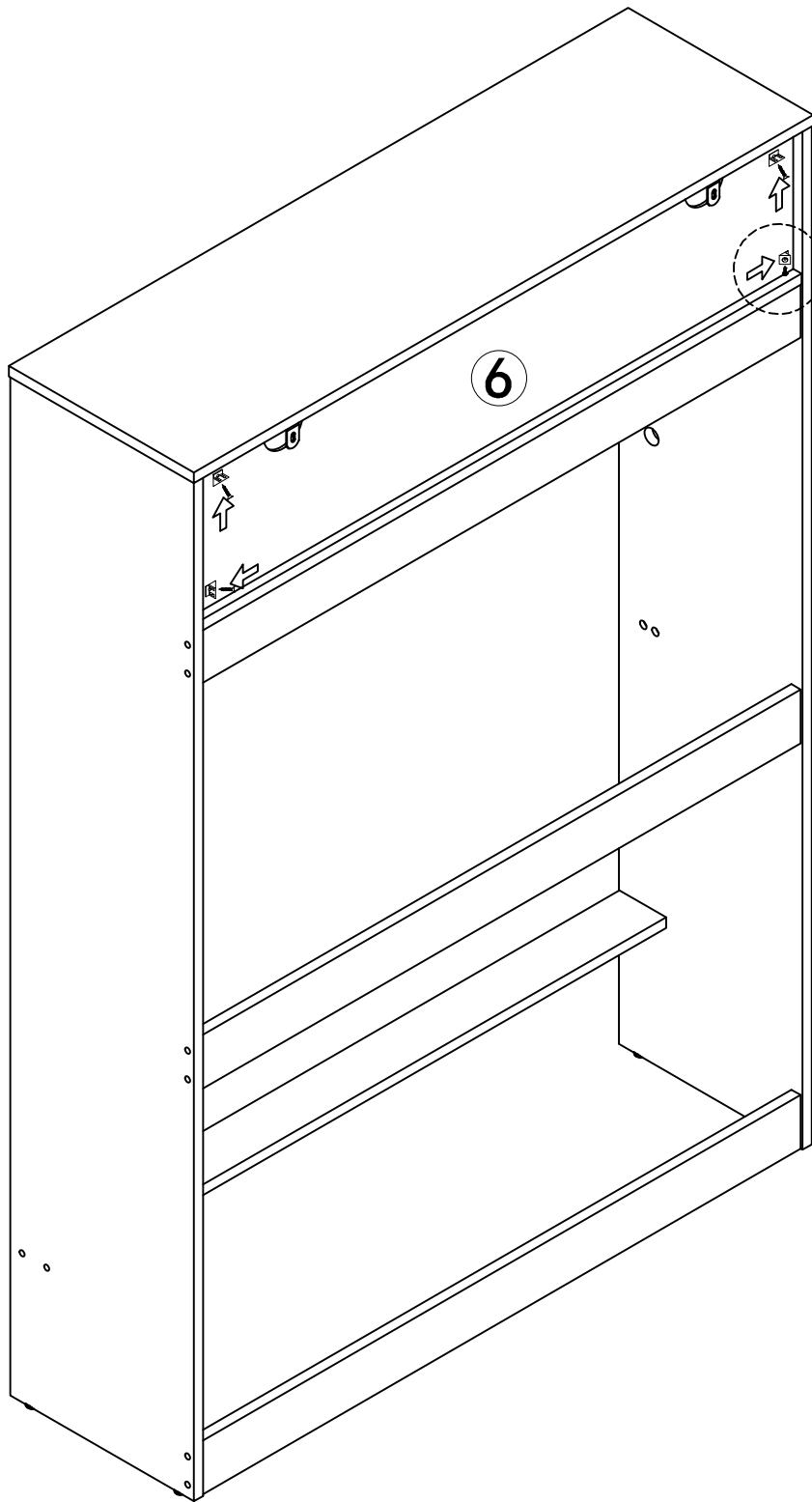


X 4PCS

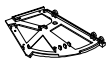
T

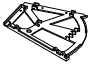



X 4PCS

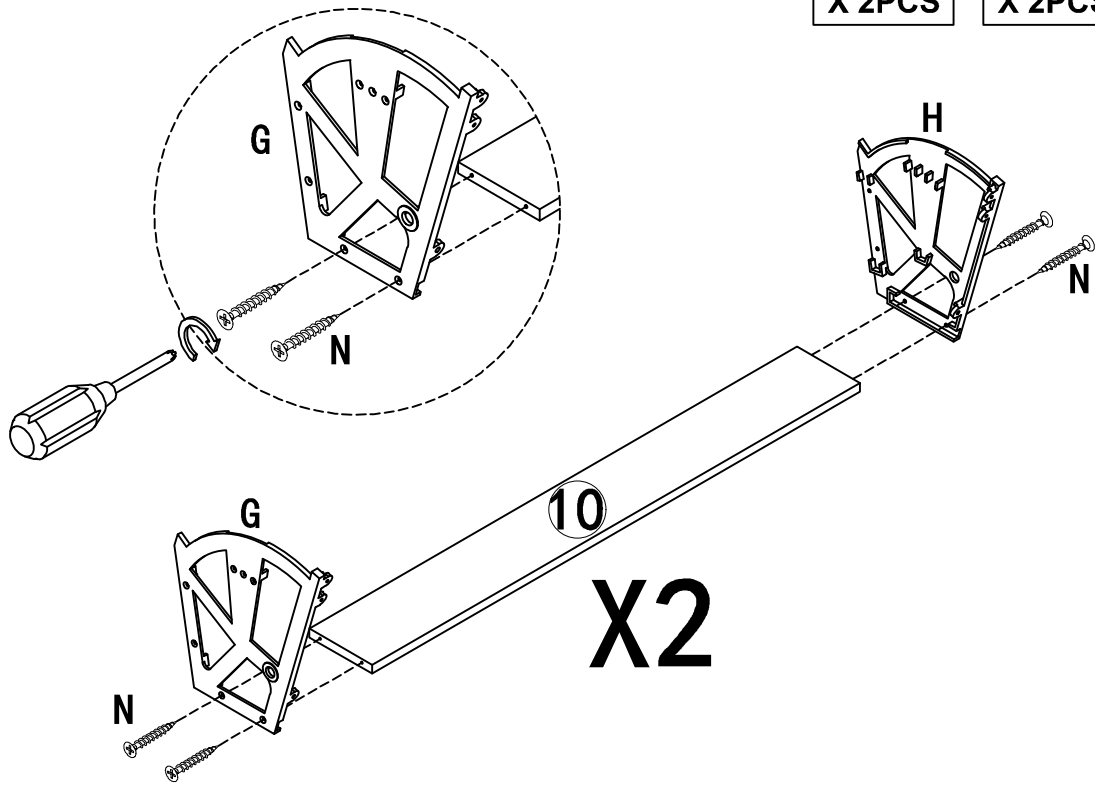


STEP 11


G

X 2PCS

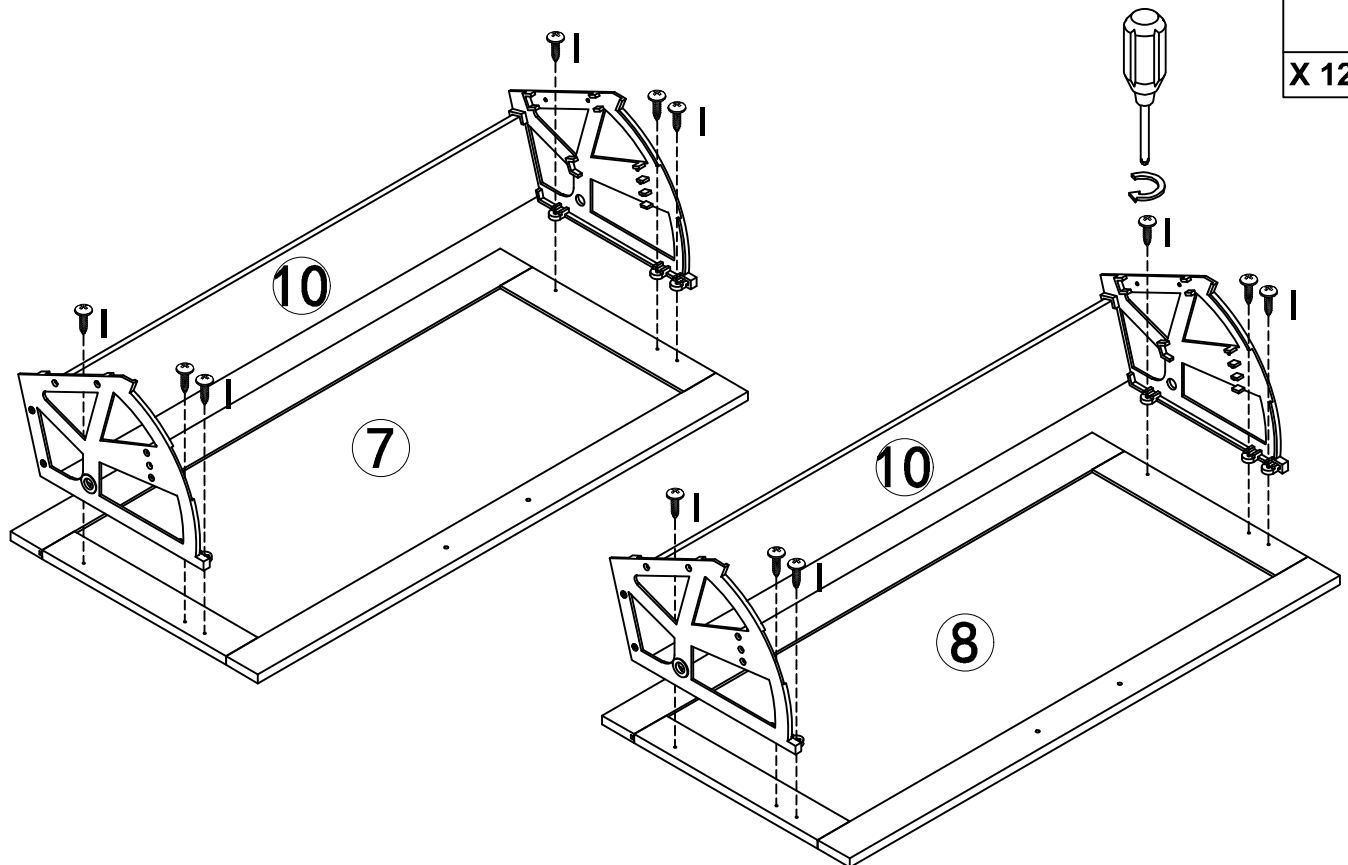
H

X 2PCS

N

X 8PCS

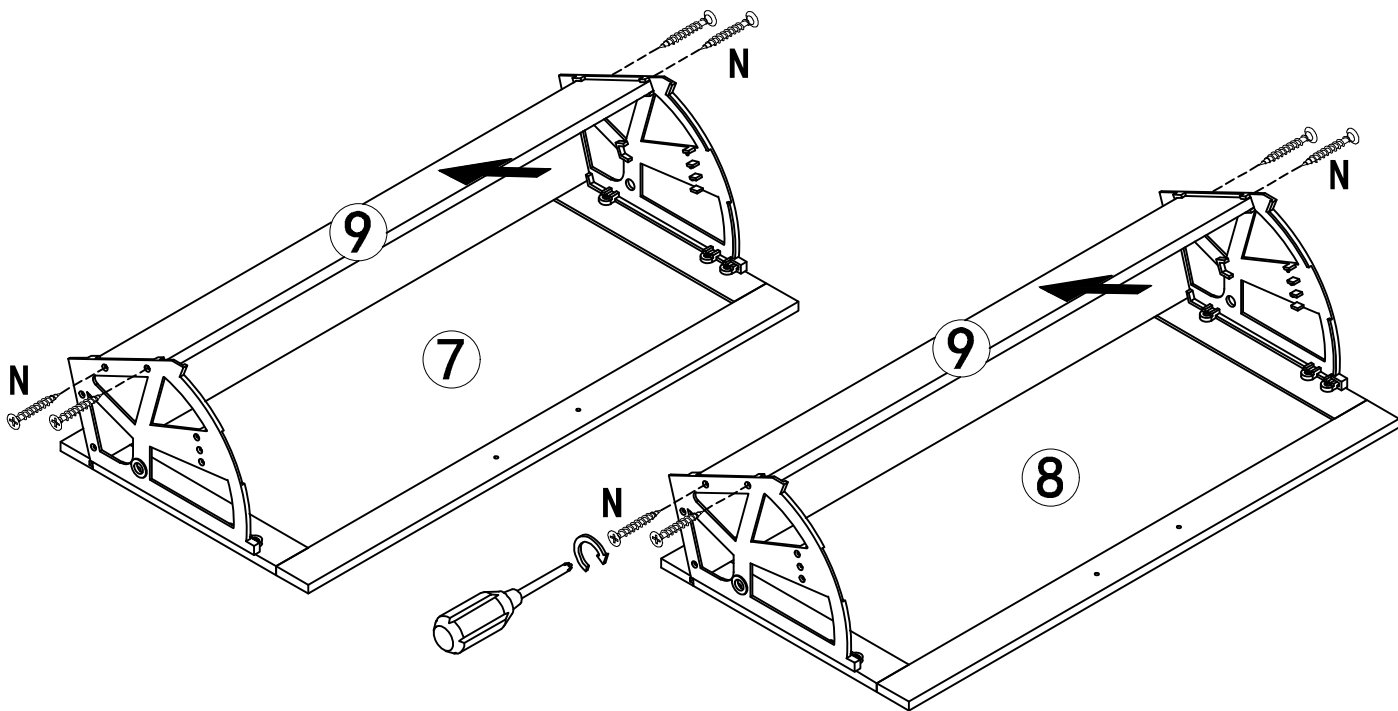
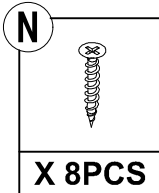


STEP 12

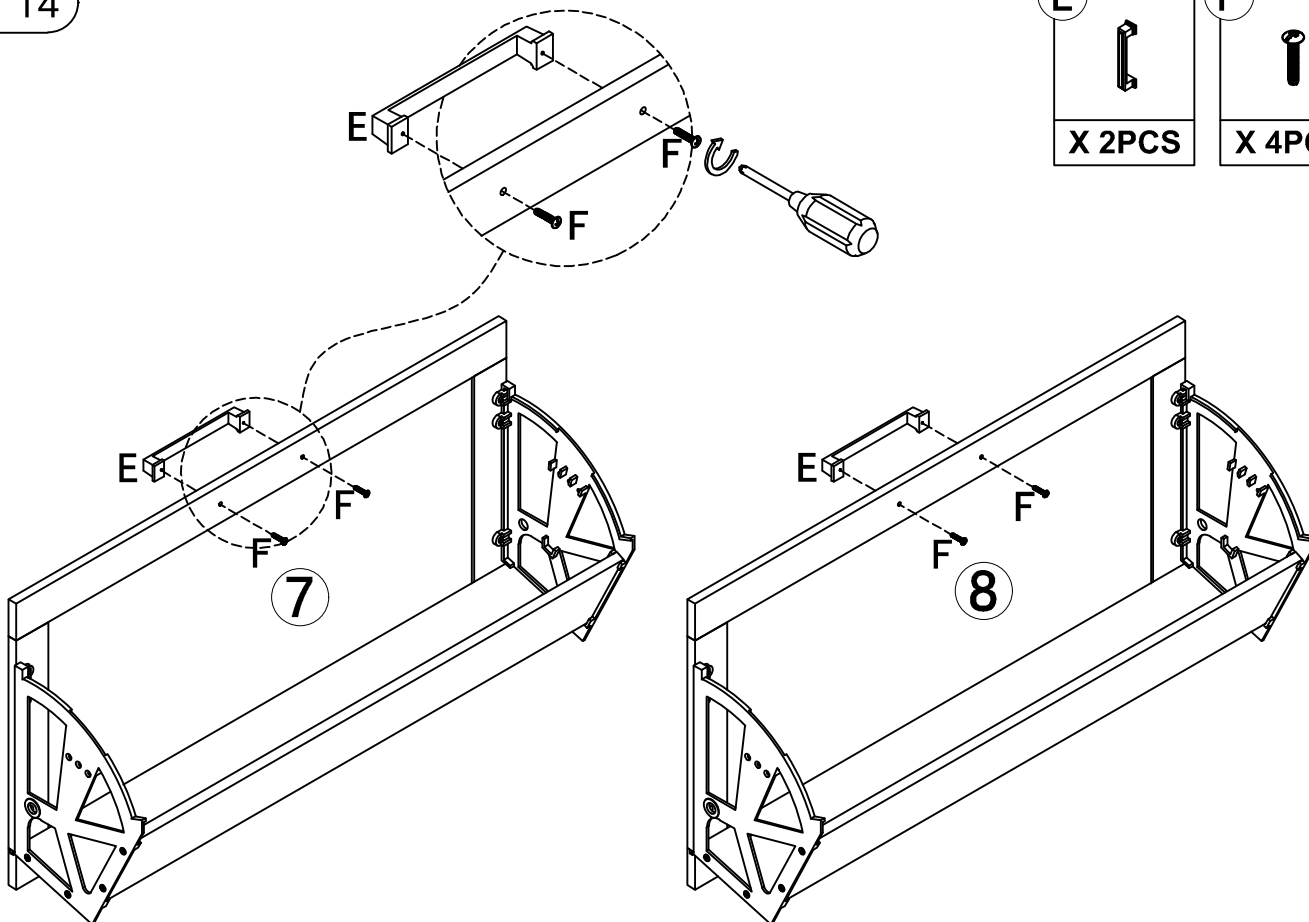
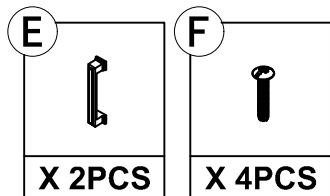
I

X 12PCS





STEP 13

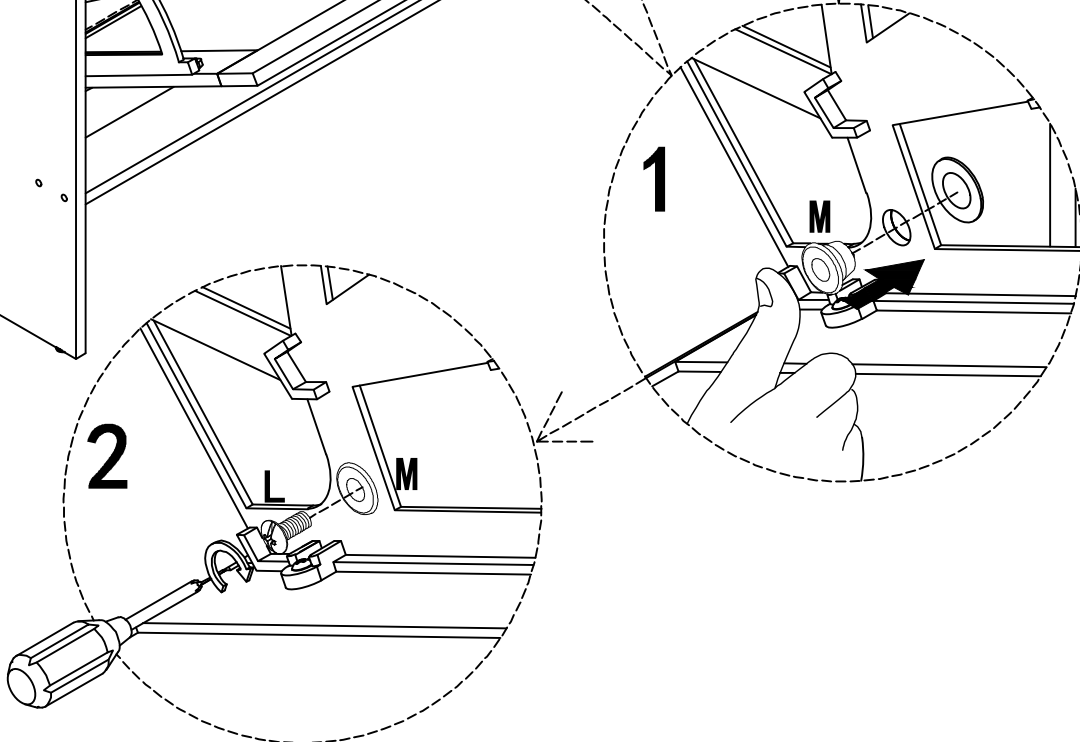
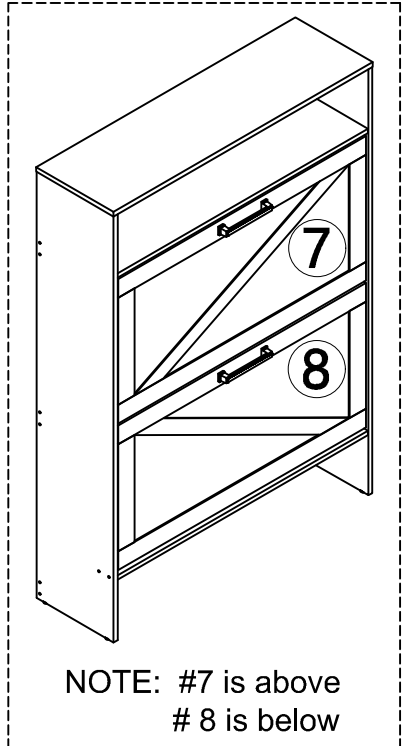
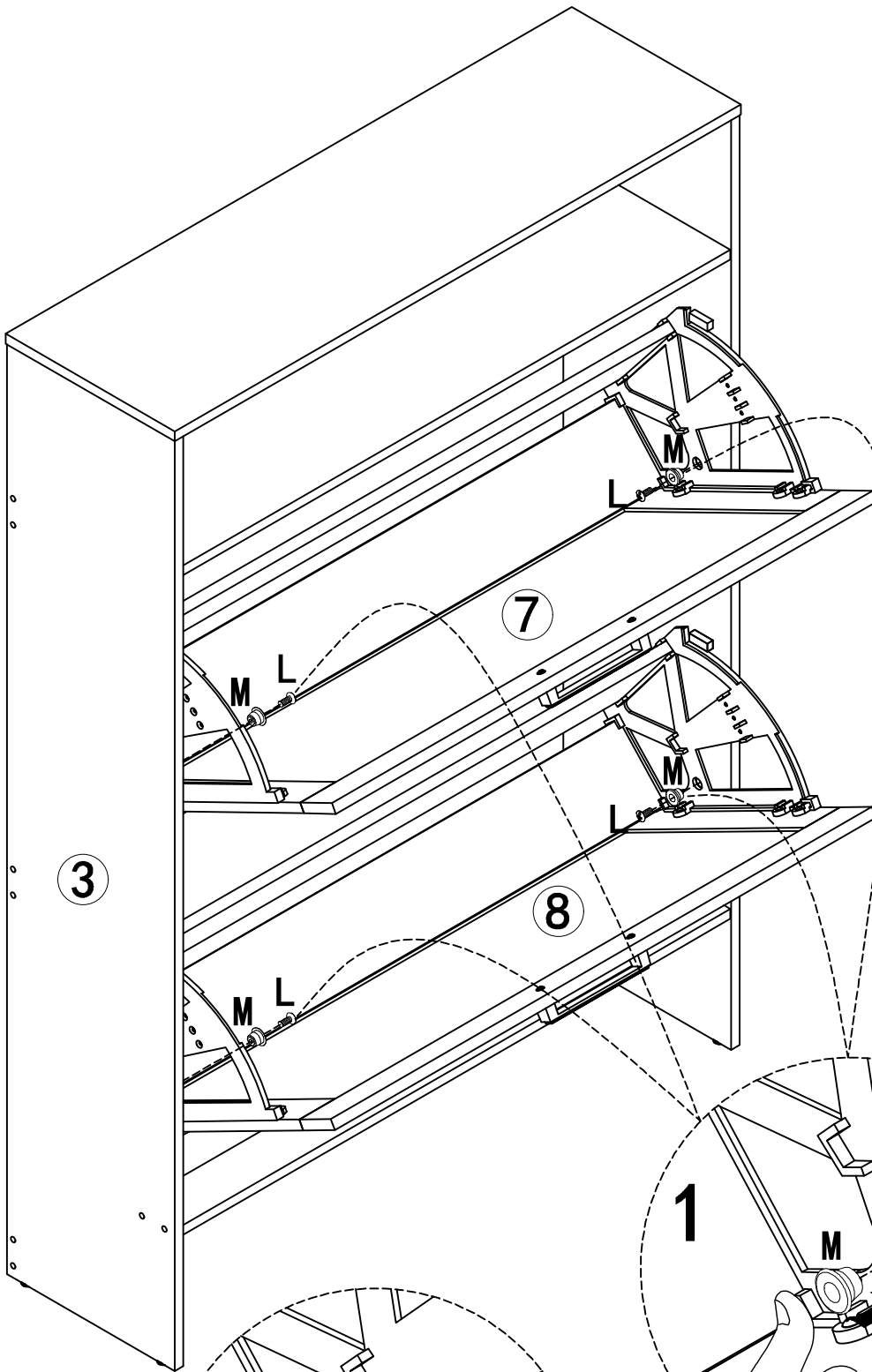


STEP 14

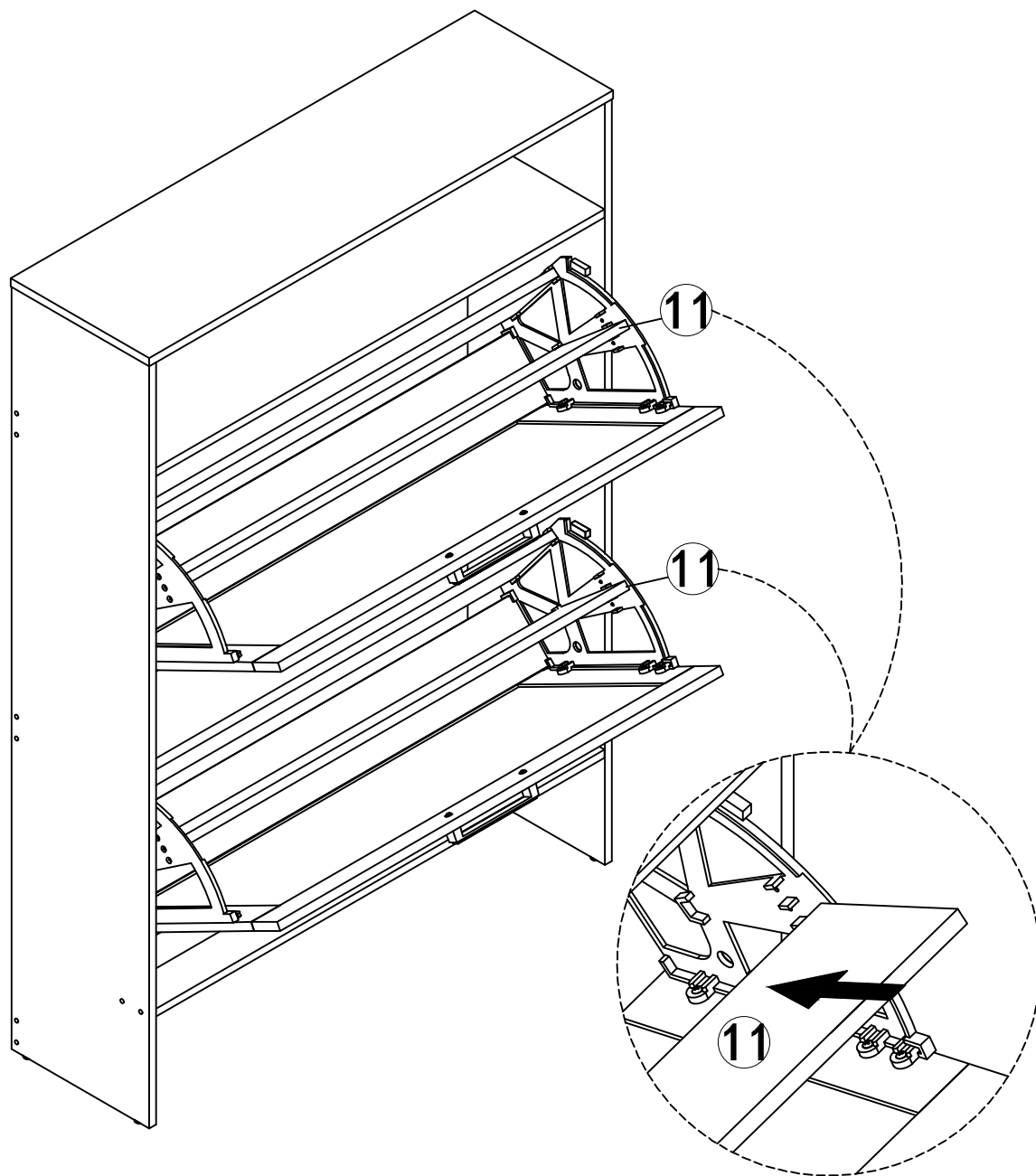


STEP 15

L 	M 
X 4PCS	X 4PCS



STEP 16



Adjustable shelf for various size of shoes

