

# LED OUTDOOR WALL SCONCE

By VONN Lighting

## VOW1756



PROJECT:

TYPE:

CATALOG#:

DATE:



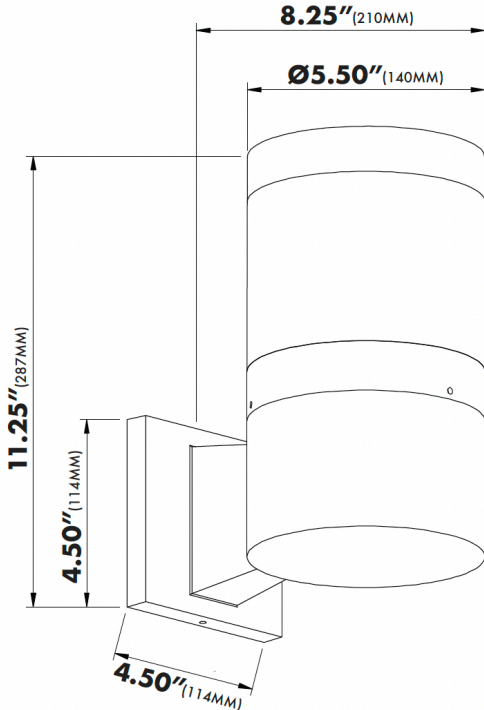
### DESCRIPTION

VONN Outdoor 11" LED Wall Sconces are constructed in an aluminum body with UV proof powder coating to resist all weather conditions. Such construction offers up to 50000 hours of lifespan along with a 5-Year Limited Warranty.

### FEATURES

- LUMENS: 209LM
- WATTS: 5W
- VOLTAGE: 120V AC
- CRI: 90
- CCT: 3000K
- WET LISTED: IP65
- DIFFUSER: POLYCARBONATE
- MATERIAL: ALUMINUM WITH UV POWDER COATING
- FINISH: BLACK
- LIFETIME: 50,000 HOURS
- LISTED: ETL
- WARRANTY: 5-YEAR LIMITED

### DIMENSIONS



Theoretical Lumens: XXX LM (subject to change)

Theoretical Wattage: XXX W (subject to change)

\*\*\*Please note lumens and wattage are subject to change and will be determined post production of the first articles.

\*Any custom modifications are subject to minimum order quantity. (M.O.Q.)

© VONN Lighting, 2025

