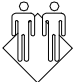
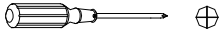



ASSEMBLY INSTRUCTIONS

PADOVA CABINET

ASSEMBLY REQUIREMENTS	1.5 Hours Assembly Time (Approximate)	2 -Person Assembly 	Tools Required (Not Provided): Phillips Screwdriver  Flat Head Screwdriver 
-----------------------	---------------------------------------------	---------------------------------------------------------------------------------------------------------	---------------------------------------------------------------------------------------------------------------------------------------------------------------------------------------------------------------------------------------------------------

Thank you for purchasing our product!

Please refer and use this assembly instruction to assemble the product.
Contact our customer service department in case there are any missing or damaged parts or hardware.
Replacement parts are normally shipped within 2 or 3 days.

We appreciate your business!

PRODUCTS PURCHASED THROUGH OUR AUTHORIZED VENDORS ONLY ARE ELIGIBLE FOR REPLACEMENT PARTS.

THIS PRODUCT IS FOR INDOOR AND HOUSEHOLD USE ONLY - NOT FOR COMMERCIAL USE.

ASSEMBLY PREPARATION

1. Remove all packaging materials, staples and packing straps from the carton.
2. Refer to Parts List and Hardware List and ensure they are correct before assembly.
Contact customer service for missing parts.
3. Place all wooden parts on a clean, flat and soft surface (e.g. carpet or rug) to prevent parts from getting scratched.

SAFETY PRECAUTION

1. KEEP ALL HARDWARE PARTS OUT OF REACH OF CHILDREN.
2. DISPOSE PLASTIC PACKAGING MATERIAL IMMEDIATELY TO AVOID ANY RISK OF SUFFOCATION TO CHILDREN AND ANIMALS.

TIPS FOR ASSEMBLY

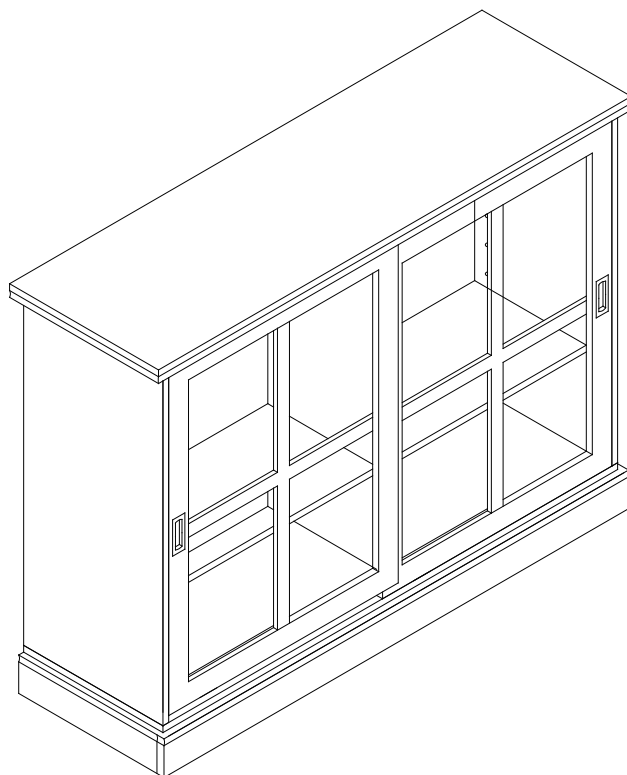
1. Allow ample room for assembly and in close proximity to where product will be placed.
2. Assemble the product on a surface that does not scratch or damage the exterior gloss and finish of the furniture.
3. Identify all of the parts, hardware and quantities required for each step.
4. During assembly, do not over-tighten any fittings as this may cause damage.
5. DO NOT USE POWER TOOLS TO ASSEMBLE THIS PRODUCT.
6. Always place the product on a flat, level surface.
7. Do not sit or stand on the partially assembled product; only use the product for which it is intended.

CARE AND MAINTENANCE

1. Wipe clean with a soft, dry cloth; avoid the use of harsh chemicals or household cleaners as they may damage the exterior finish of the furniture.
2. Hardware may loosen over time. Periodically, check that all connections are tight; re-tighten as necessary.
3. Solid wood is impacted by heat and humidity fluctuations which may cause small joint separations or hairline cracks; place the furniture away from direct sunlight and air conditioning vents, heating vents or units to protect the furniture.

ASSEMBLY INSTRUCTIONS

PADOVA CABINET



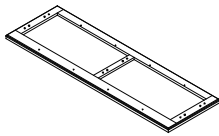
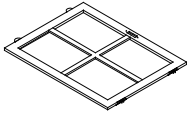
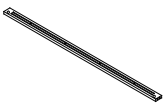
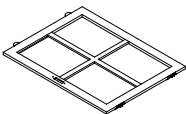
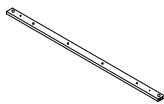
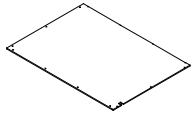
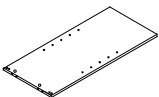
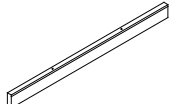
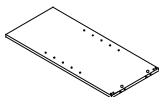
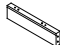
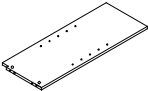

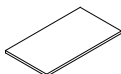
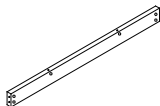
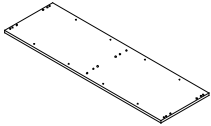
Hardware List

ITEM	DESCRIPTION	PART	QTY	ITEM	DESCRIPTION	PART	QTY
A	Cam-bolt	 6*35mm	26 pcs	I	Allen Key		1 pc
B	Cam-lock	 15*10mm	26 pcs	J	Handle Bolt	 4*12mm	4 pcs
C	Wood Dowel	 8*30mm	20 pcs	K	Shelf Pin		8 pcs
D	Screw	 2.5*10mm	24 pcs	L	Screw	 3.5*40mm	2 pcs
E	Screw	 4*12mm	2 pcs	M	Bracket		2 pcs
F	Screw	 4*25mm	8 pcs	N	Plastic Anchor		2 pcs
G	Handle		2 pcs	O	Sticker		8 pcs
H	Screw	 7*40mm	6 pcs				

ASSEMBLY INSTRUCTIONS

PADOVA CABINET

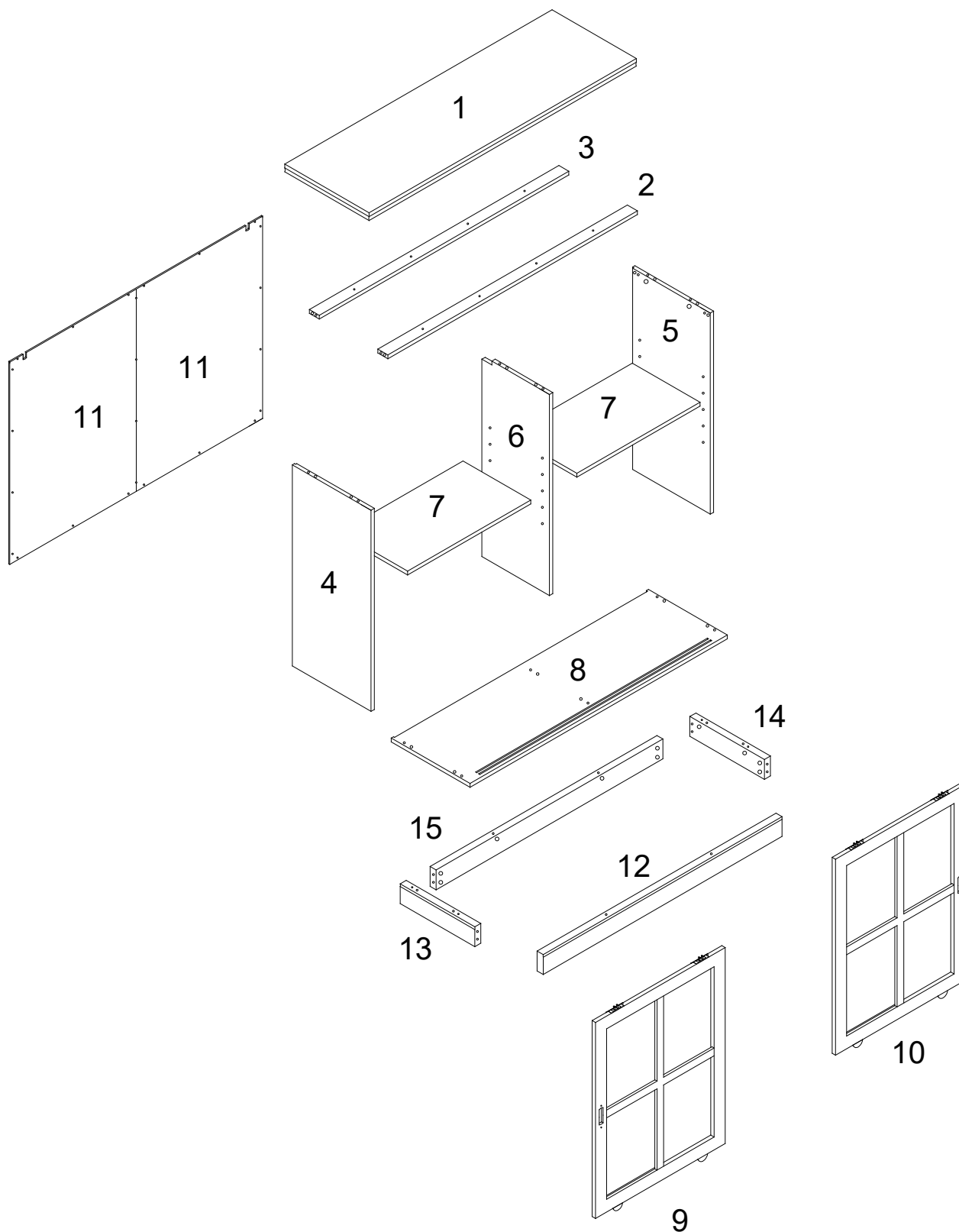
Parts List

ITEM	DESCRIPTION	PART	QTY	ITEM	DESCRIPTION	PART	QTY
1	Top Panel		1 pc	9	Left Door		1 pc
2	Top Front Connect Bar		1 pc	10	Right Door		1 pc
3	Top Back Connect Bar		1 pc	11	Back Panel		2 pcs
4	Left Panel		1 pc	12	Bottom Front Bar		1 pc
5	Right Panel		1 pc	13	Bottom Left Bar		1 pc
6	Divide Panel		1 pc	14	Bottom Right Bar		1 pc
7	Adjustable Shelf		2 pcs	15	Bottom Back Bar		1 pc
8	Bottom Panel		1 pc				

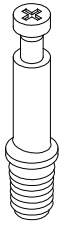
ASSEMBLY INSTRUCTIONS

PADOVA CABINET

ASSEMBLY OVERVIEW



INSTRUCTIONS FOR CAM-BOLT AND CAM-LOCK

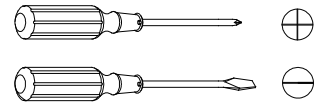


CAM-BOLT

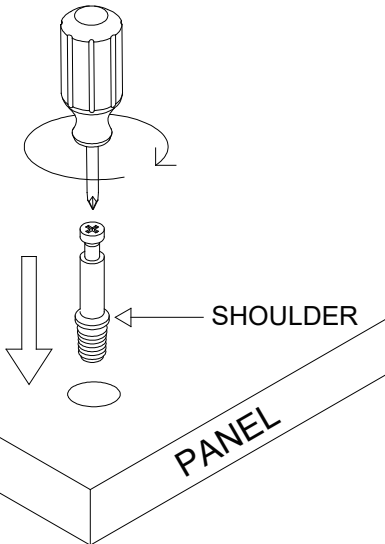


CAM-LOCK

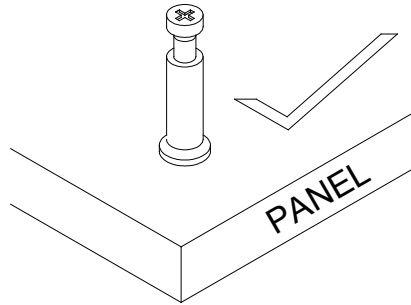
Tools Required



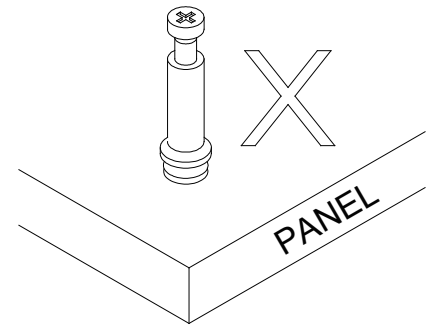
INSERTING AND TIGHTENING CAM-BOLT



Place Cam-bolt on pre-drilled hole and screw in vertically.



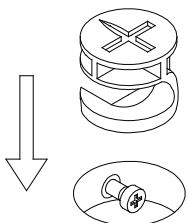
Shoulder is flushed (on the same level) with the panel.



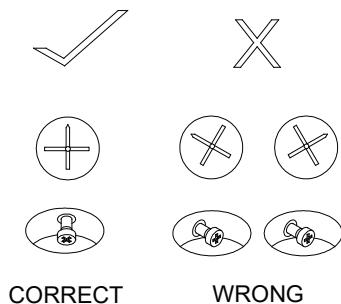
Shoulder is above the panel.

Place Cam-bolt to the designated pre-drilled holes on the panel. Use a Phillips Screwdriver to tighten Cam-bolt vertically until shoulder is flushed (on the same level) with panel. Do not over-tighten or under-tighten.

INSERTING CAM-LOCK



Insert Cam-lock with arrow align to Cam-bolt head.

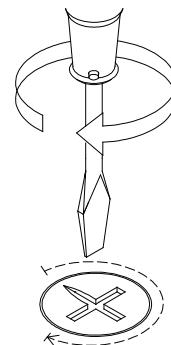


CORRECT

WRONG

Align the arrow on the Cam-lock to the Cam-bolt head and insert the Cam-lock. Ensure Cam-lock is fully inserted.




TIGHTENING CAM-LOCK

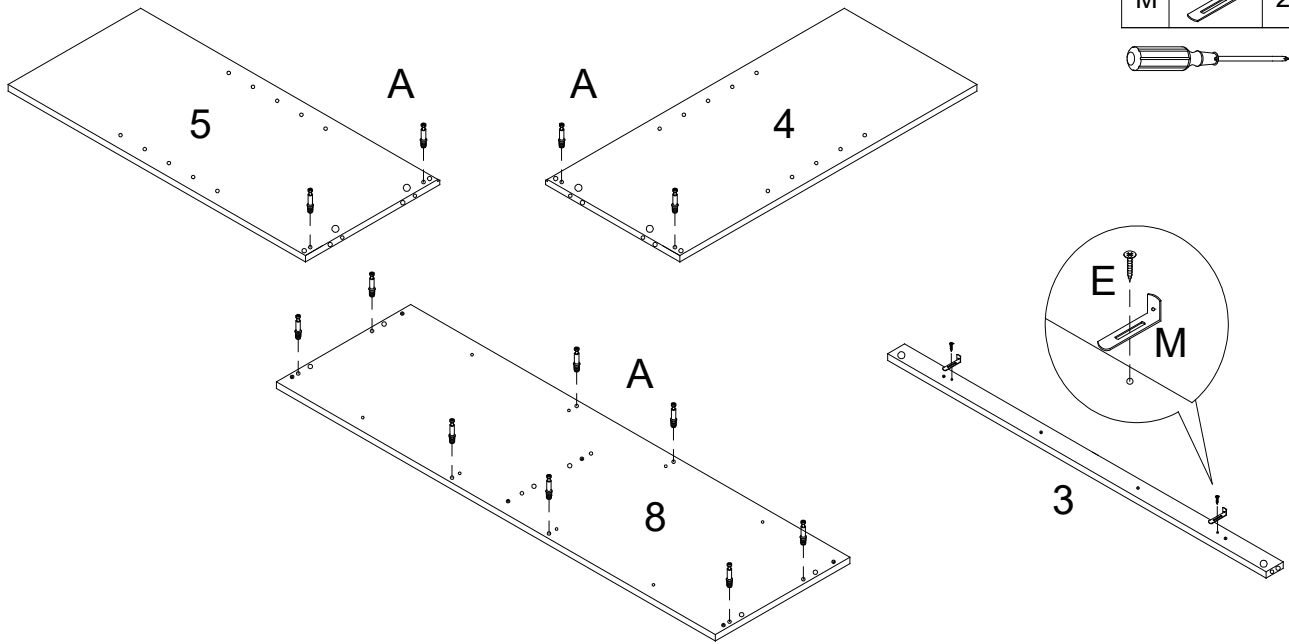
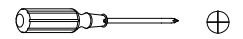


Use a Flat-head Screwdriver to turn Cam-lock clockwise so it locks onto the head of the Cam-bolt. Turn until it is snug (about 3/4ths of a turn) -- over-tightening could damage Cam-lock or/and Cam-bolt.

STEP 1




For Single Cabinet

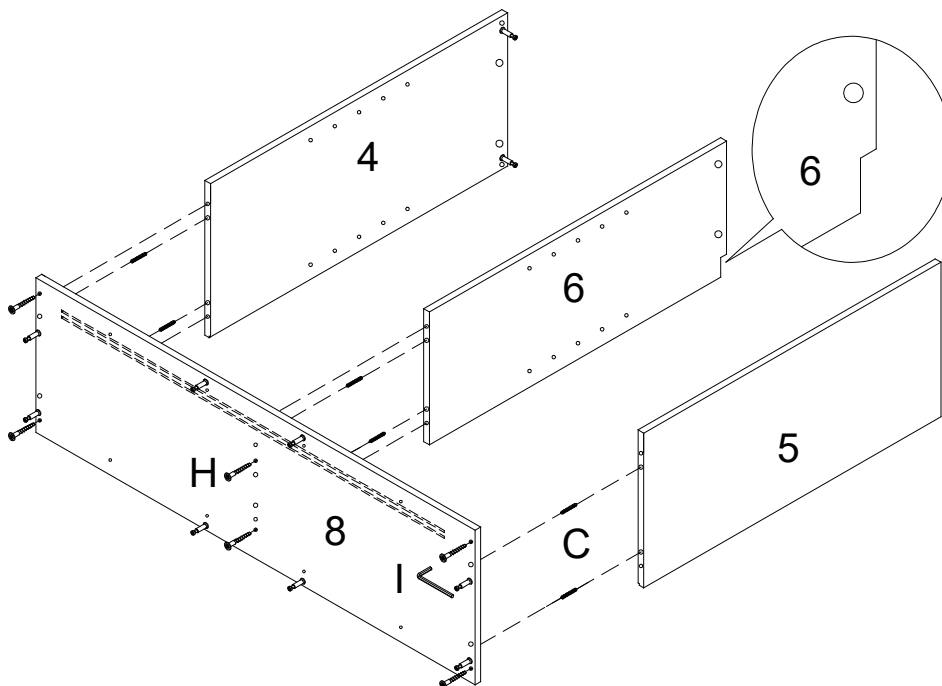
A		12 pcs
E		2 pcs
M		2 pcs



- Lay Top Back Connect Bar (3), Left Panel (4), Right Panel (5) and Bottom Panel (8) as shown on a material that does not scratch or damage the panels.
- Screw in Cam-bolt (A) into the designated holes on (4, 5 & 8). Refer to Page 5 for instructions on inserting and tightening Cam-bolt.
- Attach Bracket (M) to Top Back Connect Bar (3) with Screw (E). Ensure the bracket can slide.

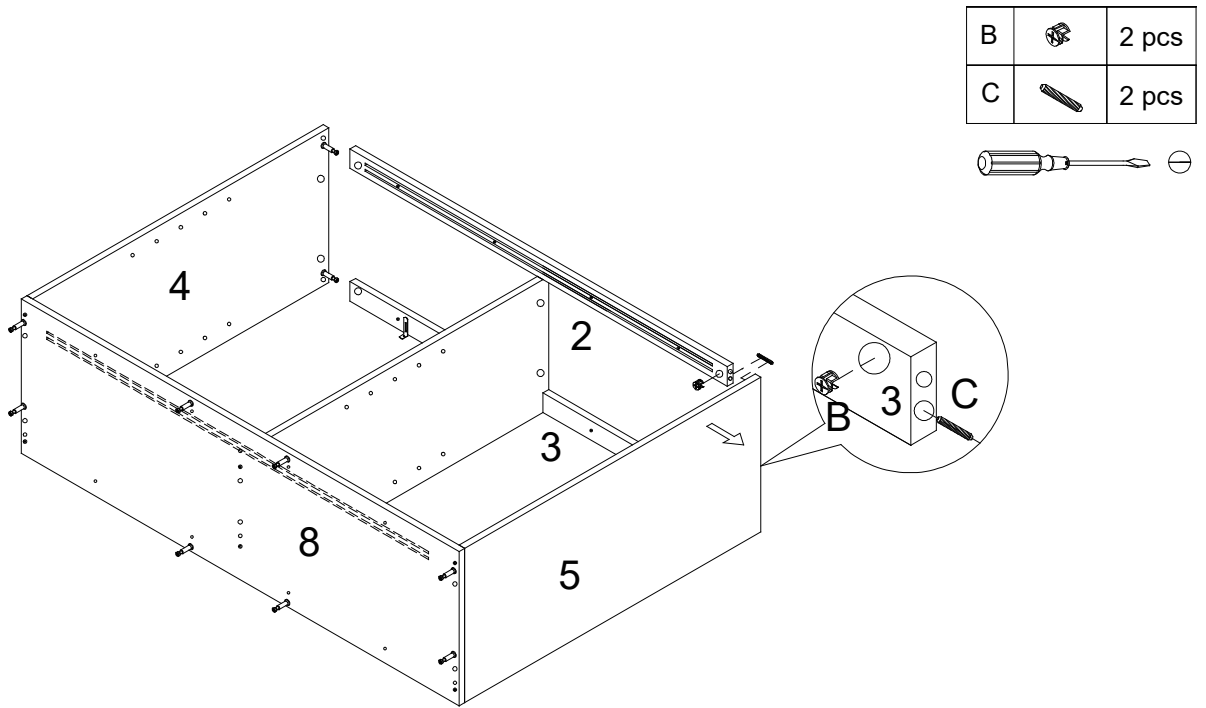
STEP 2

C		6 pcs
H		6 pcs
I		1 pcs



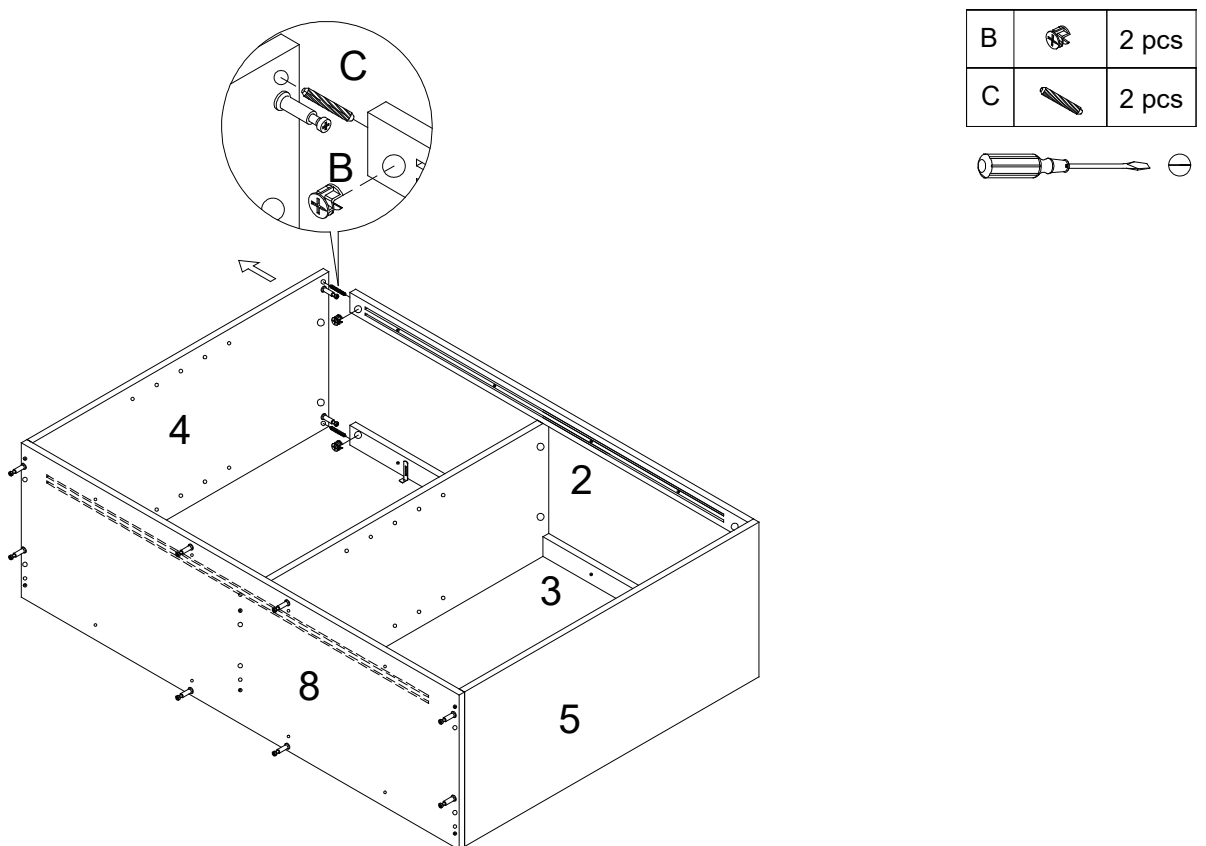
- Insert Wood Dowel (C) into the inner two holes on the bottom edge of Left Panel (4), Right Panel (5) and Divide Panel (6).
- Attach Bottom Panel via wood dowel on (4, 5 & 6).
- Fasten Bottom Panel (8) to (4, 5 & 6) with Screw (H). Drive and tighten (H) with Allen Key (I).

STEP 3



- Insert Wood Dowel (C) into the hole at each end of Top Front & Back Connect Bar (2 & 3).
- Pull Side Panel (5) outward slightly. Attach (2 & 3) to (5) via wood dowel and cam-bolt on (5).
- Insert Cam-lock (B) into the holes on (2 & 3) then turn clockwise to lock onto Cam-bolt. Refer to Page 5 for instructions on inserting and tightening Cam-lock.

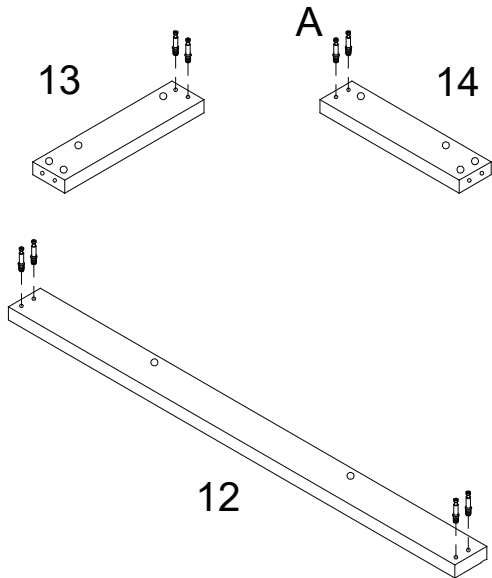
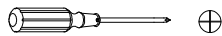
STEP 4



- Insert Wood Dowel (C) into the hole at each end of Top Front & Back Connect Bar (2 & 3).
- Pull Side Panel (4) outward slightly. Attach (2 & 3) to (4) via wood dowel and cam-bolt on (4).
- Insert Cam-lock (B) into the holes on (2 & 3) then turn clockwise to lock onto Cam-bolt. Refer to Page 5 for instructions on inserting and tightening Cam-lock.

STEP 5

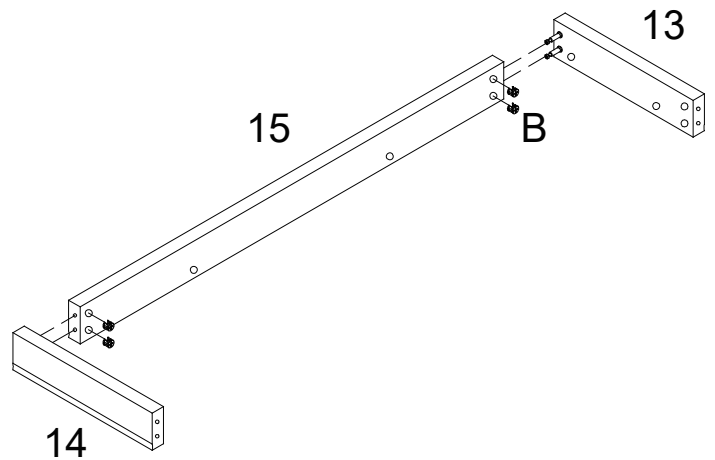
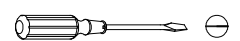
A		8 pcs
---	----------------------------------------------------------------------------------	-------



- Lay Bottom Front Bar (12), Bottom Left Bar (13), and Bottom Right Bar (14) as shown on a material that does not scratch or damage the parts.
- Screw in Cam-bolt (A) into the designated holes on (12, 13 & 14).

STEP 6

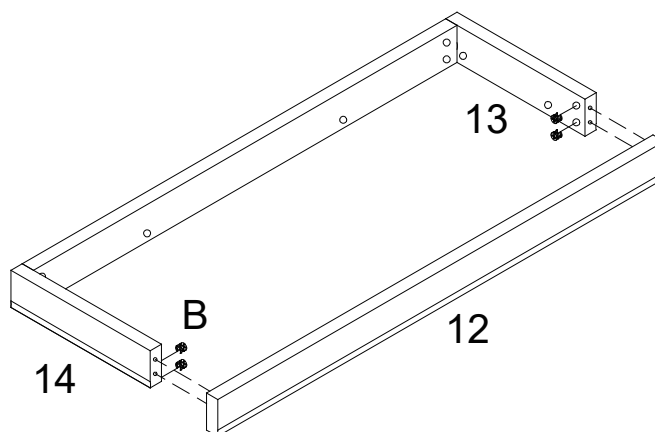
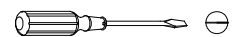
B		4 pcs
---	------------------------------------------------------------------------------------	-------



- Attach Bottom Left and Right Bar (13 & 14) to Bottom Back Bar (15) via cam-bolts on (13 & 14).
- Insert Cam-lock (B) into the holes on (2 & 3) then turn clockwise to lock onto Cam-bolt.

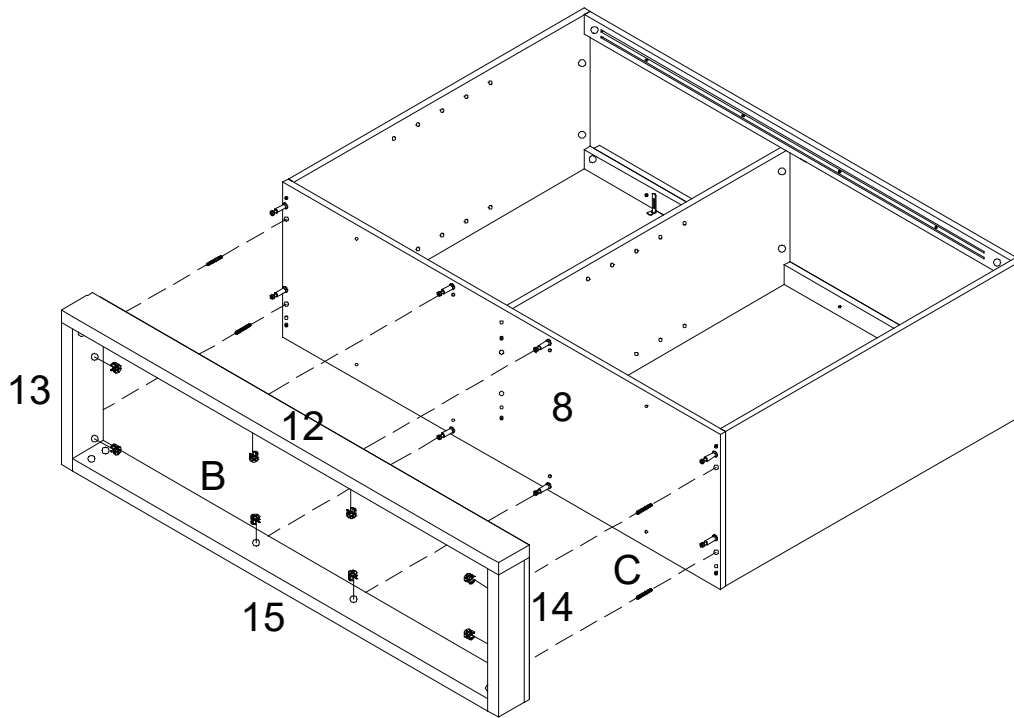
STEP 7



B		4 pcs
---	---------------------------------------------------------------------------------------	-------



- Attach Bottom Front Bar (12) to Bottom Left and Right Bar (13 & 14) via cam-bolts on (12).
- Insert Cam-lock (B) into the holes on (13 & 14) then turn clockwise to lock onto Cam-bolt.

STEP 8



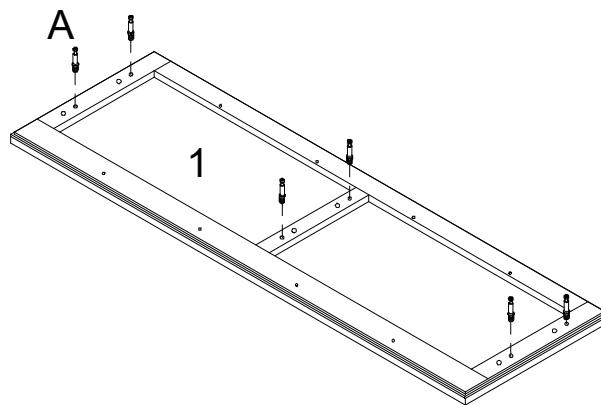
B		8 pcs
C		4 pcs



- Insert Wood Dowel (C) into the inner two holes on the top edge of Bottom Left and Right Bar (13 & 14).
- Attach bottom frame (12,13,14 & 15) from STEP 7 to Bottom Panel (8) via wood dowel and cam-bolts on (8).
- Insert Cam-lock (B) into the holes on (12, 13, 14 & 15) then turn clockwise to lock onto Cam-bolt.




STEP 9

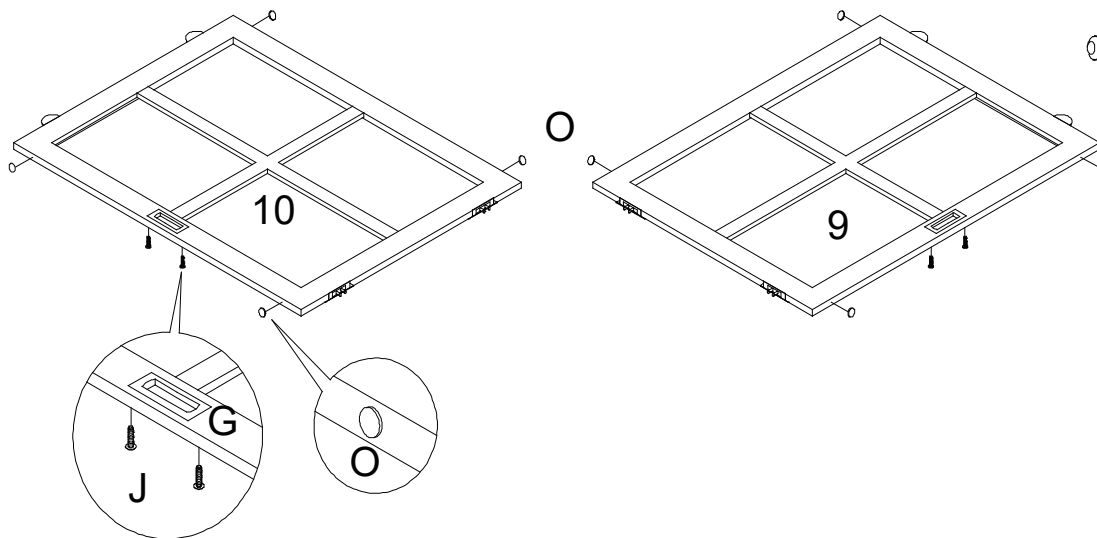
A		6 pcs
---	---------------------------------------------------------------------------------------	-------



- Lay Top Panel (1) as shown on a material that does not scratch or damage the panels.
- Screw in Cam-bolt (A) into the designated holes on (1).

STEP 10



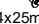
G		2 pcs
J		4 pcs
O		8 pcs

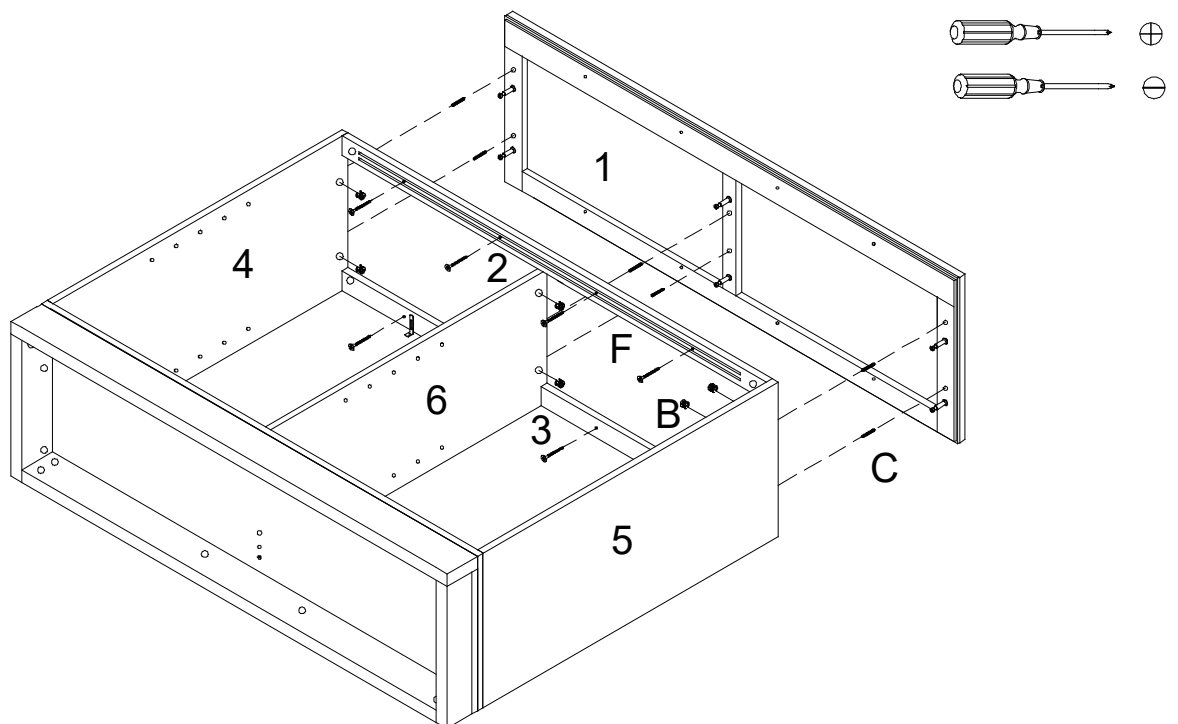


- Attach Handle (G) to Door (9 & 10) with Handle Bolt (J).
- Stick the Sticker (O) to Door (9 & 10) as shown.

STEP 11

Please skip to Step 16 if for Stackable Cabinet

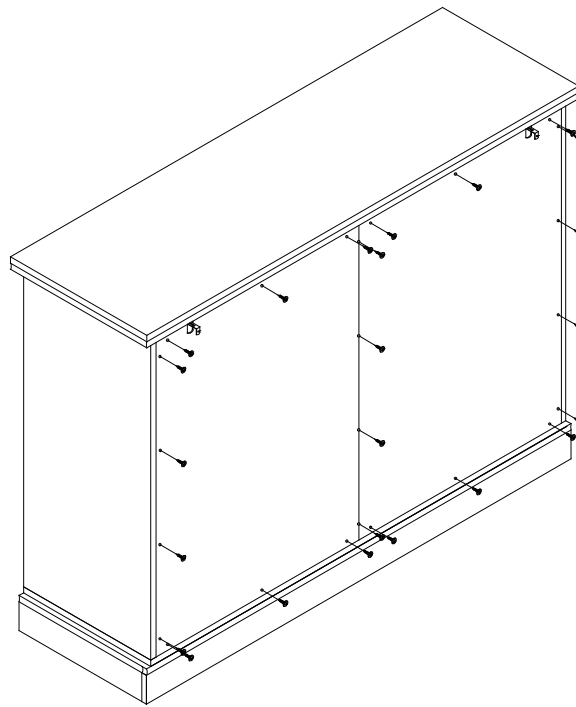
B		6 pcs
C		6 pcs
F		8 pcs 4x25mm



- From the assembly in STEP 8, insert Wood Dowel (C) into the inner two holes on the top edge of Left Panel (4), Right Panel (5) and Divide Panel (6).
- Attach Top Panel (1) to (4, 5 & 6) via wood dowel and cam-bolts on (1).
- Insert Cam-lock (B) into the holes on (4, 5, & 6) then turn clockwise to lock onto Cam-bolt.
- Affix Top Connect Bar (2 & 3) to (1) with Screw (F).



STEP 12

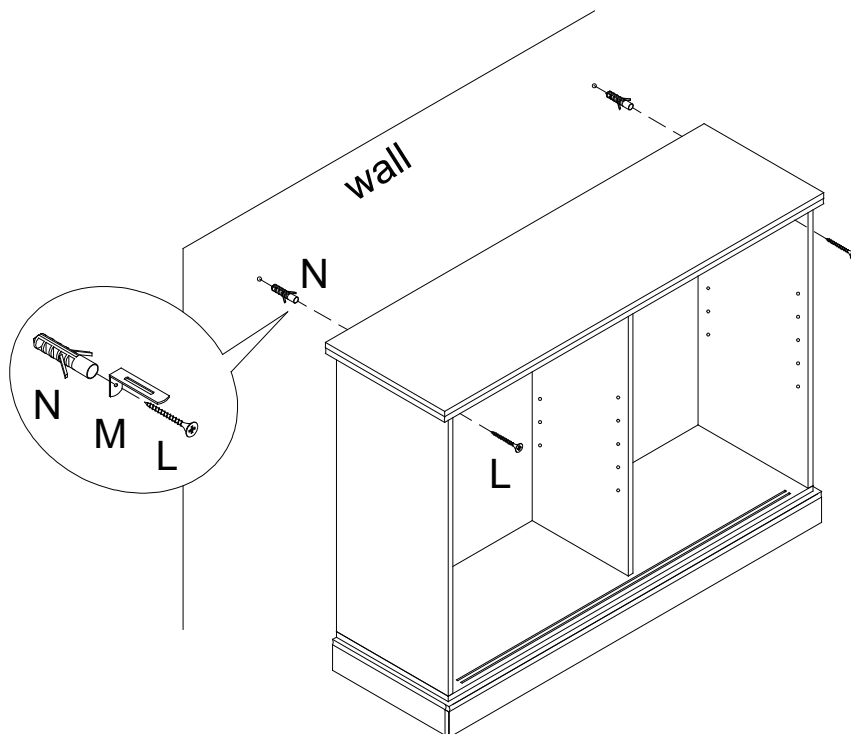
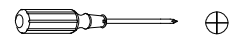
D		24 pcs
2.5x10mm		



- Fit Back Panel (16) squarely to the back of the unit.
- Fasten (16) with Screw (D) at each pilot hole location as indicated.


STEP 13

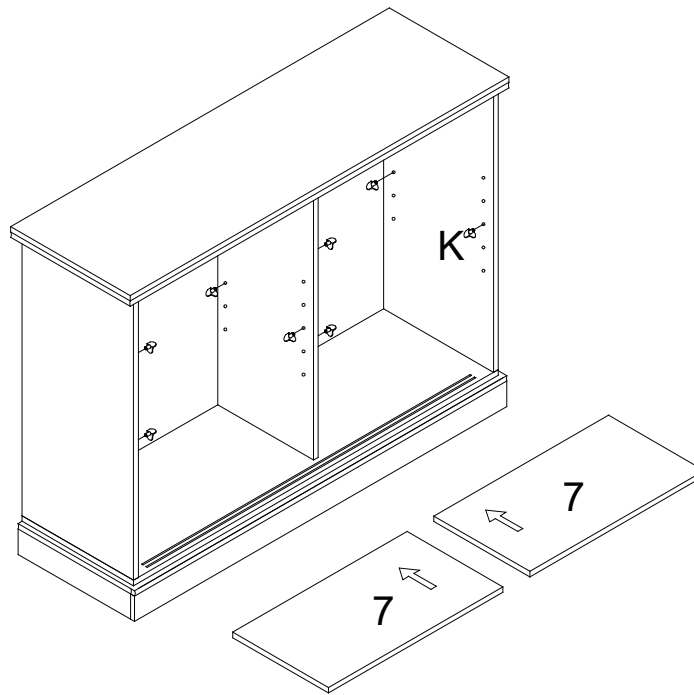
L		2 pcs
N		2 pcs



- Drill two holes in the dry wall as per the length and diameter of Plastic Anchor (N) and the distance between the holes and the height need to be the same as the screw holes on Bracket (M).
- Press (N) into the 2 drilled holes. Ensure that the anchor fits securely in the wall.
- Drive Screw (L) through the screw hole on Bracket (M) into the screw hole on (N) to secure the Cabinet to the wall.

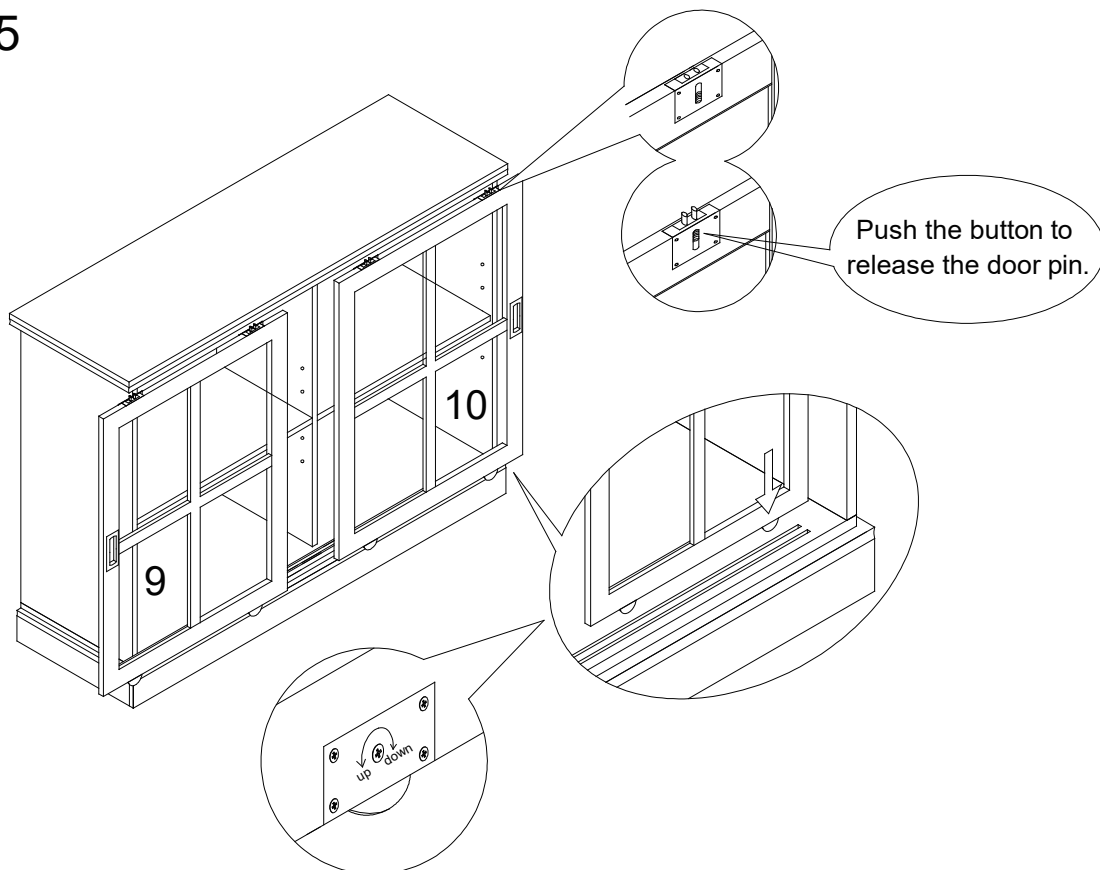
STEP 14

K		8 pcs
---	------------------------------------------------------------------------------------	-------



- Insert Shelf Pin (K) into the designated holes on the same level at the desired height on the side and divide panels.
- Place Adjustable Shelf (7) by tilting it to fit between side panels and then level it to sit on Shelf Pin (K).

STEP 15


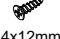



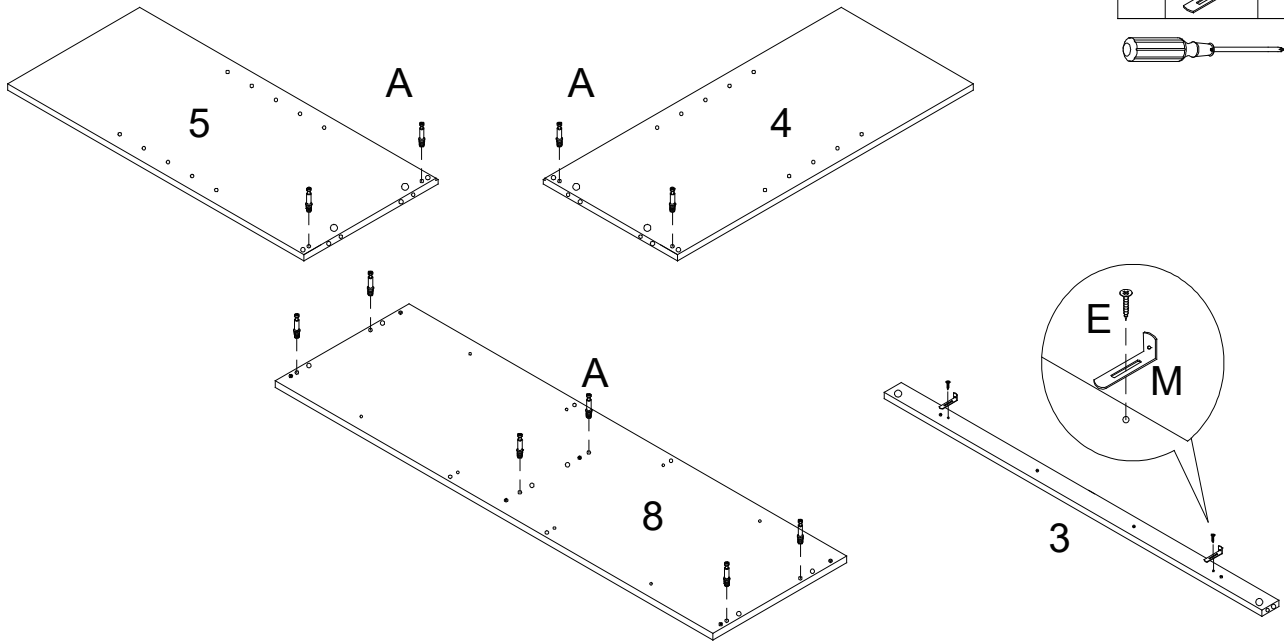
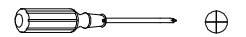
Fit protruding wheels of the sliding door (9 & 10) into the individual groove on the Bottom Panel as shown and release the the door pin at the top of the door into the respective groove on the Top Front Connect Bar.
Important: Turn the middle screw to adjust the height of wheel as shown to adjust the height of the door for proper fitting.

The assembly of the Single Cabinet is complete.

STEP 16




For Stackable Cabinet

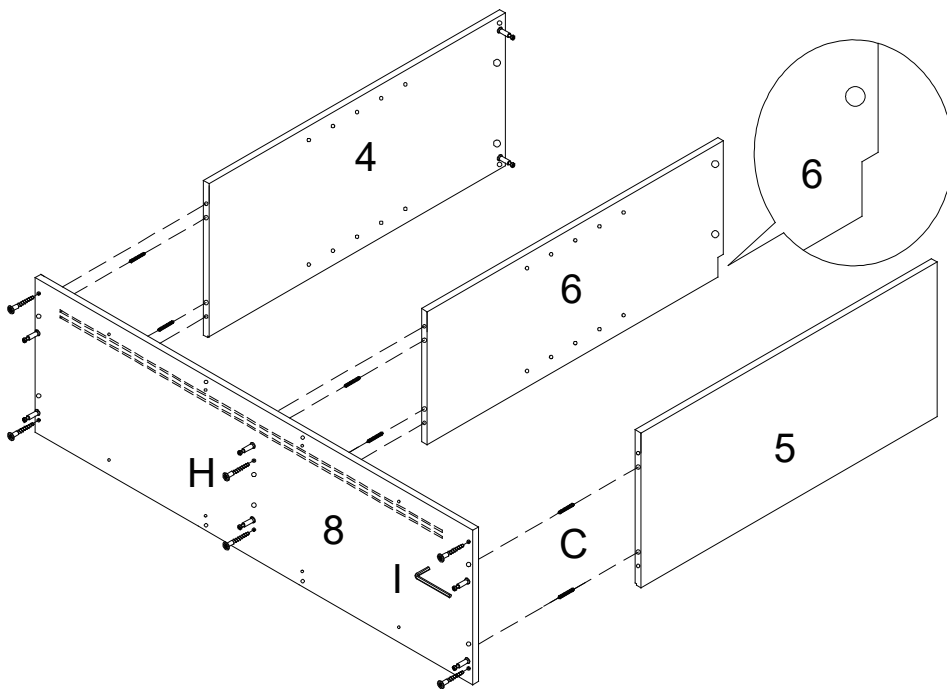
A		10 pcs
E		2 pcs
M		2 pcs



- Lay Top Back Connect Bar (3), Left Panel (4), Right Panel (5) and Bottom Panel (8) as shown on a material that does not scratch or damage the panels.
- Screw in Cam-bolt (A) into the designated holes on (4, 5 & 8). Refer to Page 5 for instructions on inserting and tightening Cam-bolt.
- Attach Bracket (M) to Top Back Connect Bar (3) with Screw (E). Ensure the bracket can slide.

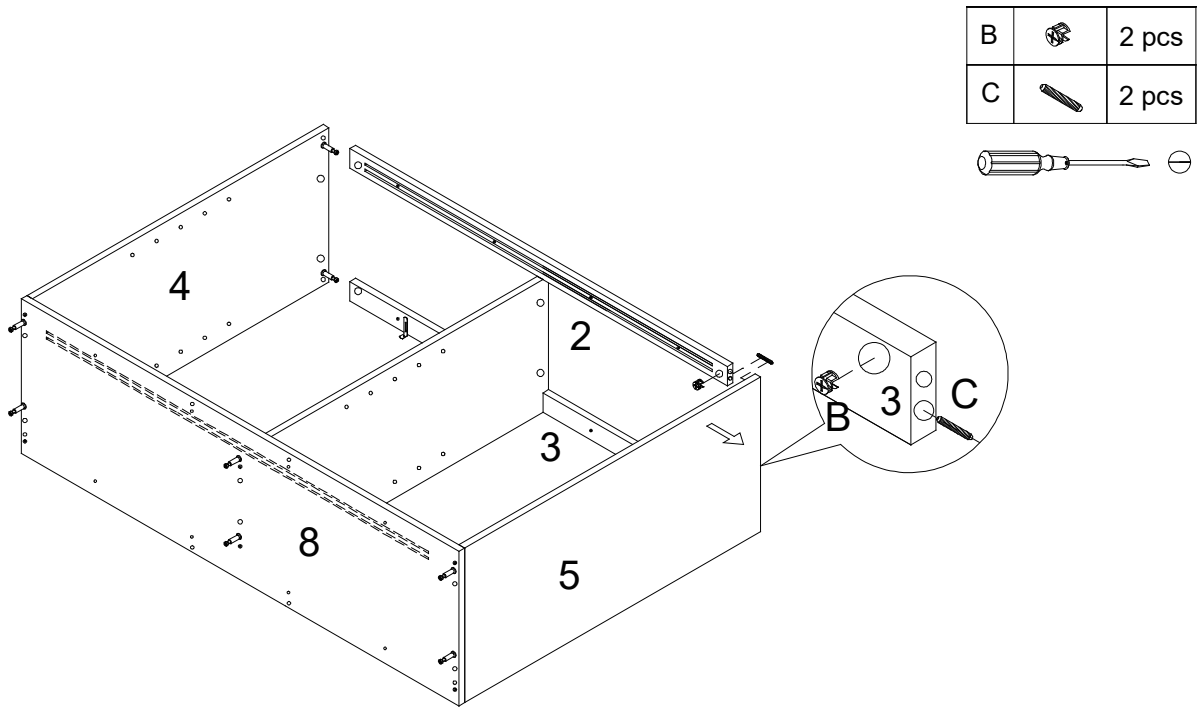
STEP 17

C		6 pcs
H		6 pcs
I		1 pcs



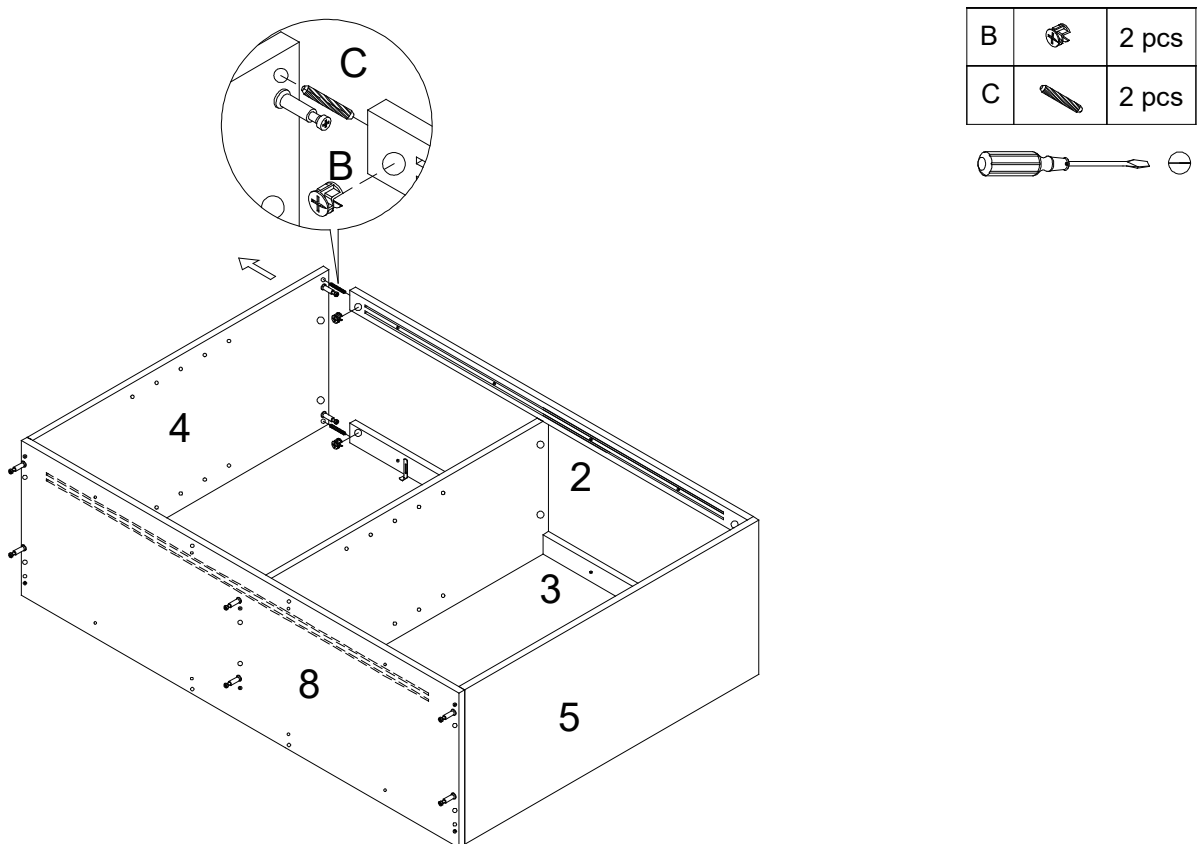
- Insert Wood Dowel (C) into the inner two holes on the bottom edge of Left Panel (4), Right Panel (5) and Divide Panel (6).
- Attach Bottom Panel via wood dowel on (4, 5 & 6).
- Fasten Bottom Panel (8) to (4, 5 & 6) with Screw (H). Drive and tighten (H) with Allen Key (I).

STEP 18






- Insert Wood Dowel (C) into the hole at each end of Top Front & Back Connect Bar (2 & 3).
- Pull Side Panel (5) outward slightly. Attach (2 & 3) to (5) via wood dowel and cam-bolt on (5).
- Insert Cam-lock (B) into the holes on (2 & 3) then turn clockwise to lock onto Cam-bolt. Refer to Page 5 for instructions on inserting and tightening Cam-lock.

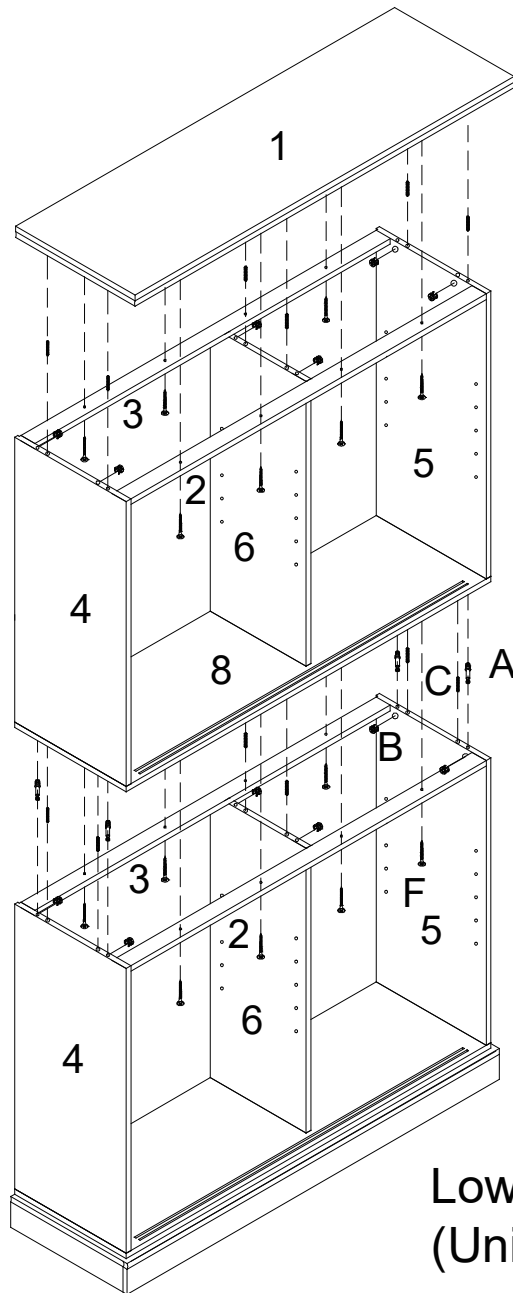
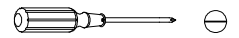
STEP 19



- Insert Wood Dowel (C) into the hole at each end of Top Front & Back Connect Bar (2 & 3).
- Pull Side Panel (4) outward slightly. Attach (2 & 3) to (4) via wood dowel and cam-bolt on (4).
- Insert Cam-lock (B) into the holes on (2 & 3) then turn clockwise to lock onto Cam-bolt. Refer to Page 5 for instructions on inserting and tightening Cam-lock.

STEP 20

B		12 pcs
C		12 pcs
F	 4x25mm	16 pcs

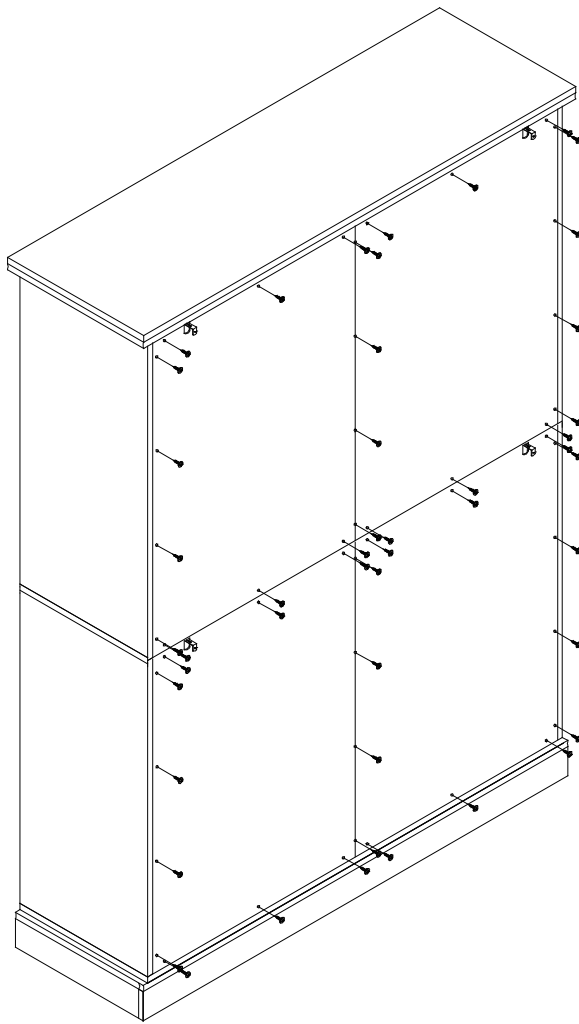



Upper Cabinet
(Unit from STEP 19)

Lower Cabinet
(Unit from STEP 8)

- Insert Wood Dowel (C) into the inner two holes on the top edge of Left Panel (4), Right Panel (5) and Divide Panel (6).
- With assistance, carefully set the unit from STEP 8 as shown.
- Attach the unit from STEP 19 to the unit from STEP 8 via wood dowels and cam-bolts on (8).
- Attach Top Panel (1) to (4, 5 & 6) via wood dowels and cam-bolts on (1).
- Insert Cam-lock (B) into the holes on (4, 5, & 6) then turn clockwise to lock onto Cam-bolt.
- Affix Top Connect Bar (2 & 3) to (1 & 8) with Screw (F).

STEP 21

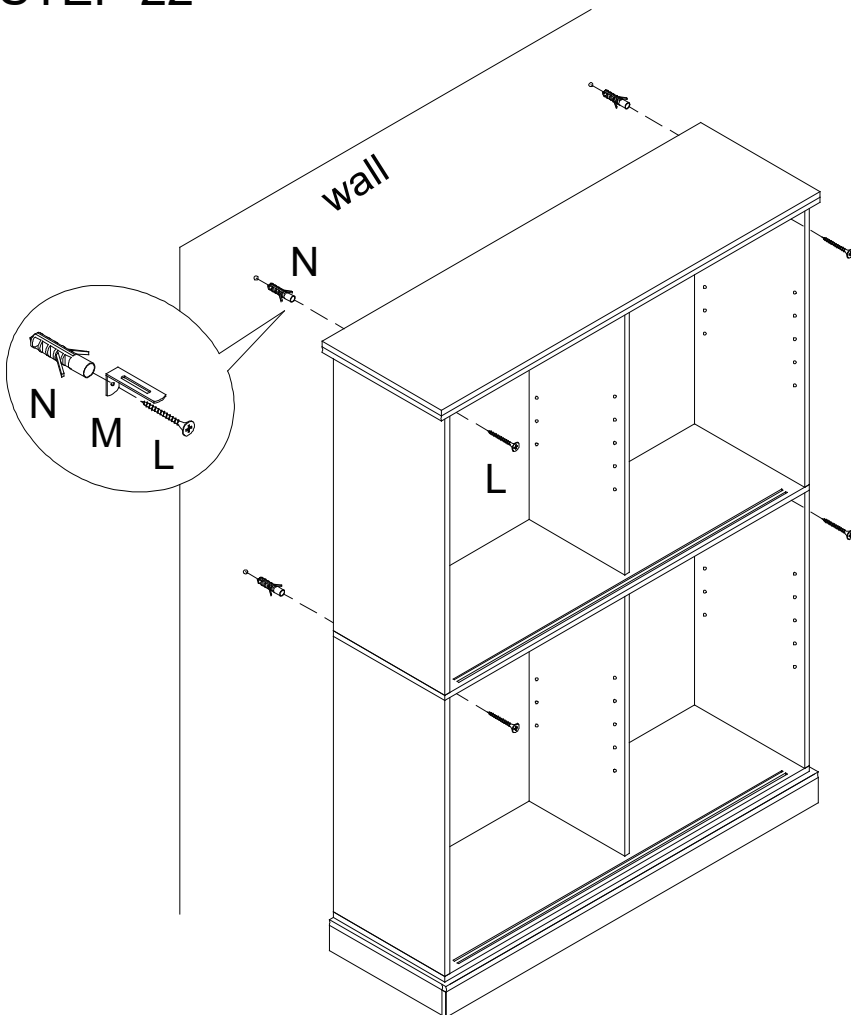




D		48 pcs
2.5x10mm		



- Fit Back Panel (16) squarely to the back of the upper and lower unit.
- Fasten (16) with Screw (D) at each pilot hole location as indicated.

STEP 22




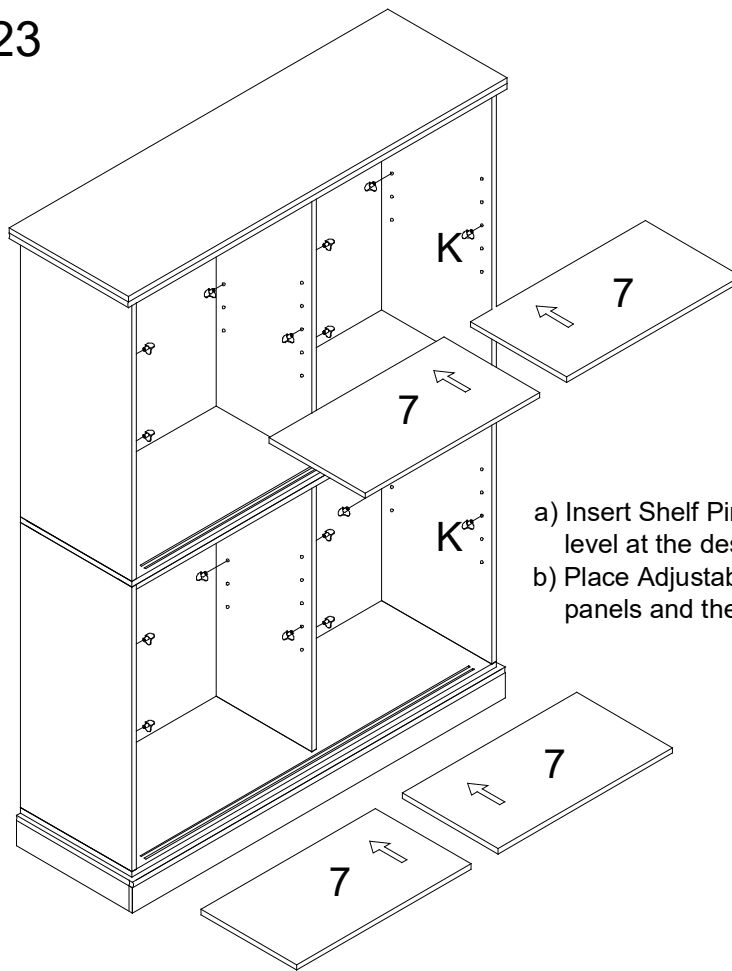
L		4 pcs
N		4 pcs



- Drill four holes in the dry wall as per the length and diameter of Plastic Anchor (N) and the distance between the holes and the height need to be the same as the screw holes on Bracket (M).
- Press (N) into the 4 drilled holes. Ensure that the anchor fits securely in the wall.
- Drive Screw (L) through the screw hole on Bracket (M) into the screw hole on (N) to secure the Cabinet to the wall.

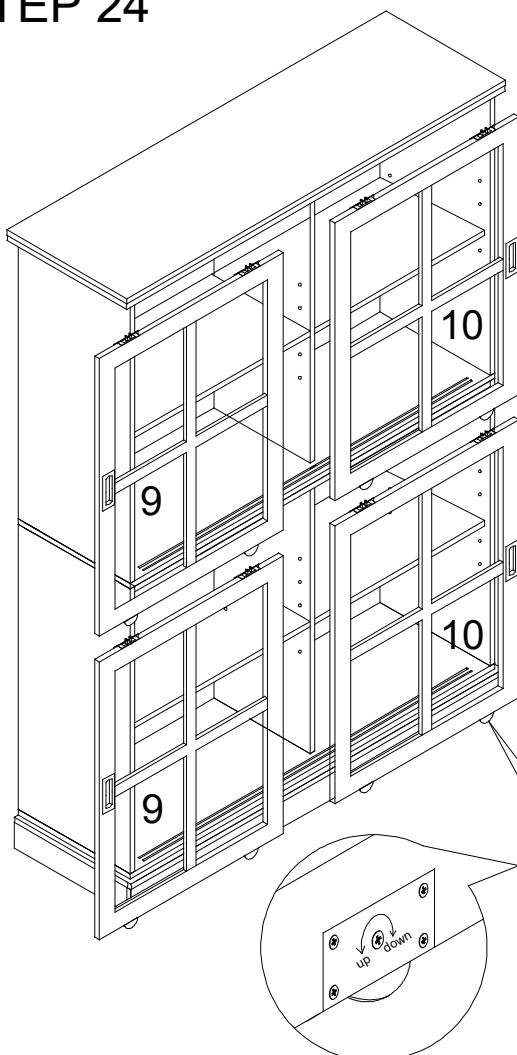
STEP 23

K		16 pcs
---	------------------------------------------------------------------------------------	--------



- Insert Shelf Pin (K) into the designated holes on the same level at the desired height on the side and divide panels.
- Place Adjustable Shelf (7) by tilting it to fit between side panels and then level it to sit on Shelf Pin (K).

STEP 24



Fit protruding wheels of the sliding door (9 & 10) into the individual groove on the Bottom Panel as shown and release the the door pin at the top of the door into the respective groove on the Top Front Connect Bar.

Important: Turn the middle screw to adjust the height of wheel as shown to adjust the height of the door for proper fitting.

Push the button to release the door pin.

The assembly of the Stackable Cabinet is complete.