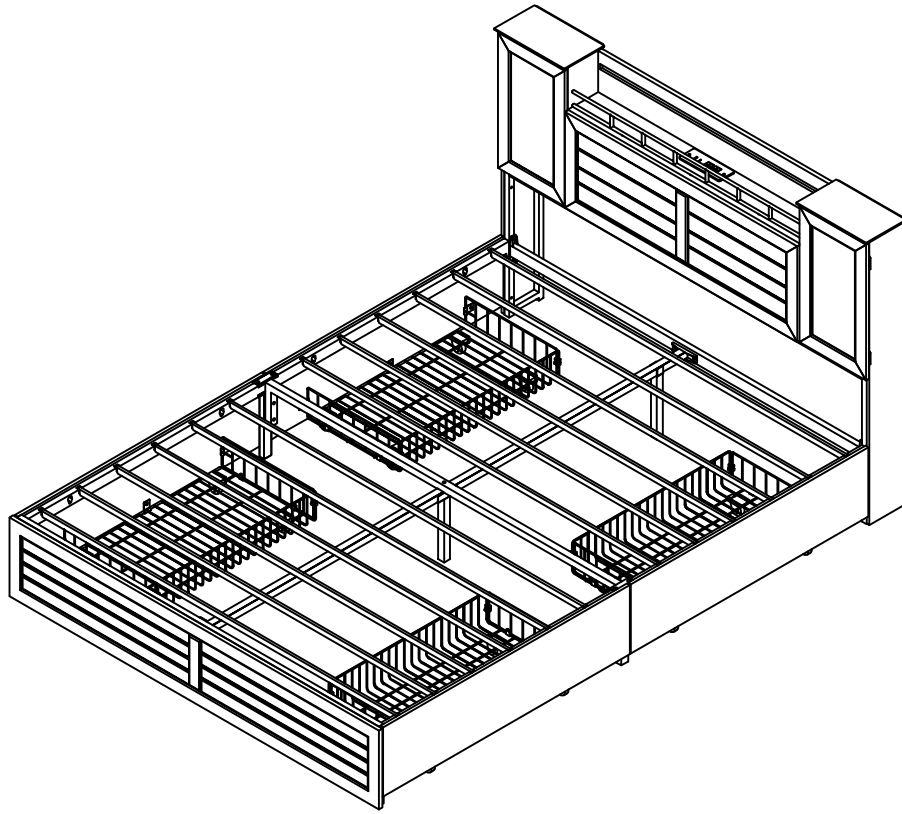


Version:1.0

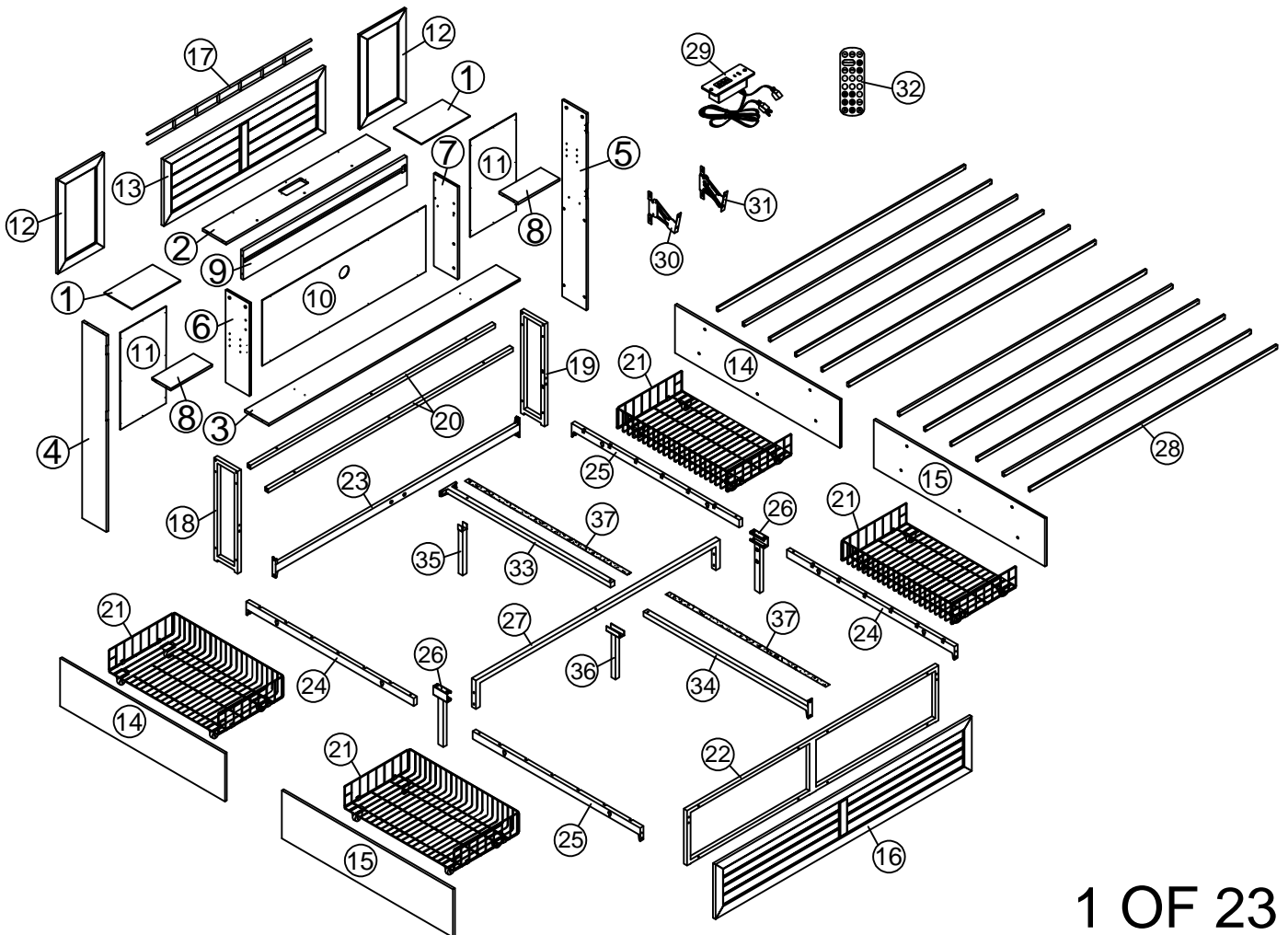


Note:

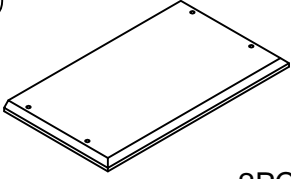
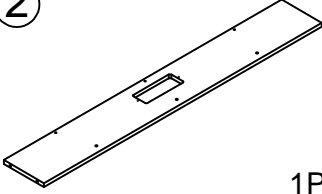
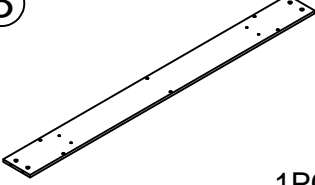


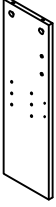

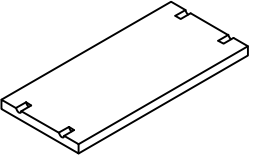
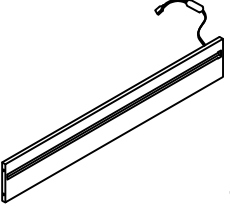
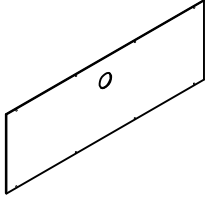
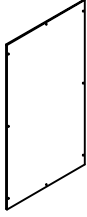
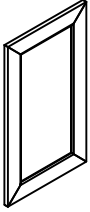
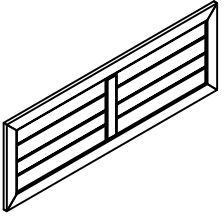
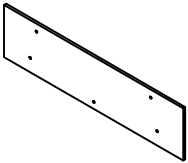
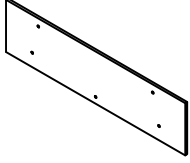
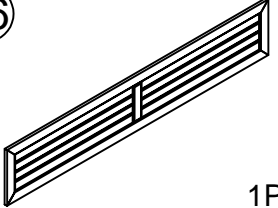
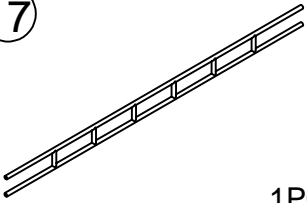
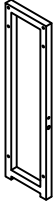

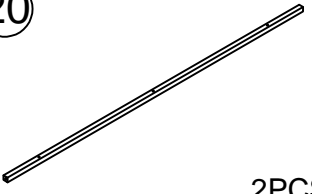
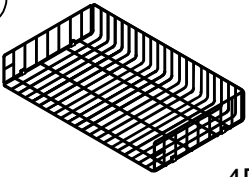
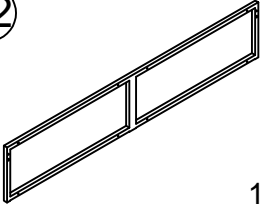
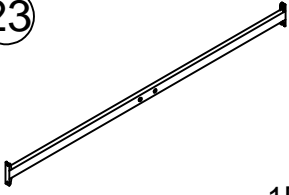
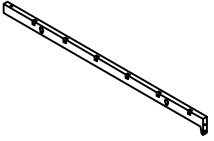
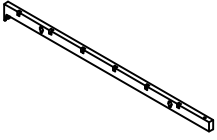
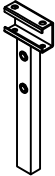
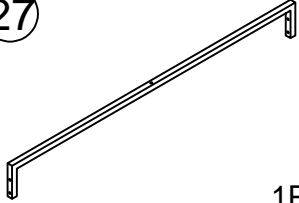
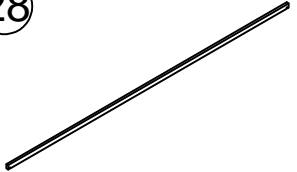
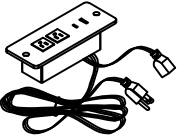
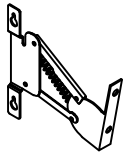
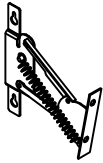

Should be assembled on flat ground to keep balance.

It needs at least two people to install.

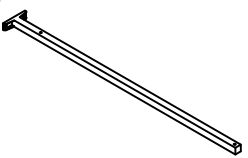
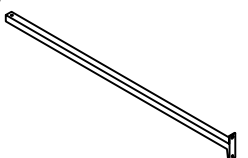

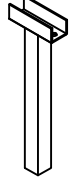
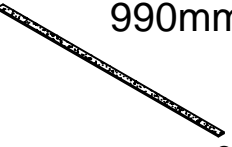
Before starting the assembly, you must read the whole manual and follow the instructions.




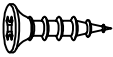

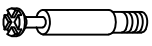

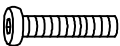
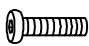


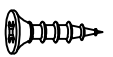

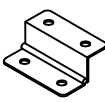
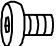



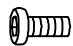
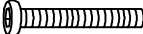

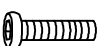
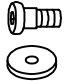
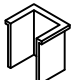

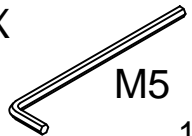

Part list

①  2PCS	②  1PC	③  1PC	④  1PC
⑤  1PC	⑥  1PC	⑦  1PC	⑧  2PCS
⑨  1PC	⑩  1PC	⑪  2PCS	⑫  2PCS
⑬  1PC	⑭  2PCS	⑮  2PCS	⑯  1PC
⑰  1PC	⑱  1PC	⑲  1PC	⑳  2PCS
㉑  4PCS	㉒  1PC	㉓  1PC	㉔  2PCS
㉕  2PCS	㉖  2PCS	㉗  1PC	㉘  12PCS
㉙  1PC	㉚  1PC	㉛  1PC	㉜  1PC

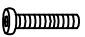

Part list

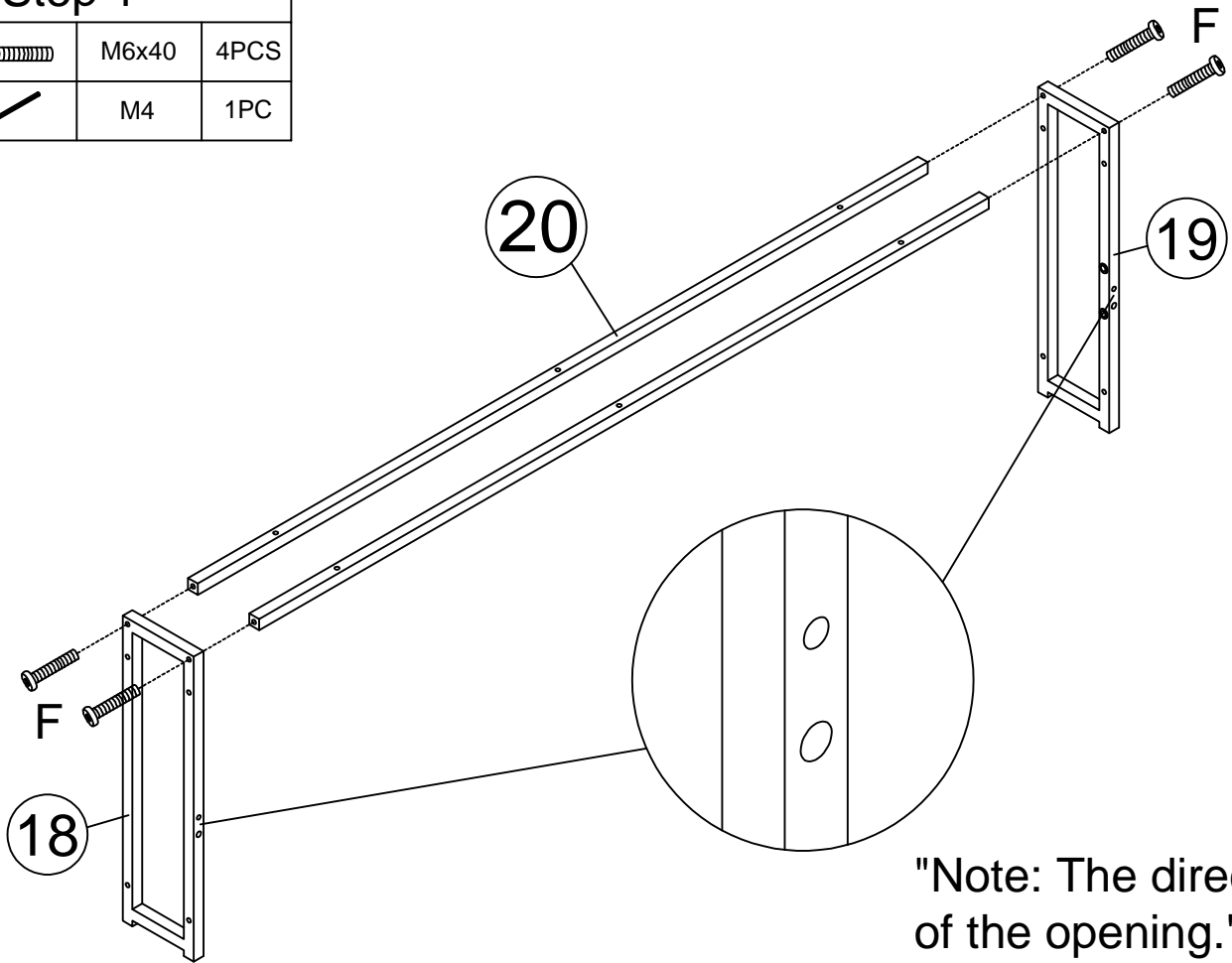
 <p>33 1PC</p>	 <p>34 1PC</p>	 <p>35 1PC</p>	 <p>36 1PC</p>
 <p>37 990mm 2PCS</p>			

Hardware list

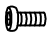

<p>A</p>  <p>2PCS</p>	<p>B M3x14</p>  <p>4PCS</p>	<p>C M5x40</p>  <p>7PCS</p>	<p>D</p>  <p>20+2PCS</p>	<p>E</p>  <p>20+2PCS</p>
<p>F M6x40</p>  <p>12+1PCS</p>	<p>G M6x28</p>  <p>22+2PCS</p>	<p>H M6x18</p>  <p>7PCS</p>	<p>I</p>  <p>8PCS</p>	<p>J M3.5x12</p>  <p>44+4PCS</p>
<p>K</p>  <p>2PCS</p>	<p>L</p>  <p>4PCS</p>	<p>M M6x10</p>  <p>20+2PCS</p>	<p>N</p>  <p>16PCS</p>	<p>O</p>  <p>8PCS</p>
<p>P</p>  <p>12PCS</p>	<p>Q M8x16</p>  <p>8PCS</p>	<p>R M8x55</p>  <p>5PCS</p>	<p>S M6x20</p>  <p>4PCS</p>	<p>T M8x35</p>  <p>7PCS</p>
<p>U</p>  <p>8PCS</p>	<p>V</p>  <p>24+3PCS</p>	<p>W M4</p>  <p>2PCS</p>	<p>X M5</p>  <p>1PC</p>	<p>Y M4</p>  <p>1PC</p>

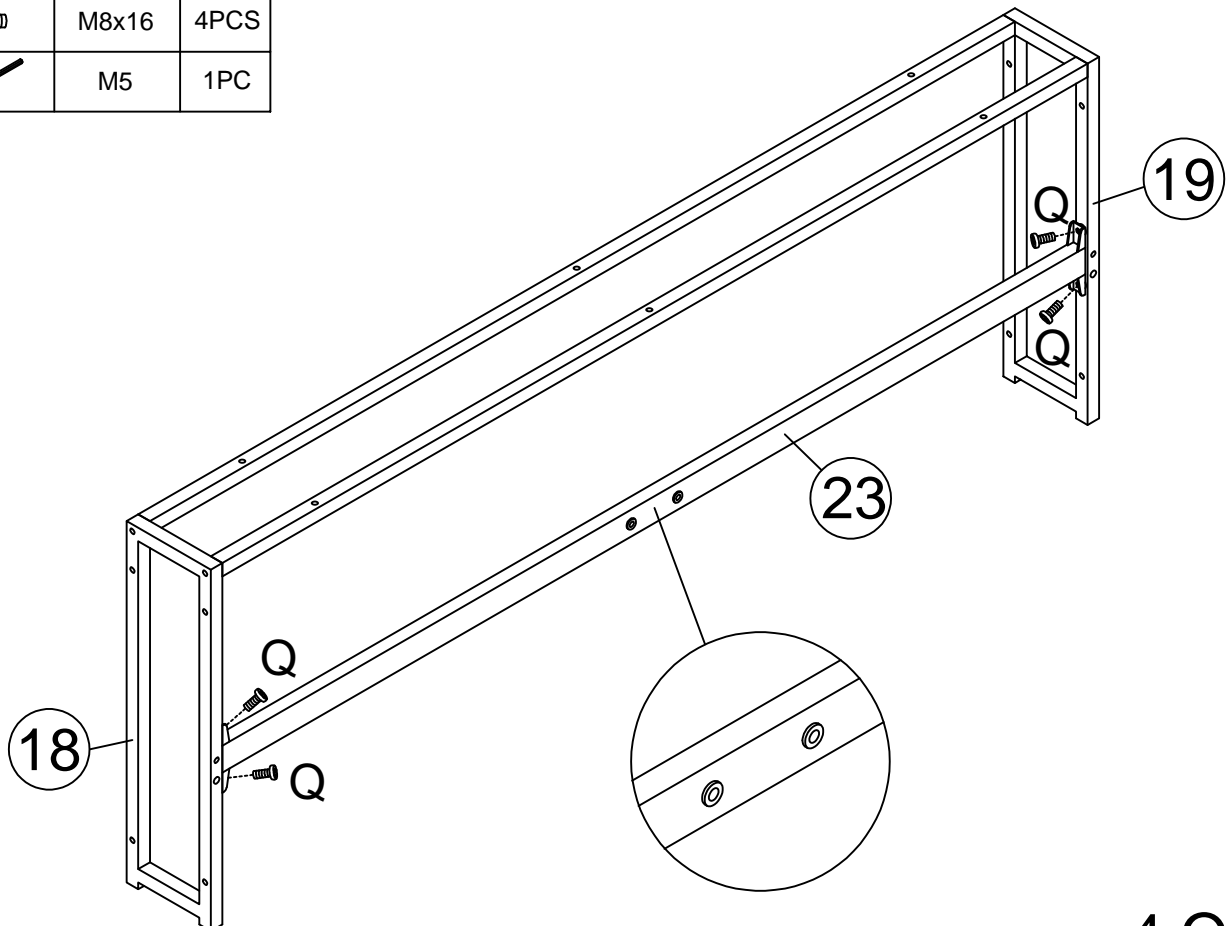
Step 1

F		M6x40	4PCS
W		M4	1PC





Step 2

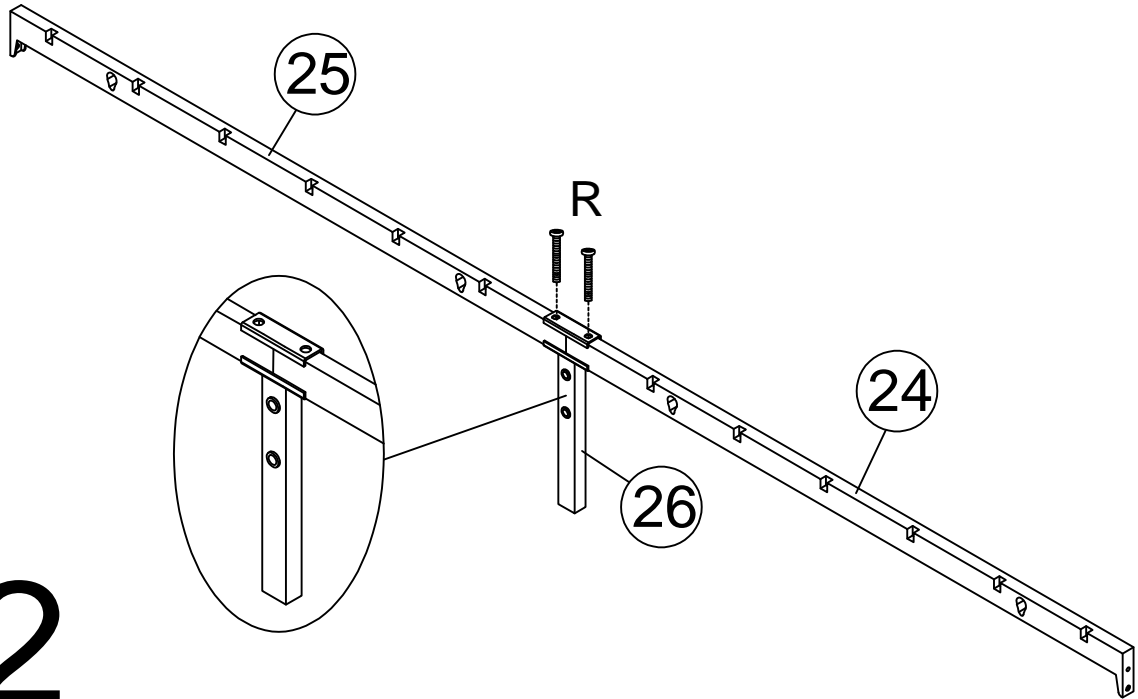
Q		M8x16	4PCS
X		M5	1PC



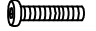

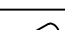
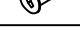
Step 3

R		M8x55	4PCS
X		M5	1PC

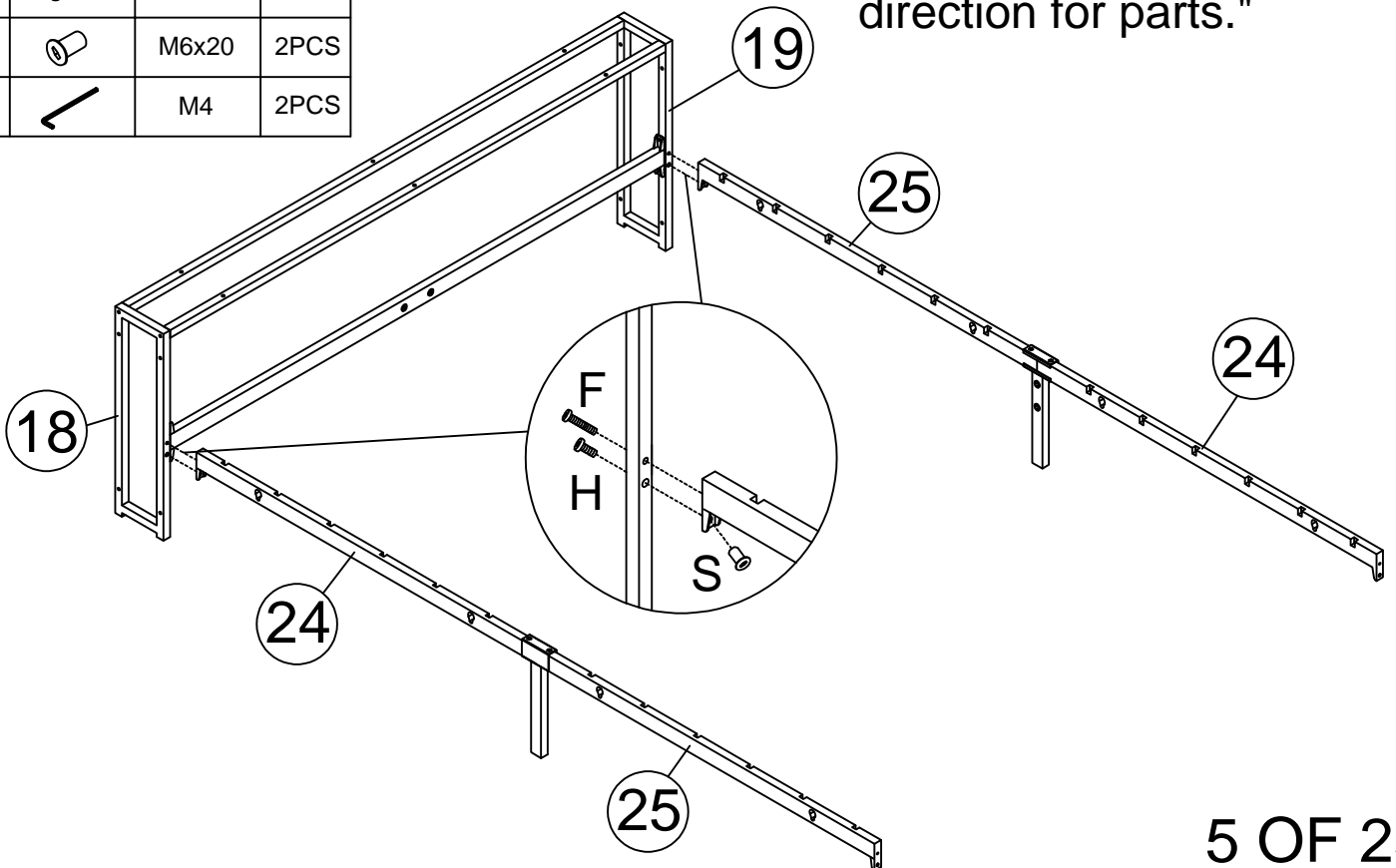
X2



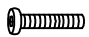



Step 4

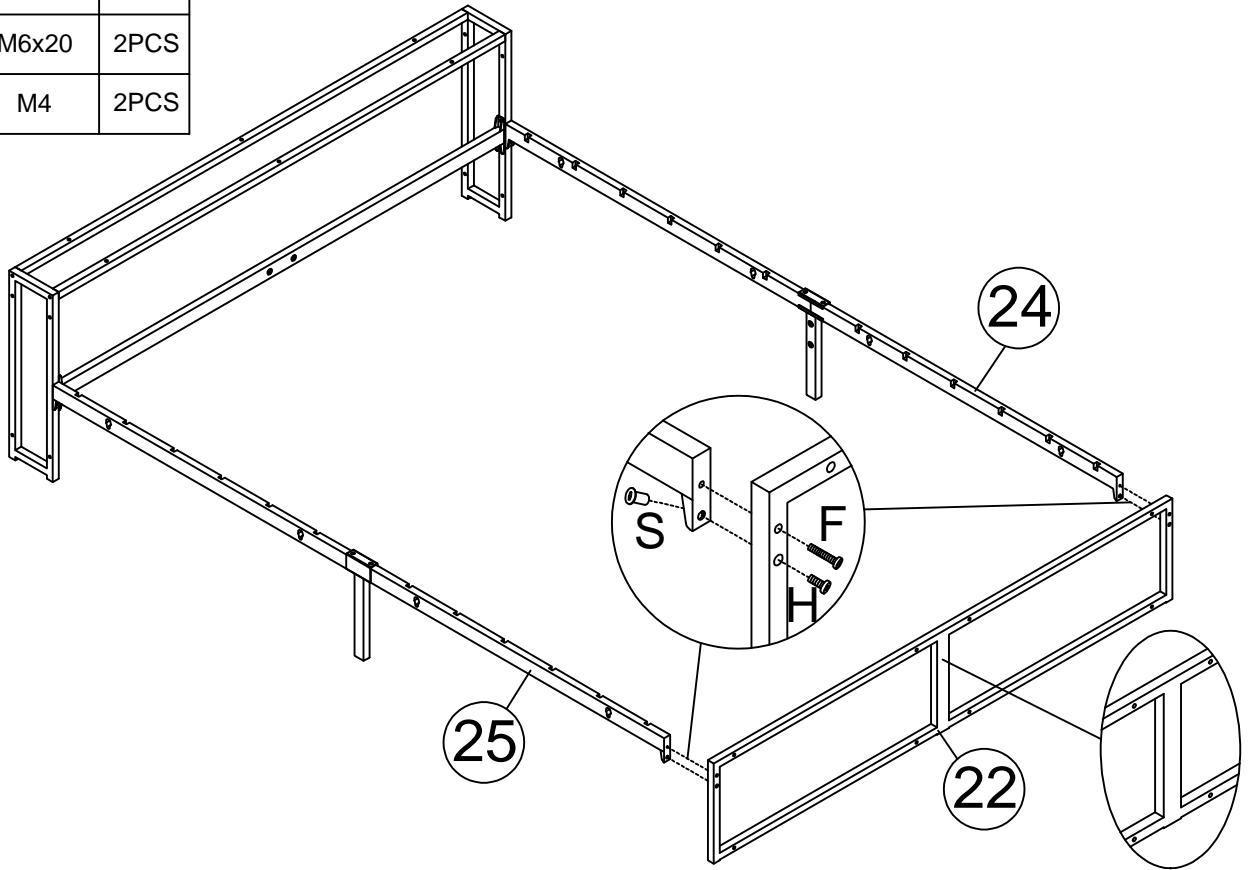
F		M6x40	2PCS
H		M6x18	2PCS
S		M6x20	2PCS
W		M4	2PCS

"Note: Make sure to follow the correct installation direction for parts."


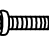



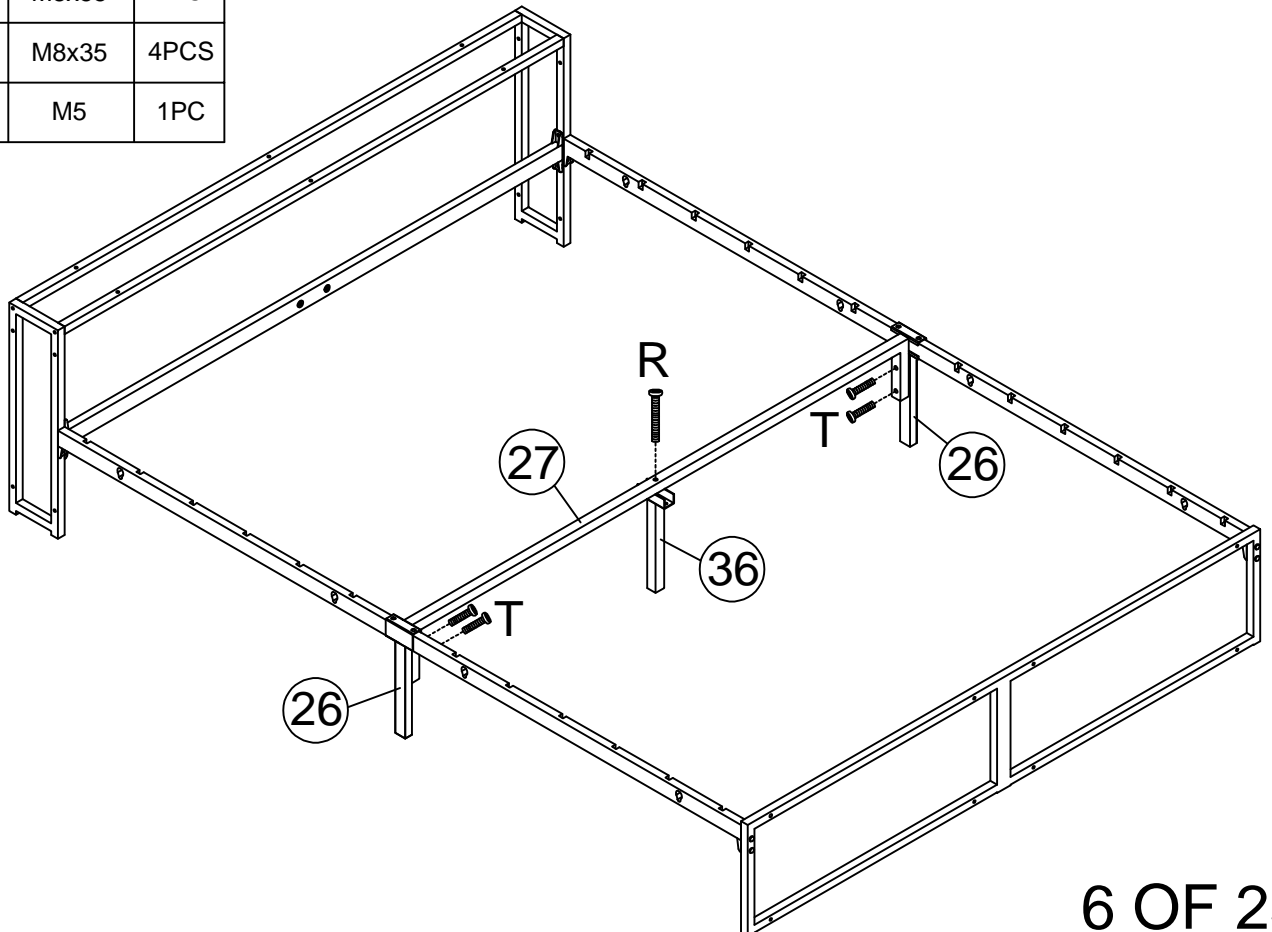
Step 5

F		M6x40	2PCS
H		M6x18	2PCS
S		M6x20	2PCS
W		M4	2PCS


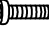



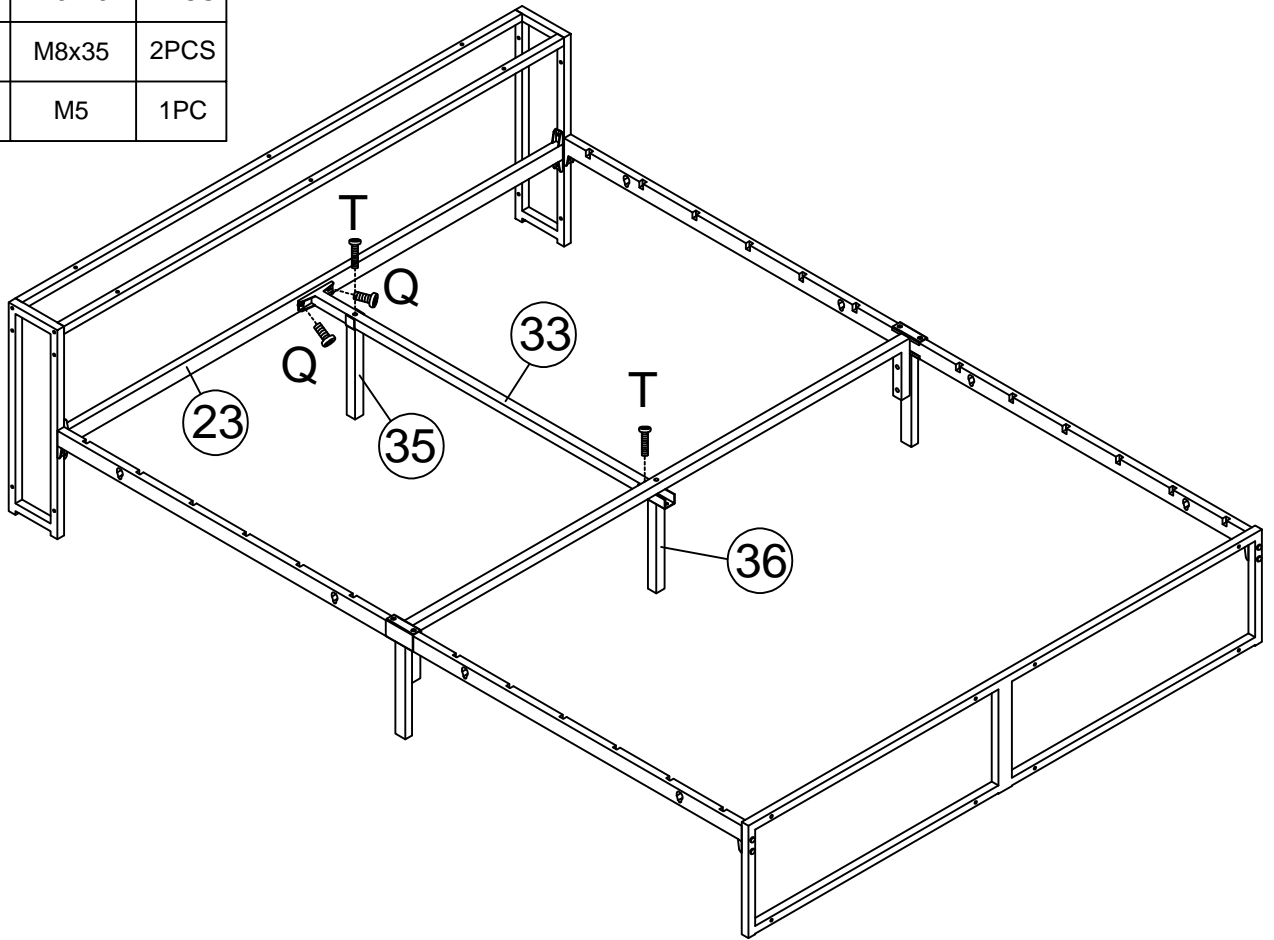
Step 6

R		M8x55	1PC
T		M8x35	4PCS
X		M5	1PC


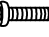



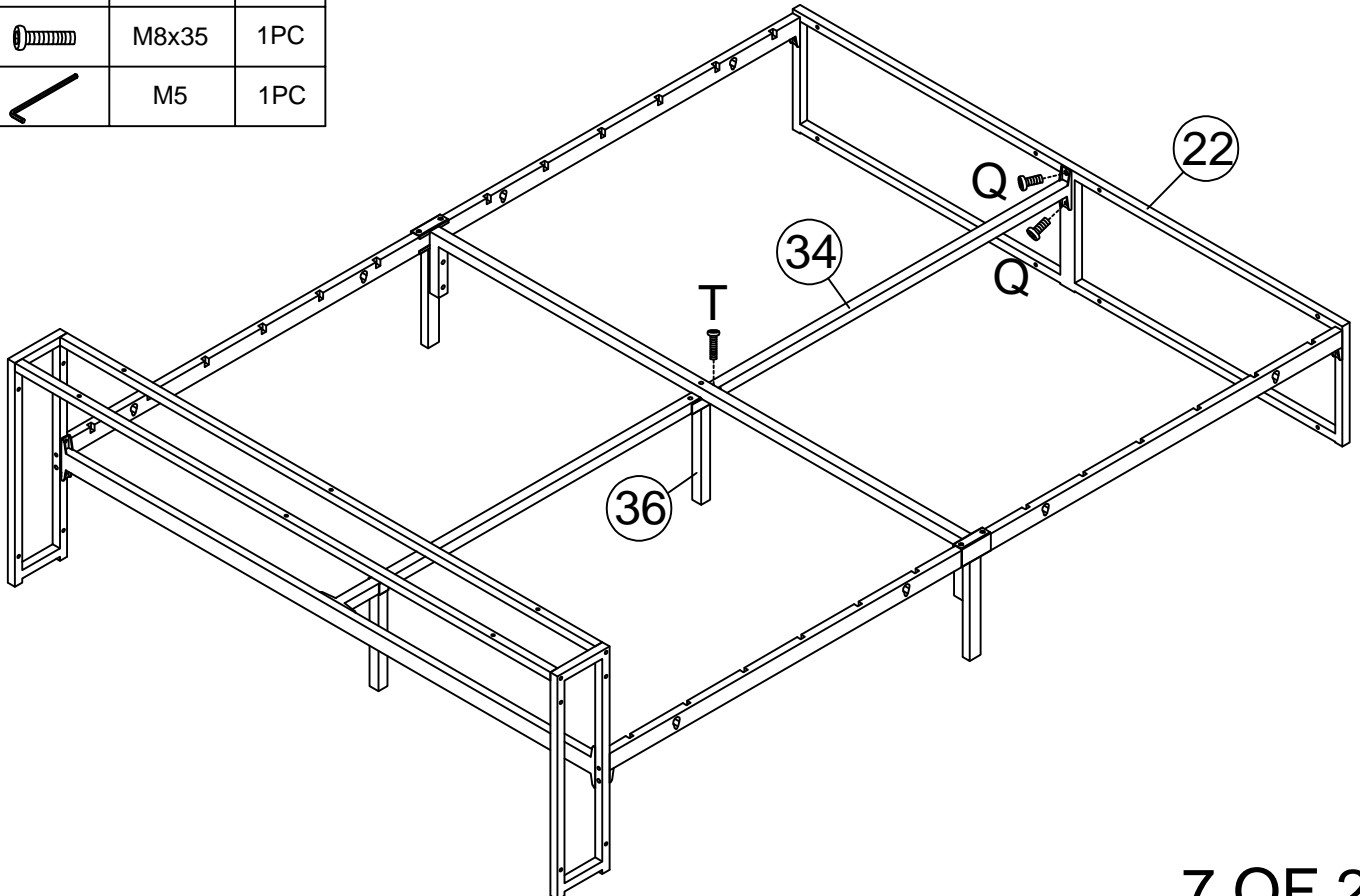
Step 7

Q		M8x16	2PCS
T		M8x35	2PCS
X		M5	1PC





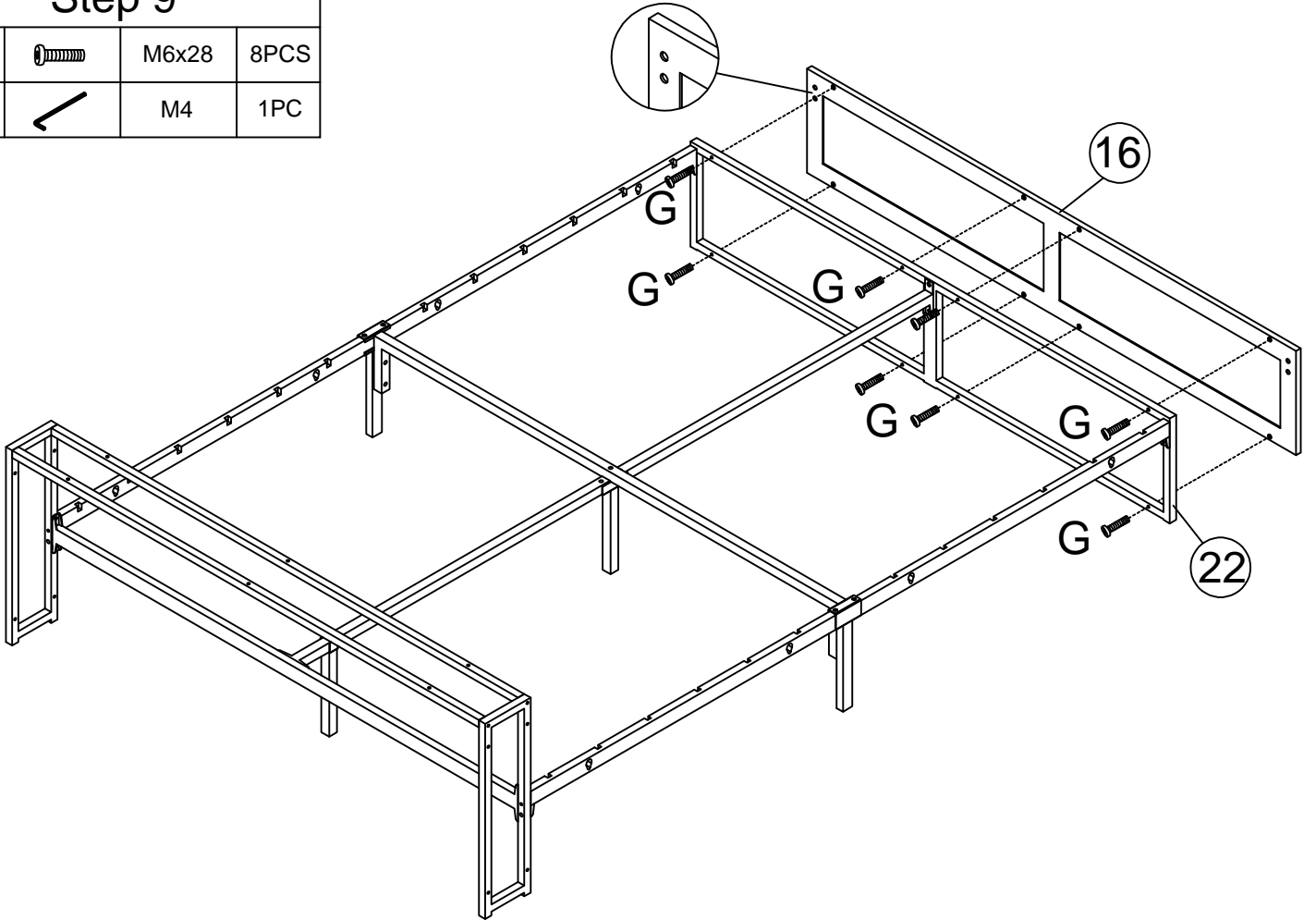
Step 8

Q		M8x16	2PCS
T		M8x35	1PC
X		M5	1PC





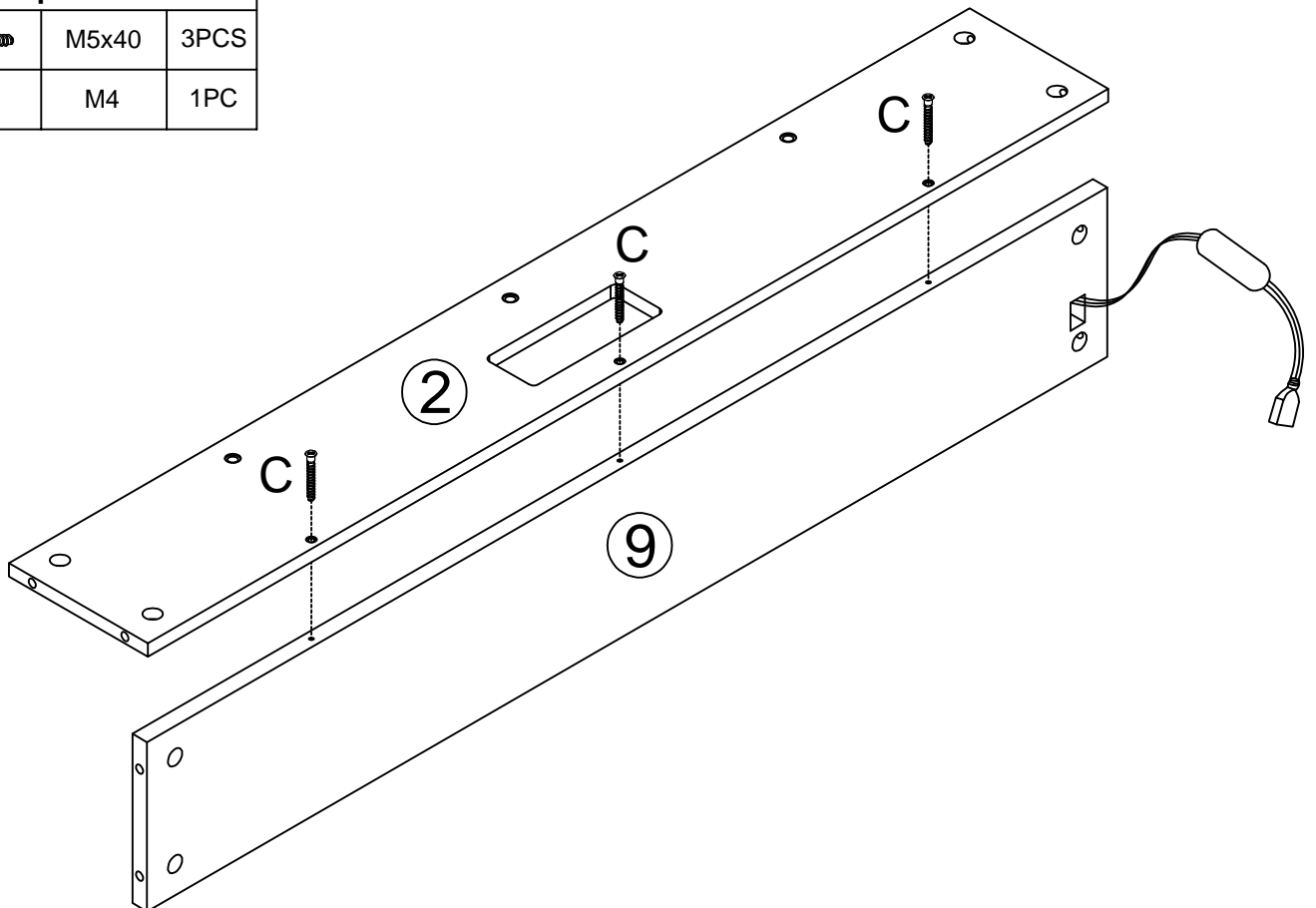
Step 9

G		M6x28	8PCS
W		M4	1PC





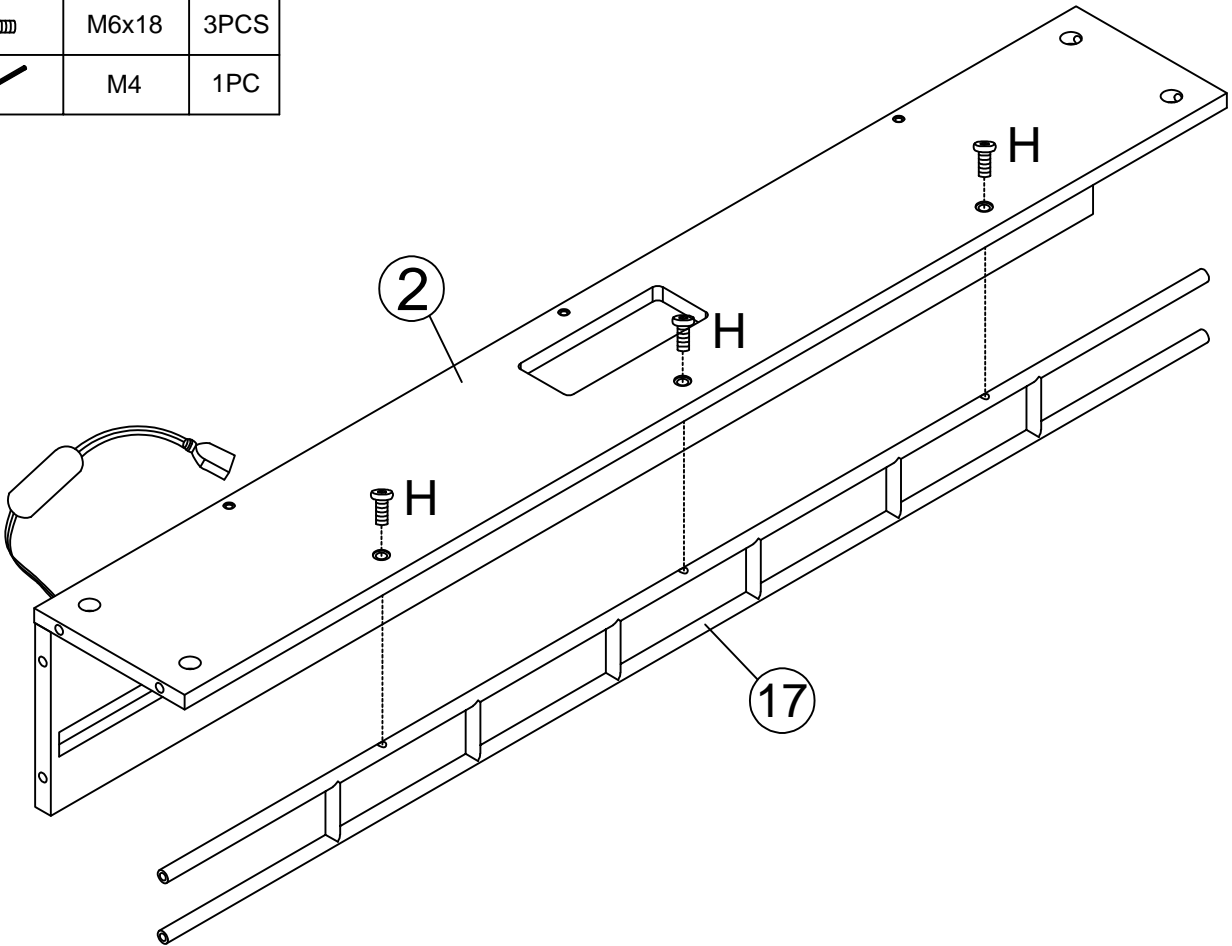
Step 10

C		M5x40	3PCS
Y		M4	1PC







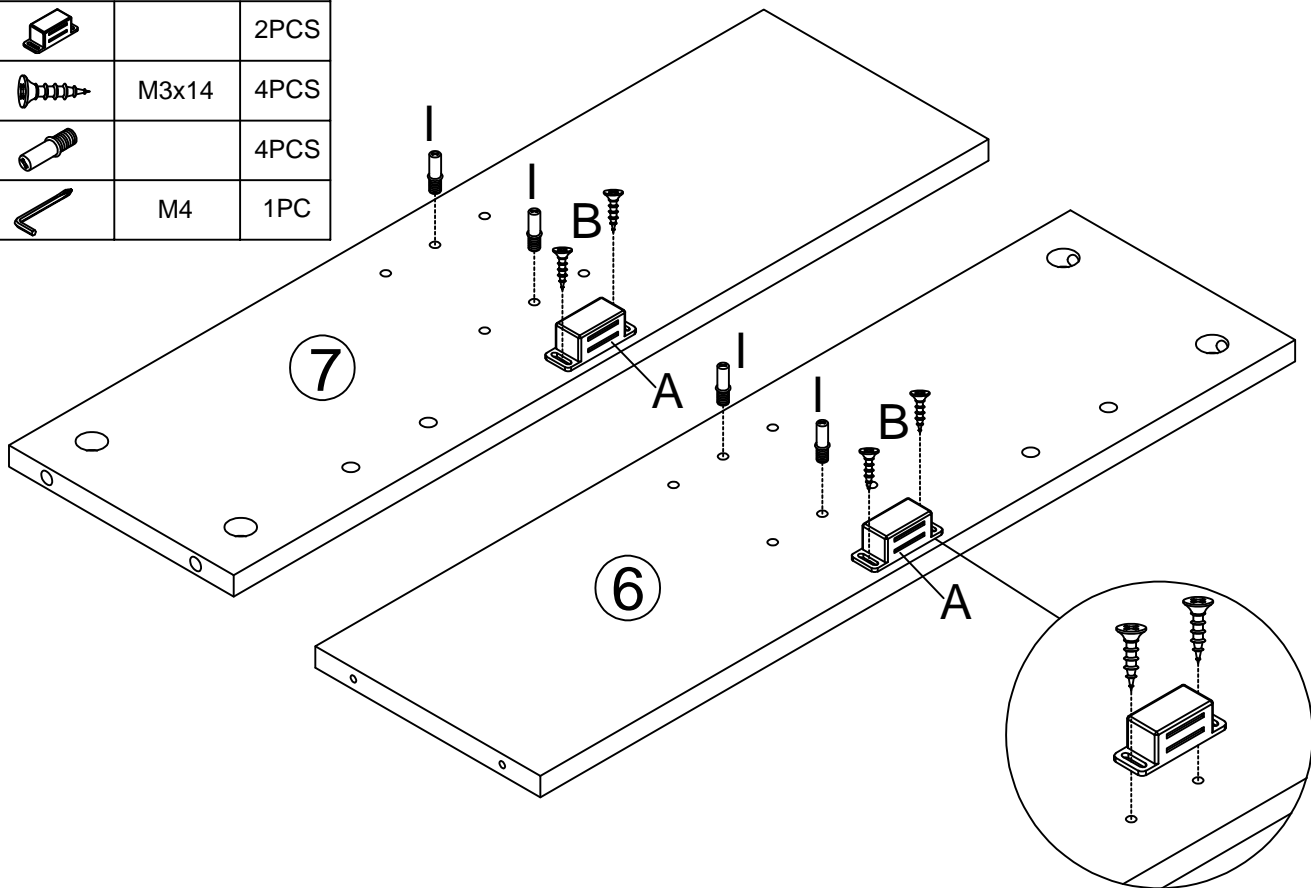
Step 11

H		M6x18	3PCS
W		M4	1PC

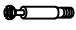



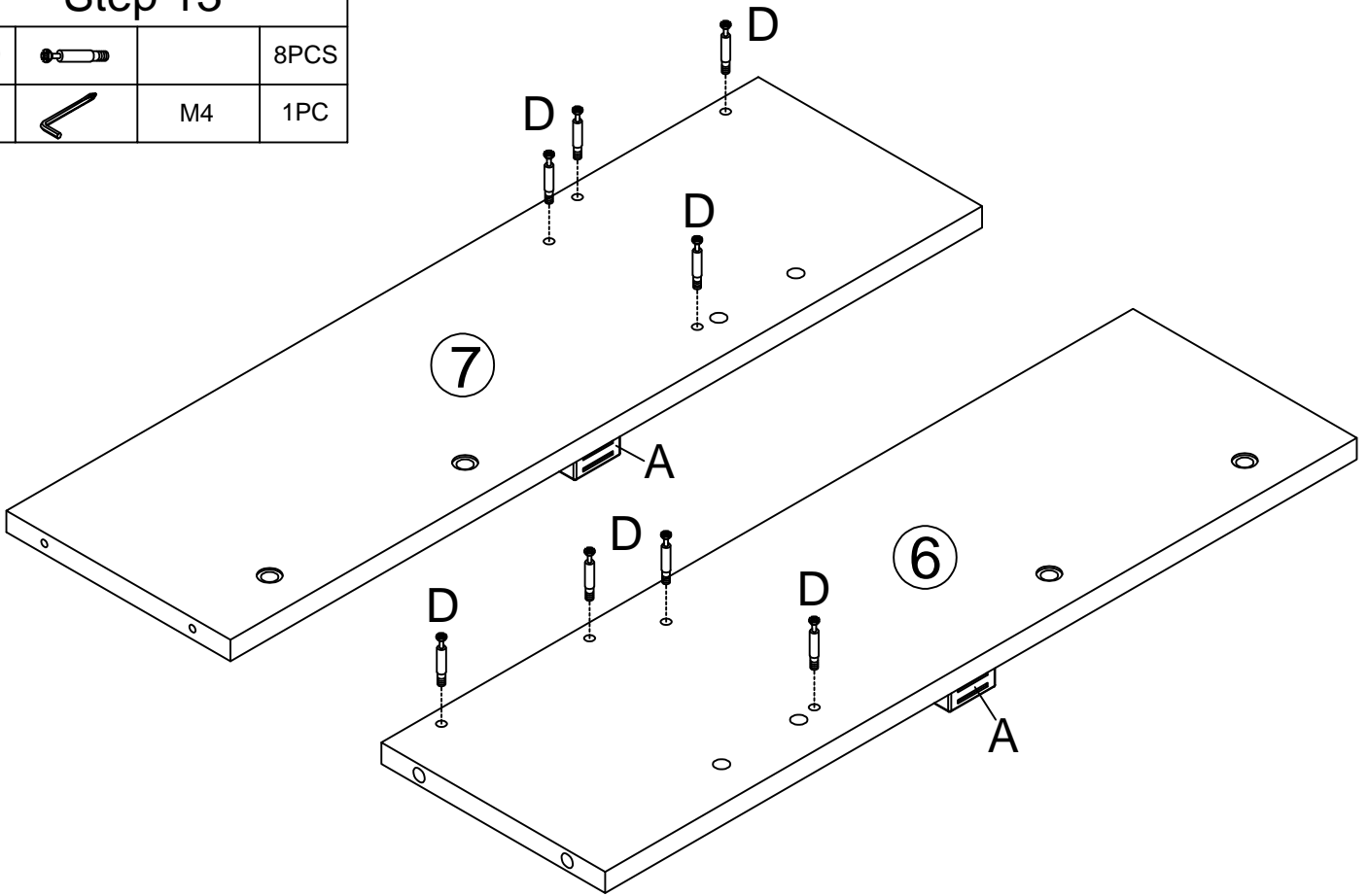
Step 12

A			2PCS
B		M3x14	4PCS
I			4PCS
Y		M4	1PC


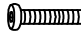



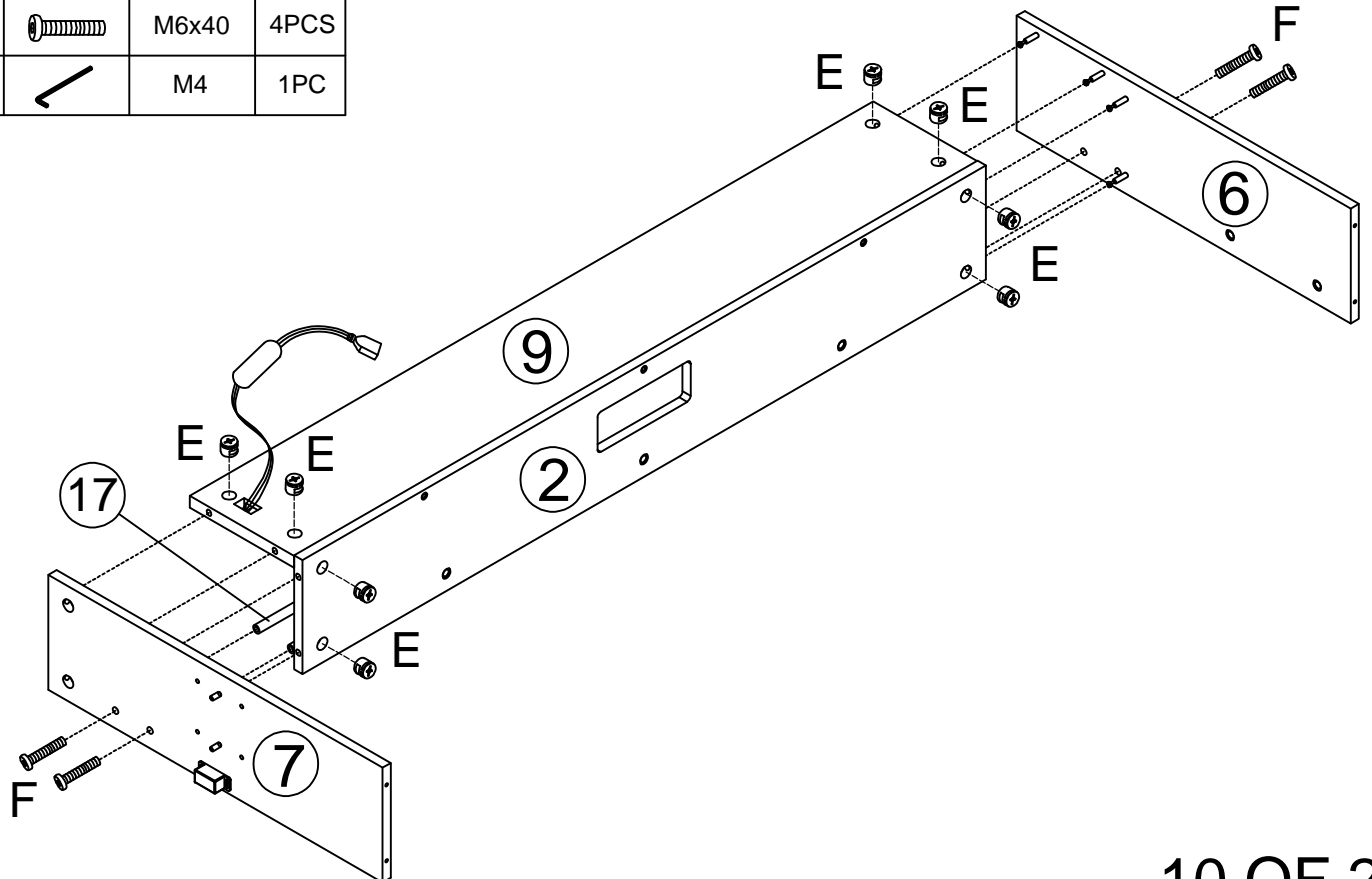
Step 13

D			8PCS
Y		M4	1PC





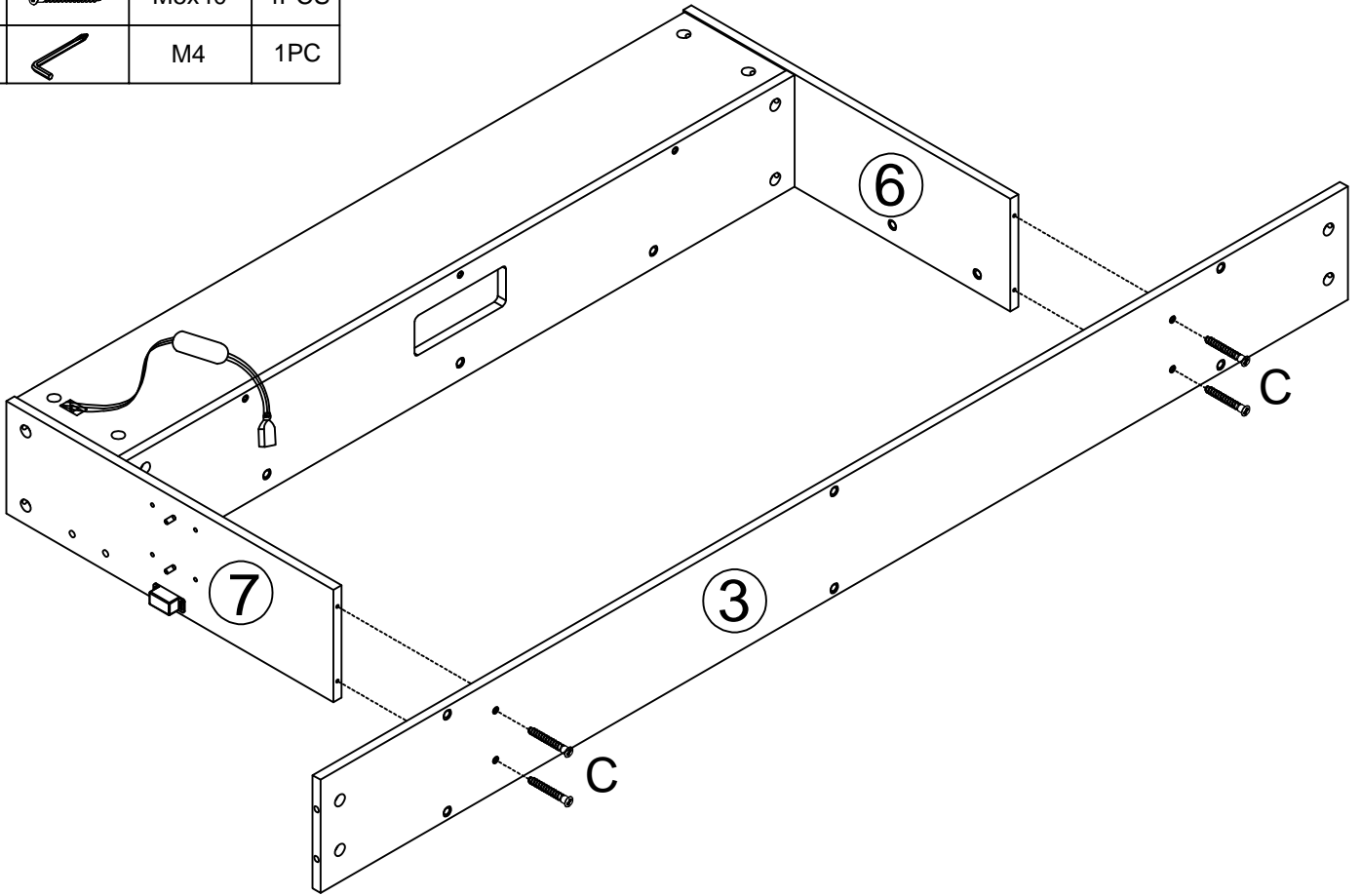
Step 14

E			8PCS
F		M6x40	4PCS
W		M4	1PC

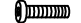



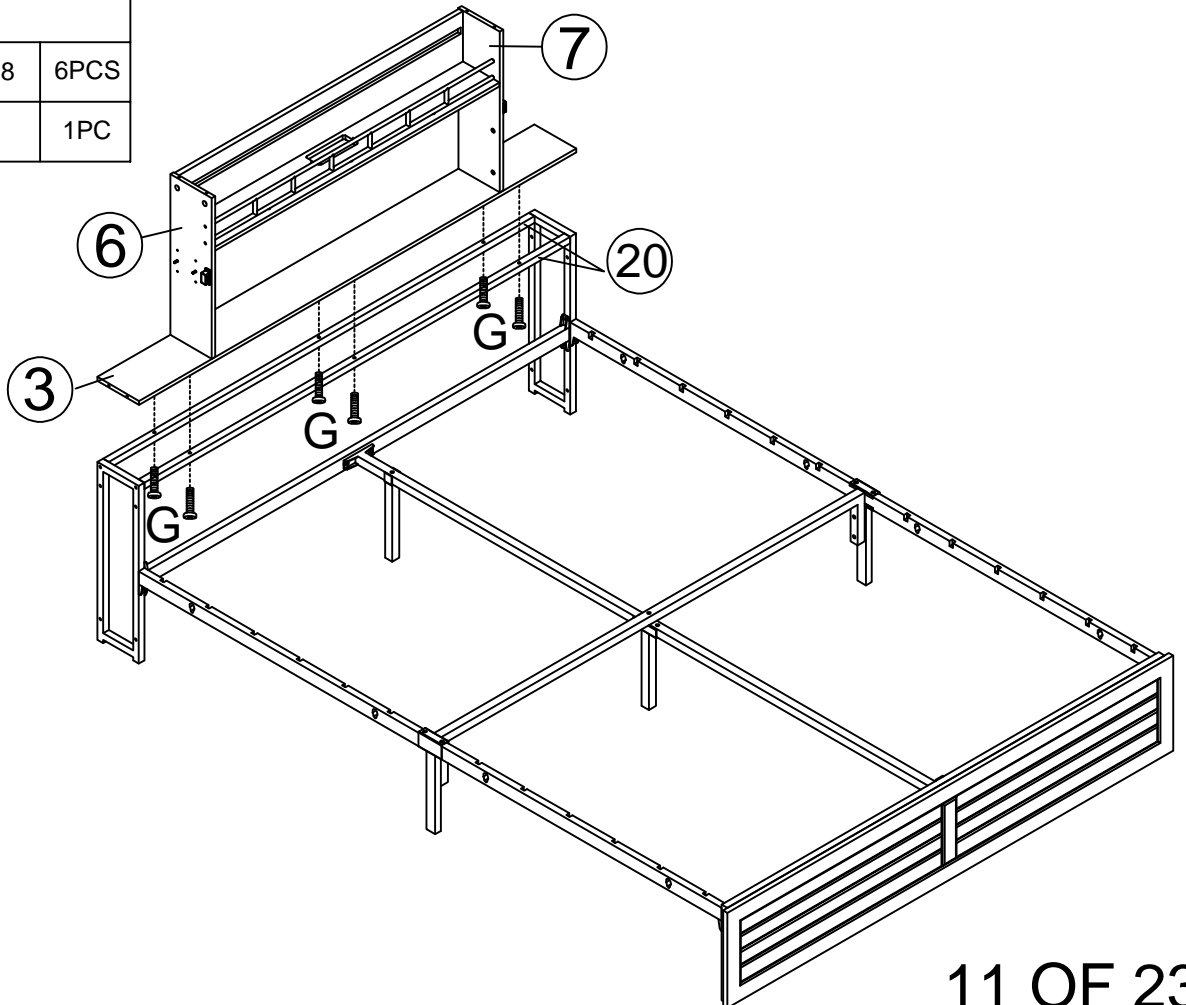
Step 15

C		M5x40	4PCS
Y		M4	1PC

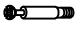




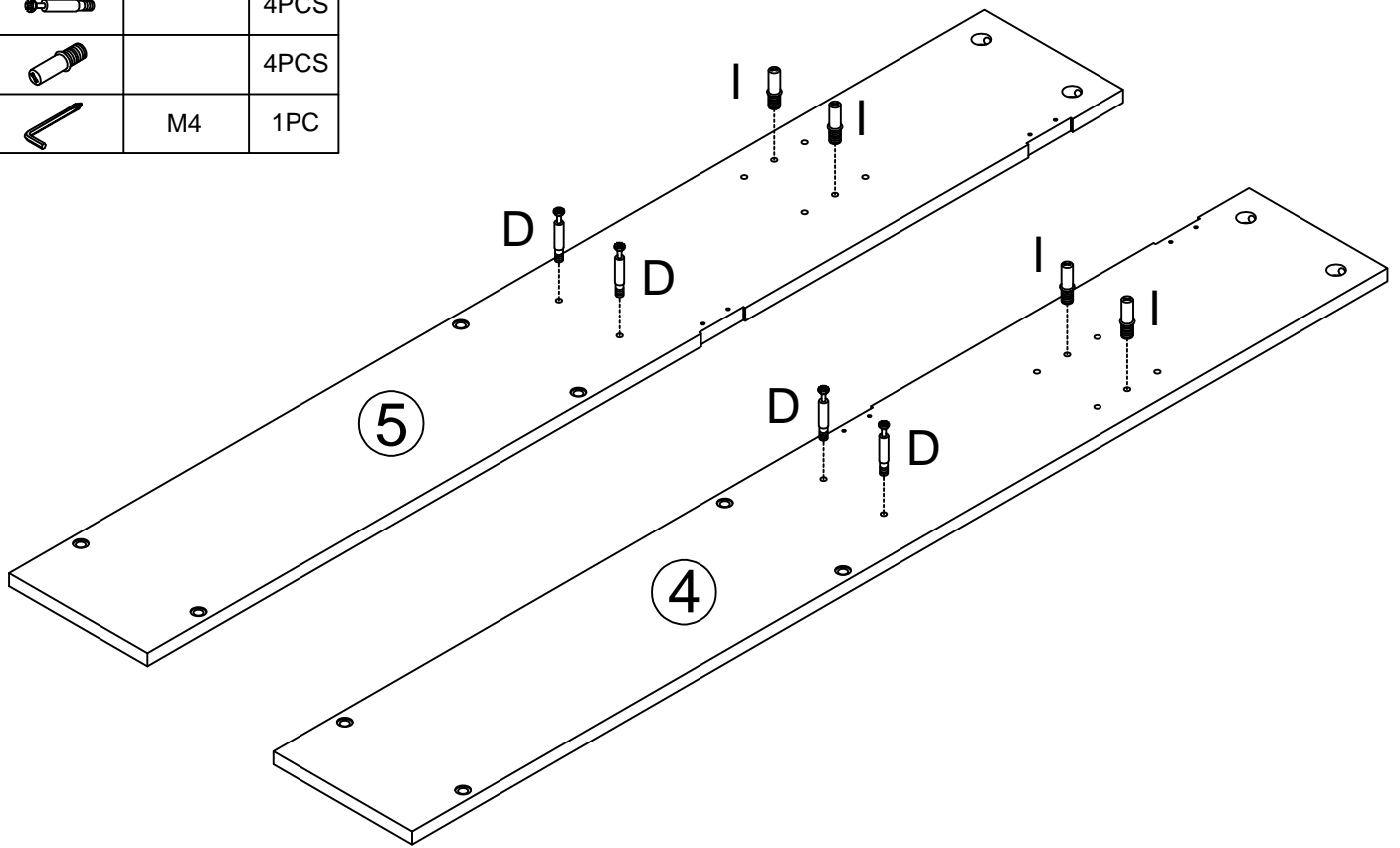
Step 16

G		M6x28	6PCS
W		M4	1PC


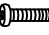




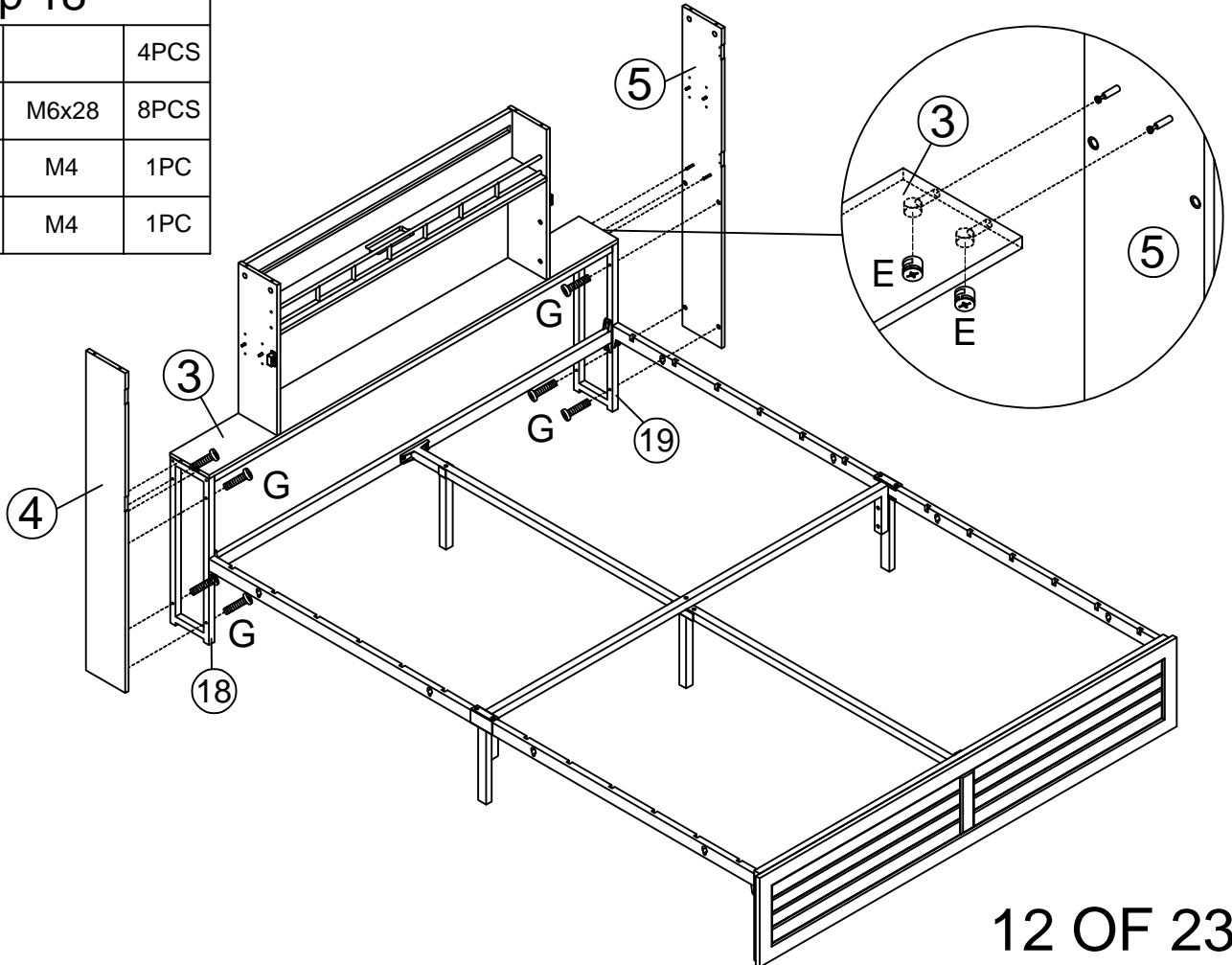
Step 17

D			4PCS
I			4PCS
Y		M4	1PC

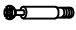



Step 18

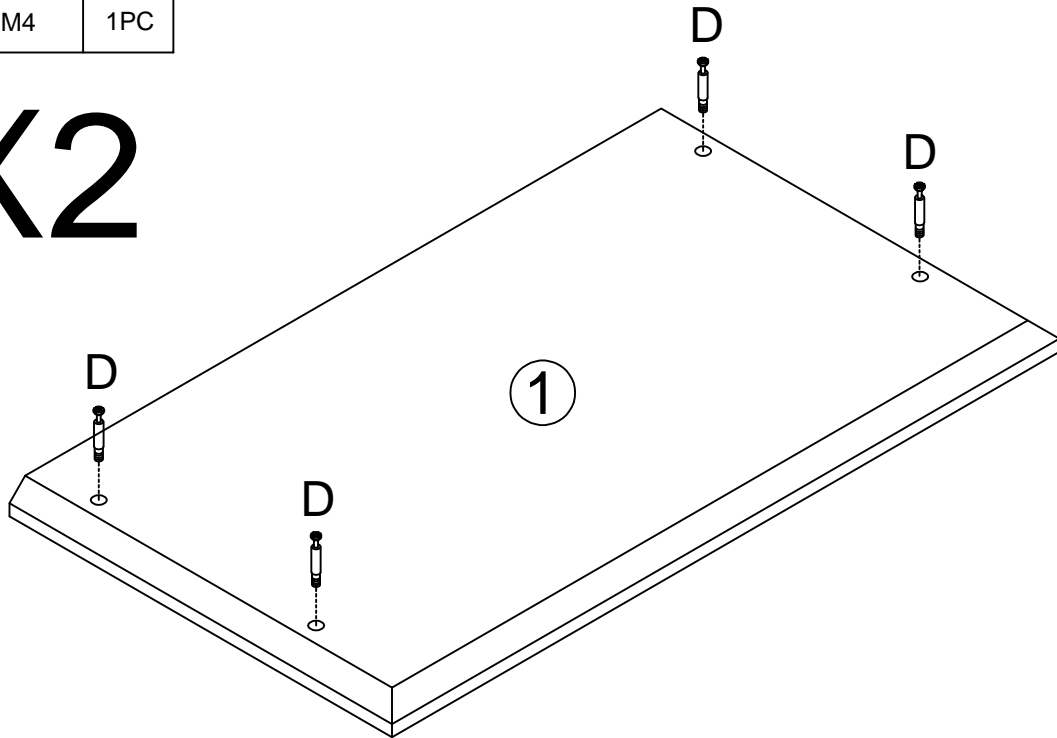
E			4PCS
G		M6x28	8PCS
W		M4	1PC
Y		M4	1PC





Step 19

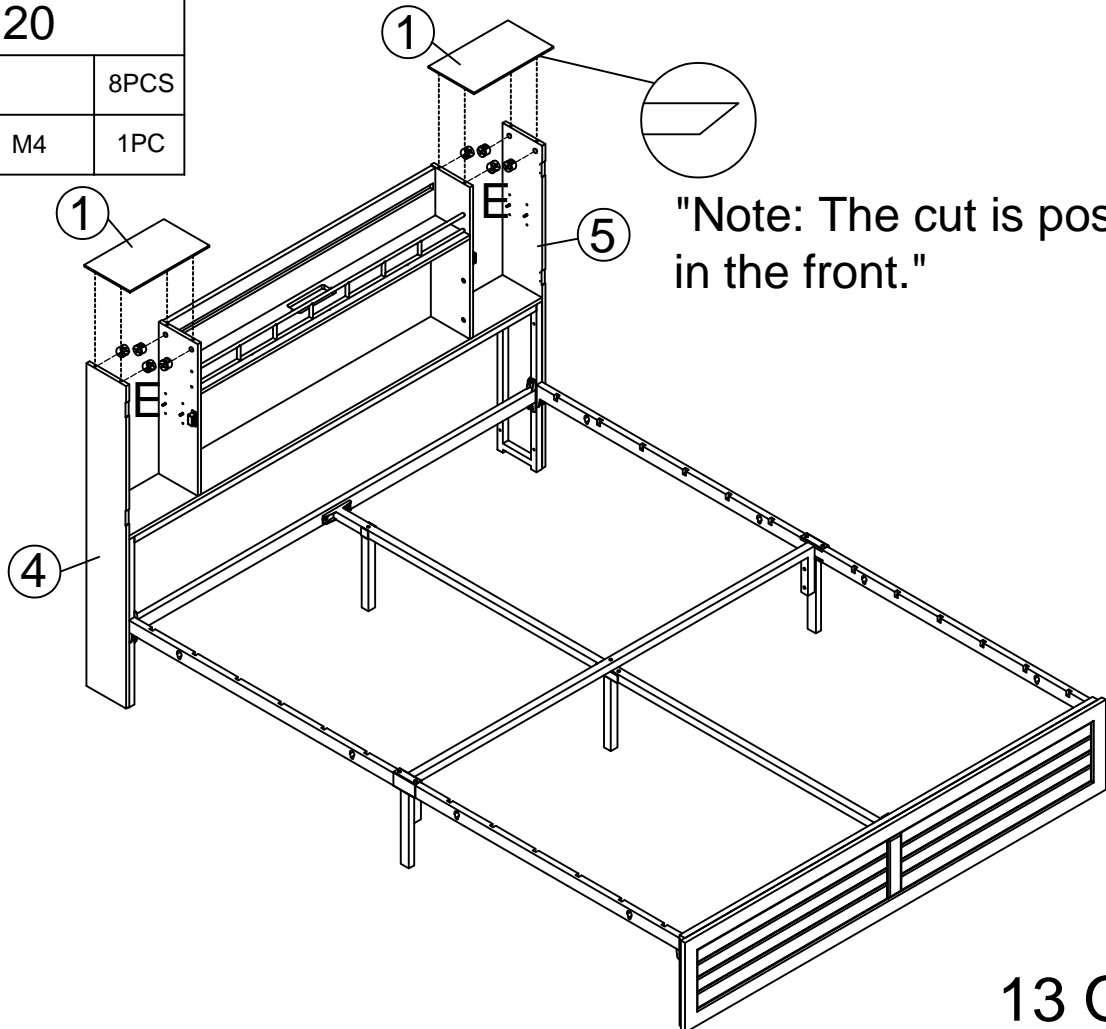
D			8PCS
Y		M4	1PC

X2

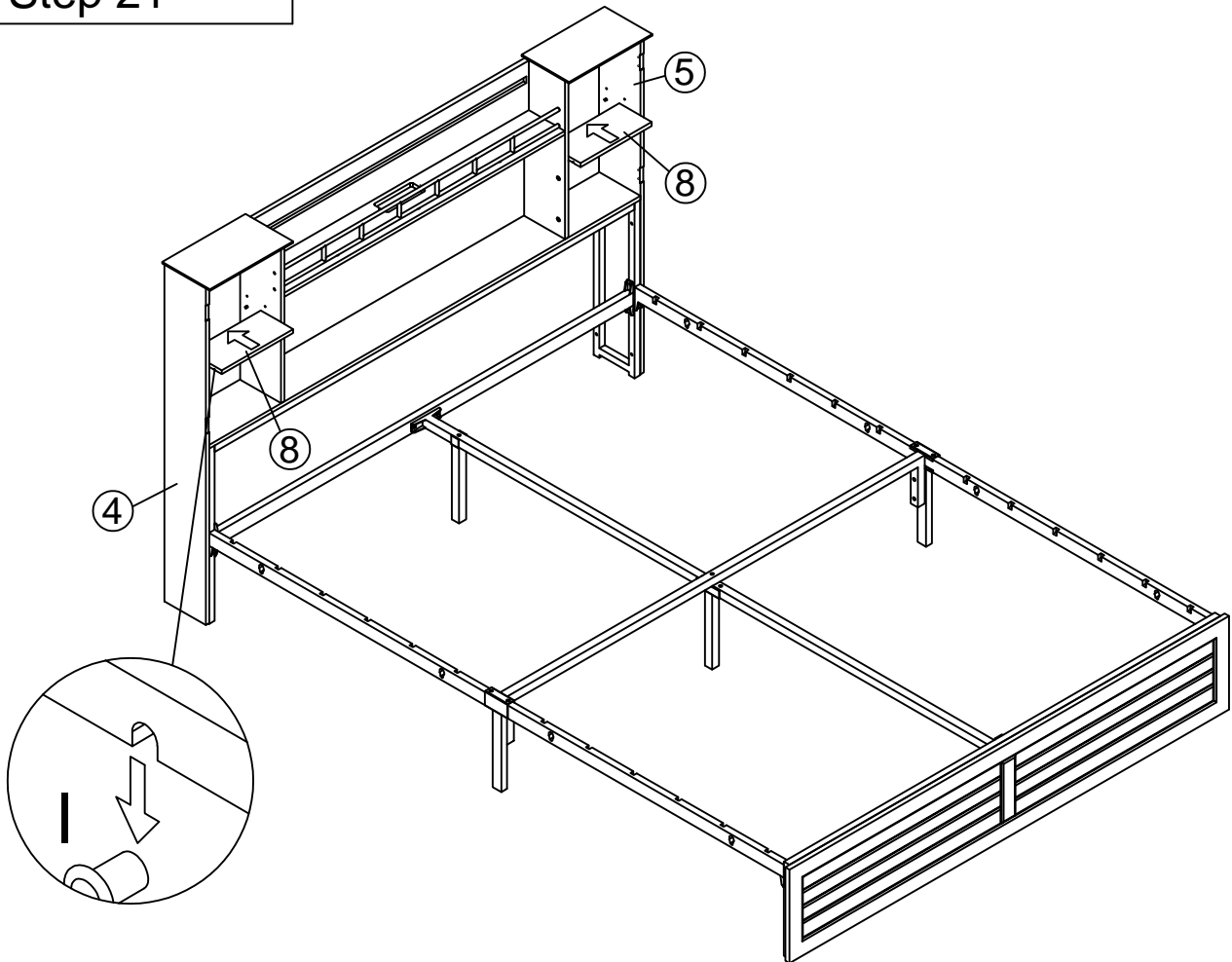


Step 20



E			8PCS
Y		M4	1PC

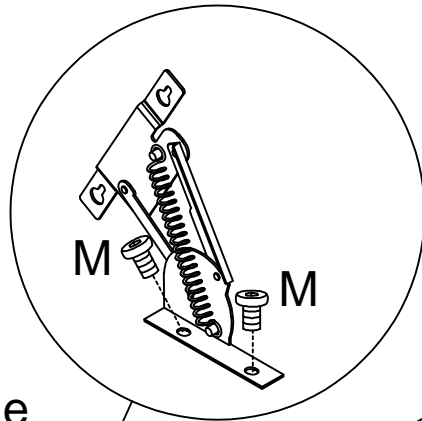


Step 21

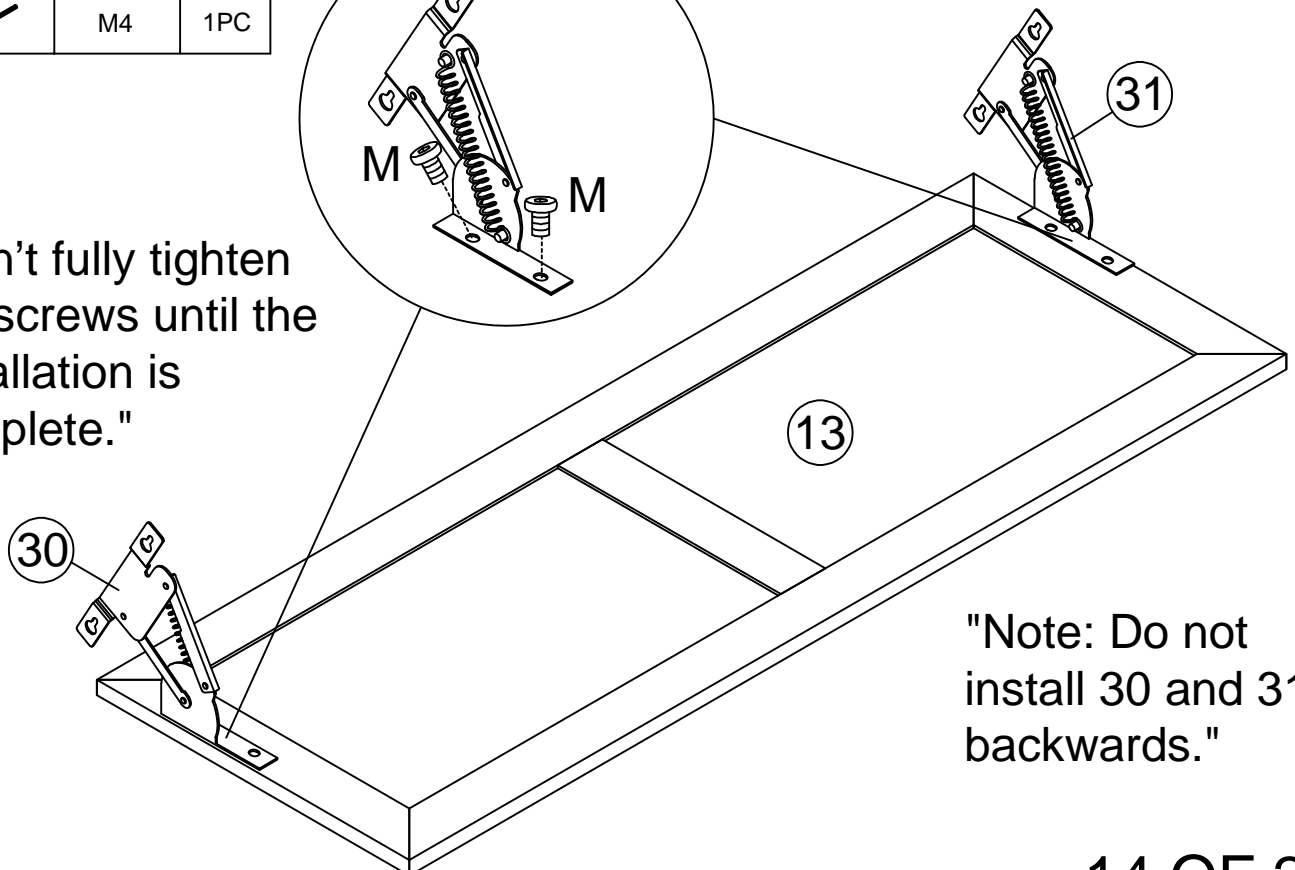


Step 22

M		M6x10	4PCS
W		M4	1PC





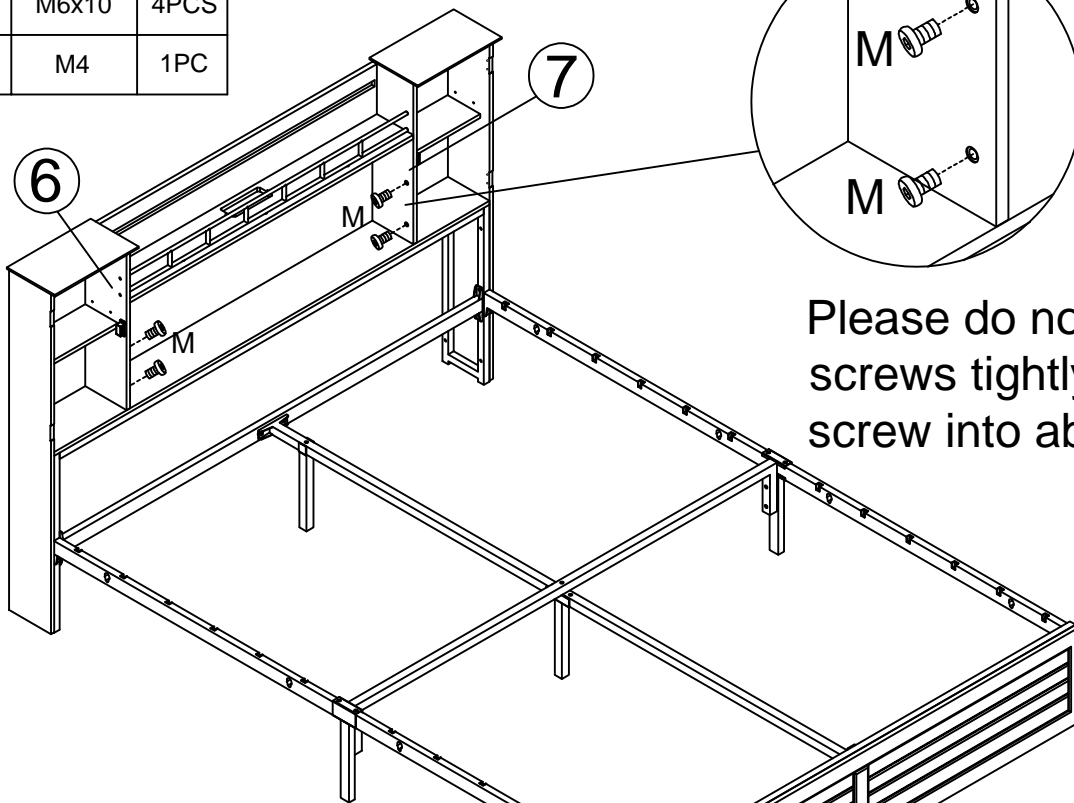
"Don't fully tighten the screws until the installation is complete."



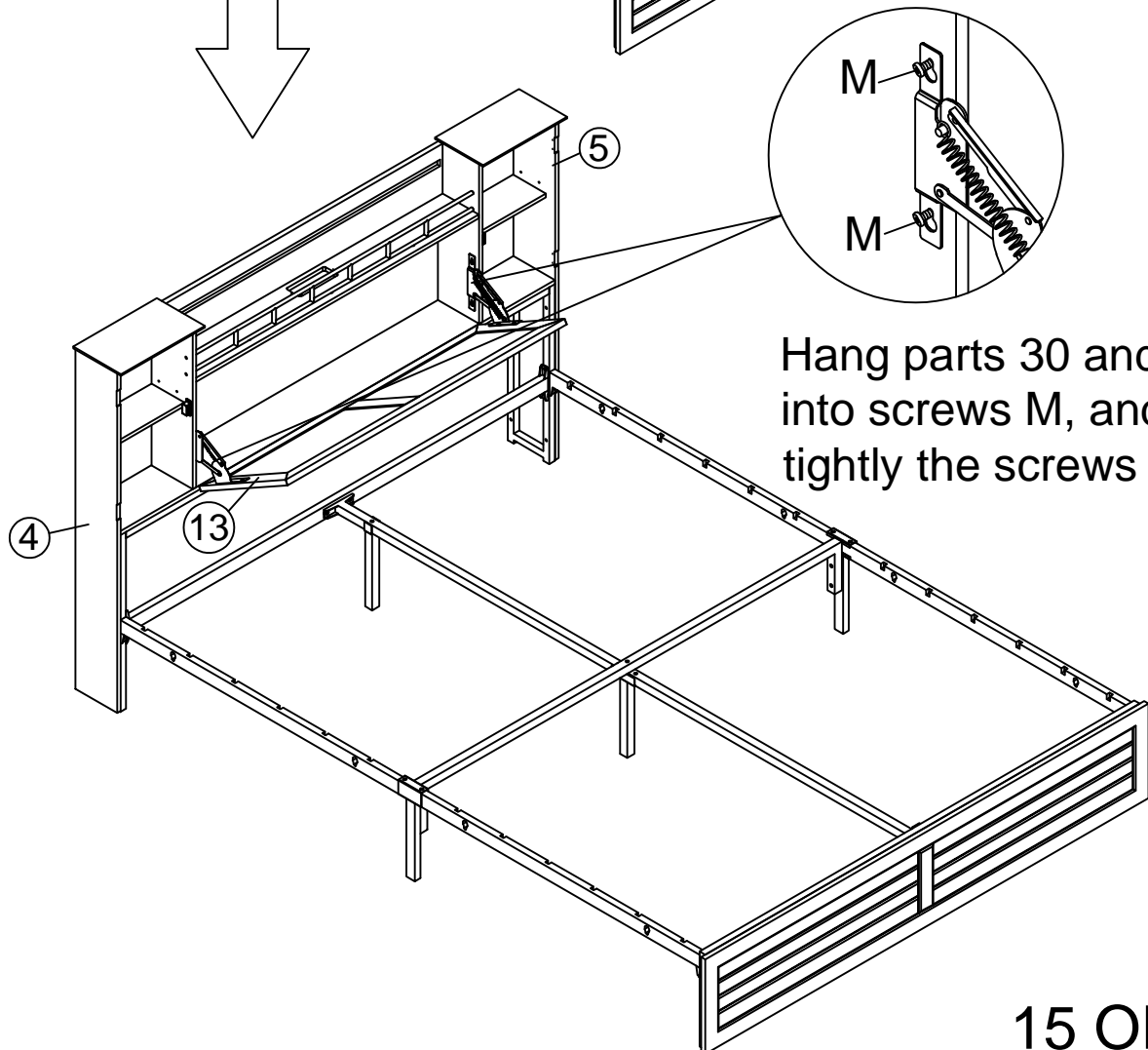
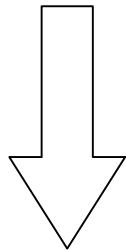
"Note: Do not install 30 and 31 backwards."

Step 23

M		M6x10	4PCS
W		M4	1PC

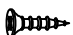





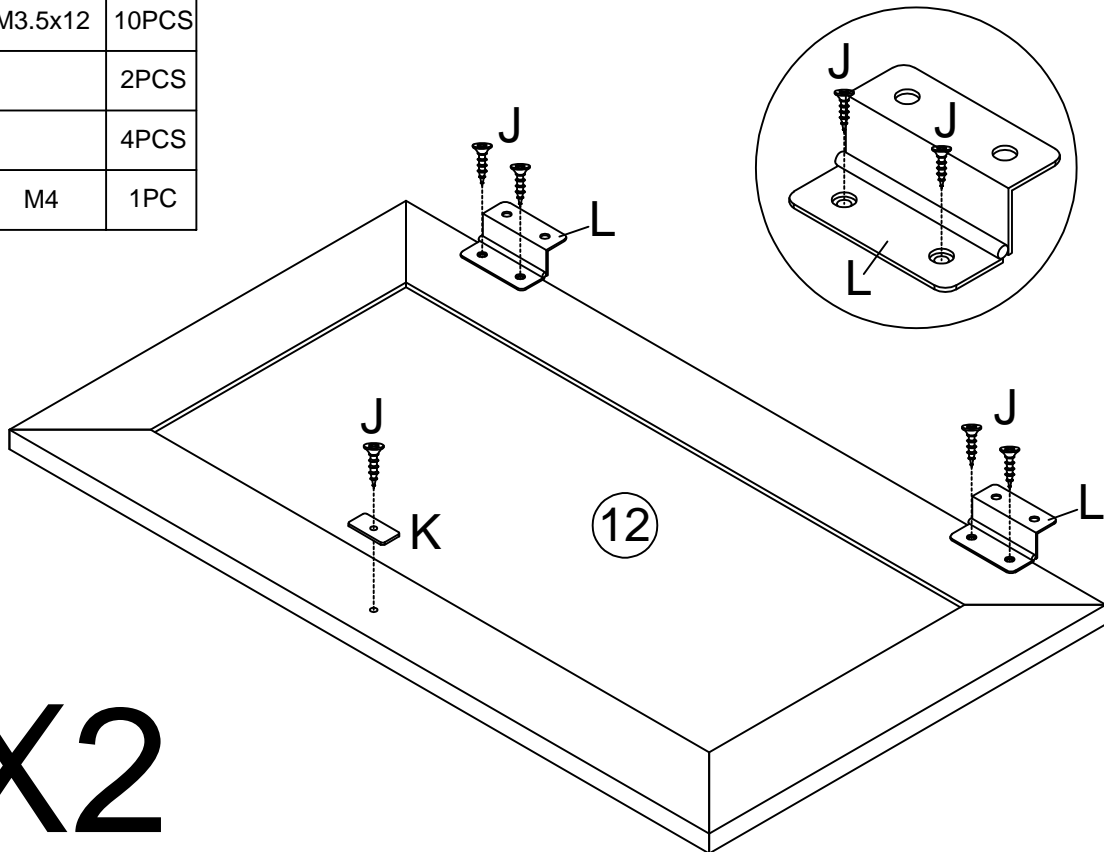
Please do not lock the screws tightly, only screw into about 50%.



Hang parts 30 and 31 into screws M, and then tightly the screws M.

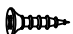

Step 24

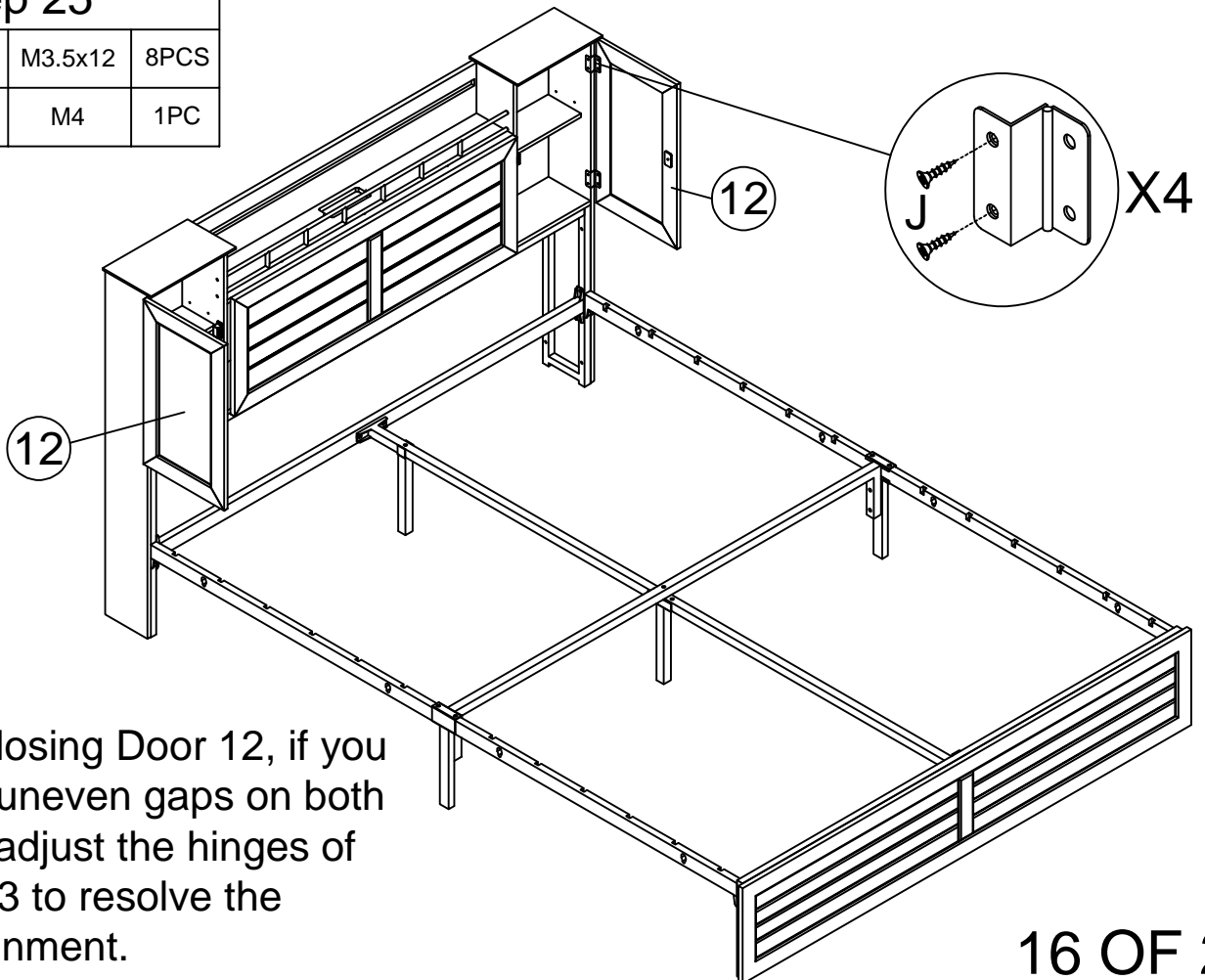
J		M3.5x12	10PCS
K			2PCS
L			4PCS
Y		M4	1PC



X2

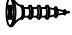

Step 25

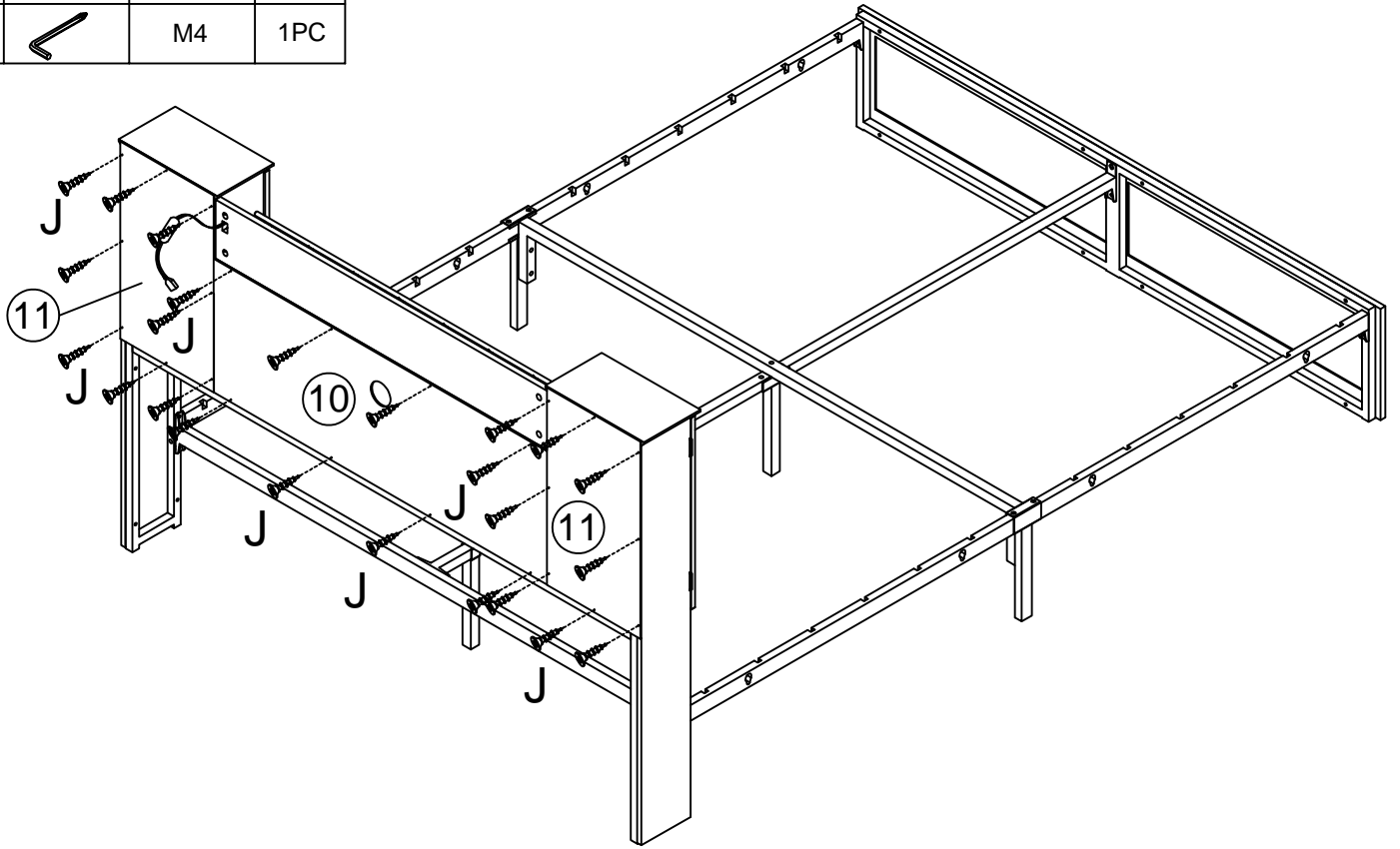
J		M3.5x12	8PCS
Y		M4	1PC



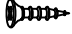

After closing Door 12, if you notice uneven gaps on both sides, adjust the hinges of Door 13 to resolve the misalignment.

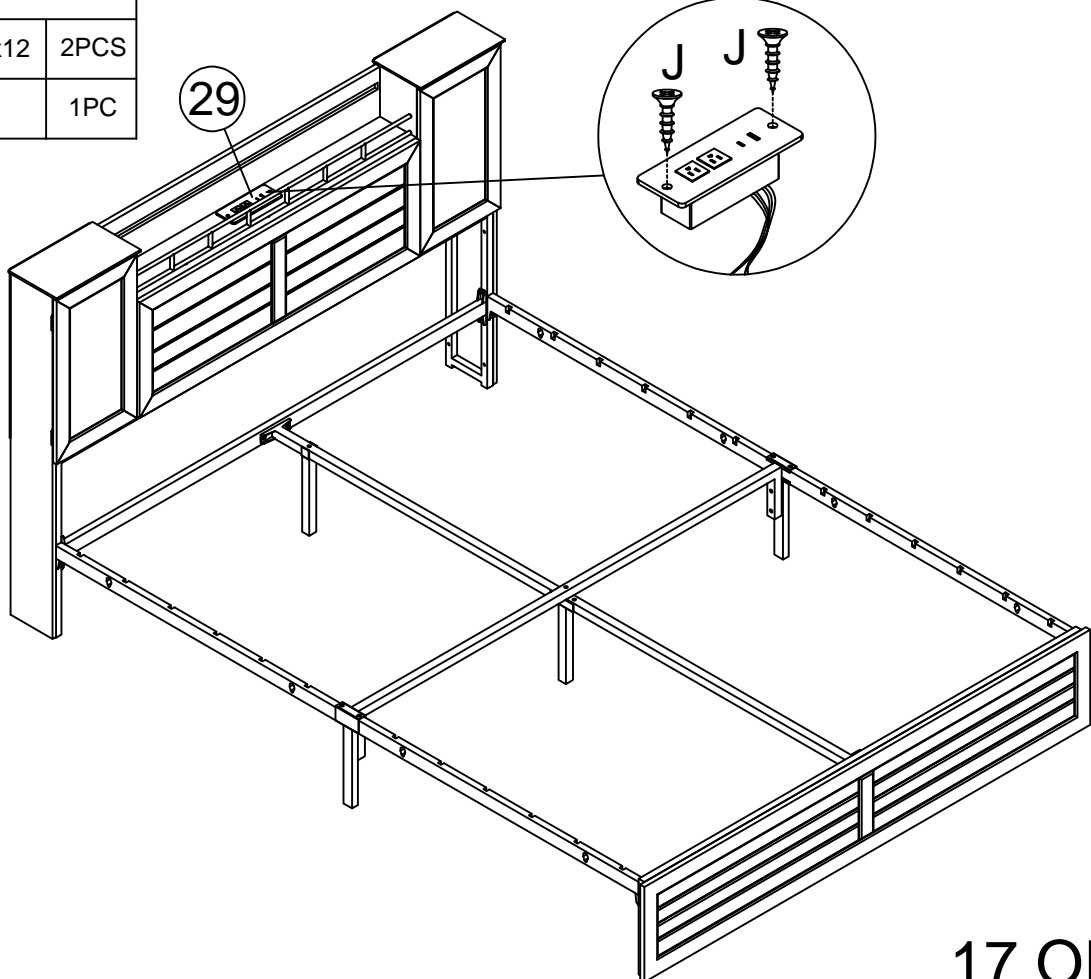
Step 26

J		M3.5x12	24PCS
Y		M4	1PC

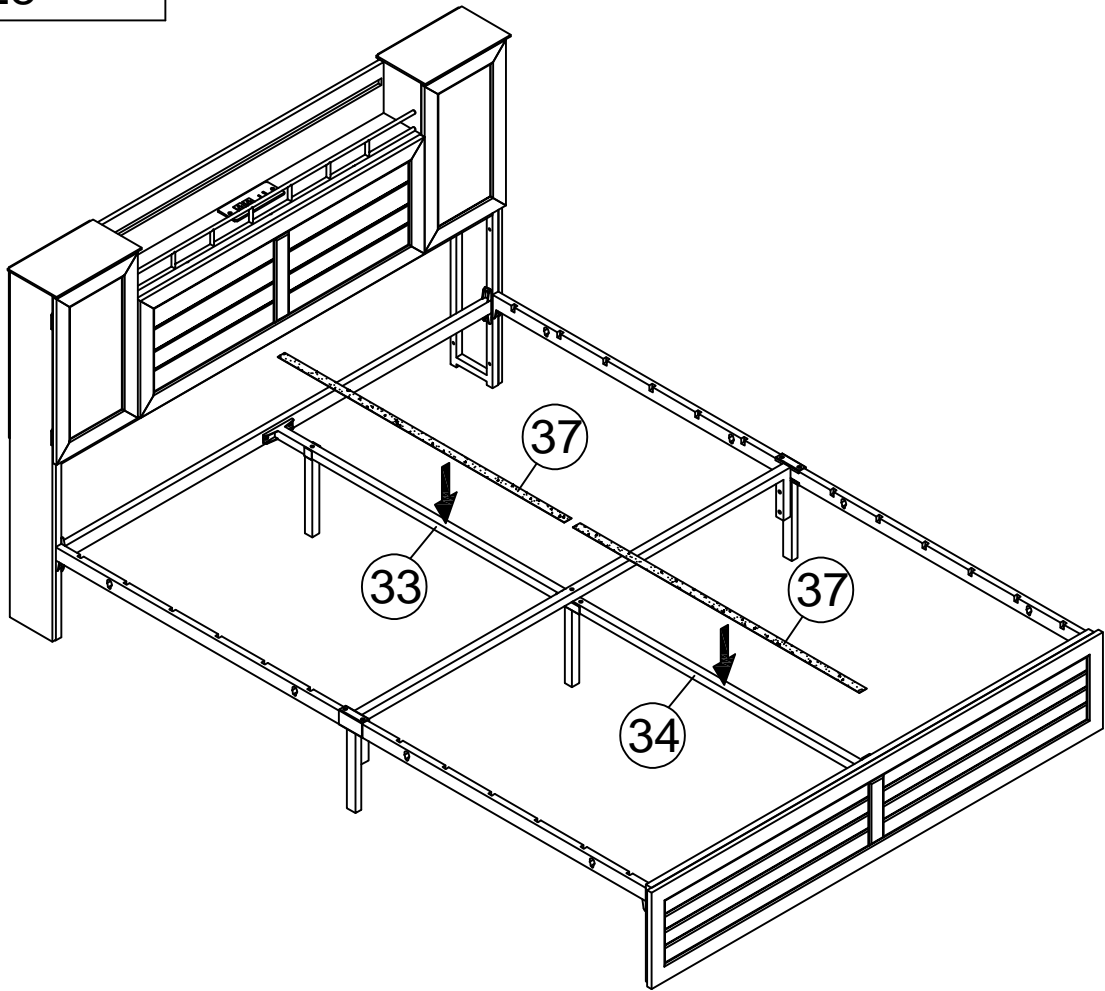


Step 27

J		M3.5x12	2PCS
Y		M4	1PC

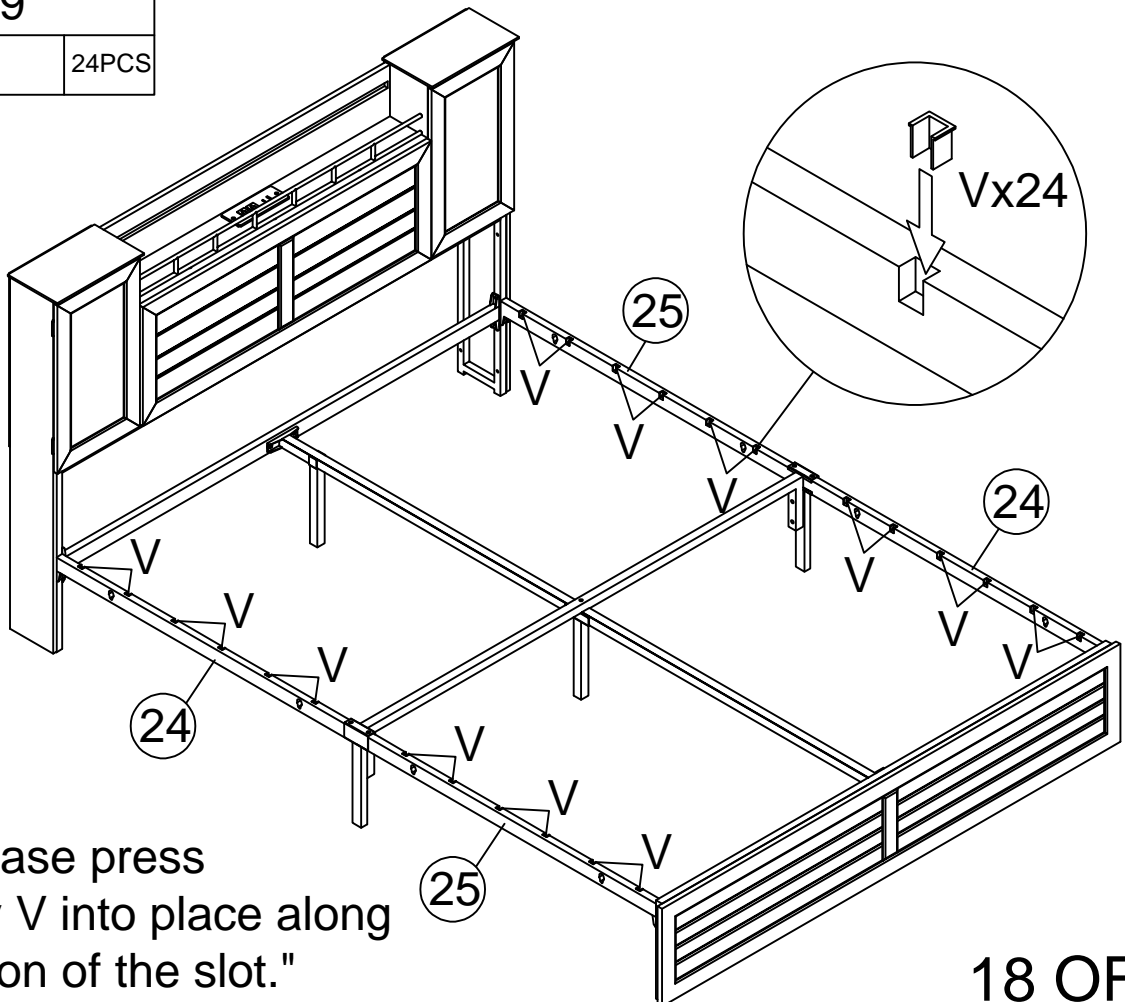


Step 28



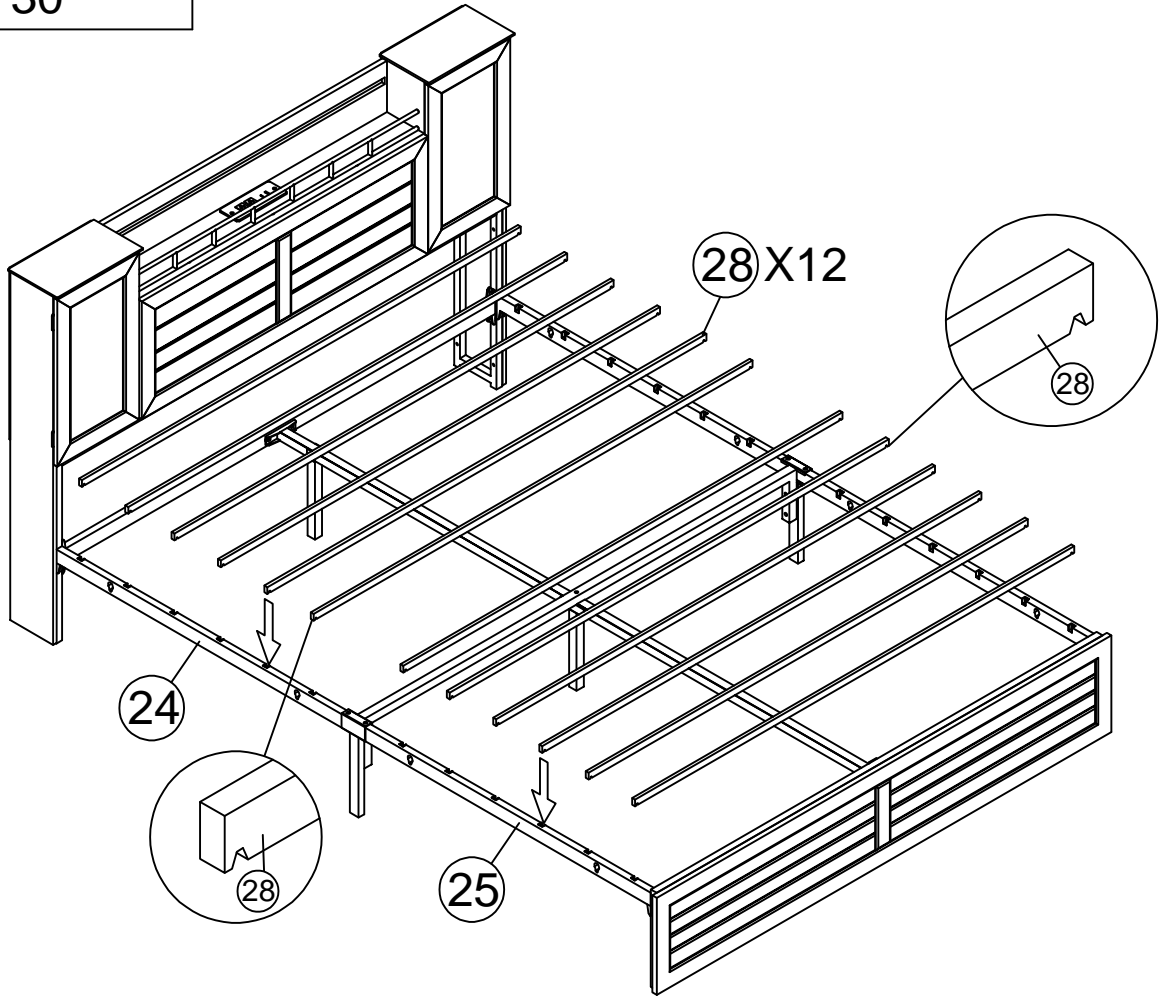
Step 29

V		24PCS
---	--	-------




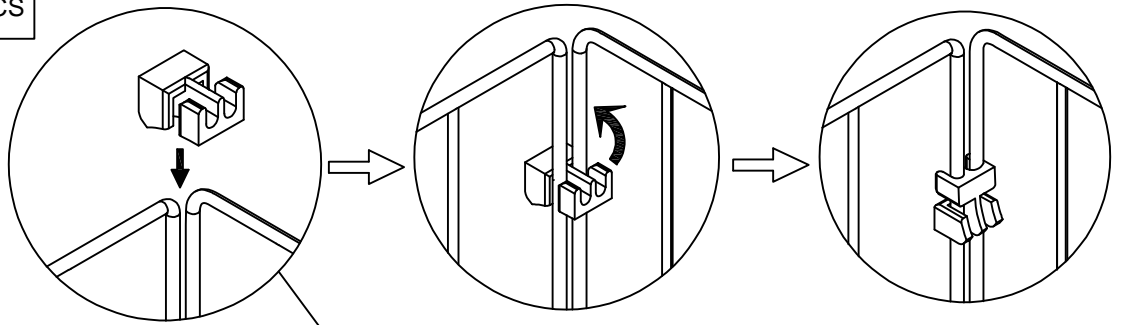
"Note: Please press accessory V into place along the direction of the slot."

Step 30

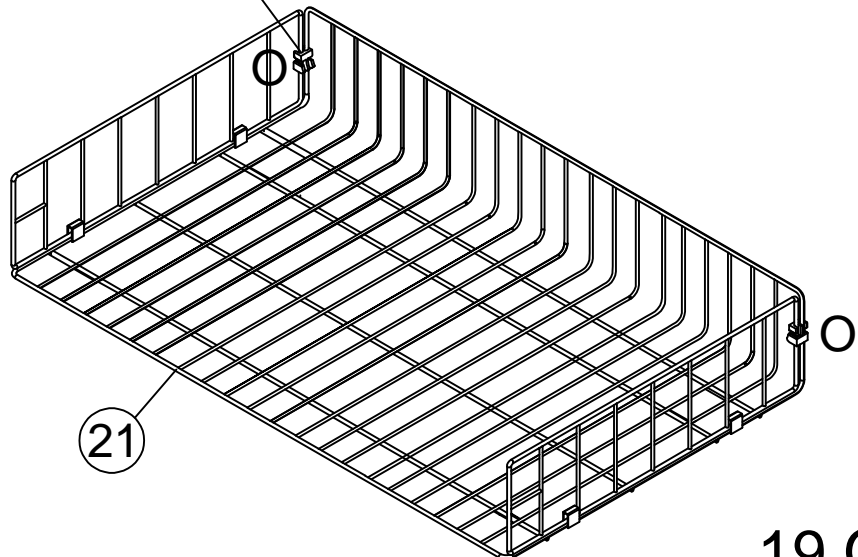


Step 31

O  8PCS



X4



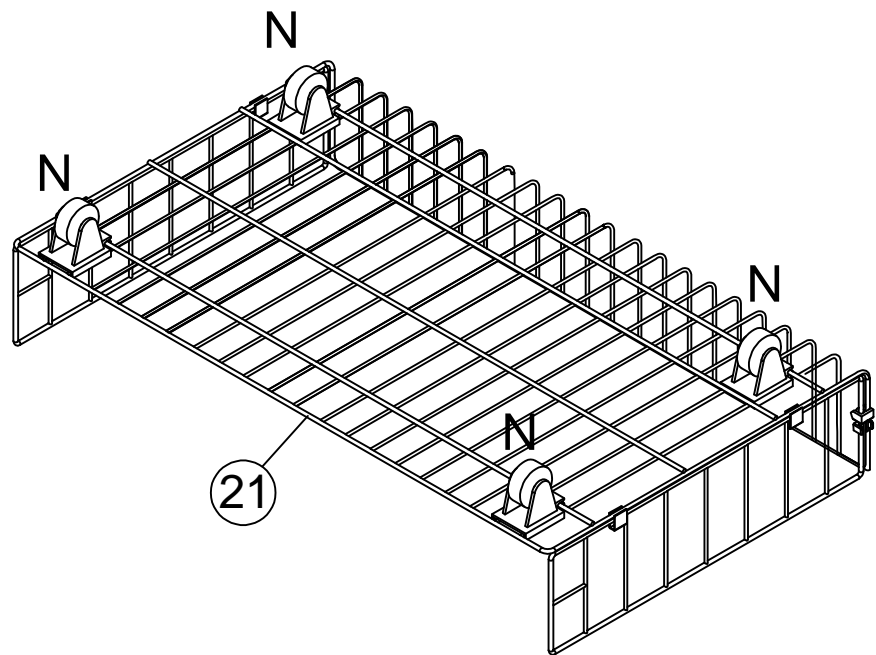
Step 32

N

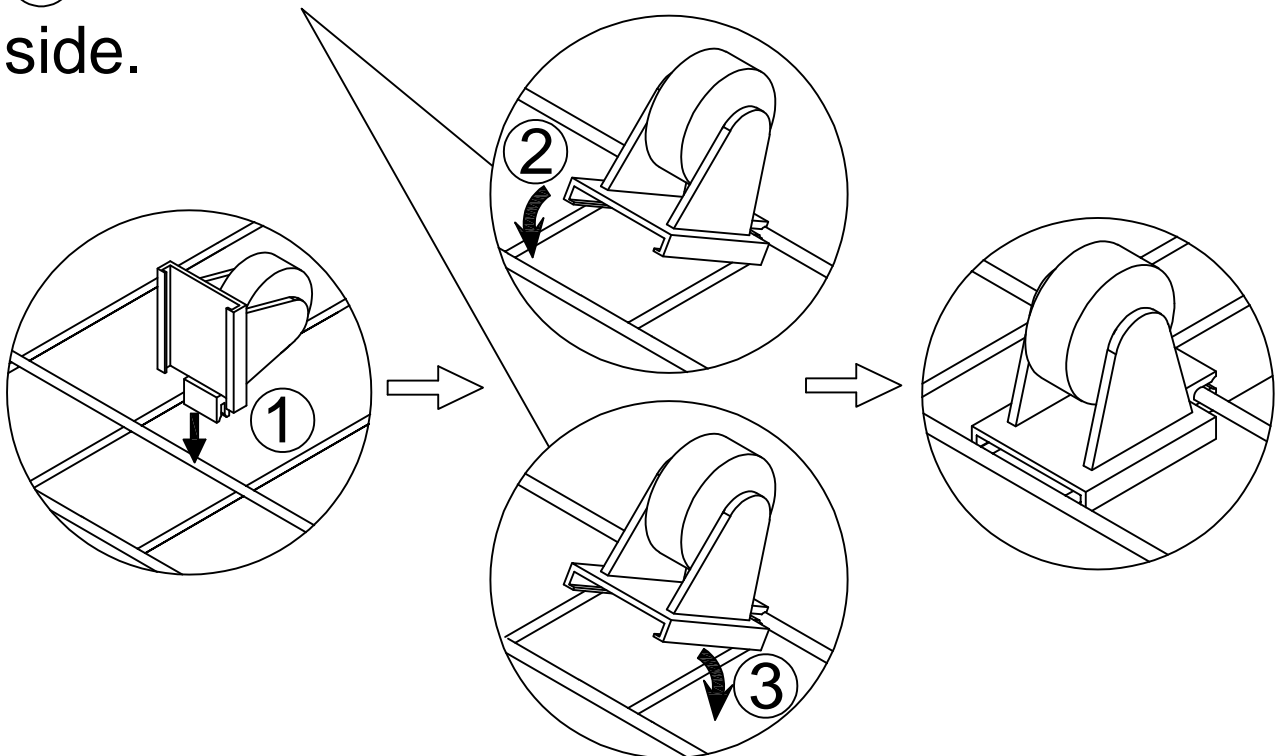


16PCS





X4

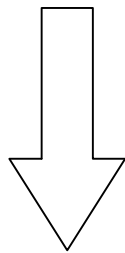
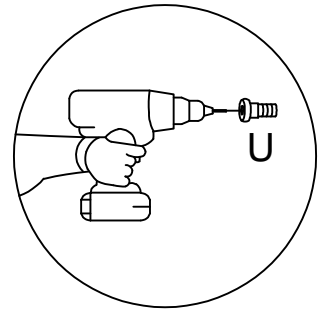
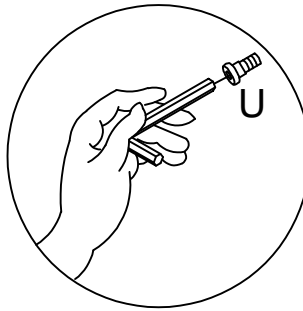
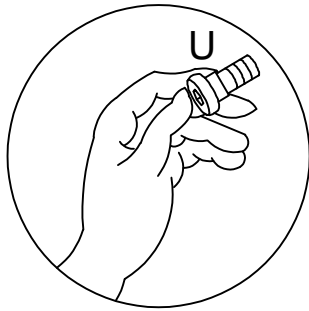
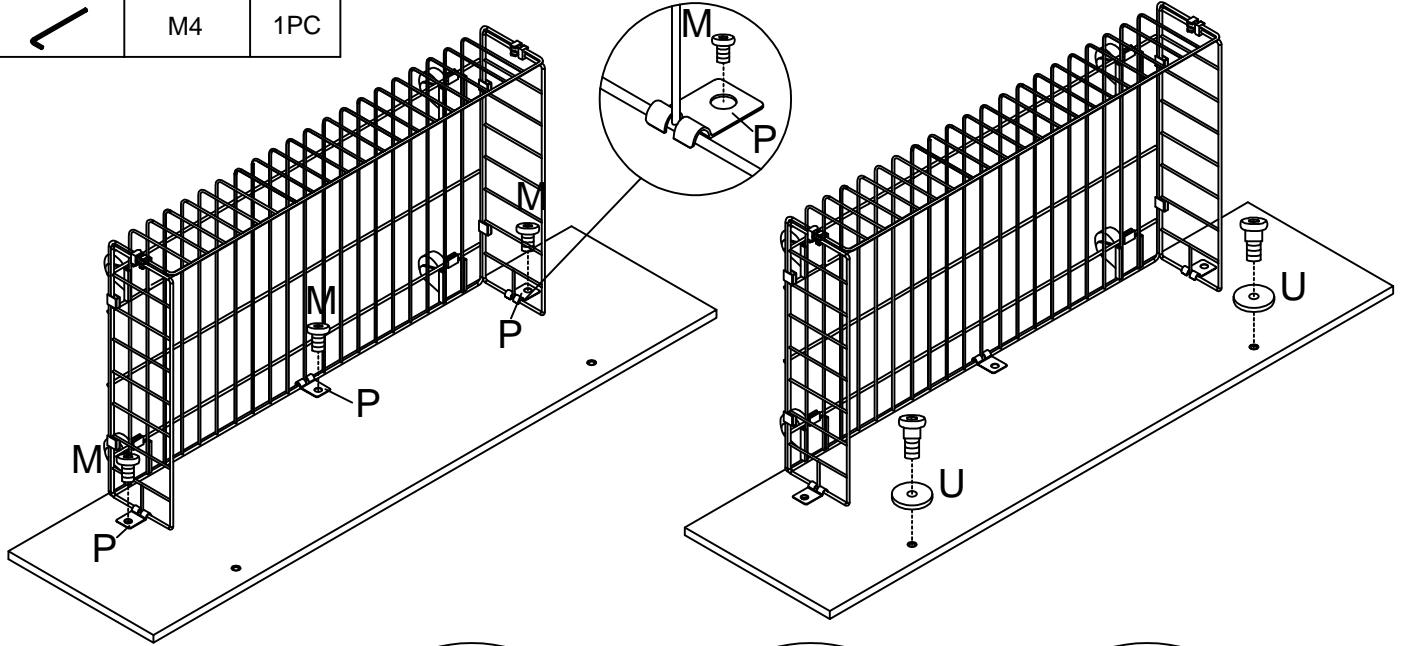


Attention: ② make sure plastic slot stuck into one side of the tube firstly, and ③ then to stuck into another side.

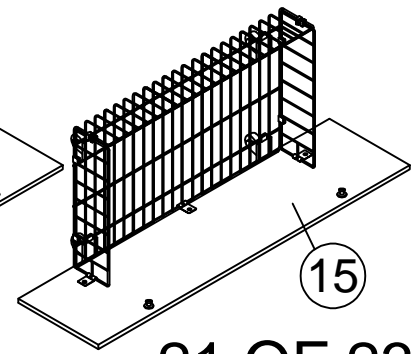
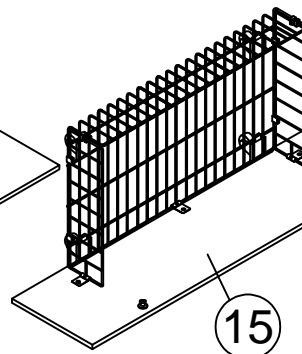
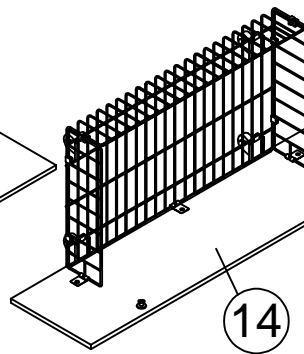
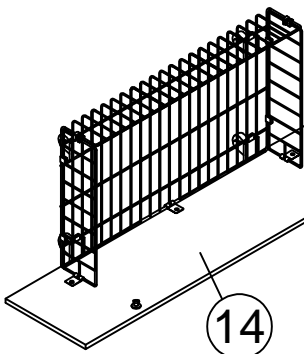


Step 33

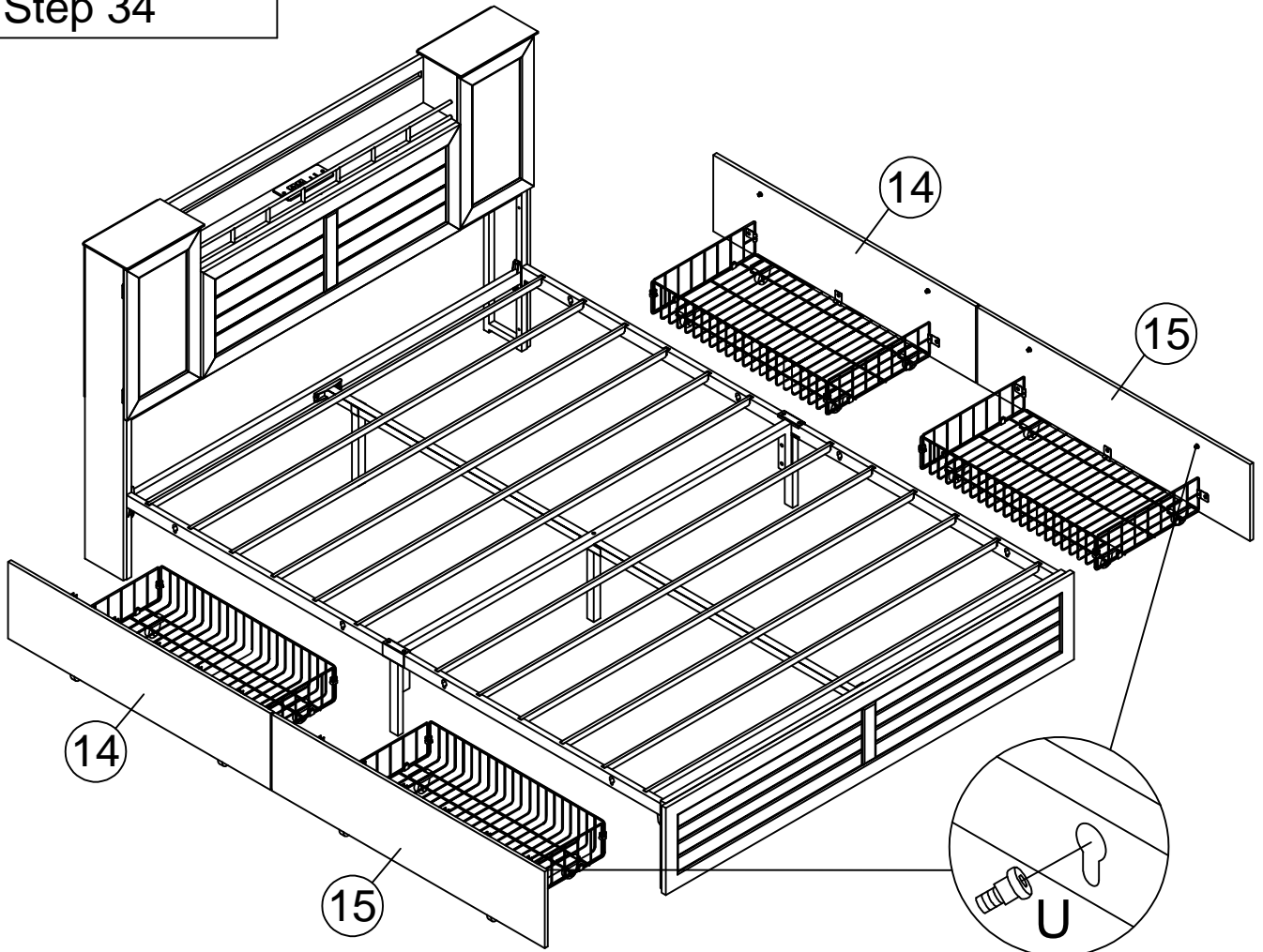
M		M6x10	12PCS
P			12PCS
U			8PCS
W		M4	1PC



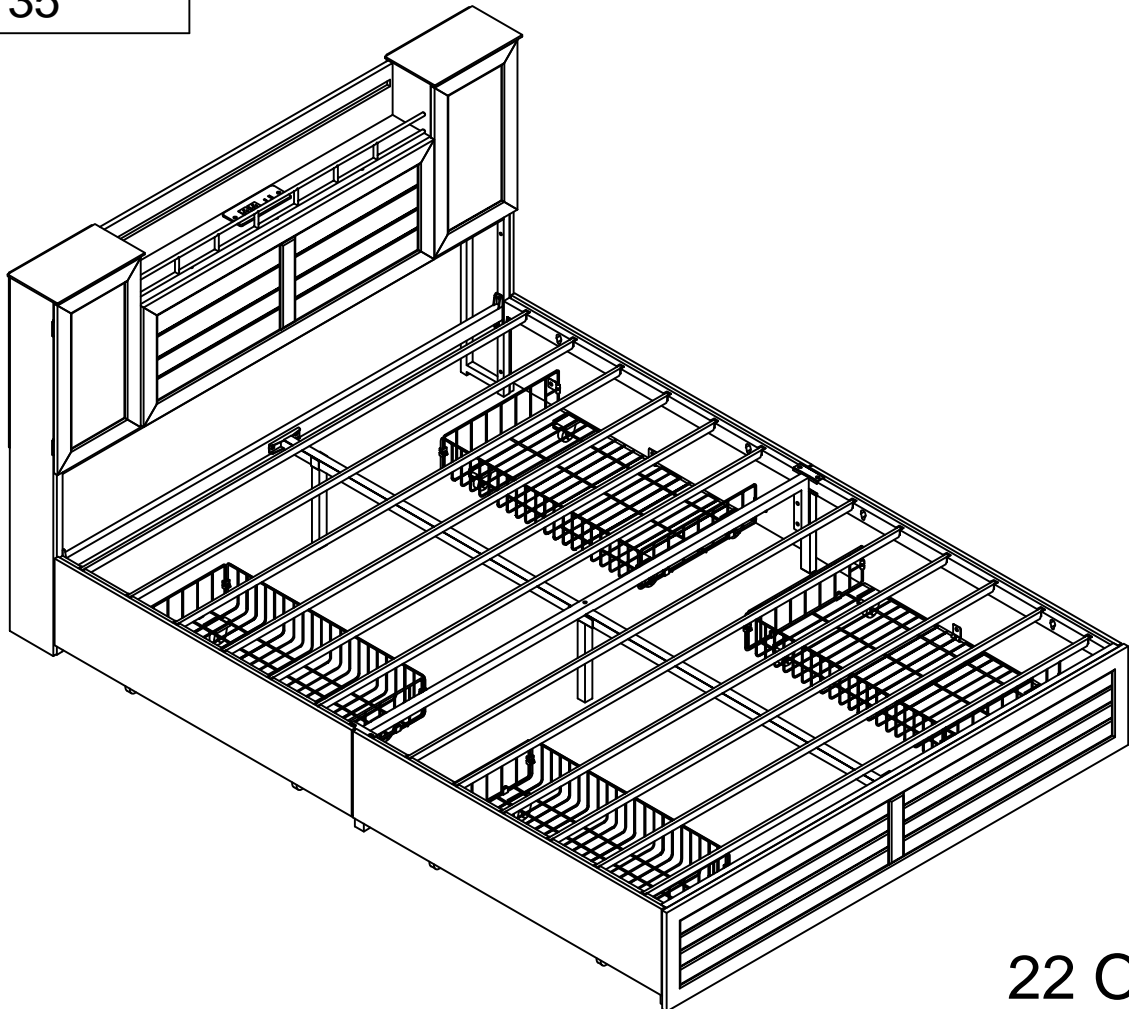
Note: Please don't fully tighten U screws to the board.



Step 34



Step 35



Step 36

