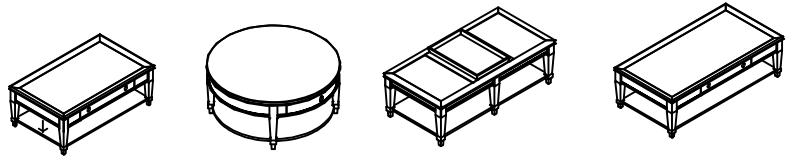


# ASSEMBLY INSTRUCTIONS



## TOOLS REQUIRED:

Screw Driver (Not Provided)

## BEFORE YOU START:

1. Check the parts against the parts list to make sure all items are present.
2. Assemble your furniture on a soft, flat surface to avoid scratching the finish.
3. **CAUTION:** Do not over tighten screws, nuts or bolts during assembly.
4. Your furniture may require occasional tightening.

## INSTRUCTIONS:

1. Turn the table upside down on a clean soft surface.
2. Attached the leg to the apron of the table top using bolt (A), lock washer (B) and flat washer (C), tighten with the wrench (D). As shown Fig.1 Repeat for other leg but leave bolts loose for shelf attachment.
3. Attach the wood shelf to legs using screw (E). As shown Fig. 2
4. Tighten all bolts before using the table.

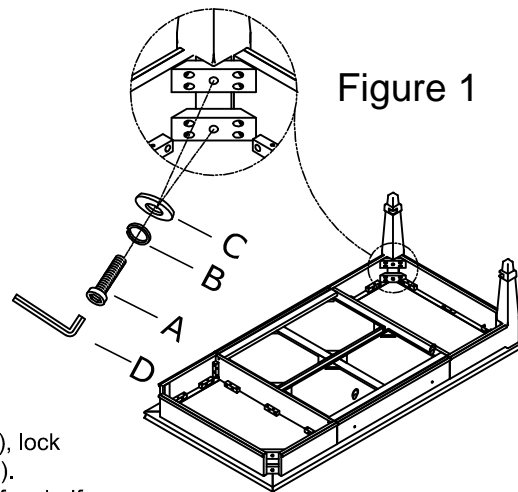
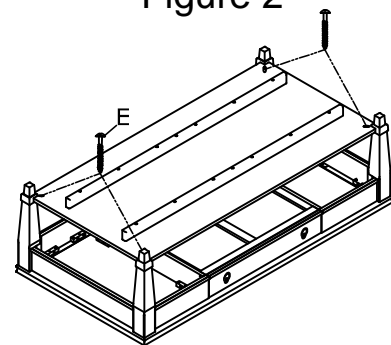


Figure 1

Figure 2



HARDWARE LIST				
NO.	Drawing	Description	Q'TY 197-910/913	Q'TY 197-912
A		Allen Bolt (ø5/16*2-1/4")	8 pcs	12 pcs
B		5/16" Spring Washer	8 pcs	12 pcs
C		5/16" Flat Washer	8 pcs	12 pcs
D		Wrench	1 pc	1 pc
E		#8*1-1/4" SCREW	4 pcs	6 pcs

Thank you for purchasing furniture from us !