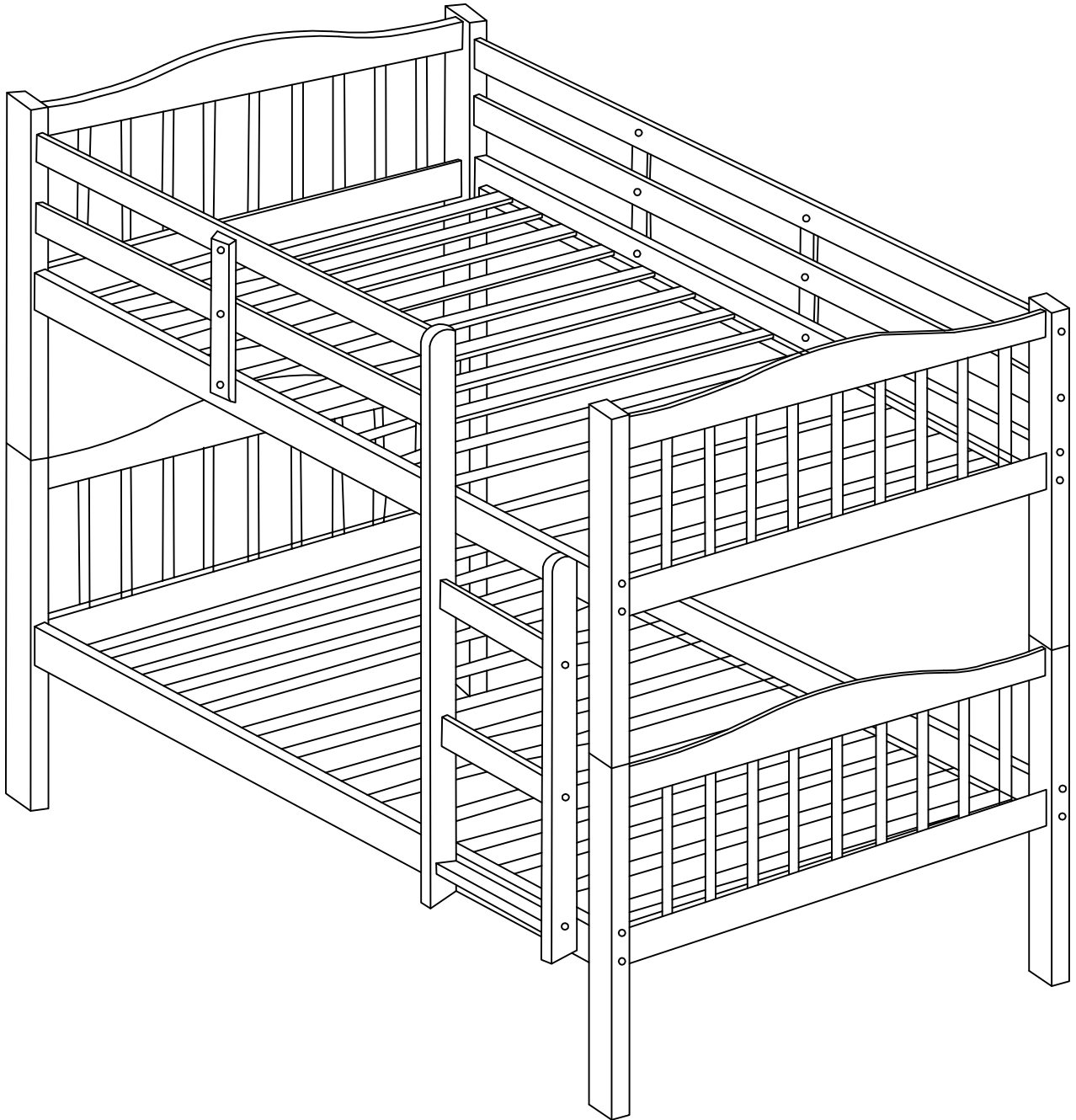


ASSEMBLY INSTRUCTION:


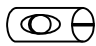

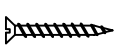
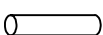



- Follow the information on the warnings appearing on the upper bunk end structure and on the carton. Do not remove warning label from bed.
- The use of water or sleep flotation mattresses is prohibited.

Bunk bed




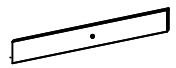



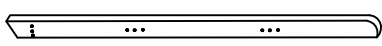
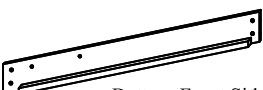
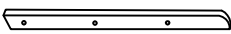

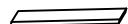
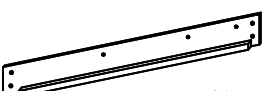
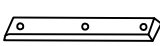


-Follow the information on the warnings appearing on the upper bunk end structure and on the carton. Do not remove warning label from bed.
 -The use of water or sleep flotation mattresses is prohibited.

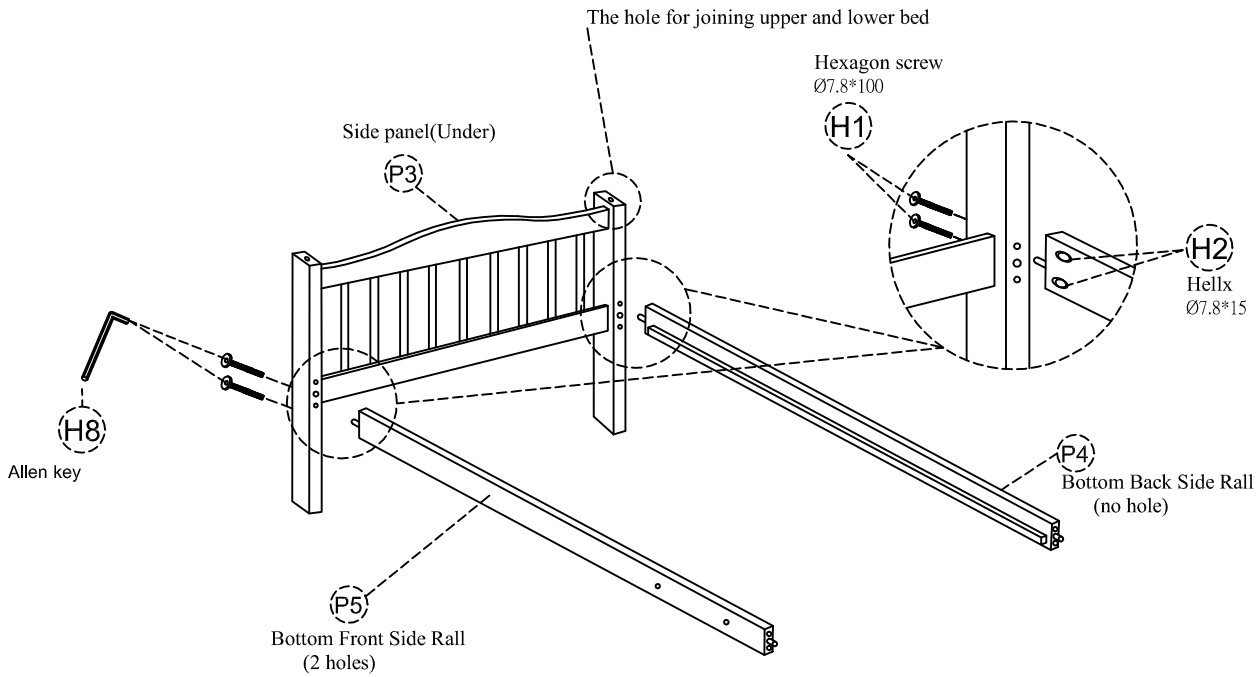
Hardware List

NO	DRAWING	DESCRIPTION	SIZE	Q'ty
H1		HEXAGON SCREW:	Ø7.8*100	22pcs
H2		HELIX:	Ø7.8*15	22pcs
H3		HEXAGON SCREW:	Ø6.3*35	9pcs
H4		SCREW:	Ø4*30	52pcs
H5		METAL DOWEL:	Ø10*90	4pcs
H6		HEXAGON SCREW:	Ø6.3*40	6pcs
H7		HEXAGON SCREW:	Ø6.3*50	6pcs
H8		ALLEN KEY:		1pc

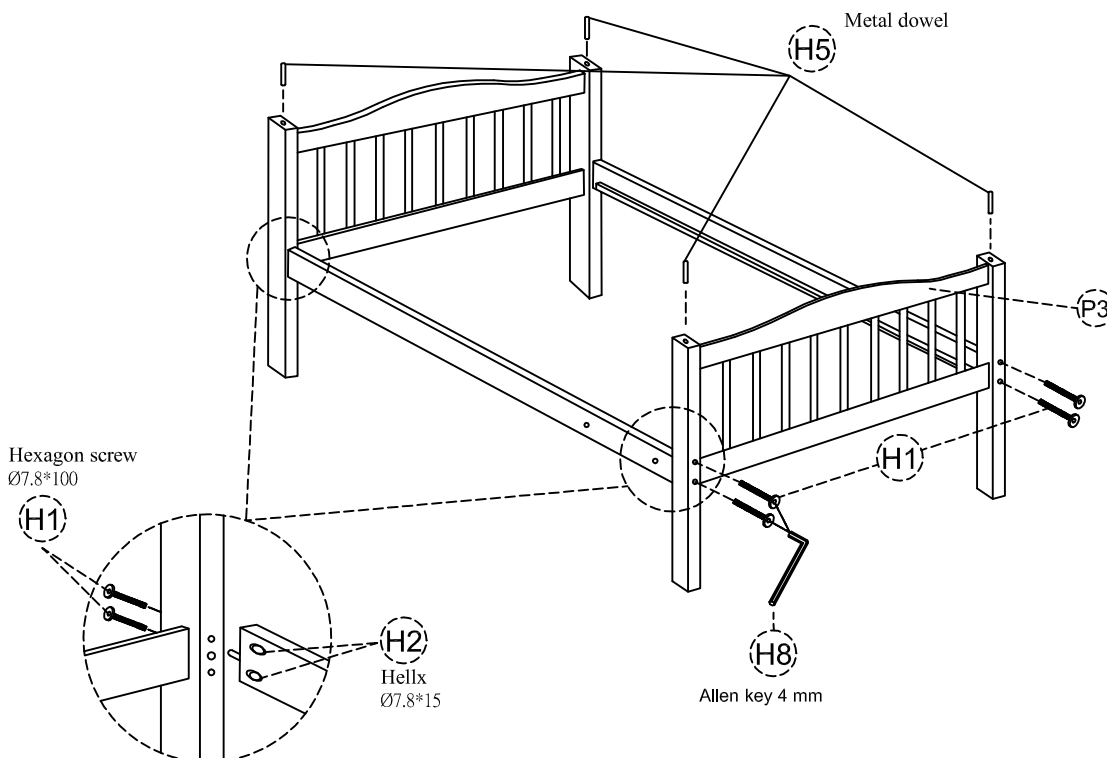
Component List

NO	DESCRIPTION	Q'ty	NO	DESCRIPTION	Q'ty
P1	Side panel (left 18 hole) 	1pc	P8	 Back Guard Rails(2 holes)	2pcs
P2	Side panel (right 12 hole) 	1pc	P9	 Front Guard Rails(1 hole)	2pcs
P3	Side panel (Under) 	2pcs	P10	 Slats	26pcs
P4	 Bottom Back Side Rail (no hole)	1pc	P11	 Ladder post(left)	1pc
P5	 Bottom Front Side Rail (2 holes)	1pc	P12	 Ladder post(right)	1pc
P6	 Top Back Side Rail (2 holes)	1pc	P13	 Ladder steps	3pcs
P7	 Top Front Side Rail (3 holes)	1pc	P14	 Guard Rails Retainers	3pcs

-Follow the information on the warnings appearing on the upper bunk end structure and on the carton. Do not remove warning label from bed.
-The use of water or sleep flotation mattresses is prohibited.

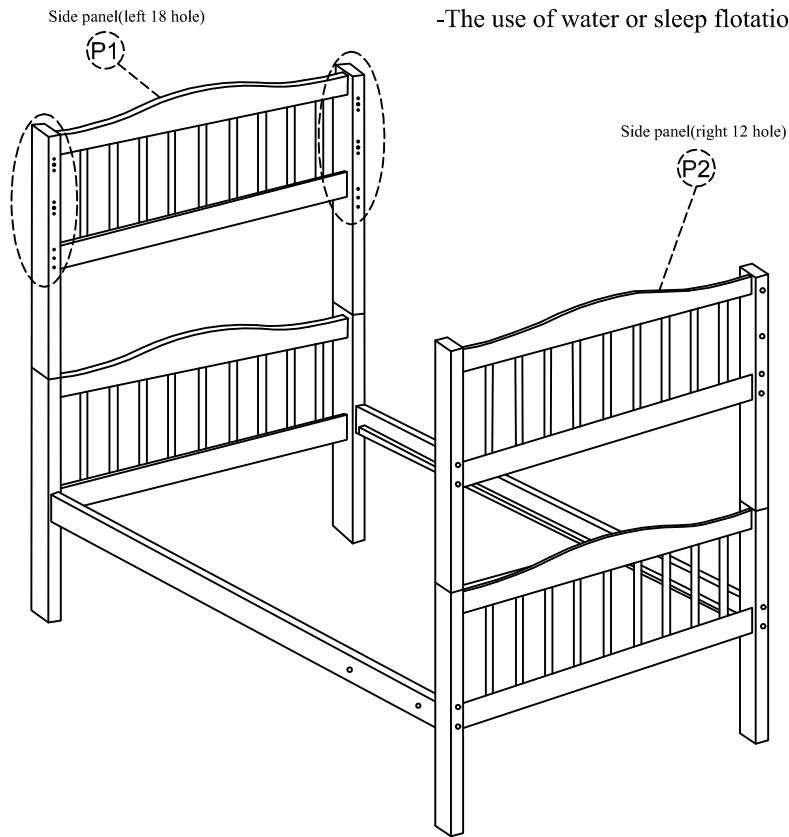


Step 1: Put the side panel(P3) beside the wall and attach the bottom back side rail(no hole)(P4) and bottom front side rail(2 holes)(P5) joining them to the lower left headboard by hexagon screw 7.8x100(H1) and helix 7.8x15(H2) after that tighten screws by allen key(H8).

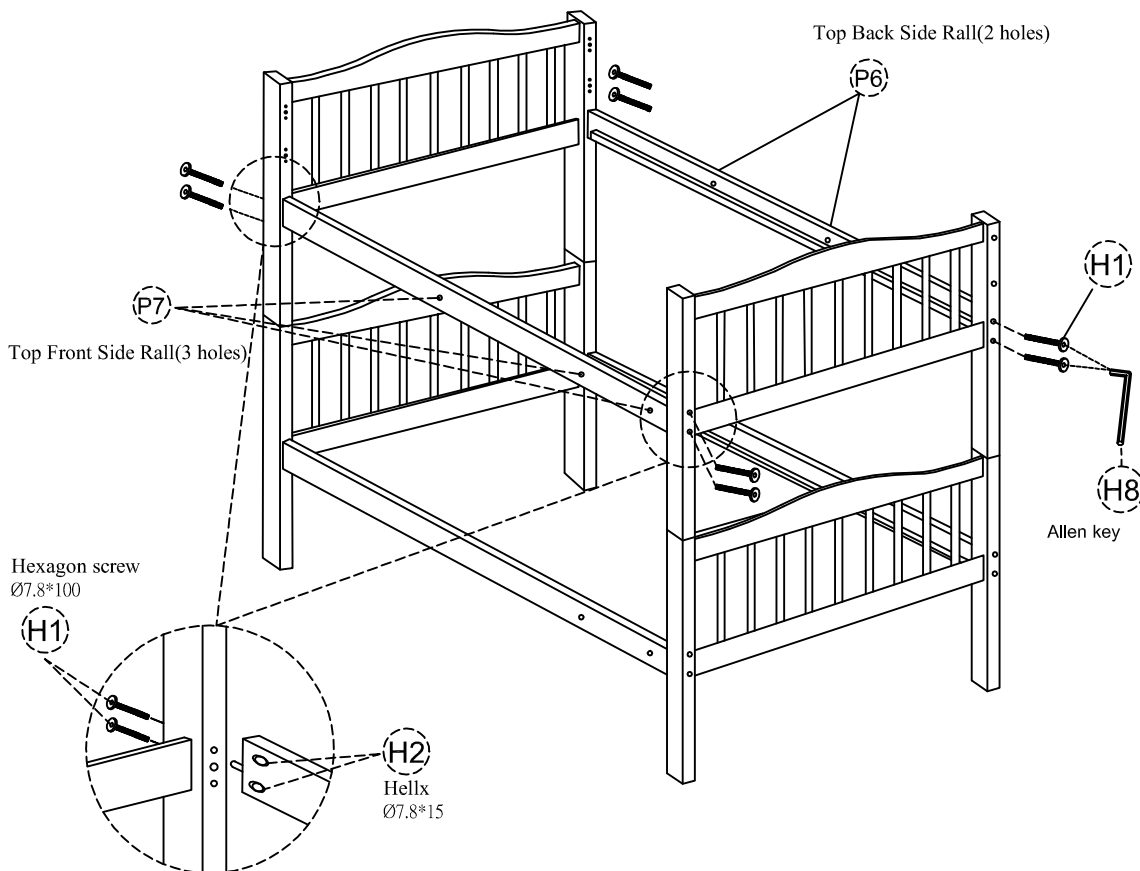


Step 2: Attach the bottom back side rail(P4) and bottom front side rail(P5) join them to side panel (P3) and tighten screws by allen key and put 4pcs metal dowels(H5) into the holes joining bed.

-Follow the information on the warnings appearing on the upper bunk end structure and on the carton. Do not remove warning label from bed.
-The use of water or sleep flotation mattresses is prohibited.

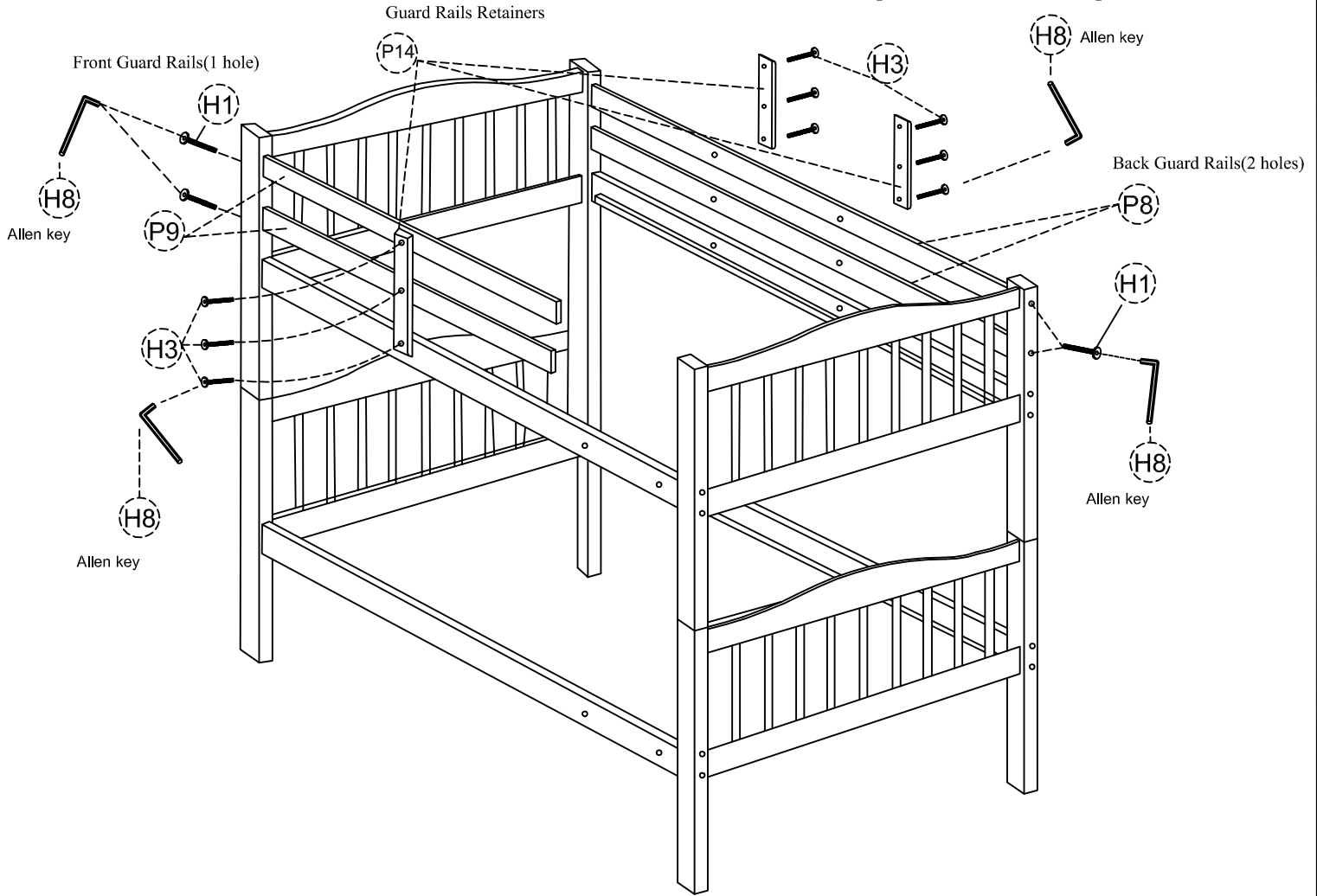


Step 3:Join the side panel (18 holes)marked (P1)and side panel(12holes)marked(P2) with lower bed as it above the picture.

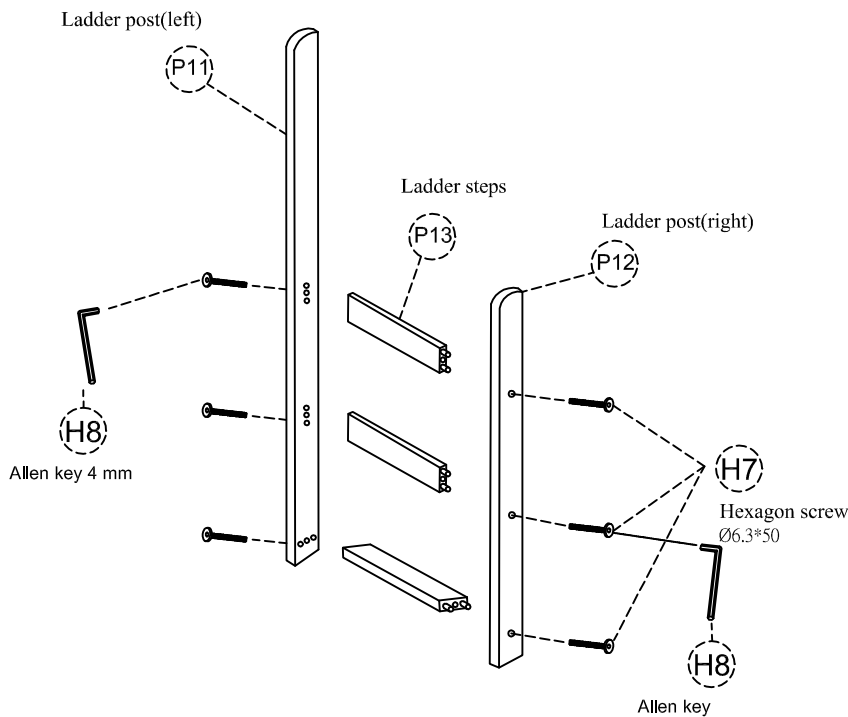


Step 4:Attach the top back side rail(2 holes)marked(P6)and top front side rail(3 holes)(P7) with side panel(P1)and side panel(P2)by using screws(H1)and helix(H2)but do not fully tighten screws by allen key (H8).

-Follow the information on the warnings appearing on the upper bunk end structure and on the carton. Do not remove warning label from bed.
 -The use of water or sleep flotation mattresses is prohibited.

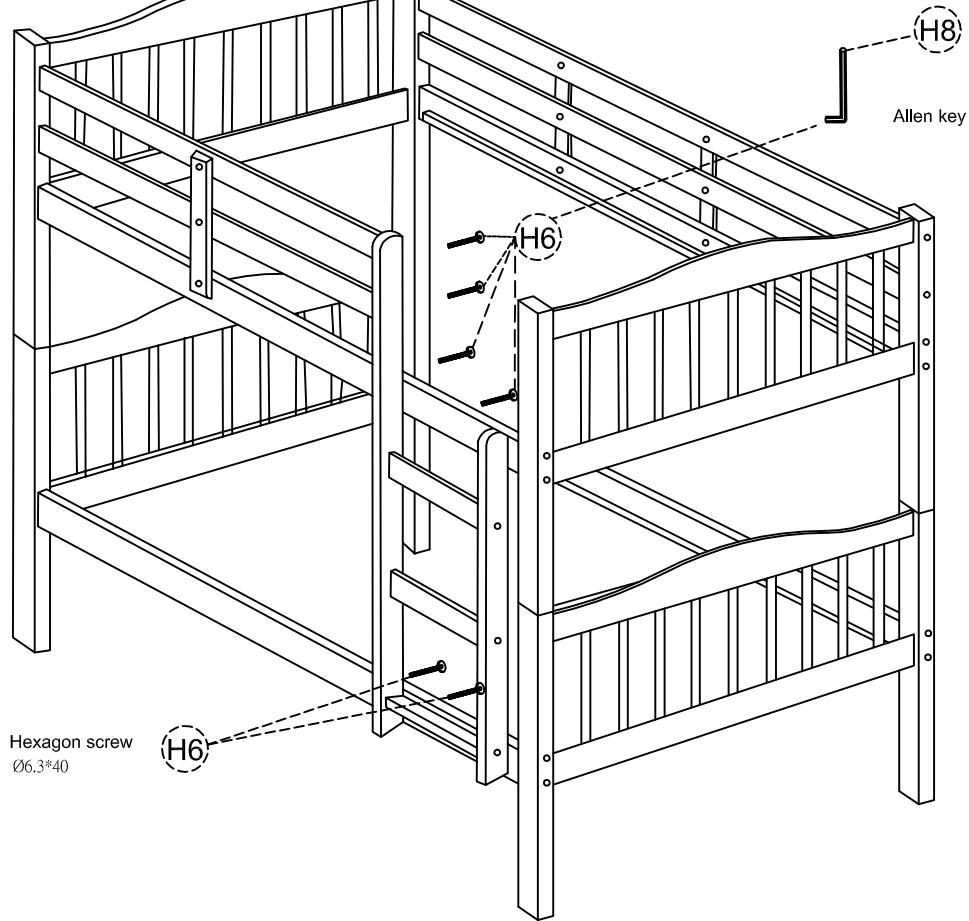


Step 5: Attach the back guard rail(2 holes) marked(P8)and front guard rails(1 hole)marked (P9)with upper side panels by using screw (H1) and helix (H2) after that tighten screw by allen key(H8) and linking 3 guard rail retainers marked(P14)with together by screws(H3)and using allen key marked(H8).

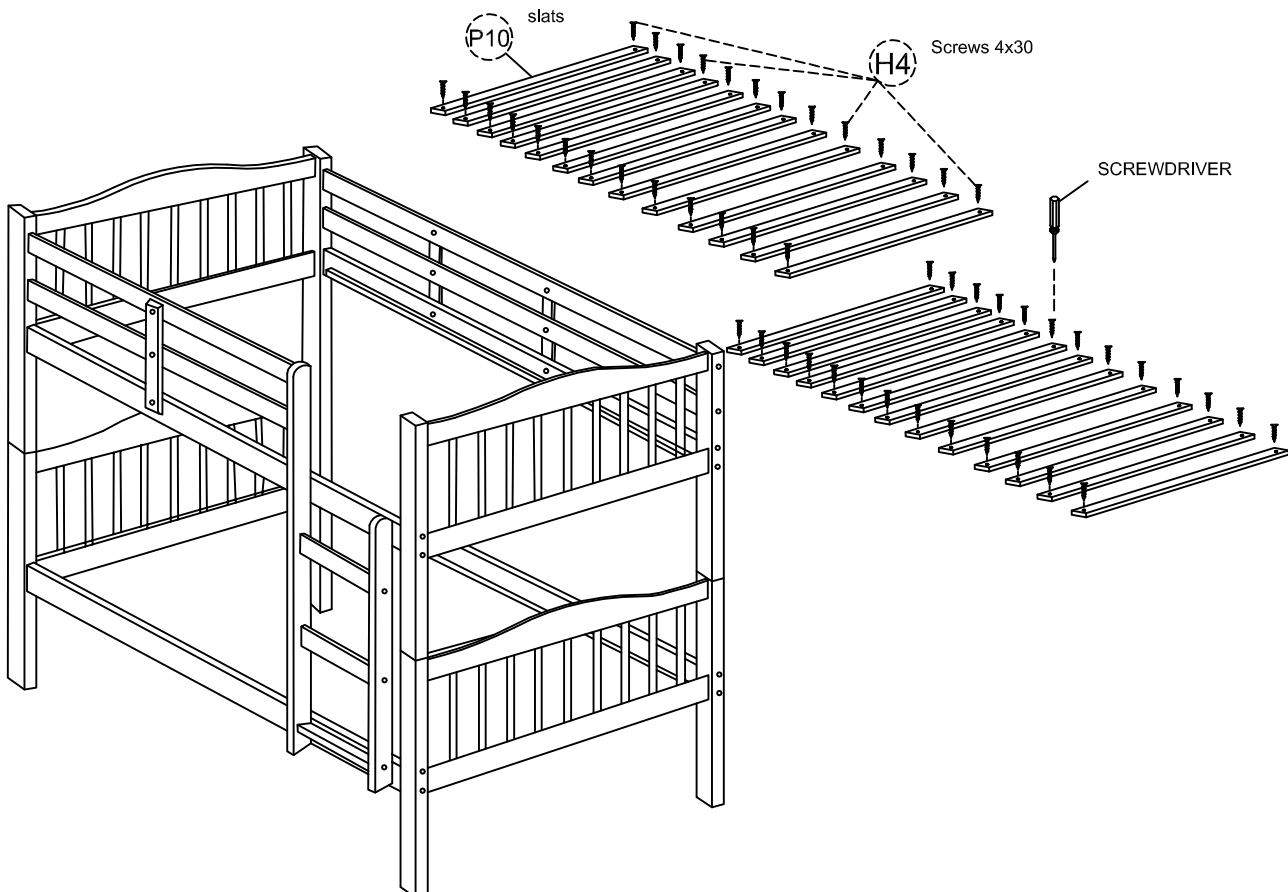


Step 6: Set up the ladder according to instruction as the above picture and tighten screws by allen key .

-Follow the information on the warnings appearing on the upper bunk end structure and on the carton. Do not remove warning label from bed.
-The use of water or sleep flotation mattresses is prohibited.



Step 7: Attach the ladder with the bunk bed, with screws(H6)and tighten screws by allen key from inside of the bunk bed as the above picture.



Step 8: Tighten all screws, put 13 slats for each of bed and use screws marked(H4)and tighten all slats by screwdriver (not provide) as the above picture.

IMPORTANT NOTICE

- Please only use Standard Twin Size Mattress -74"-75"long and 37 1/2"-38 1/2" wide
- Ensure thickness of mattress does not exceed7"and mattress is at least 5"below upper edge of guardrails

Safety Warning-

- Do Not remove warning label from bed
- Always use the recommended size mattress or mattress support,or both,to help prevent the likelihood of entrapment or falls
- Surface of mattress must be at least 5"(127mm)below the upper edge of guardrails
- Do not allow children under 6 years of age to use the upper bunk
- Periodically check and ensure that the guardrail, ladder,and other components are in their proper position,free from damage, and that all connectors are tight
- Do not allow horseplay on or under the bed and prohibit jumping on the bed
- Always use the ladder for entering and leaving the upper bunk
- Do not use substitute parts-Contract the manufacturer or dealer for replacement parts
- Use of night light may provide added safety precaution for a child using the upper bunk
- Always use guardrails on both long sides of the upper bunk.If the bunk bed will be placed next to the wall,the guardrail that runs the full length of the bed should be placed against the wall to prevent entrapment between the bed and wall
- The used of water or sleep flotation mattress is prohibited
- STRANGULATION HAZARD-Never attach or hang items to any part of the bunk bed that are not designed for use with the bed;for example,but not limited to,hooks,belts,and jump ropes
- Keep these instructions for future reference