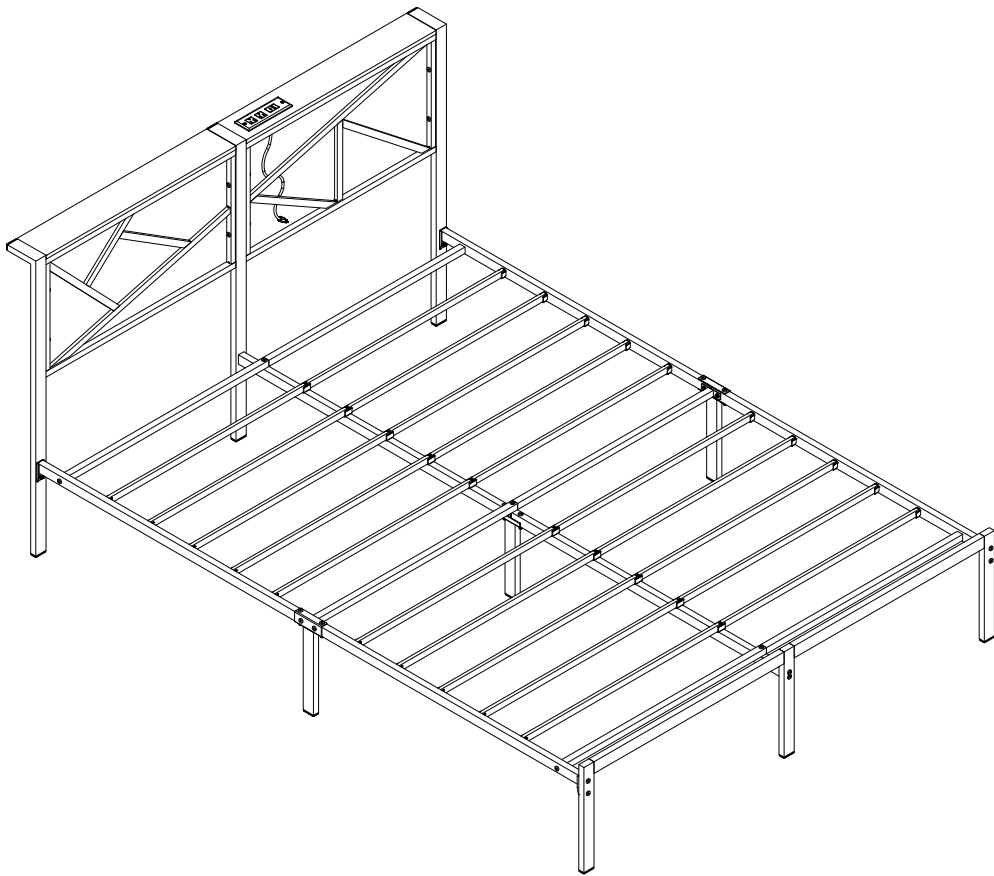
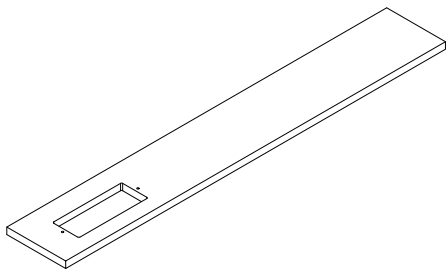


# Bed Frames

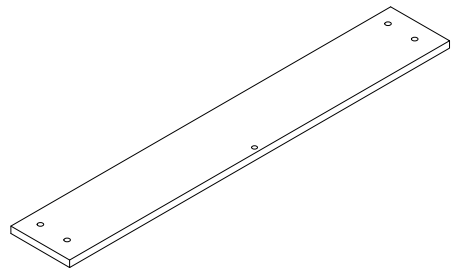


## Full/Queen

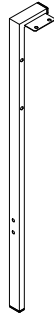
① x1



② x1



③ x1



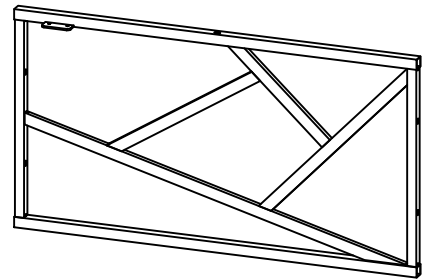
④ x1



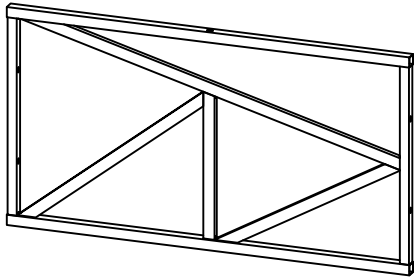
⑤ x1



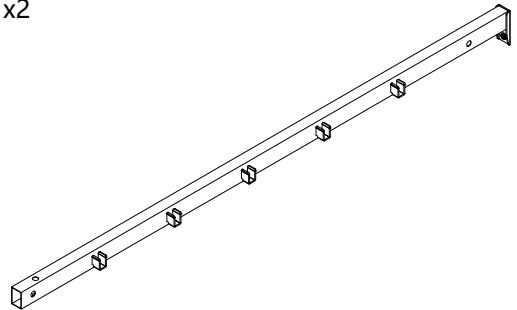
⑥ x1



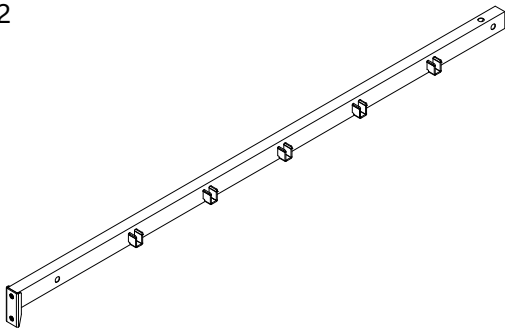
⑦ x1



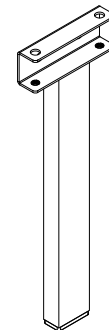
⑧ x2



⑨ x2



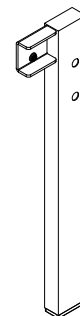
⑩ x2



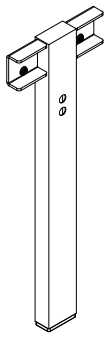
⑪ x1



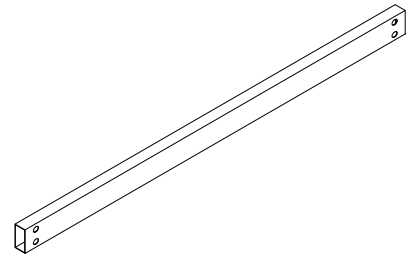
⑫ x1



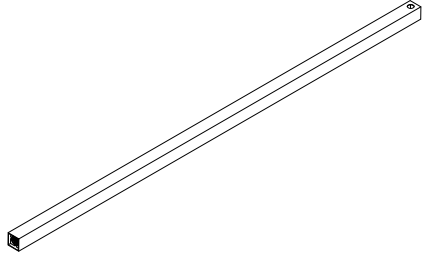
13 x1



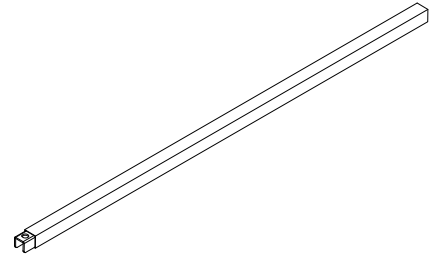
14 x2



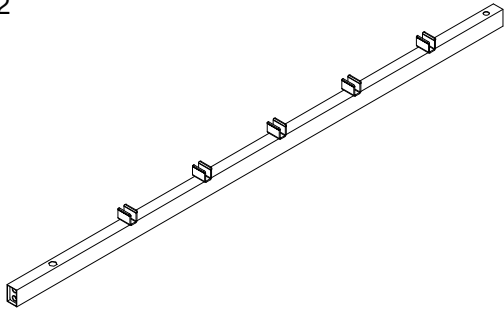
15 x2



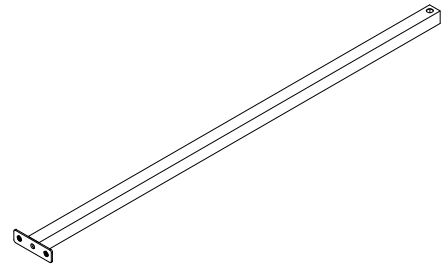
16 x2



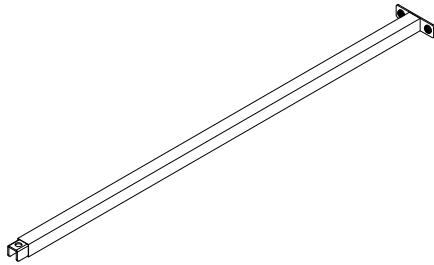
17 x2



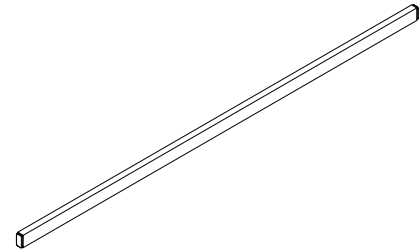
18 x1



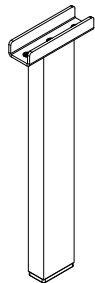
19 x1



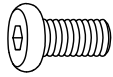
20 x20



21 x1

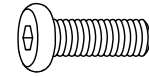


**A** x 16+2



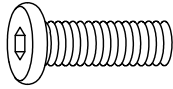
M6x10mm

**B** x 10+1



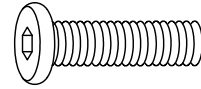
M6x26mm

**C** x 14+1



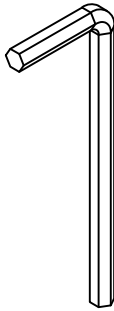
M8x30mm

**D** x 14+1



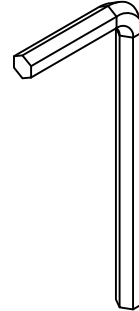
M8x45mm

**E** x 1



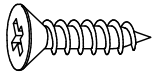
M4

**F** x 1



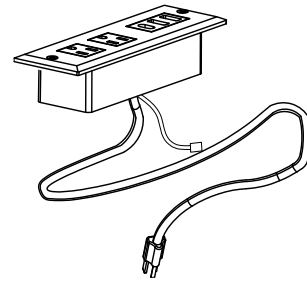
M5

**G** x 2+1

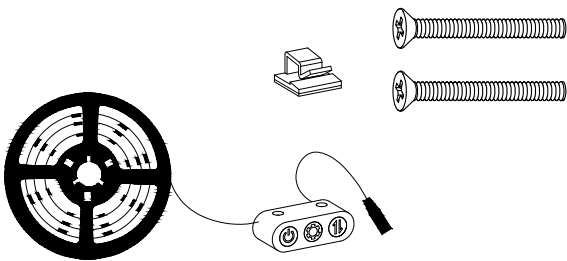


Ø4x10mm

**H** x 1

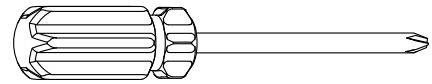


**I** x 1

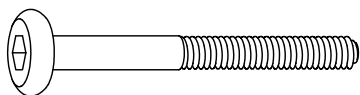


M4x22mm

**J** x 1

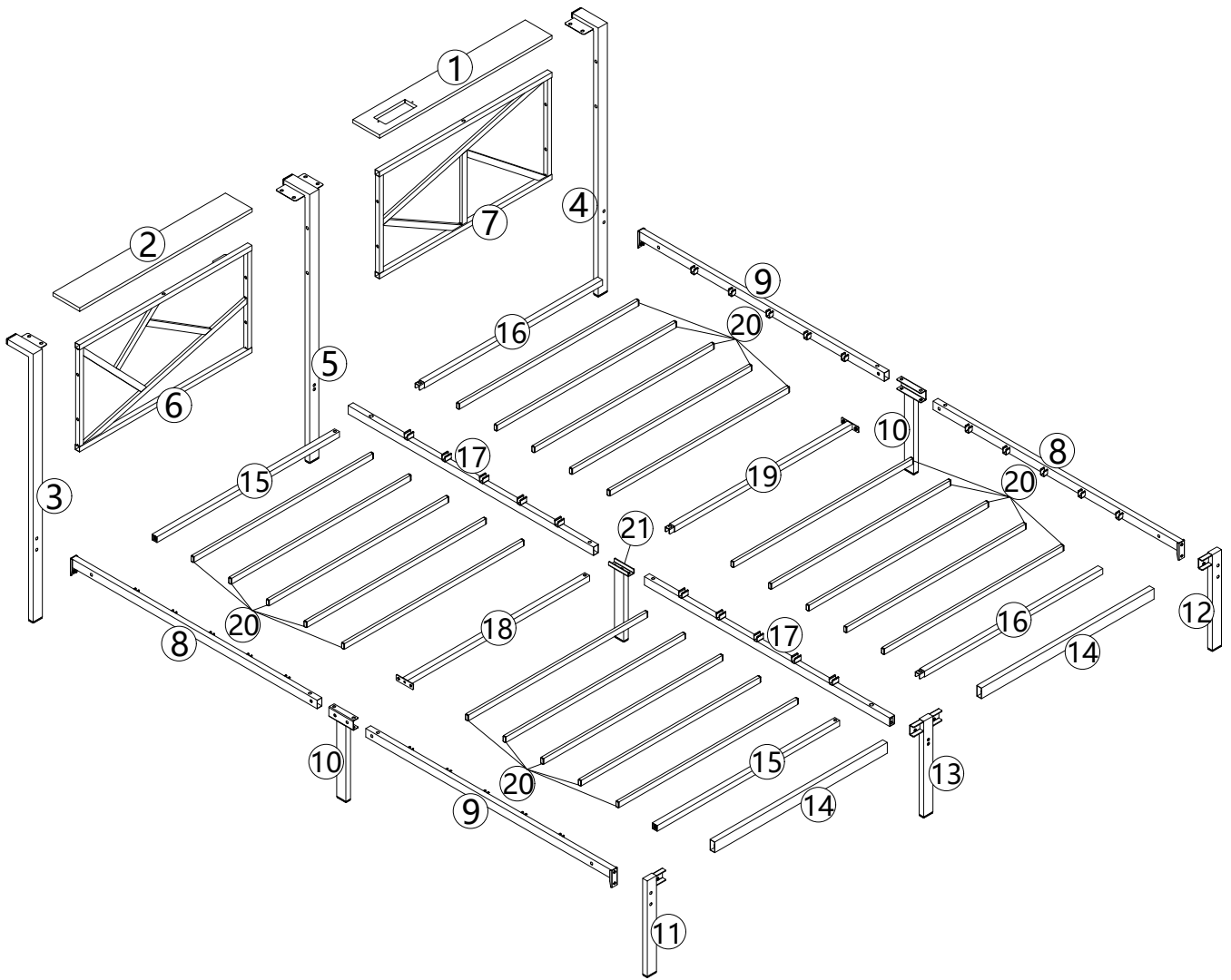


**K** x 1




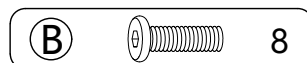
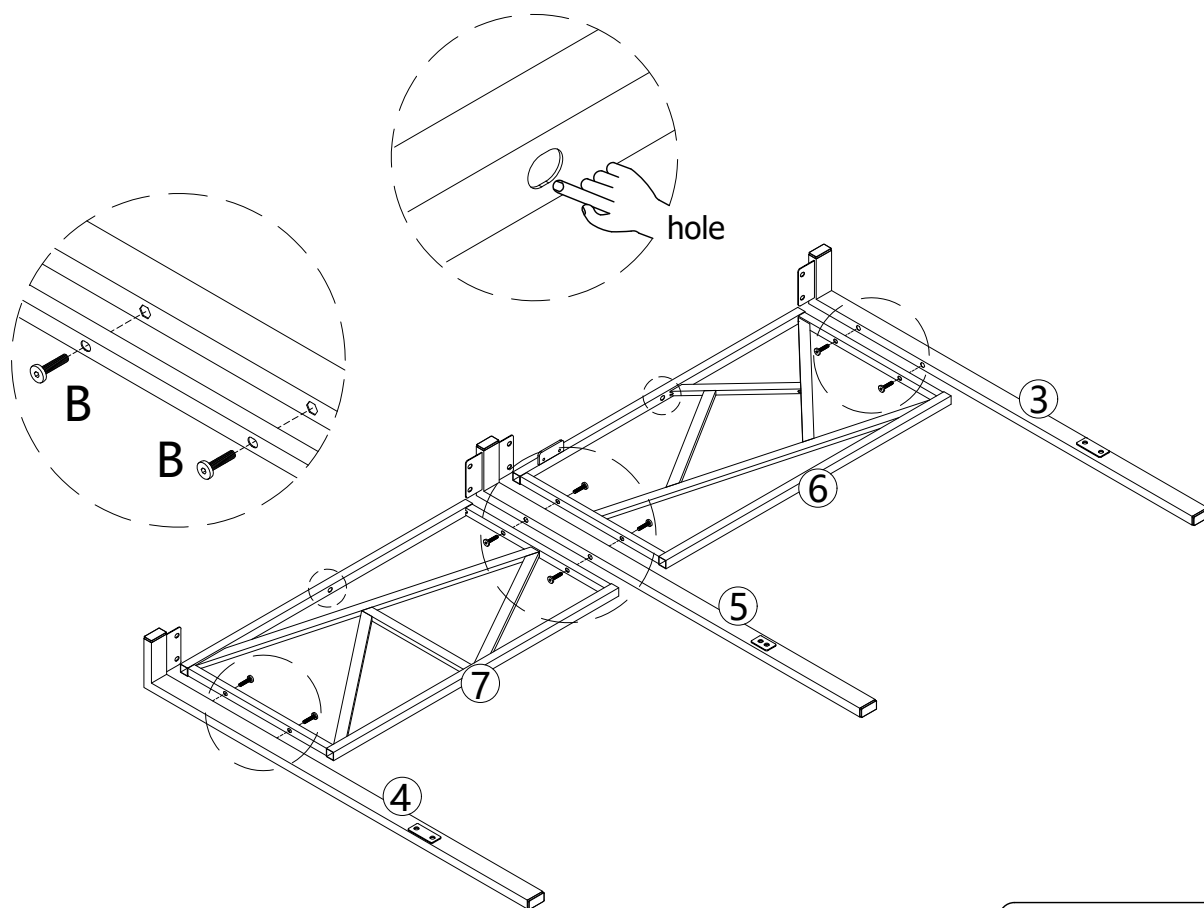
M8x70mm

# Parts list

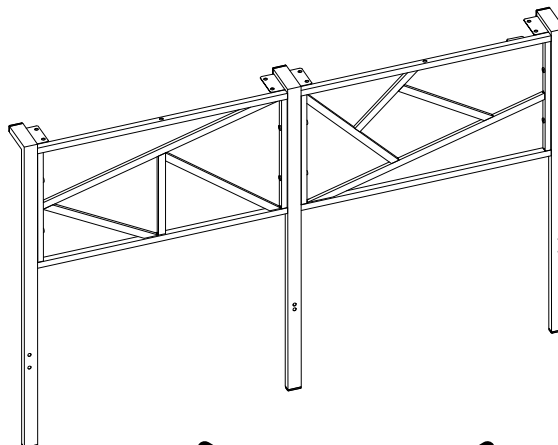
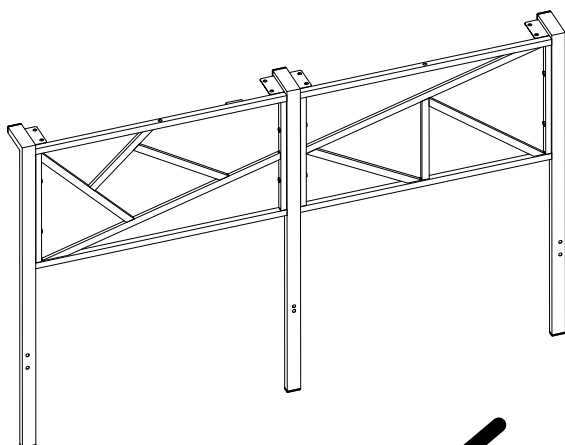


# Step 1


 Do not fully tighten the screws yet.

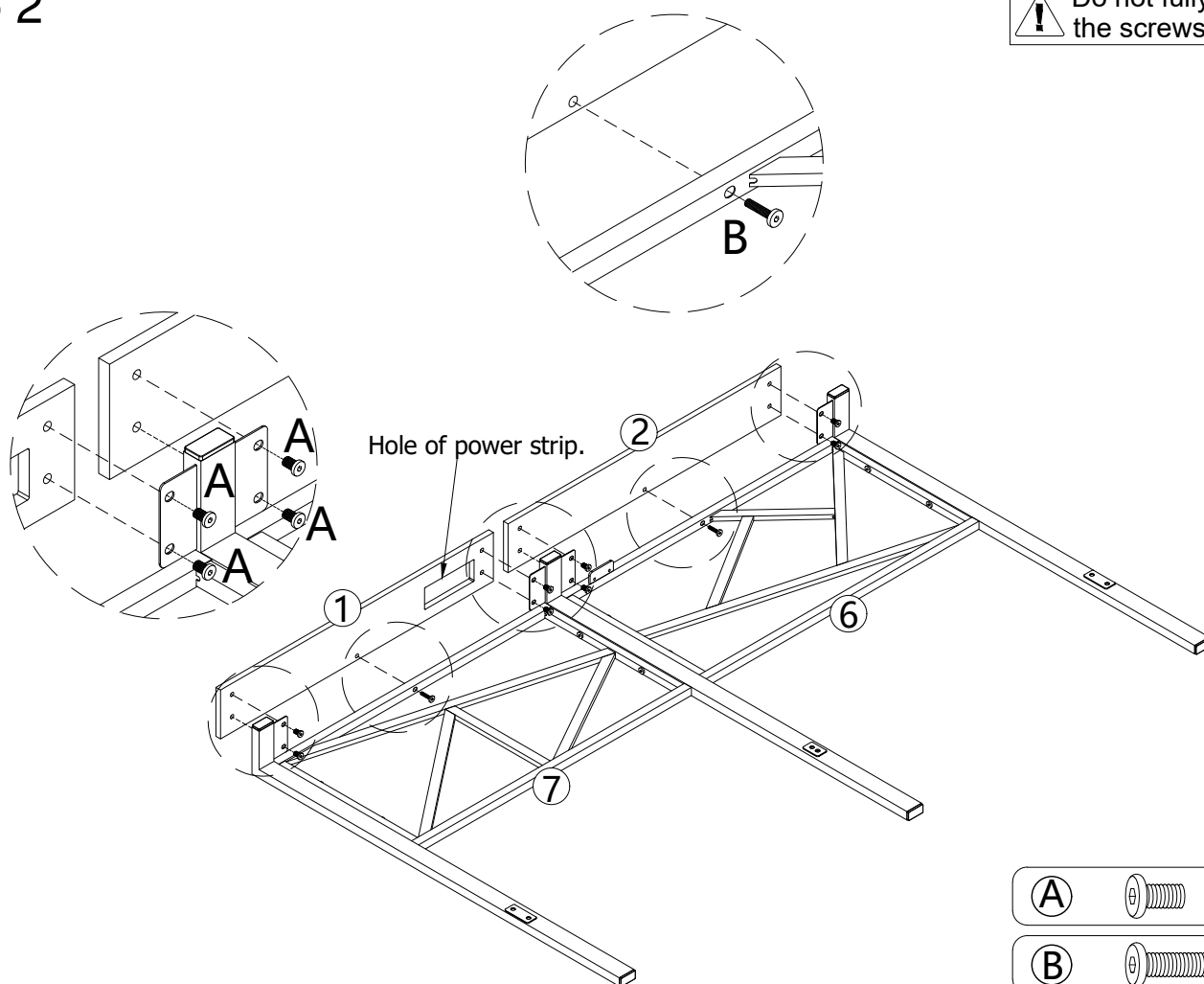



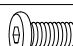
 Please pay attention to the direction of the iron frame.




## Step 2

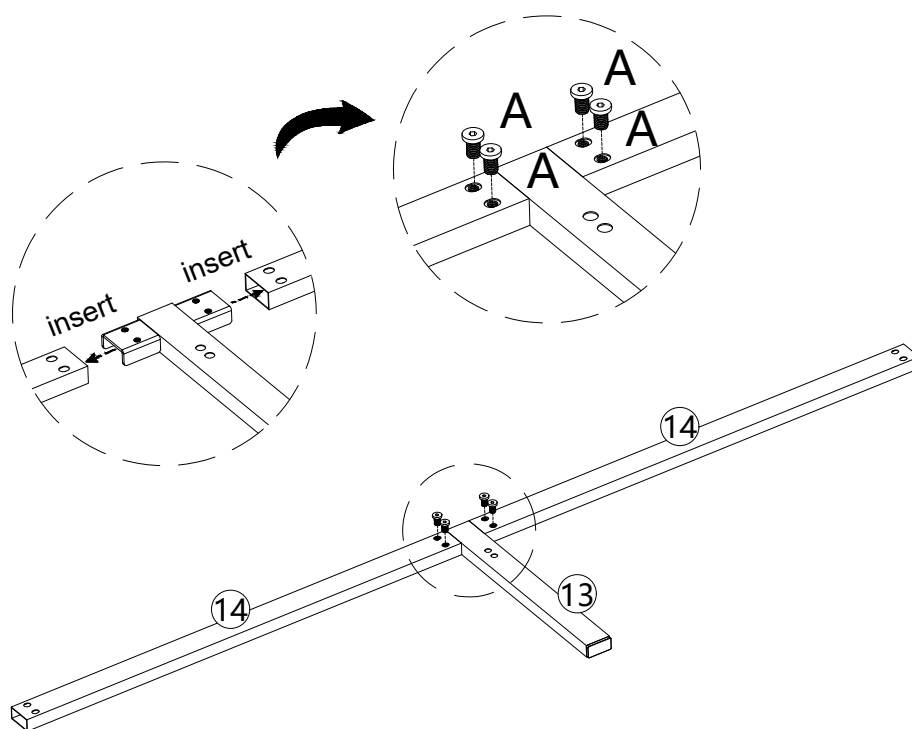
 Do not fully tighten the screws yet.




<b>A</b>		8
<b>B</b>		2


## Step 3

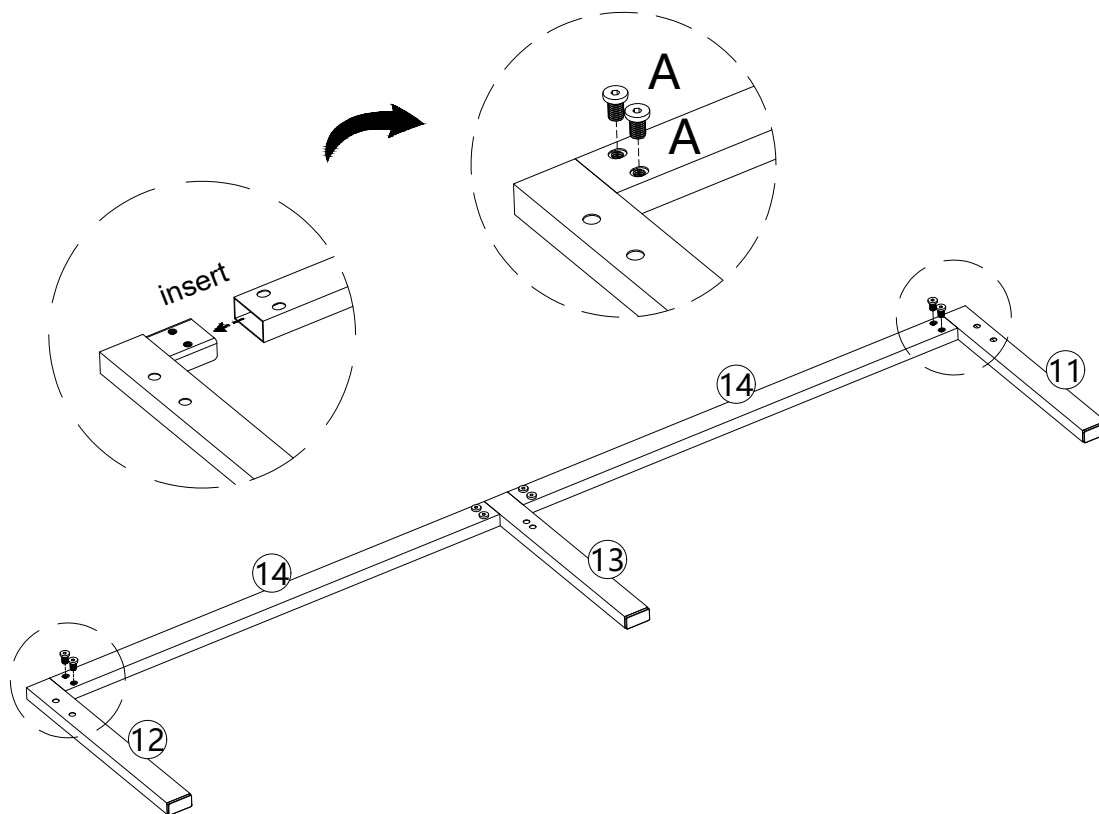
 Do not fully tighten the screws yet.





<b>A</b>		4
----------	---	---


# Step 4

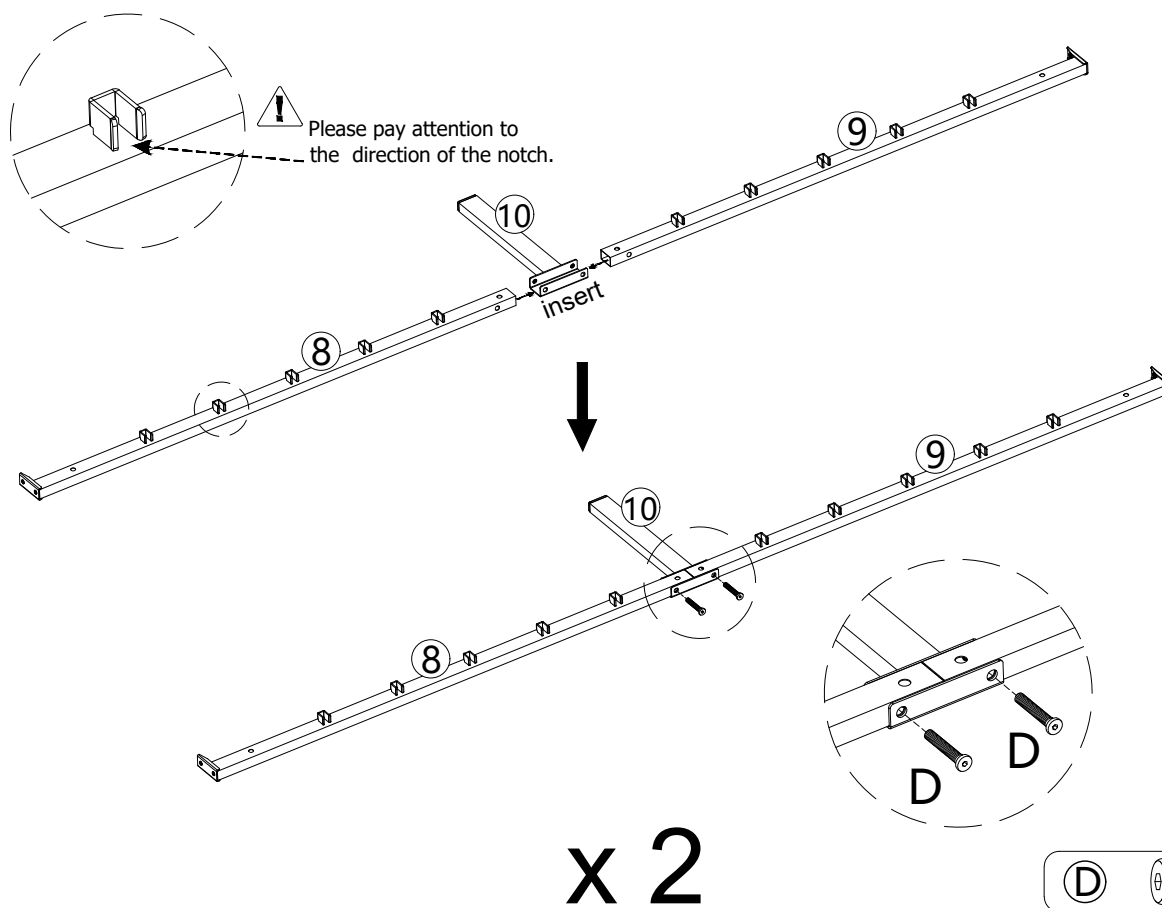
 Do not fully tighten the screws yet.


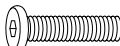


  4


# Step 5

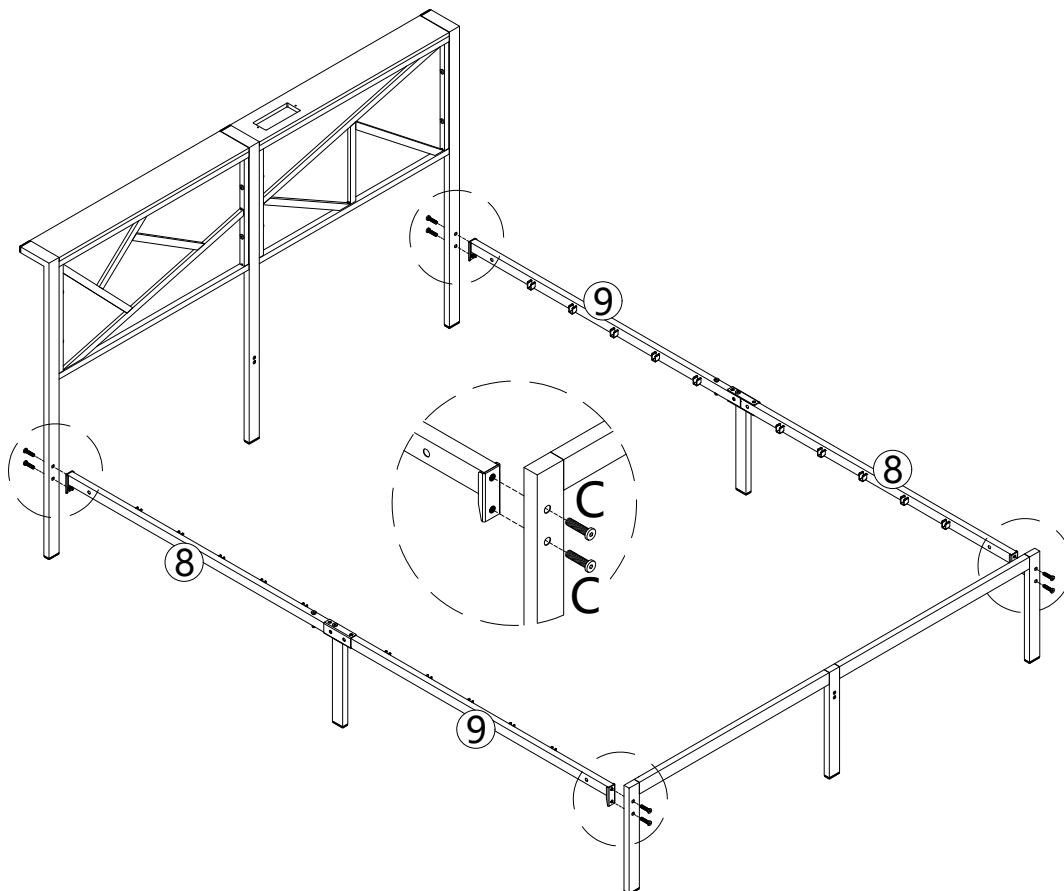
 Do not fully tighten the screws yet.


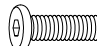


  4


# Step 6

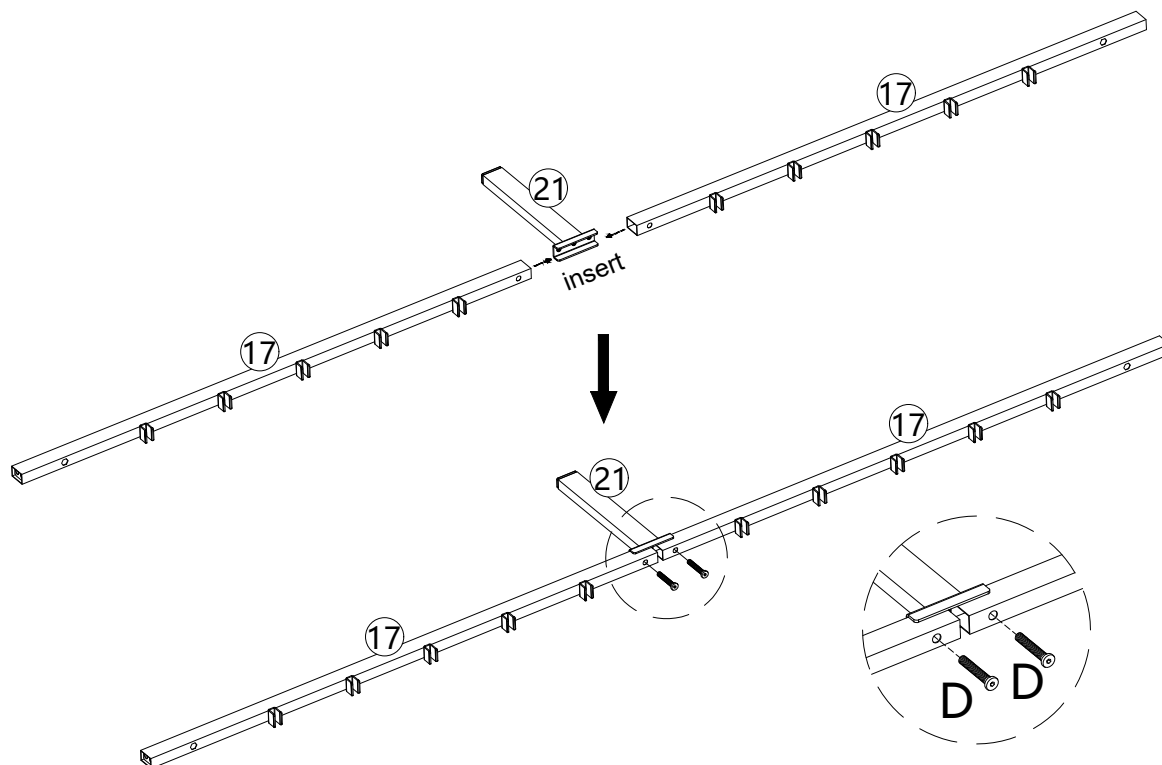
 Do not fully tighten the screws yet.





  8


# Step 7

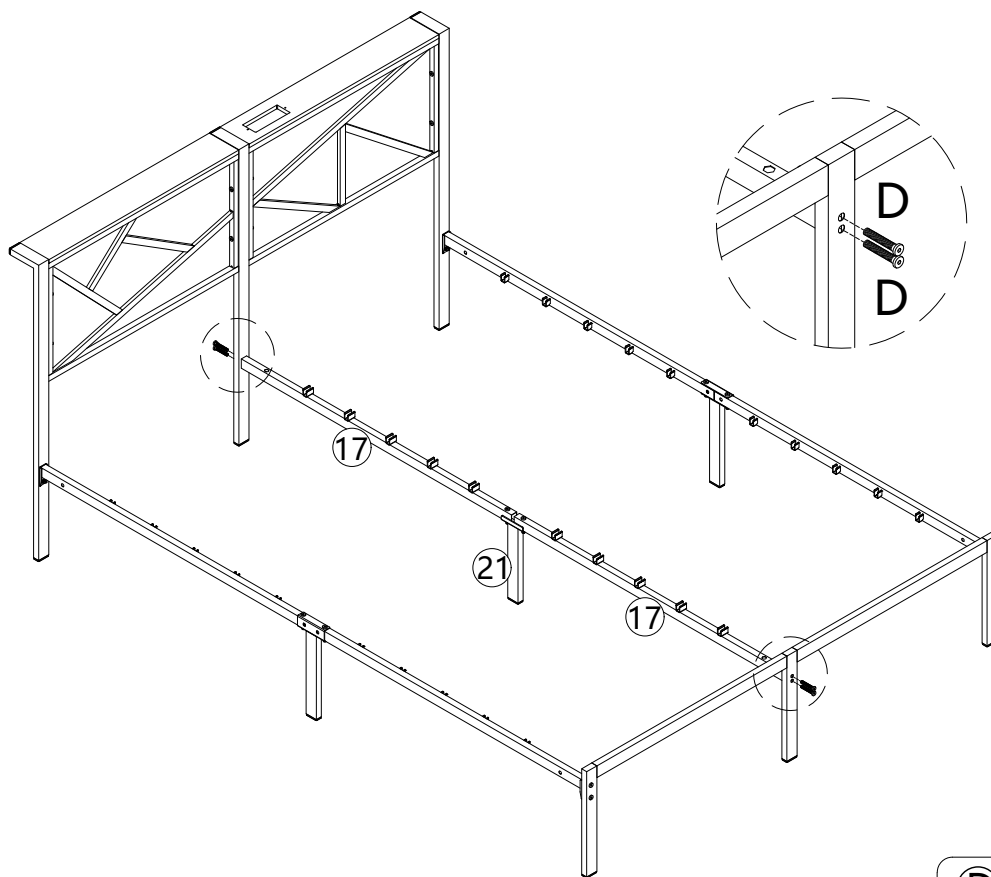
 Do not fully tighten the screws yet.


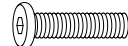


  2


# Step 8

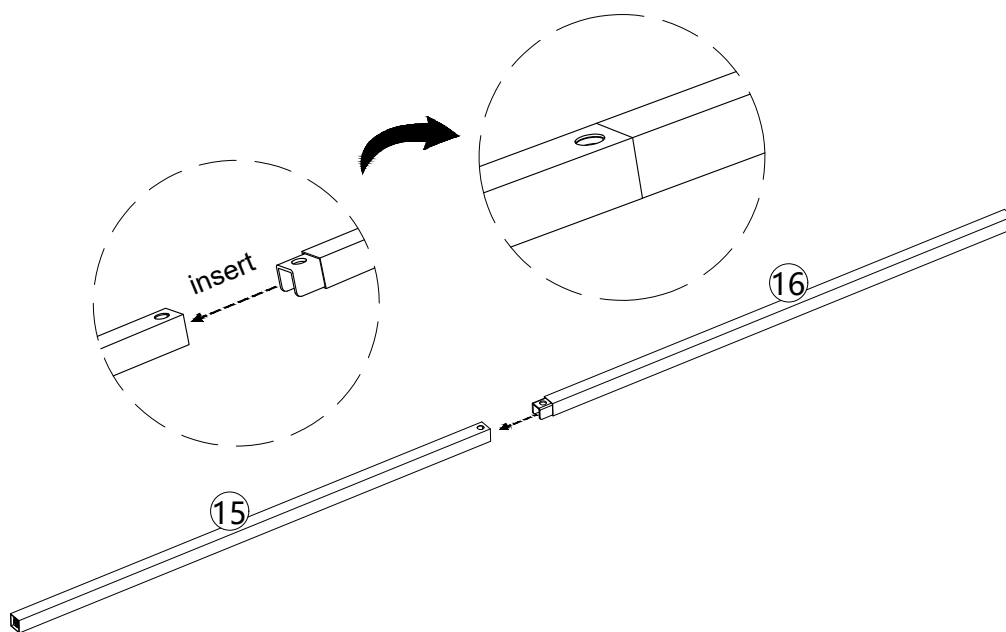
 Do not fully tighten the screws yet.



  4


# Step 9

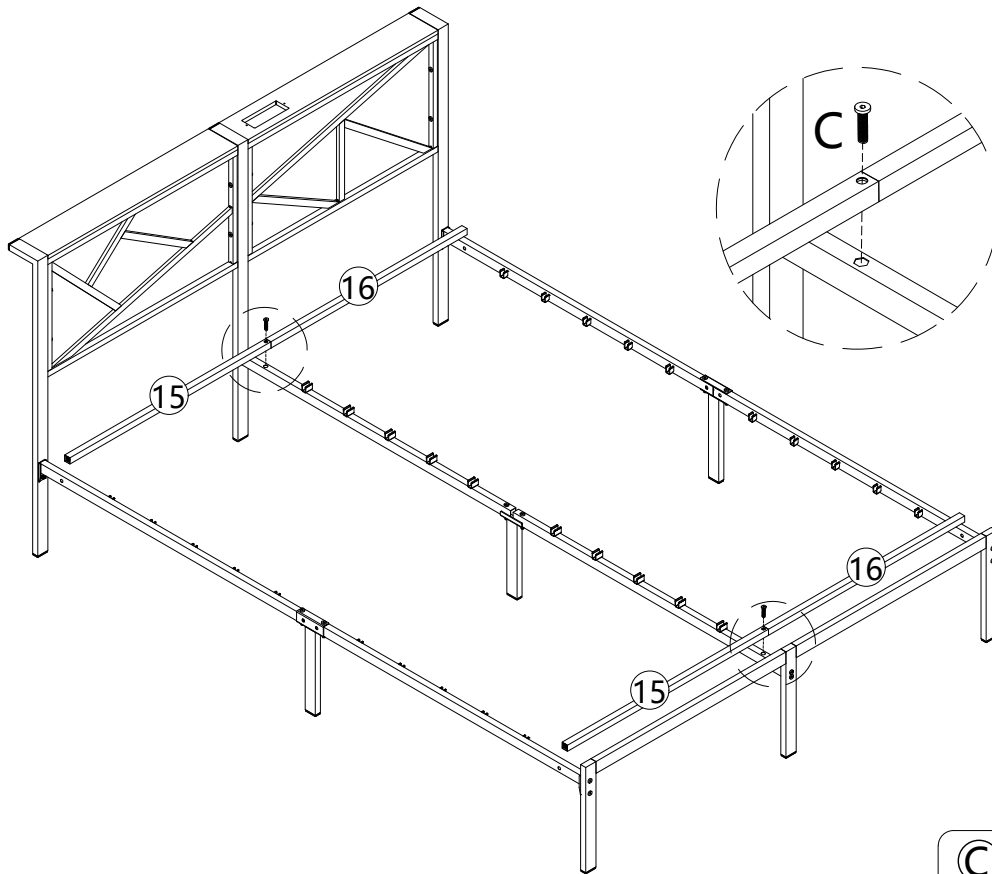
 Do not fully tighten the screws yet.





x 2


# Step 10

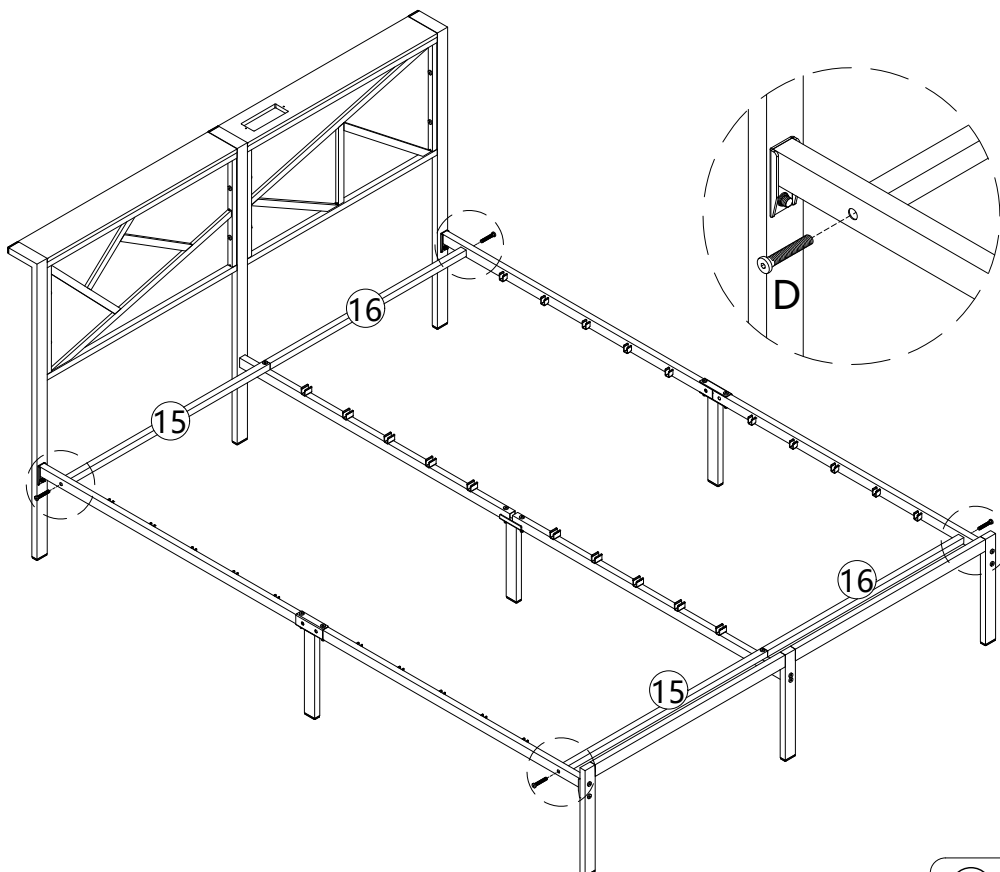
 Do not fully tighten the screws yet.





  2


# Step 11

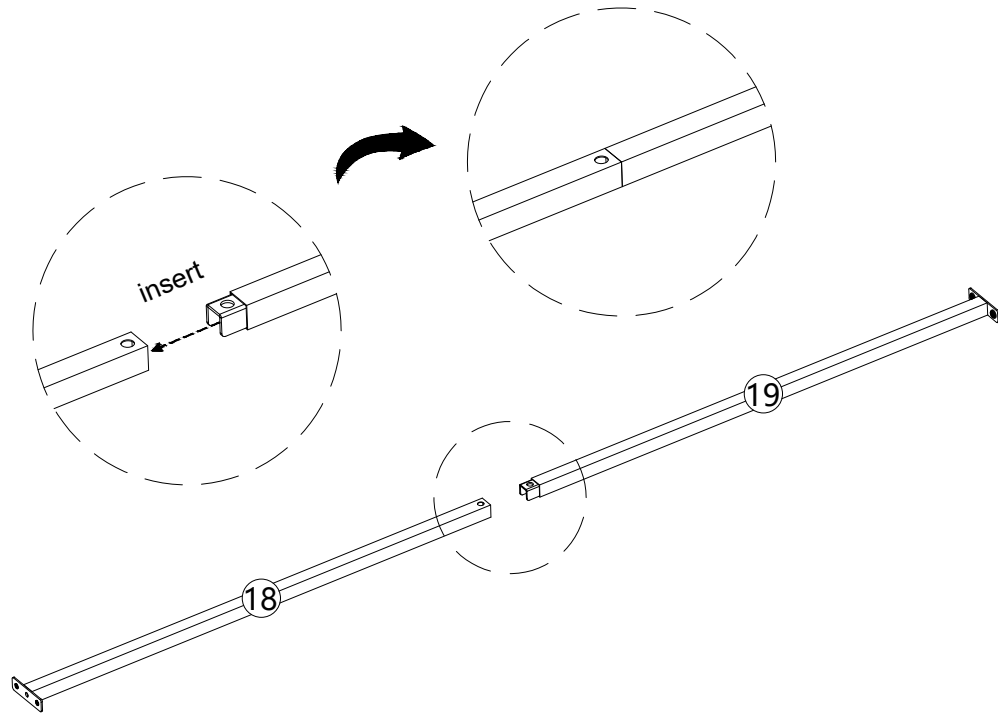
 Do not fully tighten the screws yet.




  4

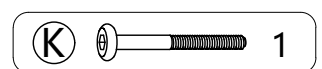
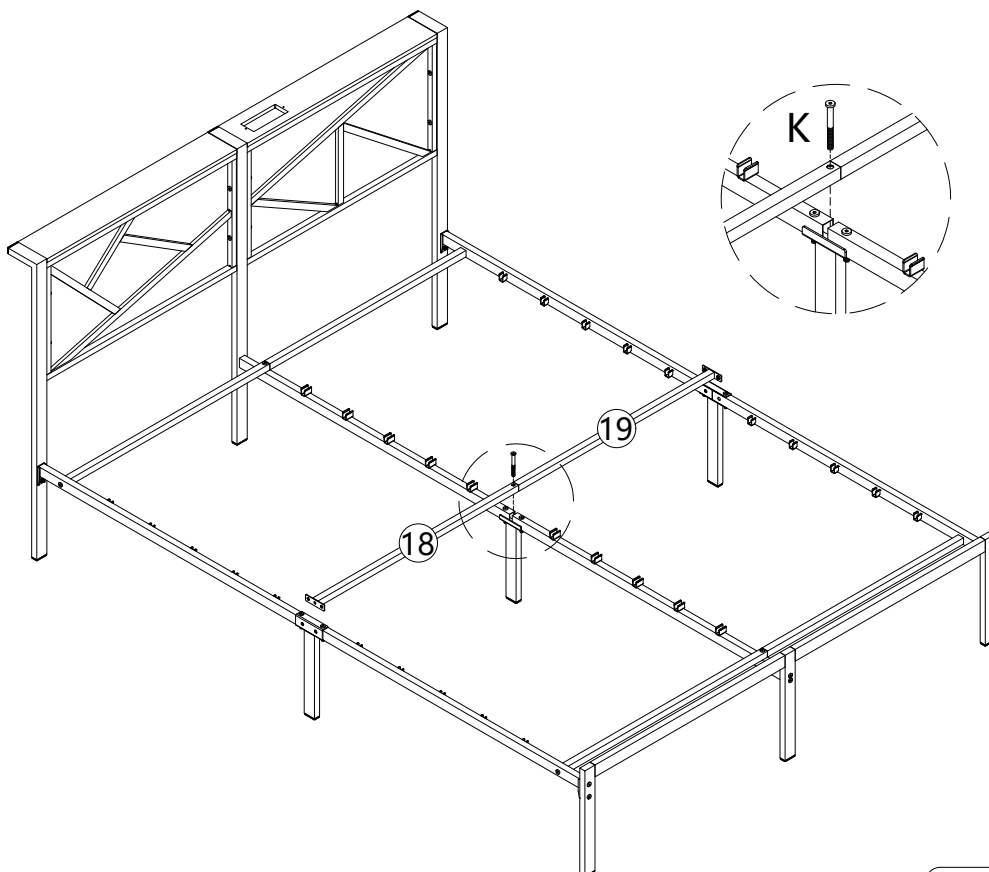
# Step 12

 Do not fully tighten the screws yet.




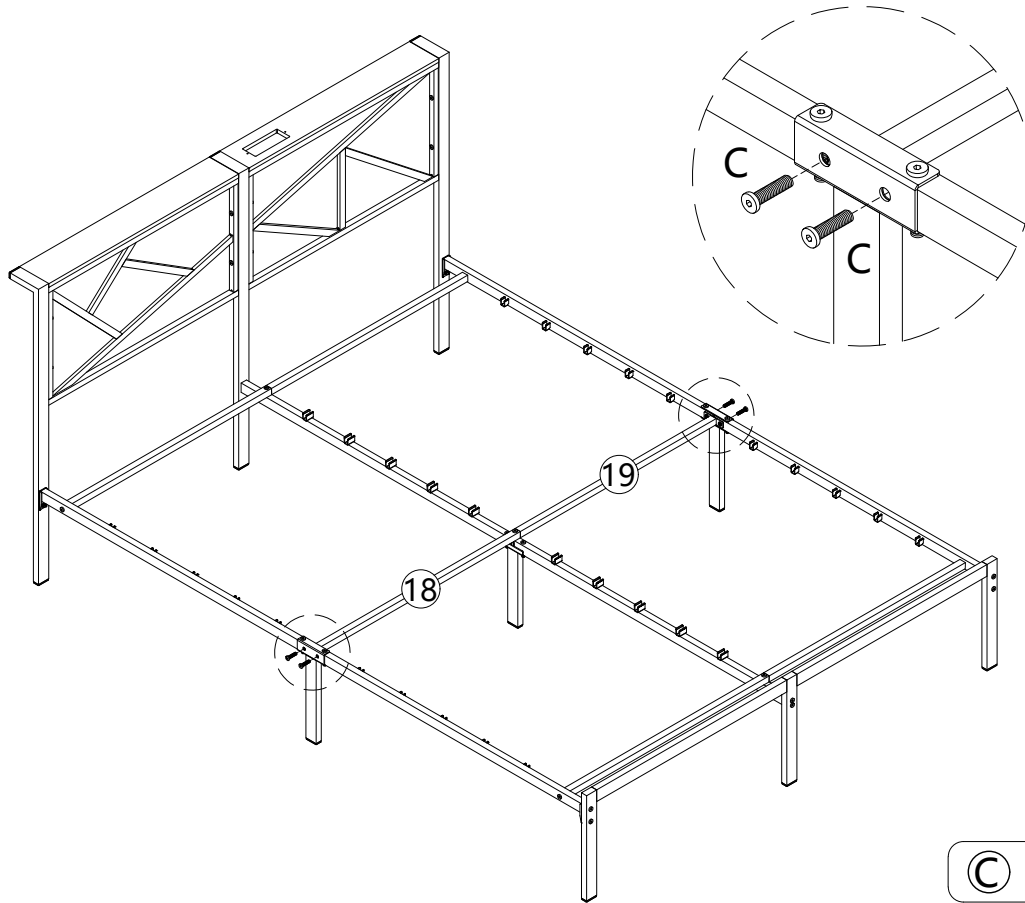
# Step 13

 Do not fully tighten the screws yet.

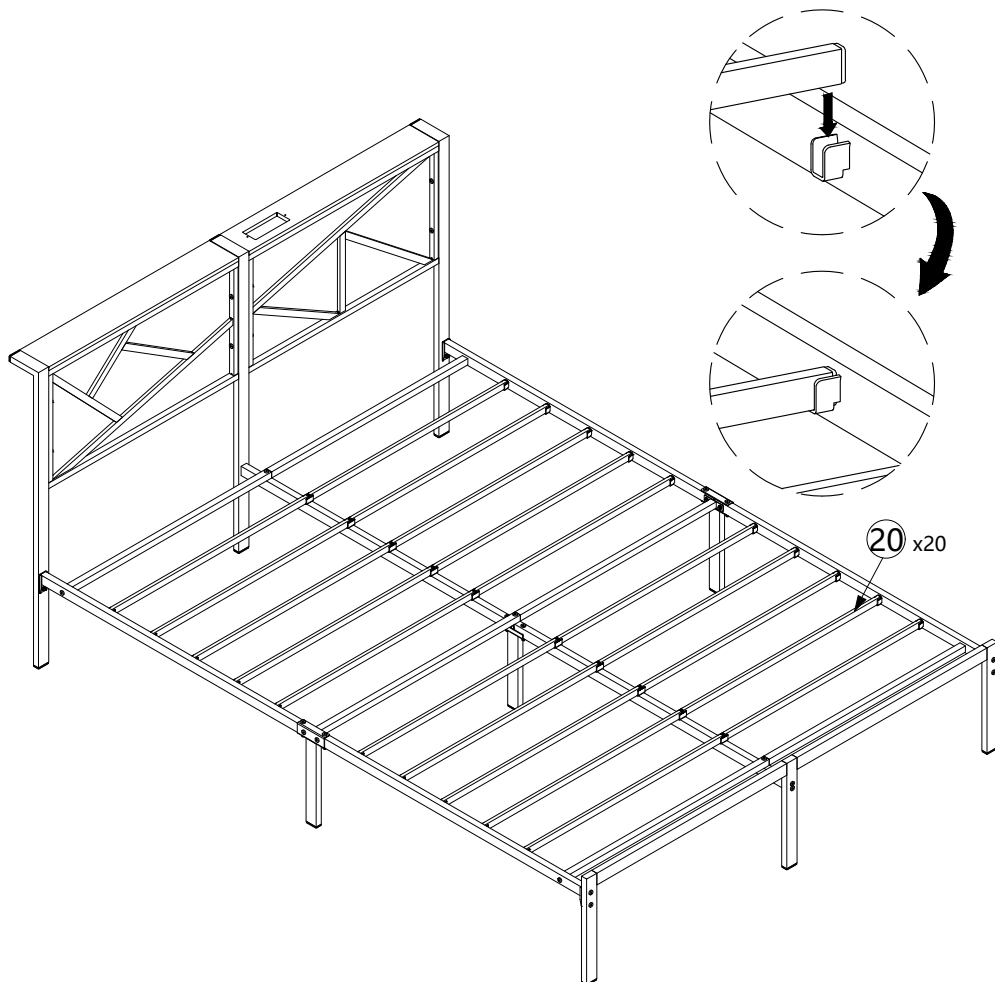


# Step 14

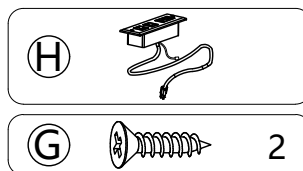
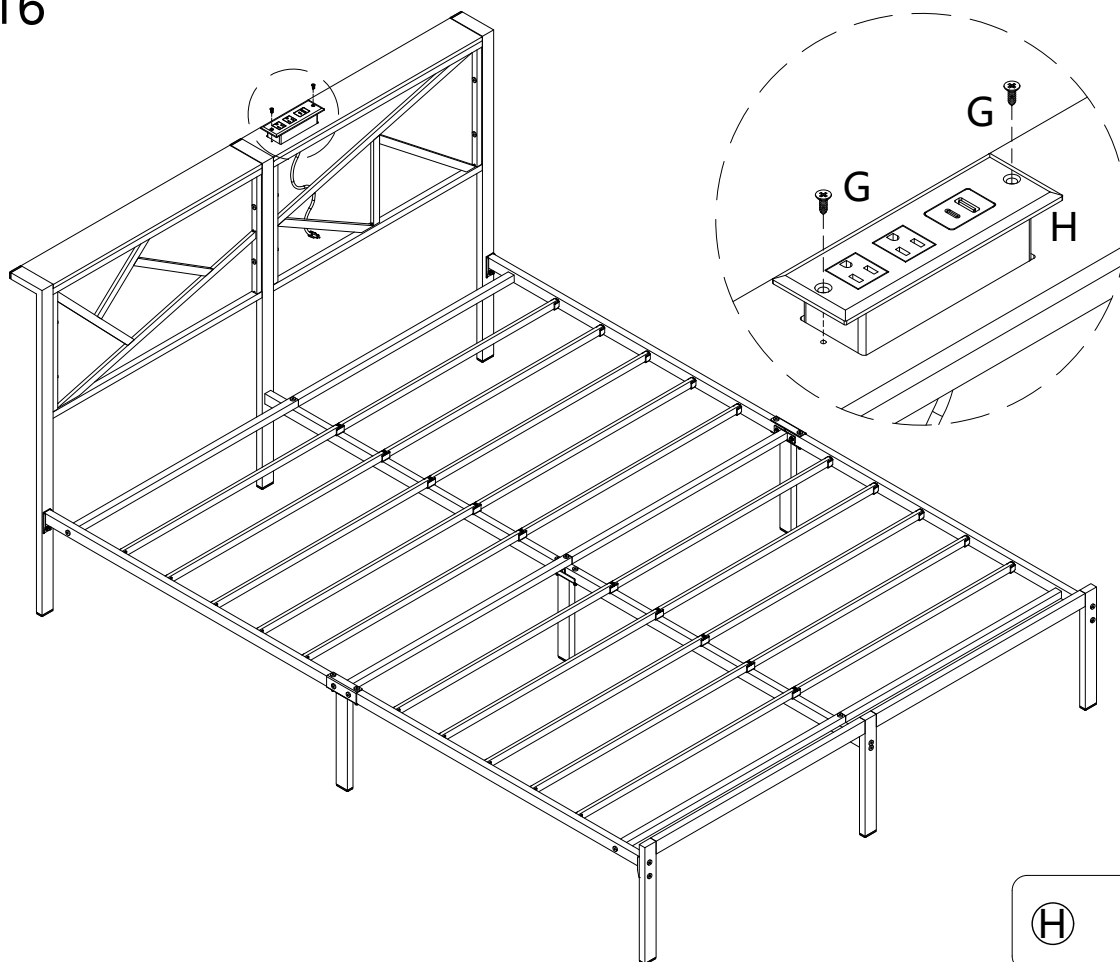
 Fully tighten all the screws.



# Step 15



# Step 16



# Step 17

1. You can also install (clip) on the right side according to your own choice.
2. Please tear off the light strip slowly when changing the position to prevent breaking.

