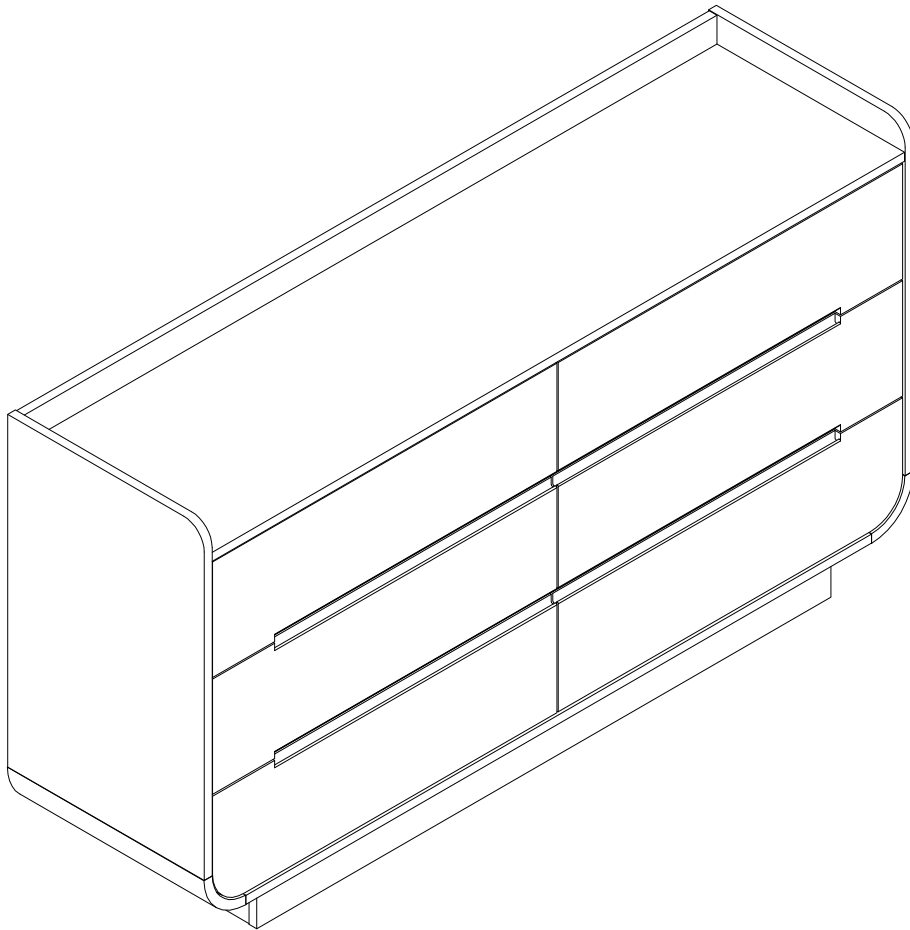


# Assembly Instructions

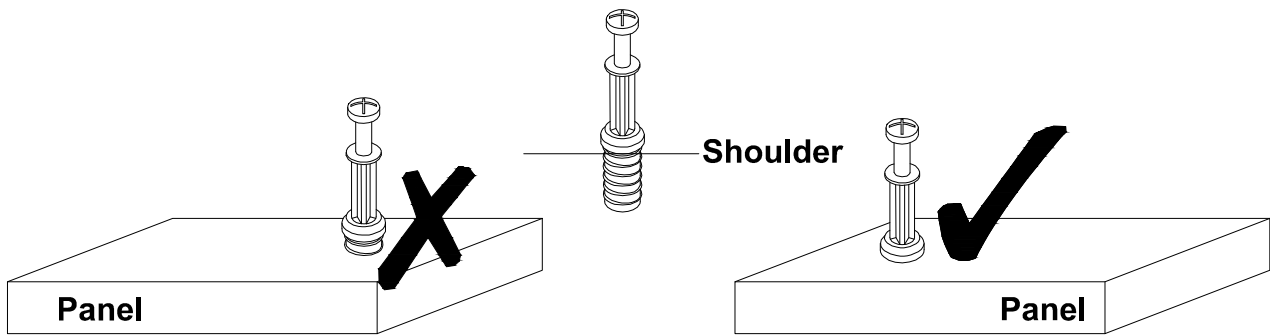


# Before Assembly

## Tips Before Your Start:

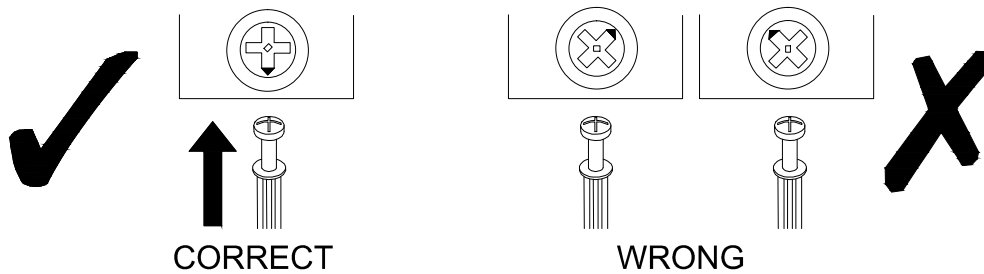
- Remove all wrapping material, including staples & packing straps before you start to assemble.
- DO NOT tighten all screws and bolts until the assembly is completely assembled.
- Keep all hardware parts out of reach of children.

## QUICKFIT



Tighten quickfit until shoulder is flush with panel. Do not overtighten or undertighten.

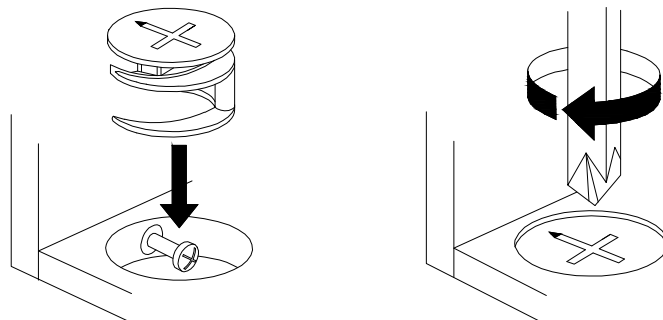
## CAM LOCK



When fitting a cam lock, ensure the starting position is correct before inserting the connecting QUI CKFIT

Quickfit head should be in the centre of the cam lock when the two panels are joined.

Cam lock should be inserted before quickfit.

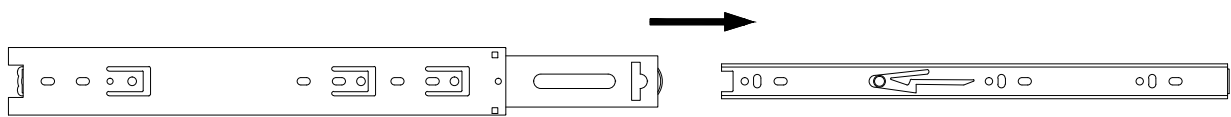
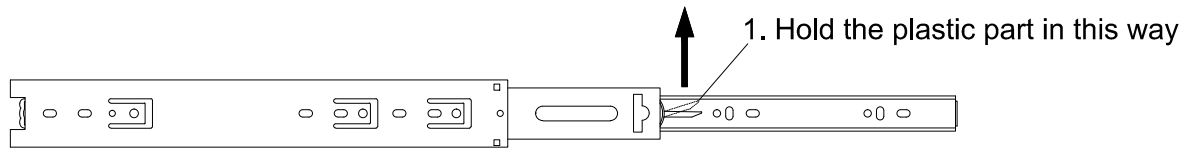


Turn cam lock clockwise to tighten.

# Before Assembly

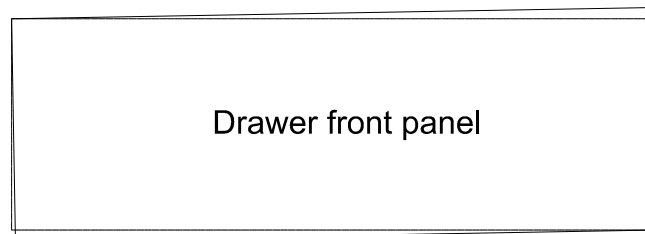
## Tips Before Your Start

How to separate the drawer slider:

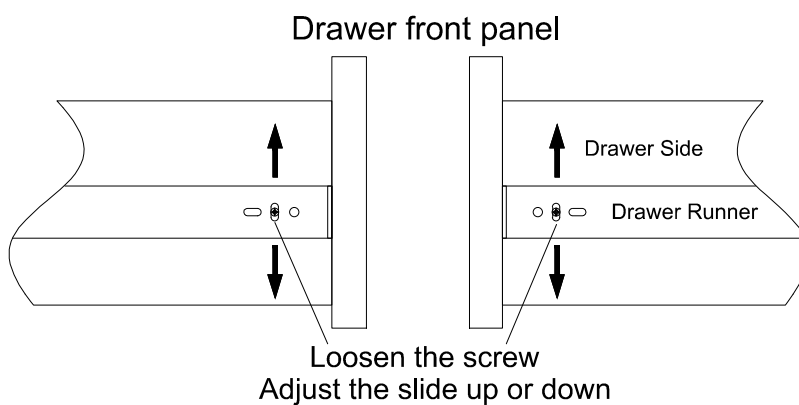


2. Pull out the inner slider for drawer box fixing

## Drawer Front Alignment

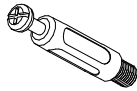


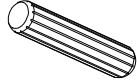
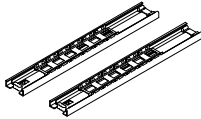
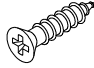
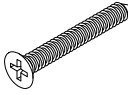
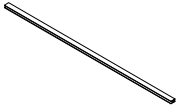

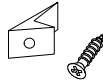
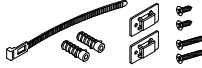


If the drawer front panel is NOT level after being assembled, then...

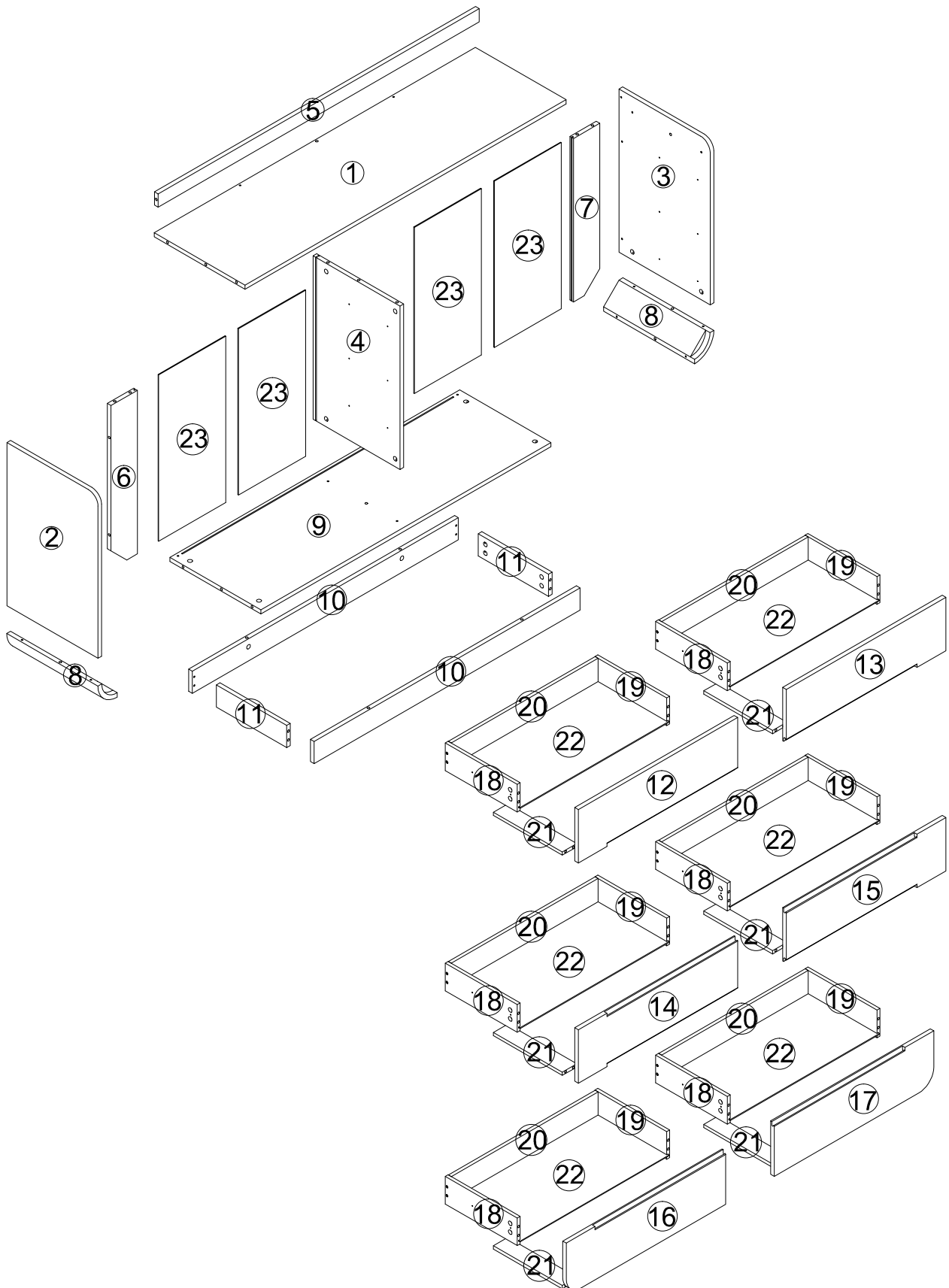


Loosen the screws on the left and right hand side, then adjust the drawer slide up or down, until the drawer fronts are even/level, then tighten the screws.

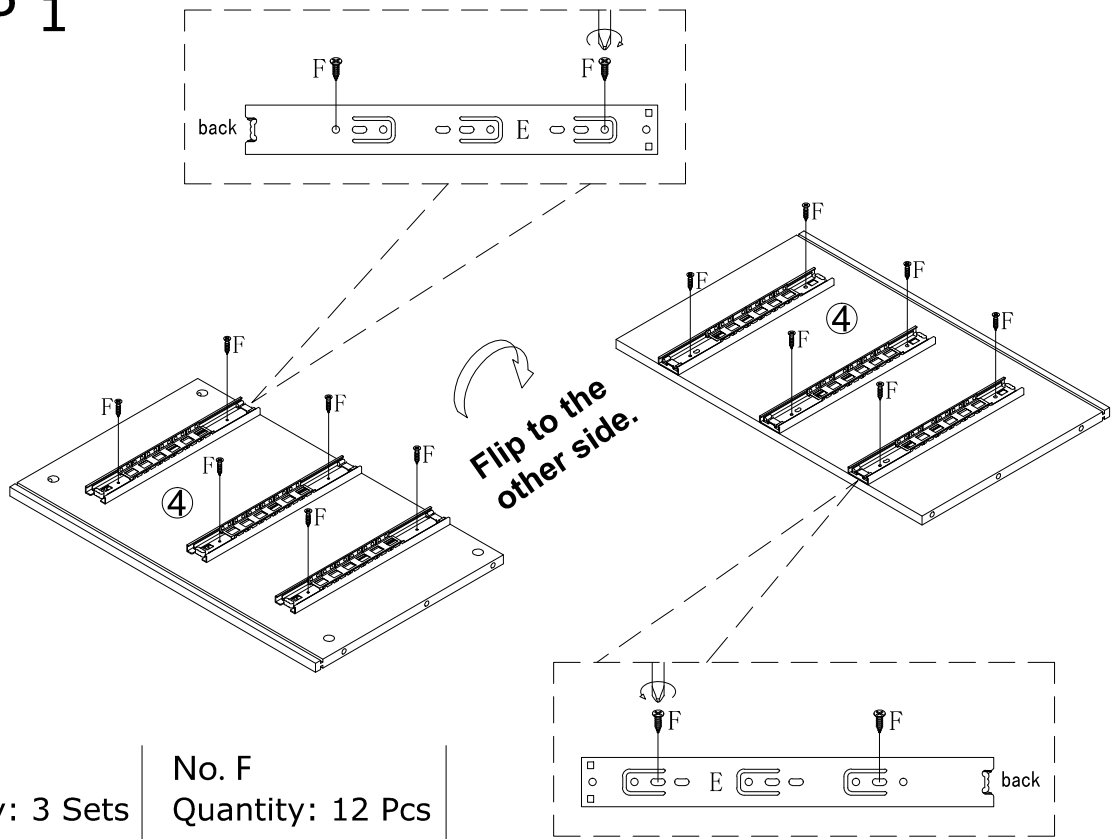
# Part List

<p><b>No. A</b> Quantity:90 Pcs Cam Lock Dowel 8*28mm</p> 	<p><b>No. B</b> Quantity:90 Pcs Cam φ15</p> 	<p><b>No. C</b> Quantity:90 Pcs Sticker Ø20</p> 	<p><b>No. D</b> Quantity:9 Pcs Dowel 8*30mm</p> 
<p><b>No. E</b> Quantity:6 Sets Drawer Slider 10"</p> 	<p><b>No. F</b> Quantity:48 Pcs Screw M3.5*12mm</p> 	<p><b>No. G</b> Quantity:24 Pcs Screw M4*30mm</p> 	<p><b>No. H</b> Quantity:2 Pcs Backboard spline 591*11*6mm</p> 
<p><b>No. I</b> Quantity:6 Pcs Foot Pad Ø15</p> 	<p><b>No. J</b> Quantity:12 Sets Plastic Wedge</p> 	<p><b>No. K</b> Quantity:2 Sets Anti-falling Parts</p> 	

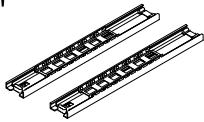
# Product structure



# STEP 1



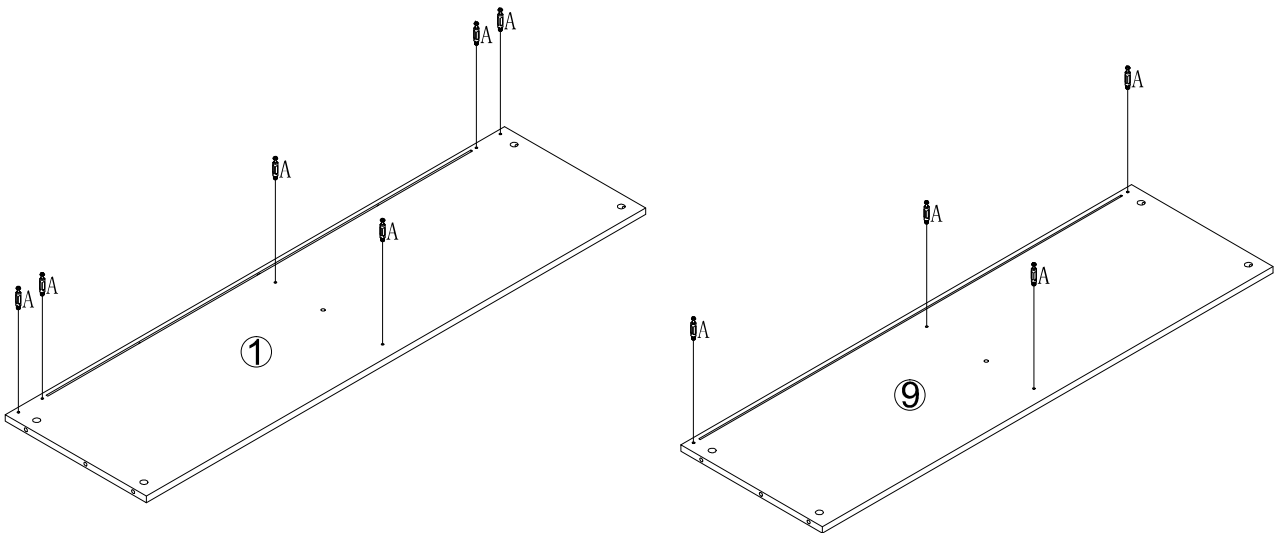
No. E  
Quantity: 3 Sets  
10"



No. F  
Quantity: 12 Pcs  
M3.5\*12mm



# STEP 2



No. A  
Quantity: 10 Pcs  
8\*28 mm

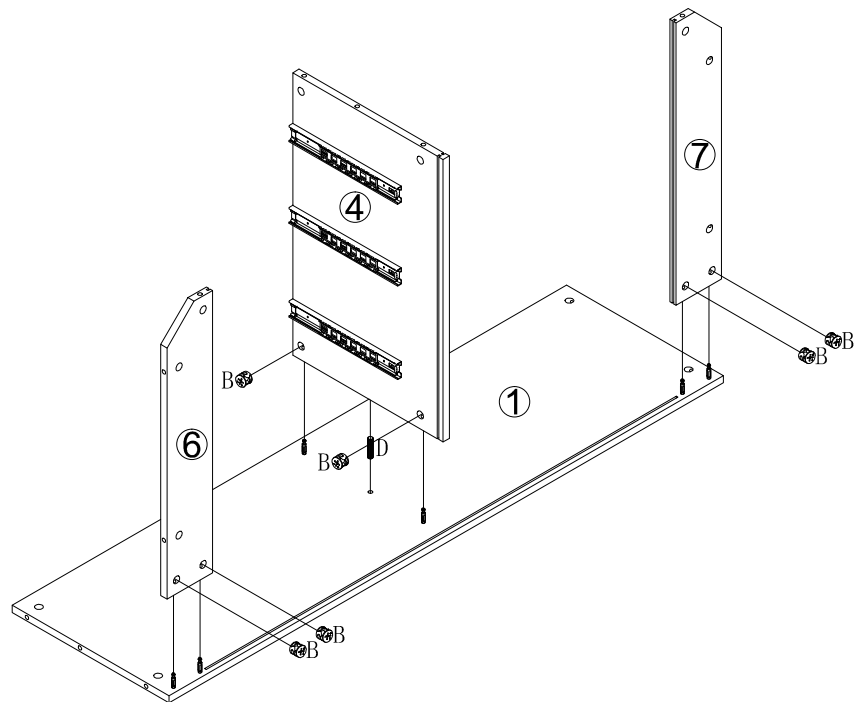


# STEP 3

No. B  
Quantity: 6 Pcs  
Ø15

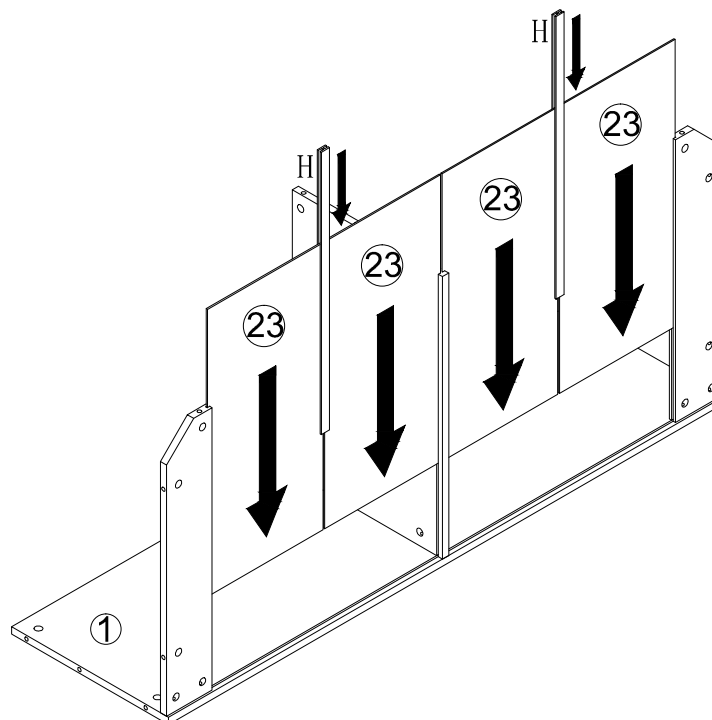


No. D  
Quantity: 1 Pcs  
8\*30mm

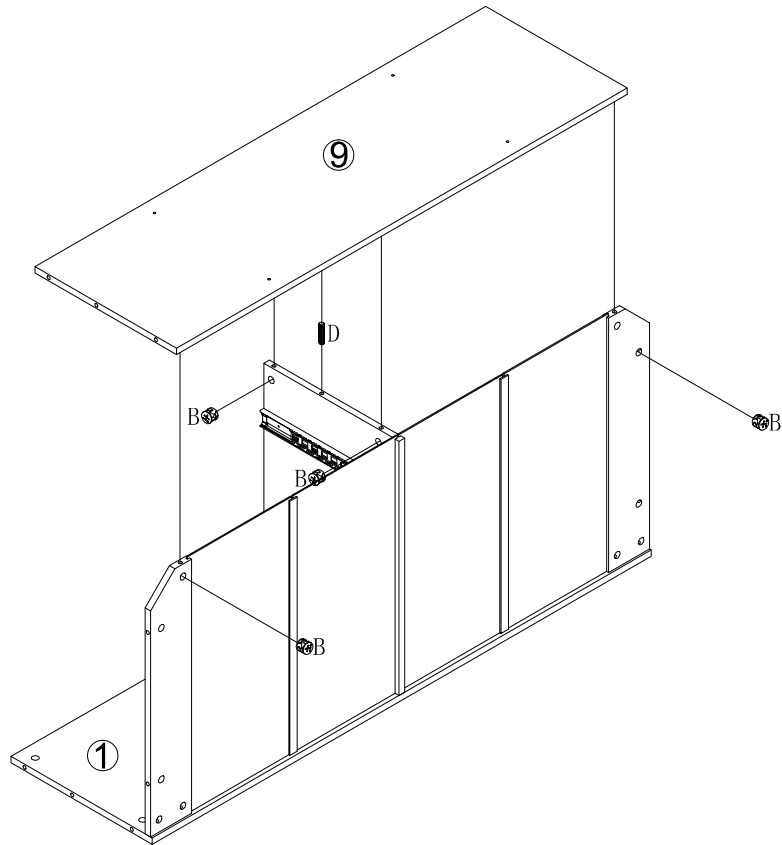


# STEP 4

No. H  
Quantity: 2 Pcs  
591\*11\*6mm



# STEP 5



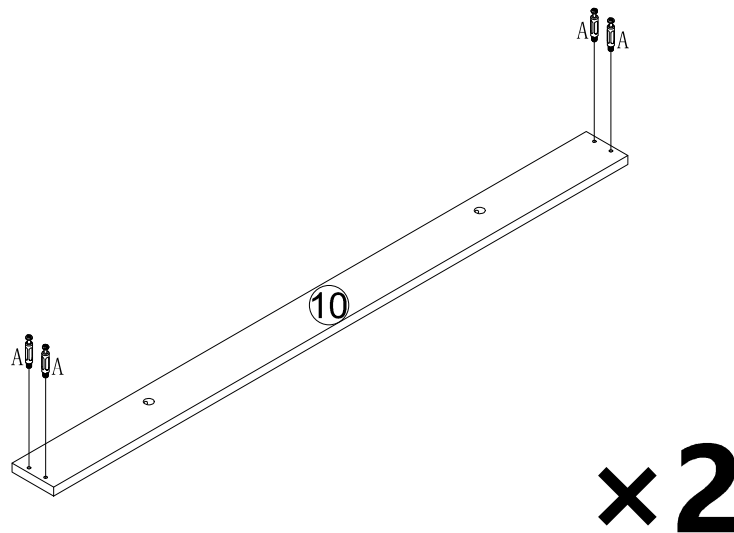
No. B  
Quantity: 4 Pcs  
Ø15



No. D  
Quantity: 1 Pcs  
8\*30mm



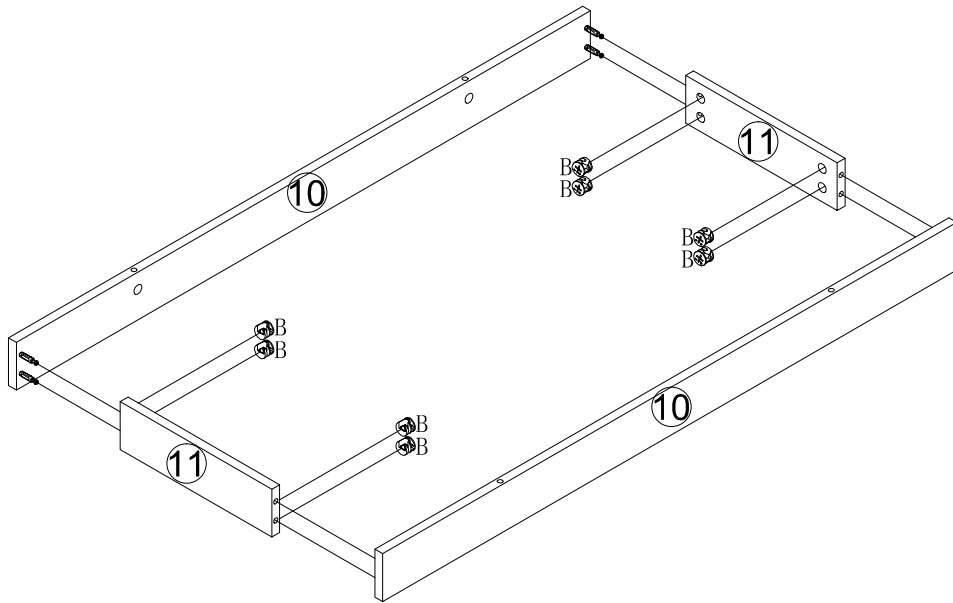
# STEP 6



No. A  
Quantity: 8 Pcs  
8\*28 mm



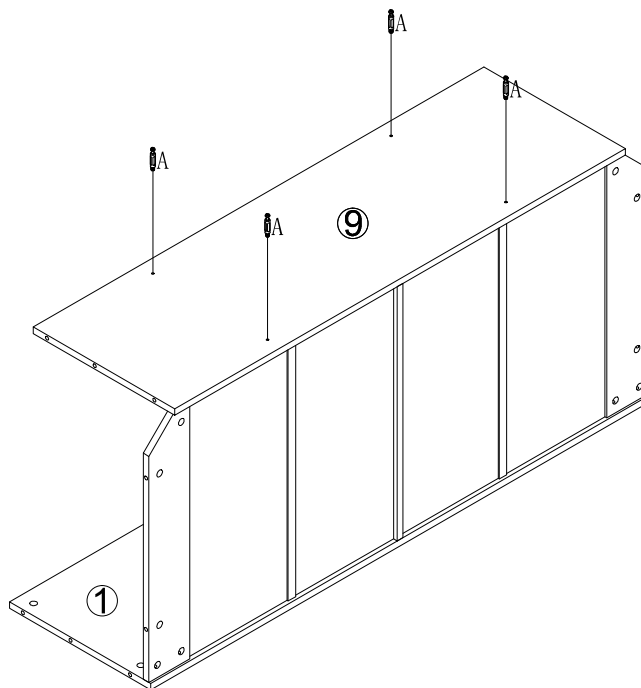
# STEP 7



No. B  
Quantity: 8 Pcs  
Ø15



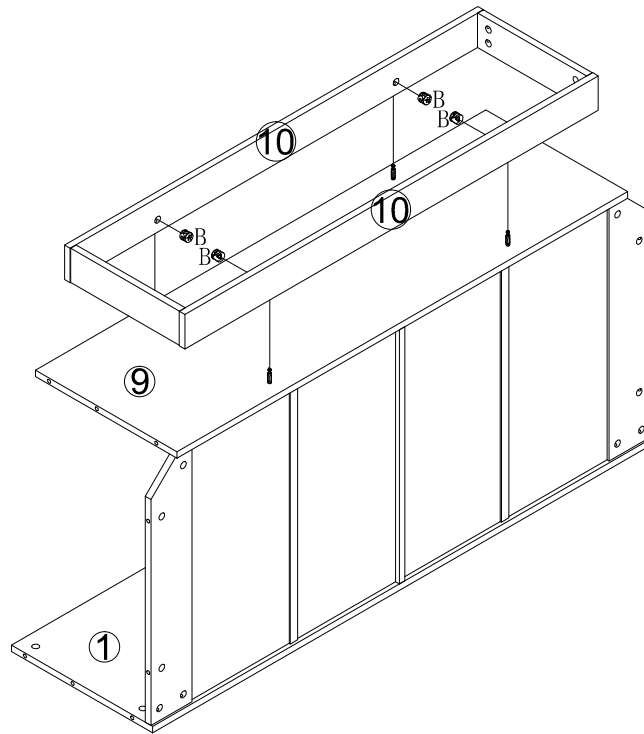
# STEP 8



No. A  
Quantity: 4 Pcs  
8\*28 mm



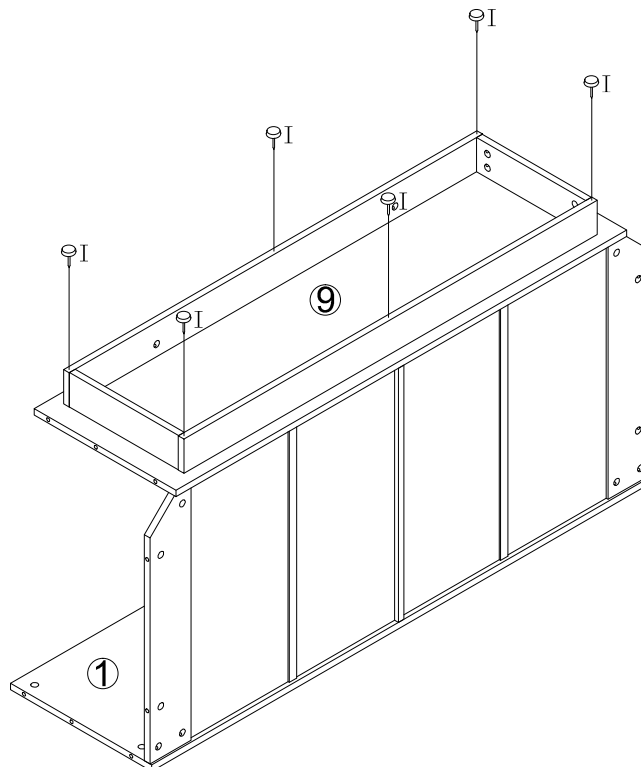
# STEP 9



No. B  
Quantity: 4 Pcs  
Ø15



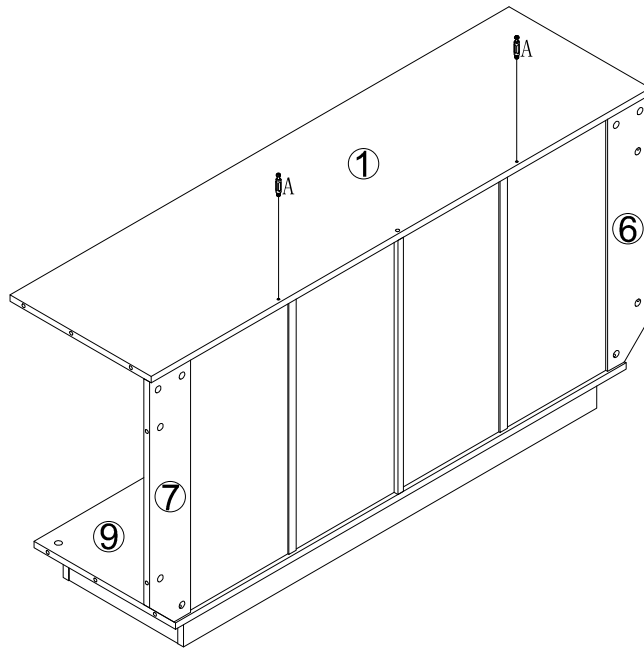
# STEP 10



No. I  
Quantity: 6 Pcs  
Ø15



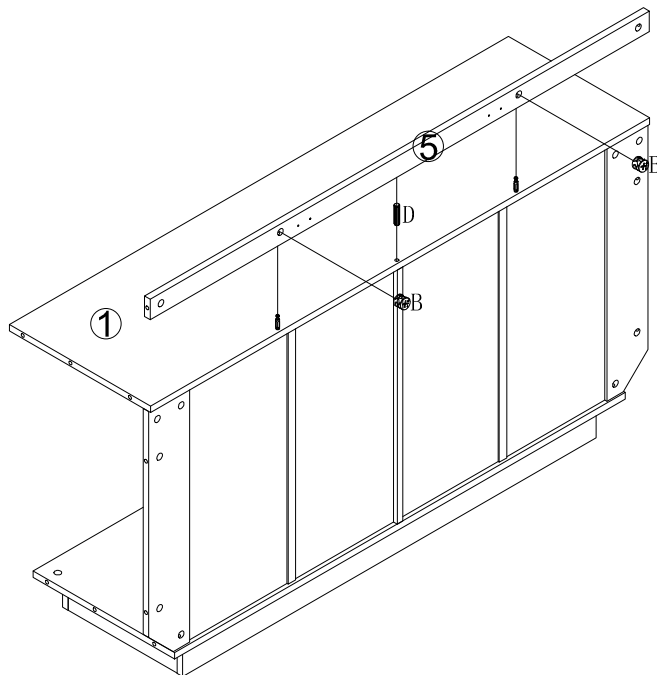
# STEP 11



No. A  
Quantity: 2 Pcs  
8\*28 mm



# STEP 12



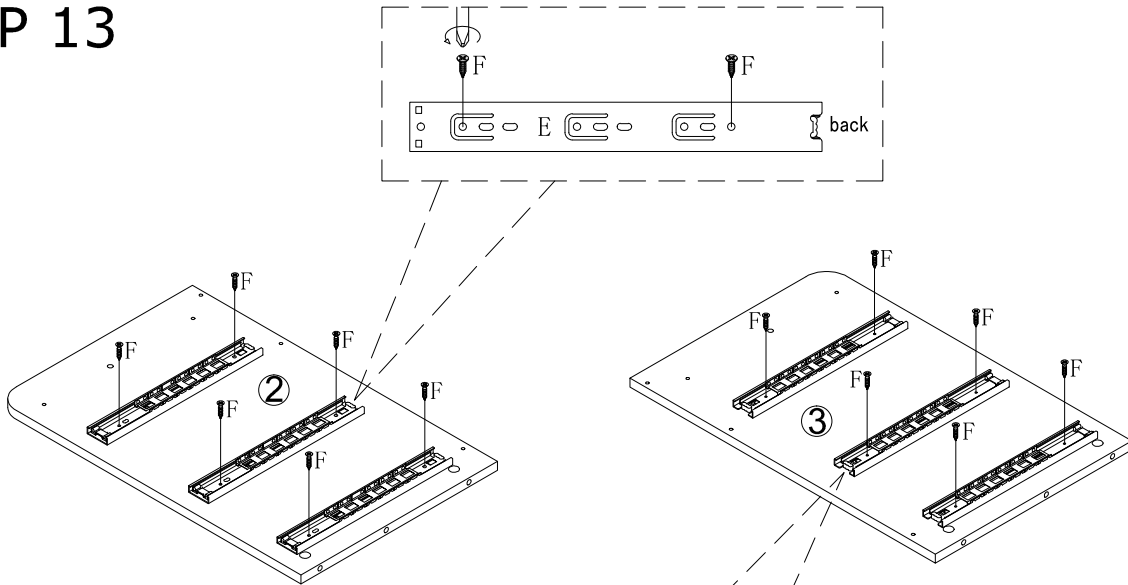
No. B  
Quantity: 2 Pcs  
Ø15



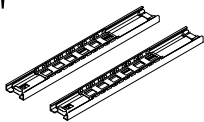
No. D  
Quantity: 1 Pcs  
8\*30mm



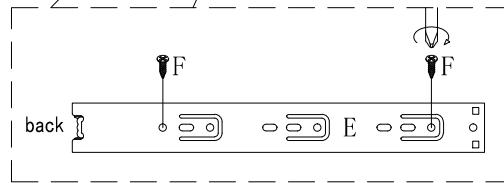
# STEP 13



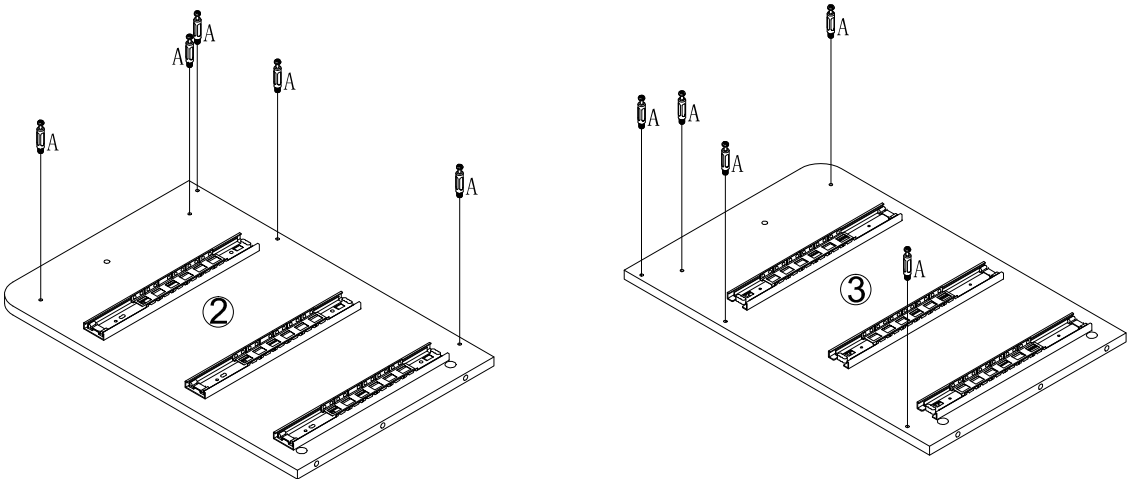
No. E  
Quantity: 3 Sets  
10"



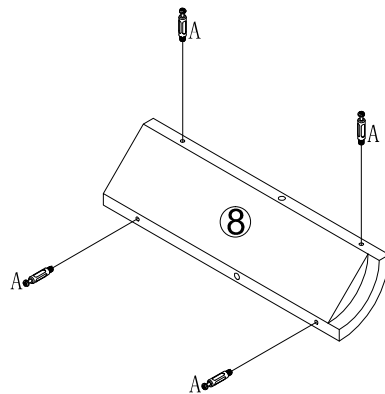
No. F  
Quantity: 12 Pcs  
M3.5\*12mm



# STEP 14

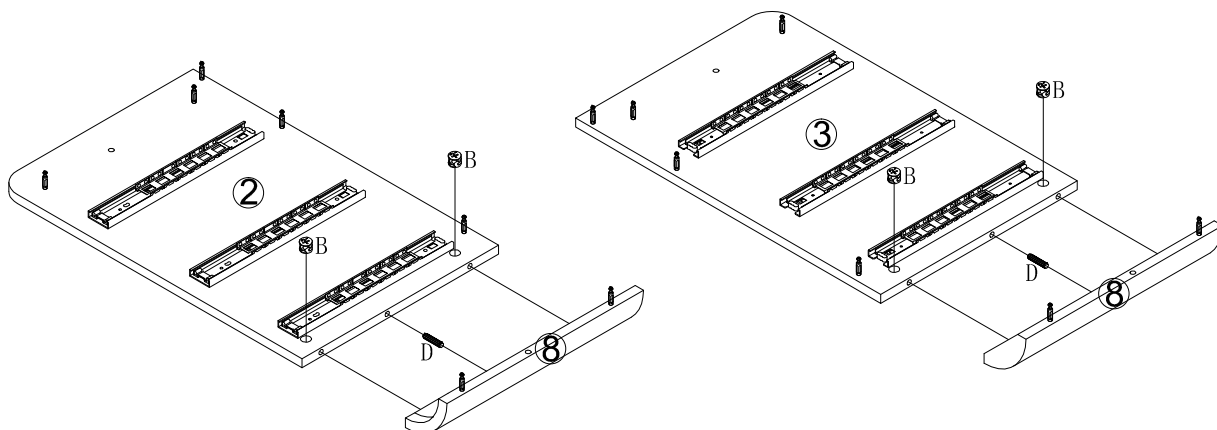


No. A  
Quantity: 18 Pcs  
8\*28 mm



**x2**

# STEP 15



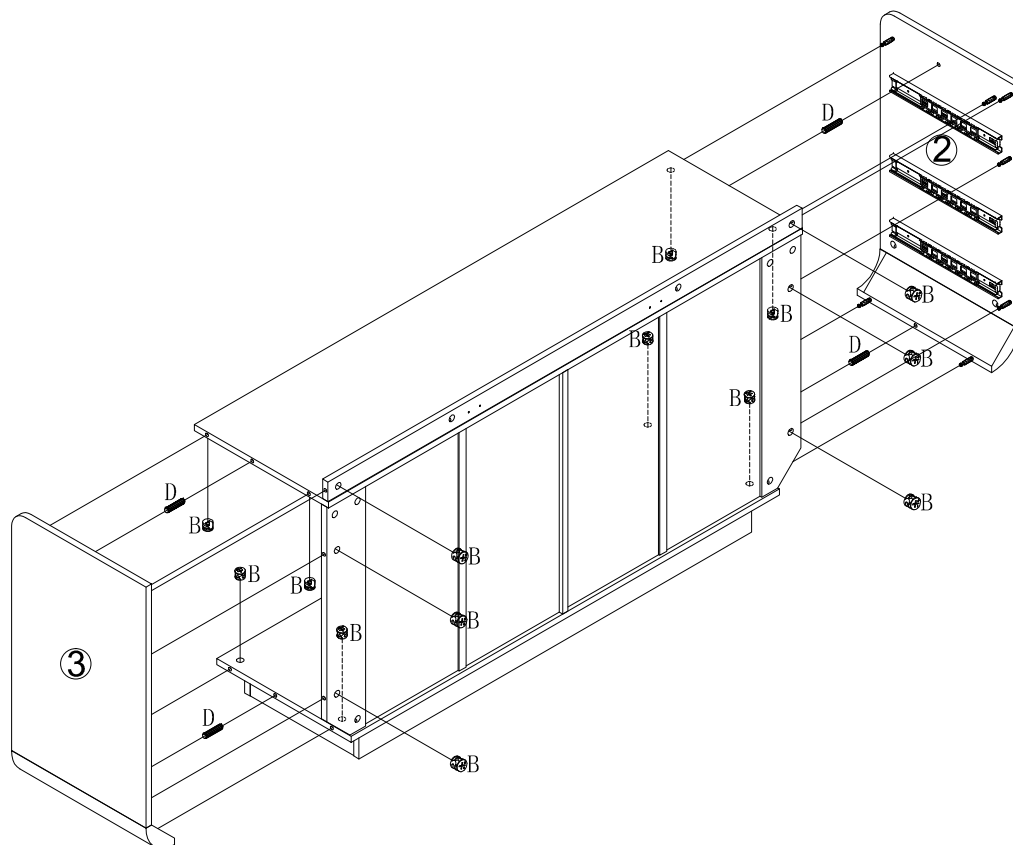
No. B  
Quantity: 4 Pcs  
Ø15



No. D  
Quantity: 2 Pcs  
8\*30mm



# STEP 16



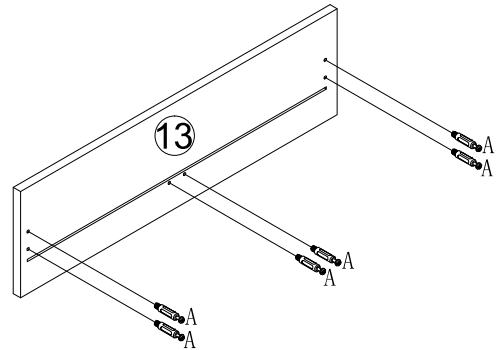
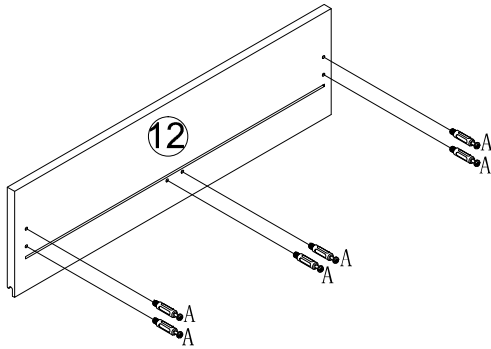
No. B  
Quantity: 14 Pcs  
Ø15



No. D  
Quantity: 4 Pcs  
8\*30mm



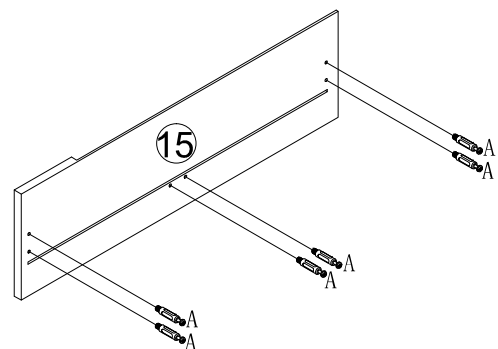
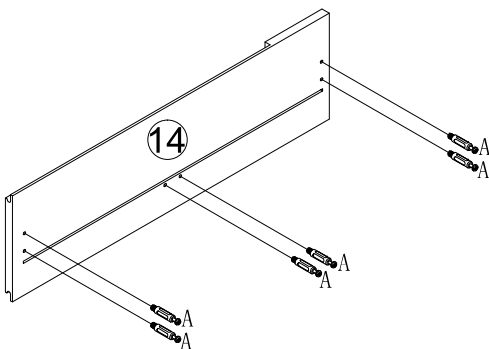
# STEP 17



No. A  
Quantity: 12 Pcs  
8\*28 mm



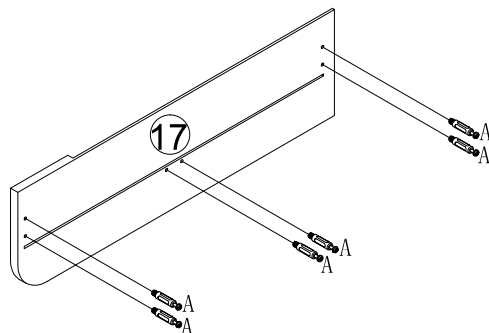
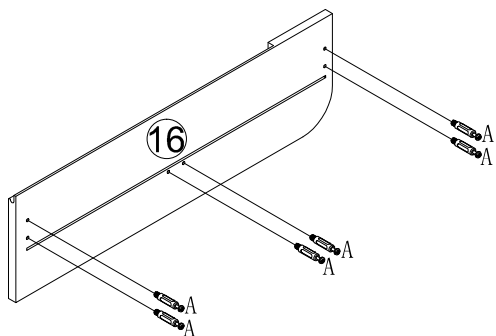
# STEP 18



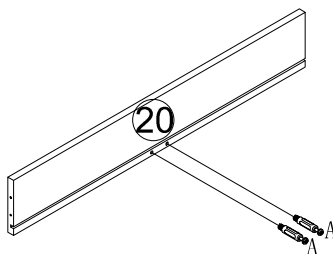
No. A  
Quantity: 12 Pcs  
8\*28 mm



# STEP 19

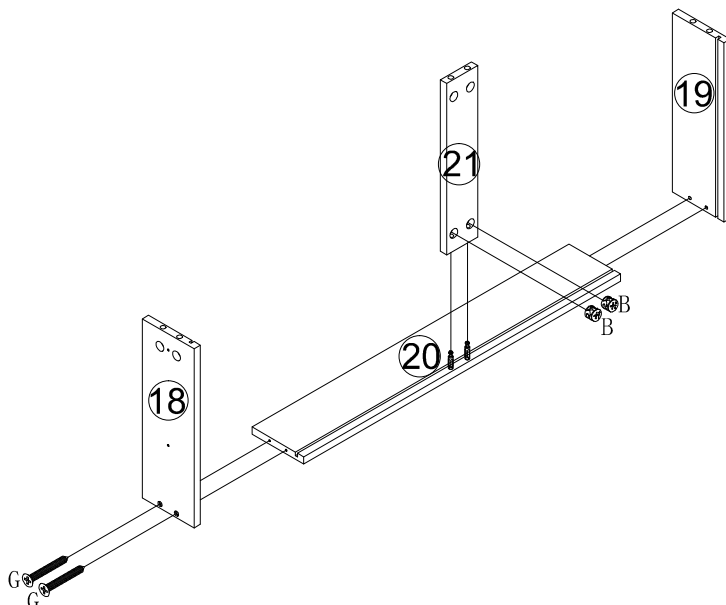


No. A  
Quantity: 24 Pcs  
8\*28 mm



**x6**

# STEP 20

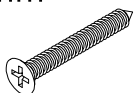


**x6**

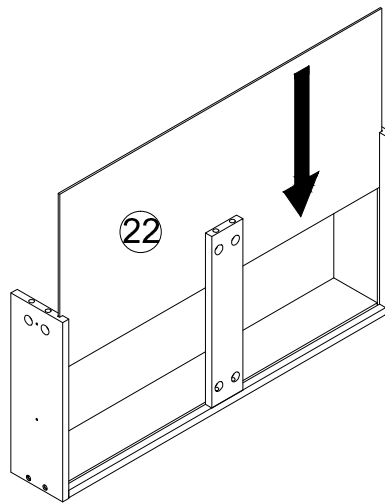
No. B  
Quantity: 12 Pcs  
Ø15



No. G  
Quantity: 24 Pcs  
M4\*30mm

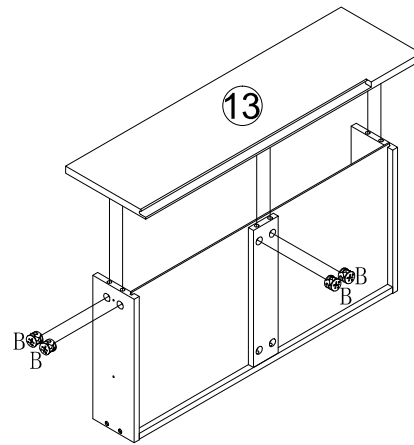
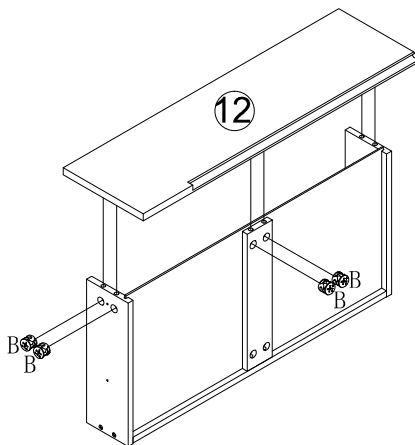


# STEP 21



**×6**

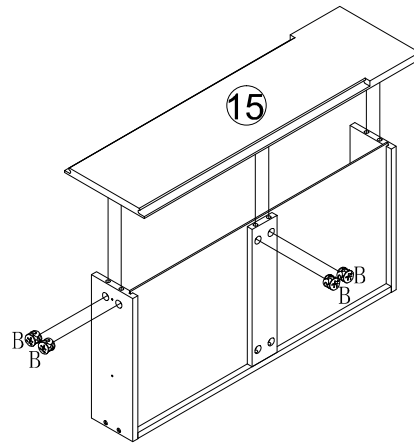
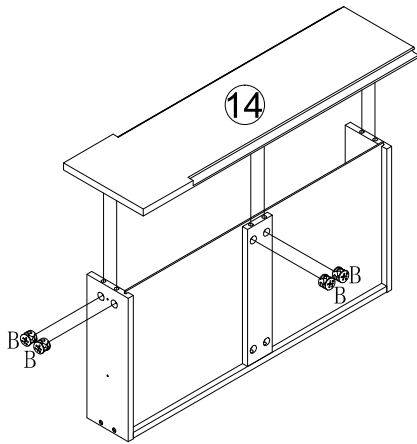
# STEP 22



No. B  
Quantity: 12 Pcs  
Ø15



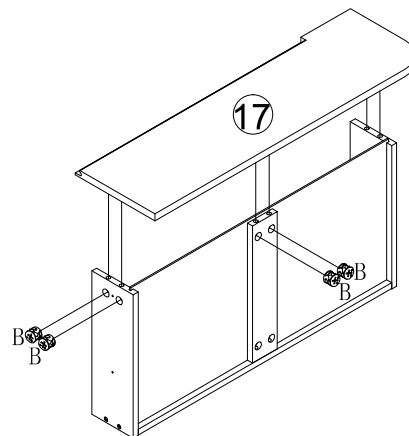
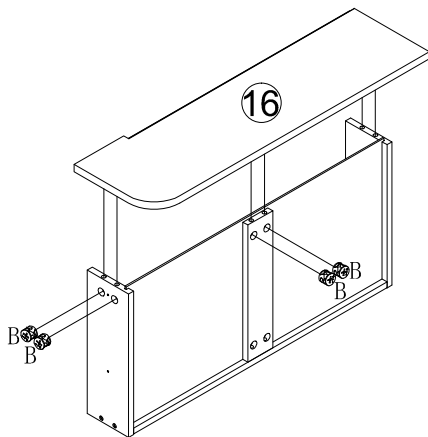
# STEP 23



No. B  
Quantity: 12 Pcs  
Ø15



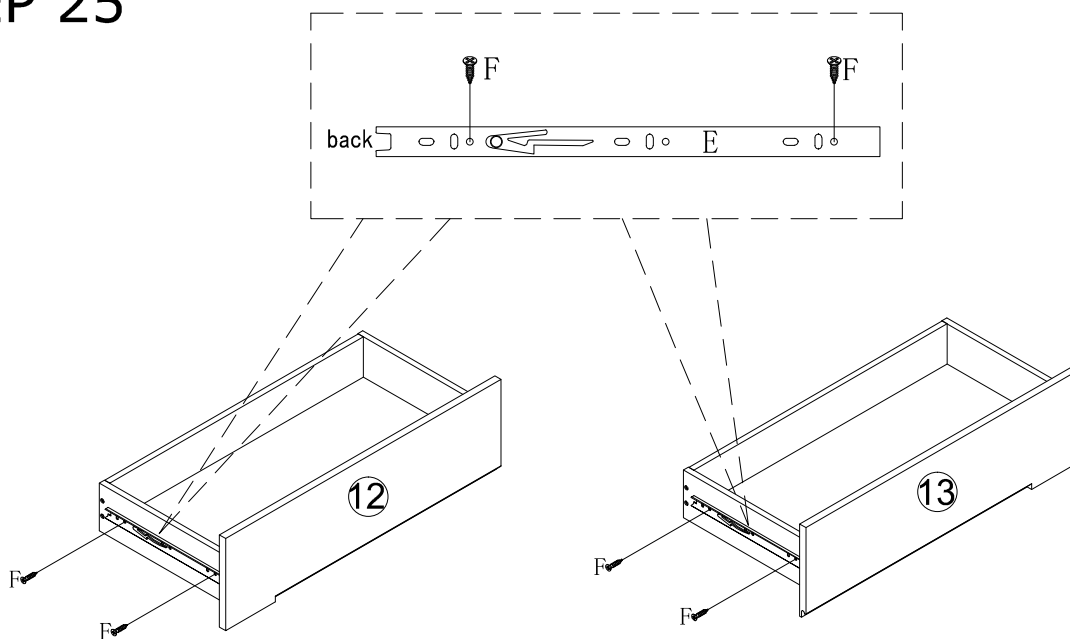
# STEP 24



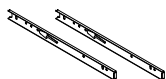
No. B  
Quantity: 12 Pcs  
Ø15



# STEP 25



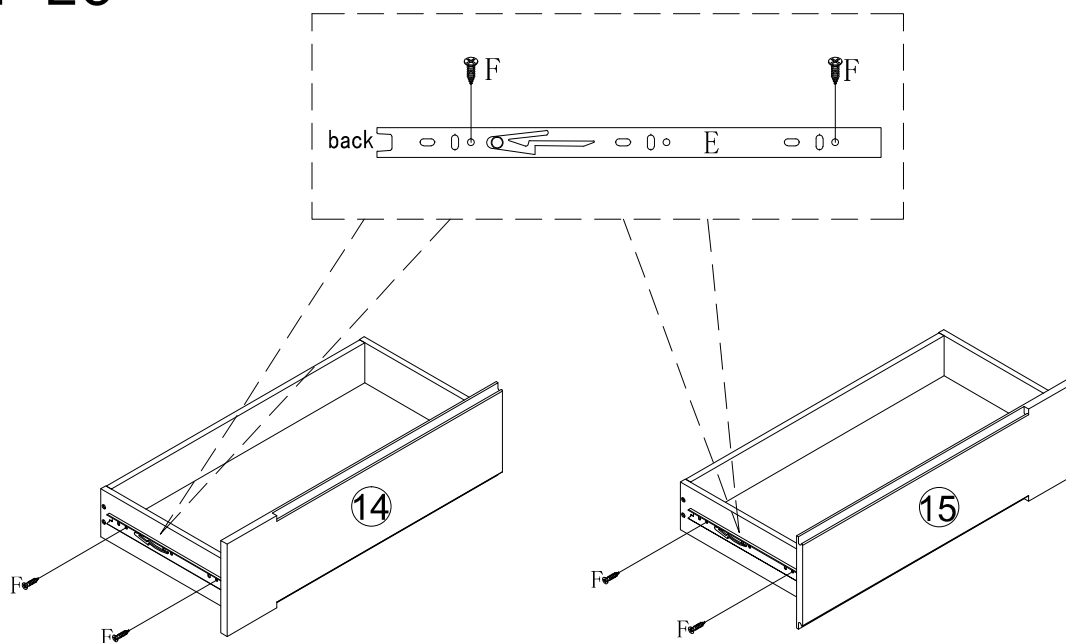
No. E  
Quantity: 2 Sets  
10"



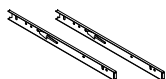
No. F  
Quantity: 8 Pcs  
M3.5\*12mm



# STEP 26



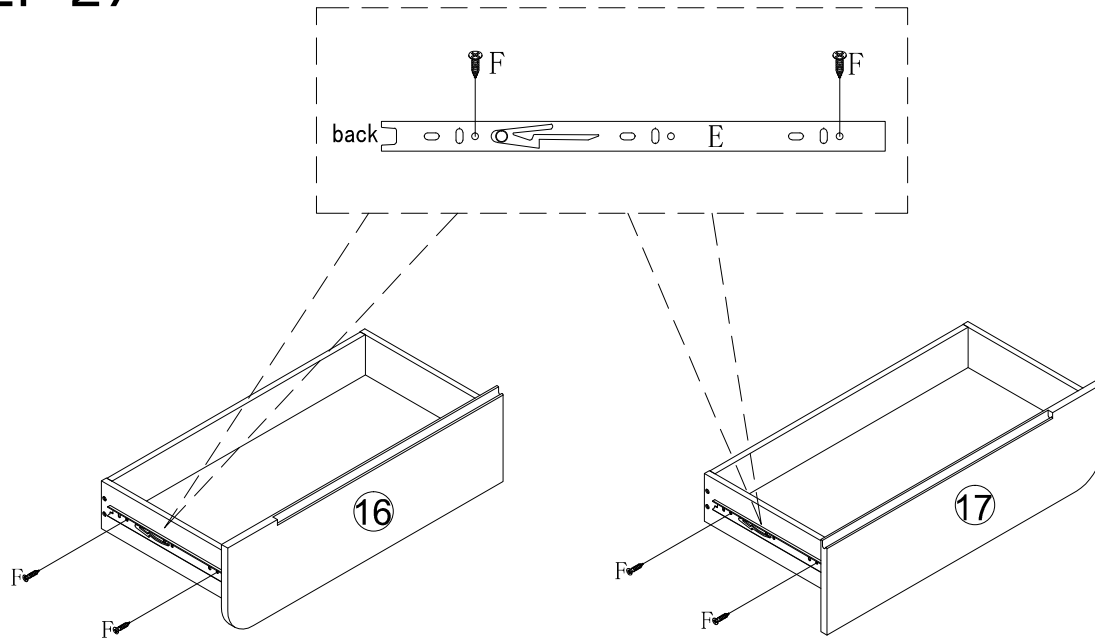
No. E  
Quantity: 2 Sets  
10"



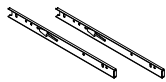
No. F  
Quantity: 8 Pcs  
M3.5\*12mm



# STEP 27



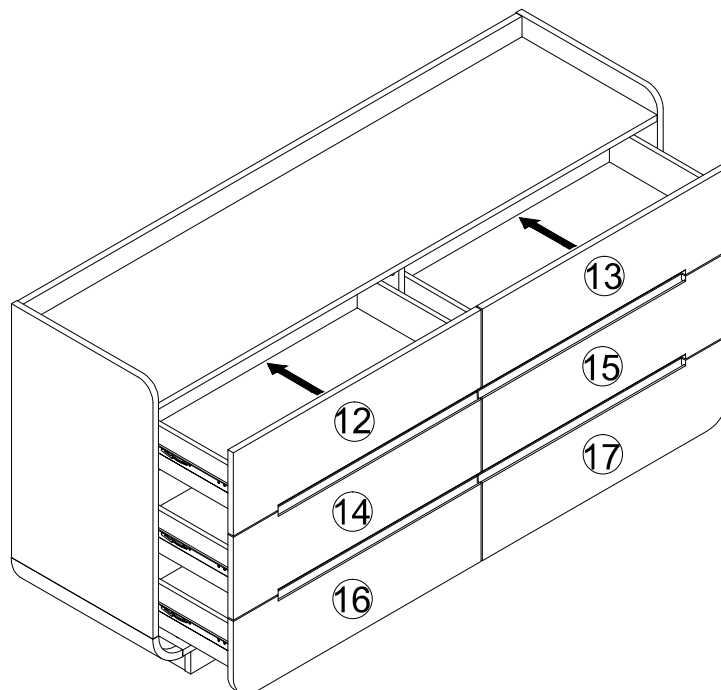
No. E  
Quantity: 2 Sets  
10"



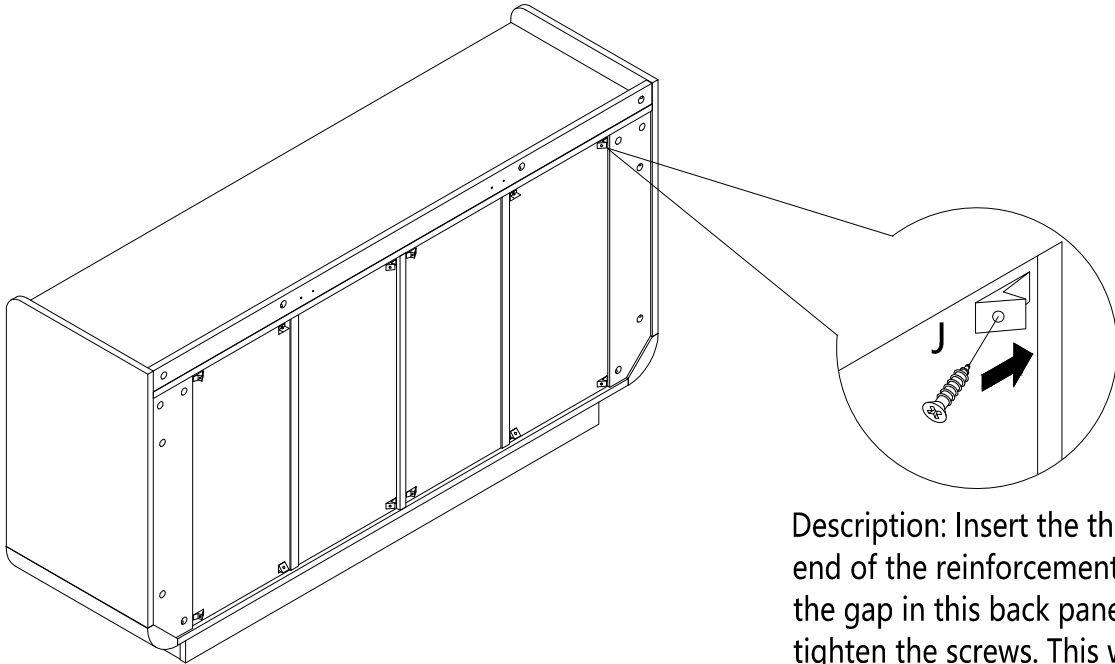
No. F  
Quantity: 8 Pcs  
M3.5\*12mm



# STEP 28

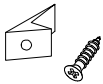


## STEP 29

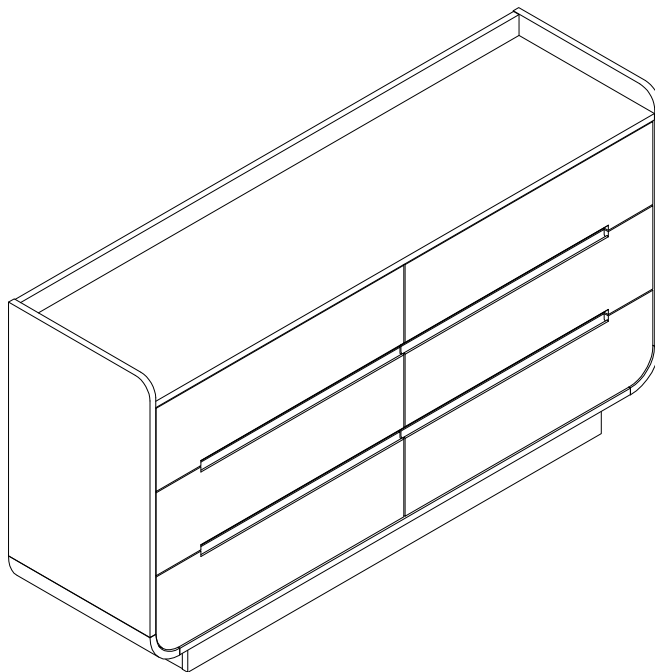


Description: Insert the thinner end of the reinforcement into the gap in this back panel, then tighten the screws. This will make the cabinet more stable.

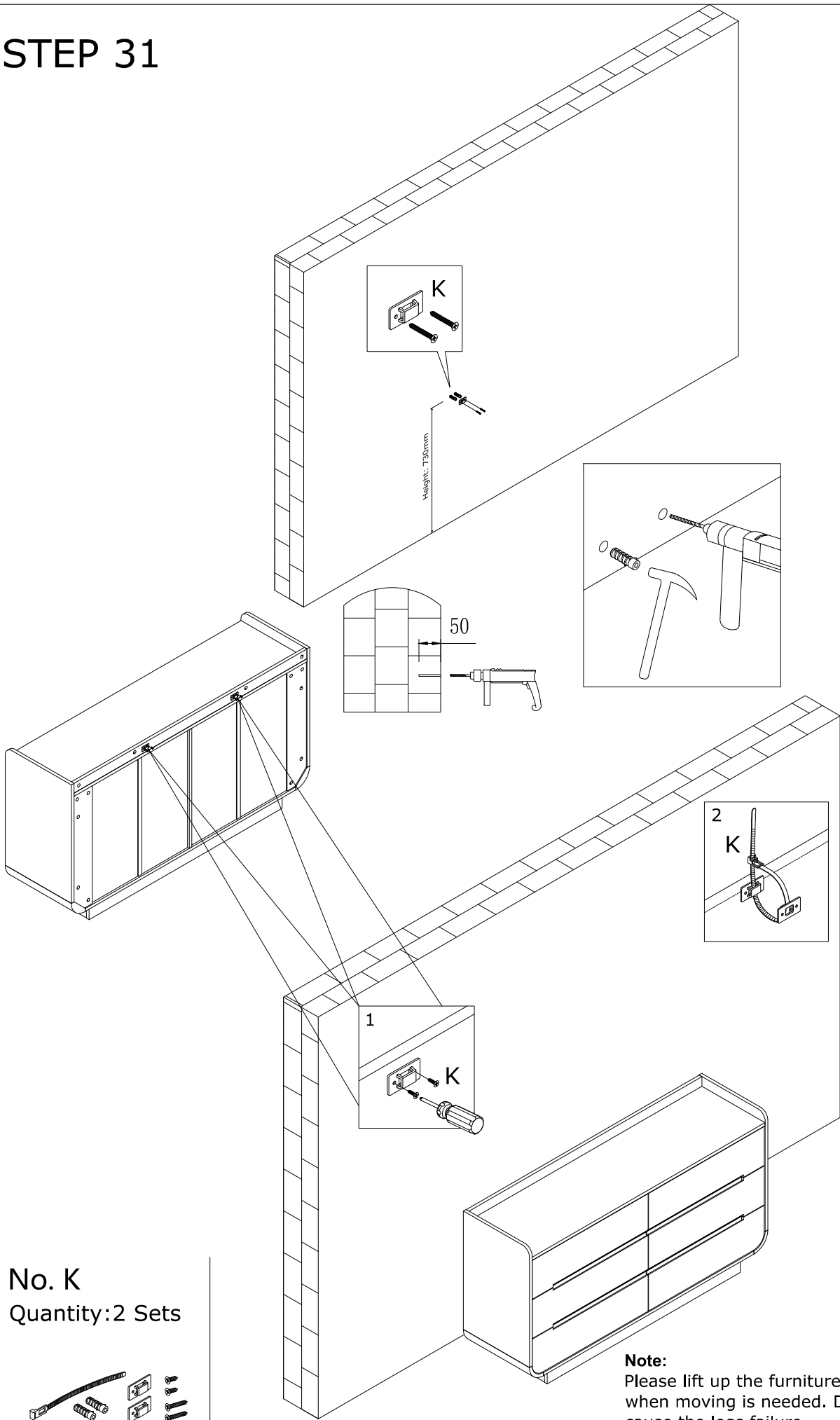
No. J  
Quantity: 12 Sets



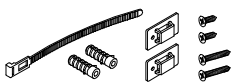
## STEP 30



# STEP 31



No. K  
Quantity: 2 Sets



**Note:**  
Please lift up the furniture by two people when moving is needed. Dragging may cause the legs failure.