


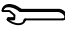
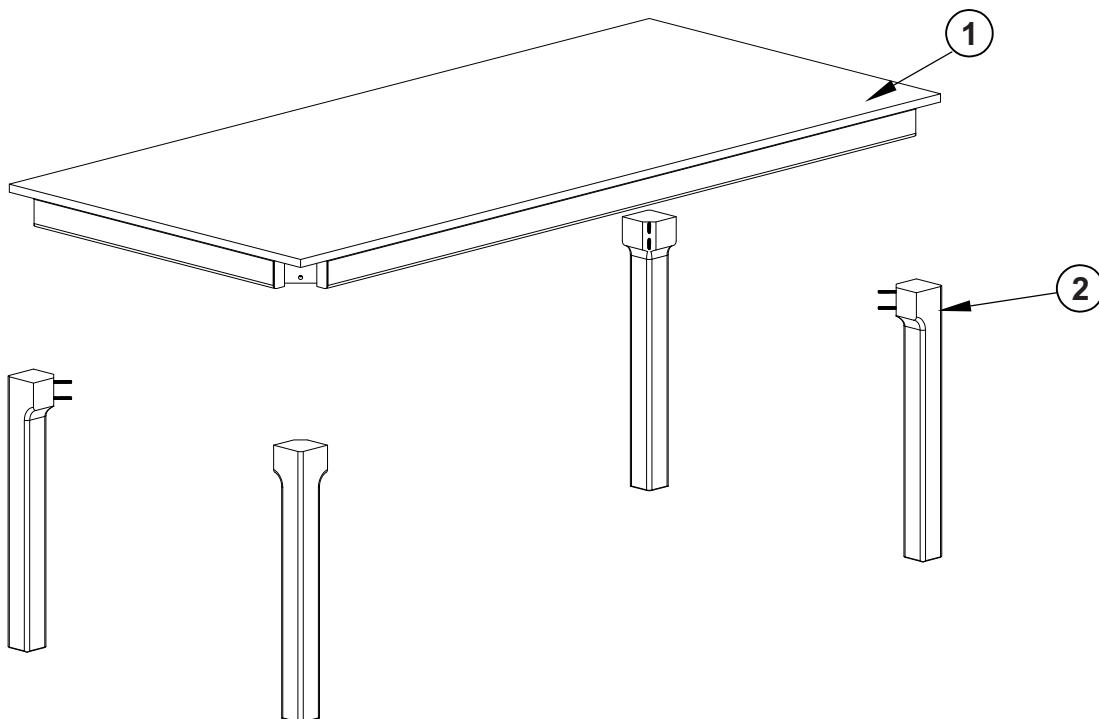
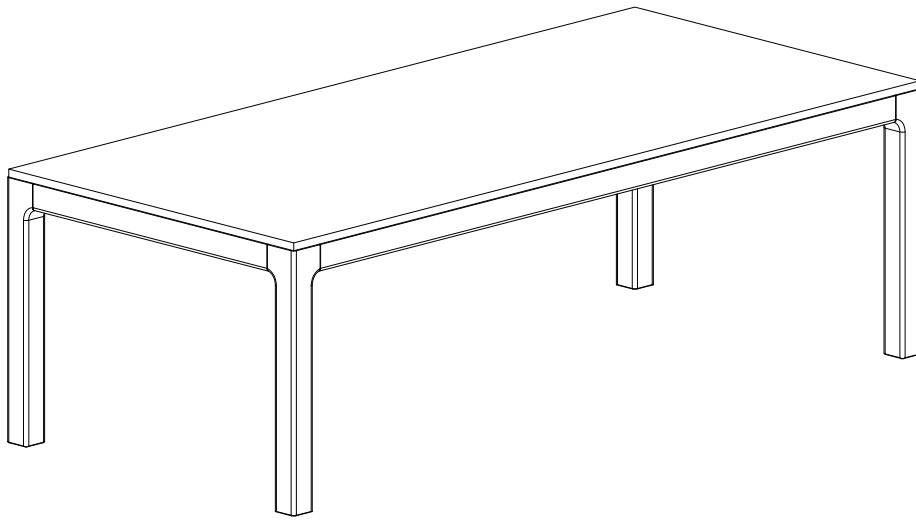


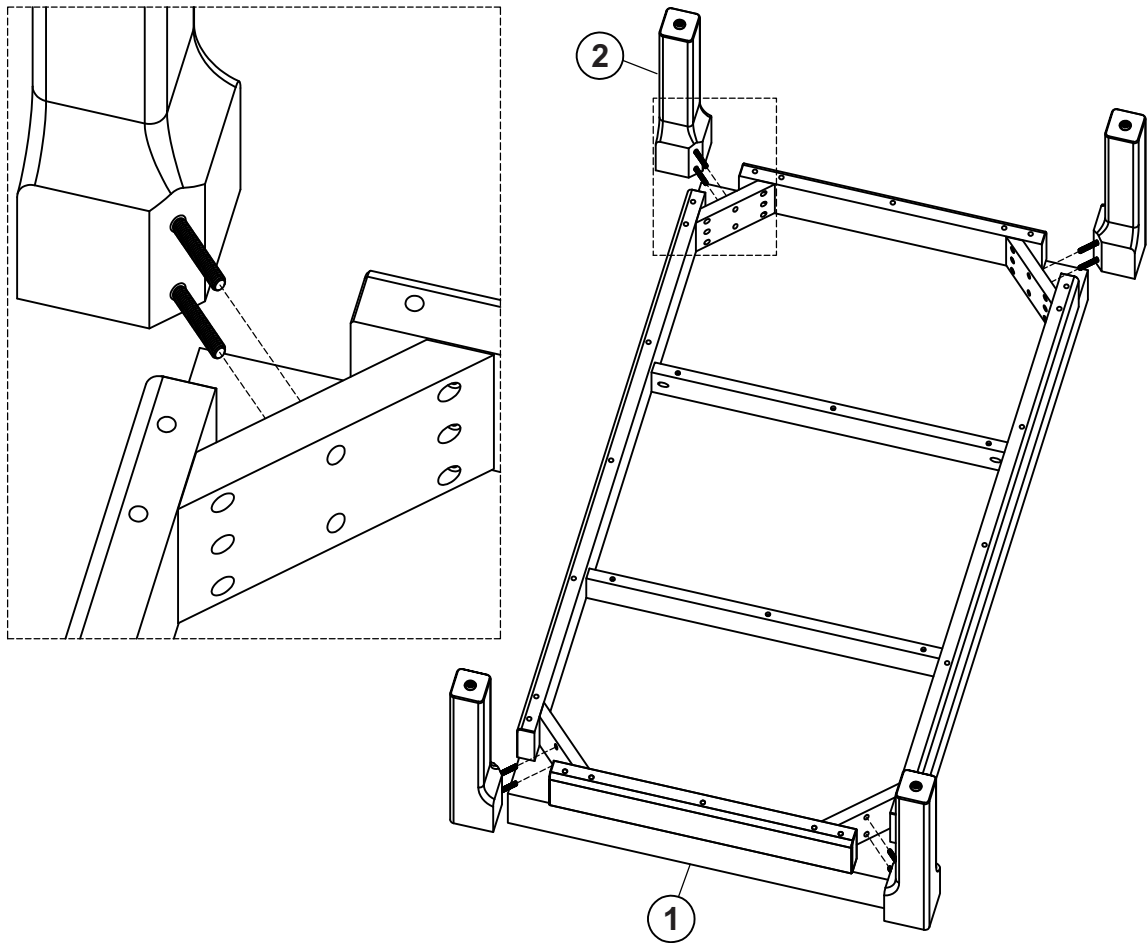
ASSEMBLY INSTRUCTION FOR

MODEL: Dining Table

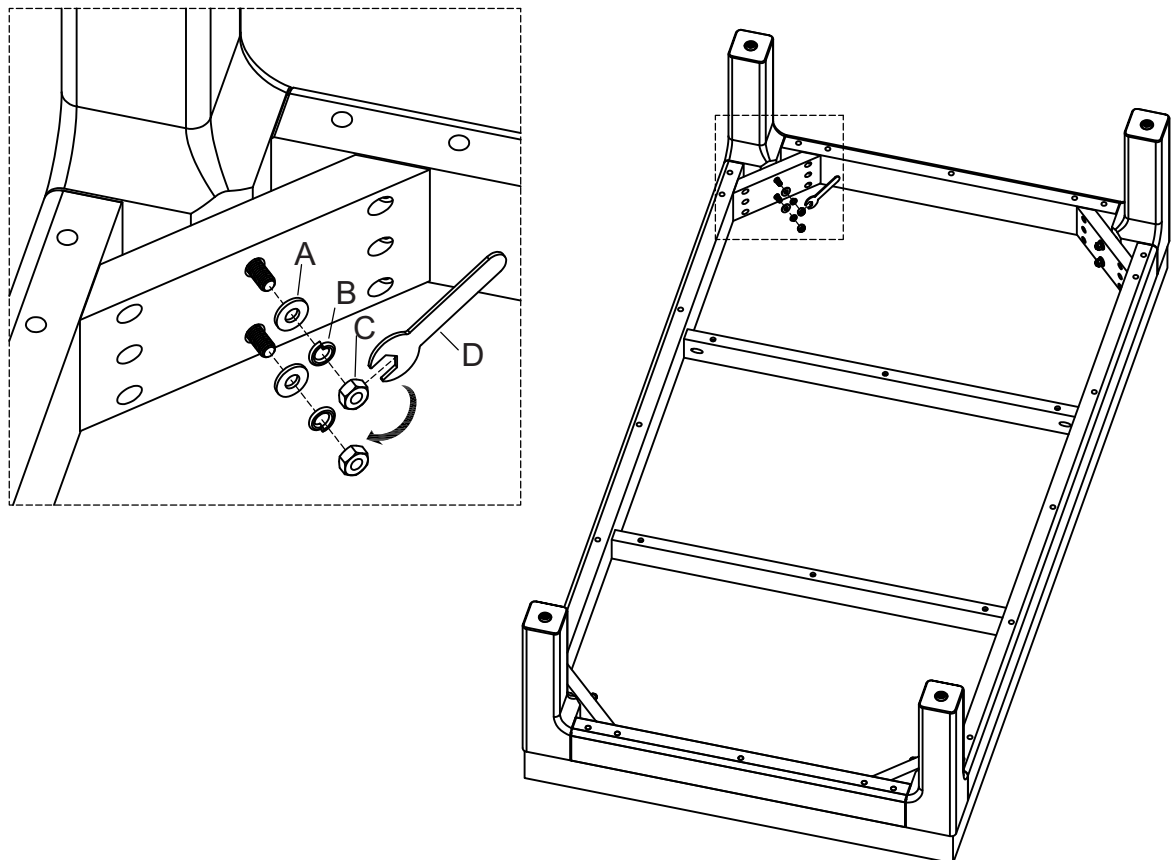
HARDWARE LIST				
A		Washer	2x8x18mm	8
B		Spring washer	2x8x14mm	8
C		Nut	M8	8
D		Wrench	M13	1



Step: 1



Step: 2



Adjusting Floor Levelers

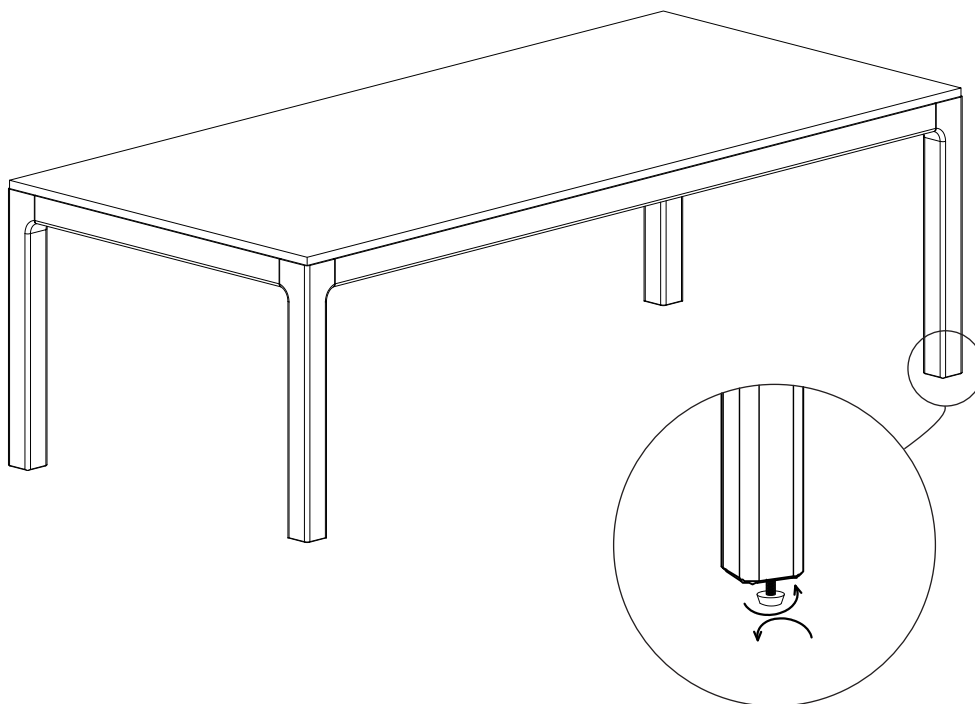
Your furniture has been expertly crafted and pre-adjusted by professionals. However, slight shifts can occur during transportation. If you notice that the doors are not perfectly aligned or the furniture wobbles, a quick adjustment can help ensure stability and a seamless look.

Adjust the Floor Levelers

Check for Stability – Place the furniture in its final position on a level surface. If it wobbles or doesn't sit evenly, the floor levelers need adjusting.

Locate the Levelers – These are small adjustable feet found at the bottom corners of your furniture.

Adjust as Needed – Using your hand or a wrench, turn the levelers clockwise to raise or counterclockwise to lower the furniture. Make small adjustments and check stability after each turn.



ADJUST LEVERLER