

AFTERSALE SERVICE

Dear customer,

Thank you so much for purchasing the product from us, we really appreciate your support.

We are aimed to provide the best shopping experience to our customers. We also want to build a mutually beneficial relationship with our customers, and step further to make our brand both reliable, responsible and recommendable.

We hope that our products could meet your needs and expectations, please consider us again if you need more products for your home and kitchen.

The package would be out of our control during shipping, please contact us through your purchasing channel directly if there is anything wrong with the box or contents. We are always here offering you our service.

We will reply your messages within 24 hours, please kindly wait for the response from our professional service team.

Your comfort and contentment are of utmost importance.

Best Regards,
Customer Care Specialist

ASSEMBLY INSTRUCTION





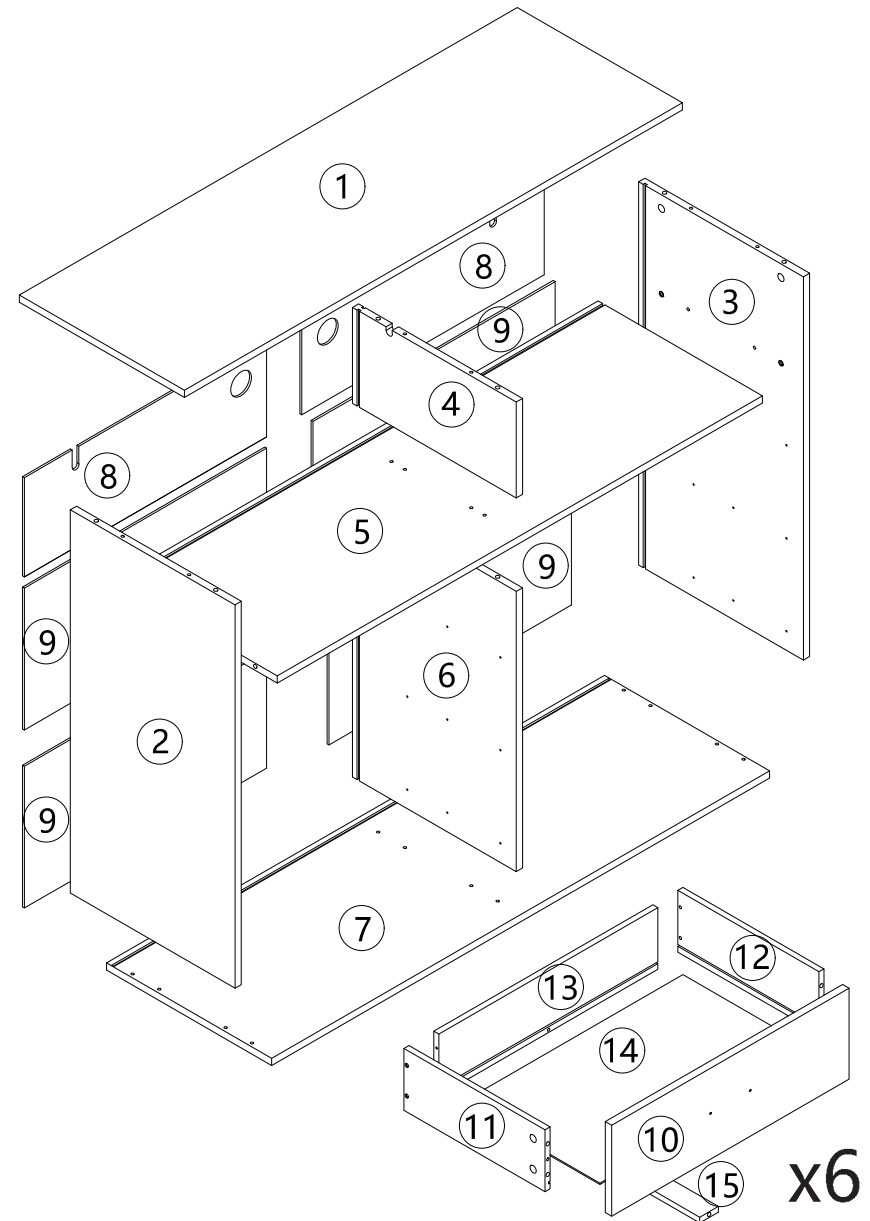
Serious or fatal crushing injuries can occur from furniture tip-over.

ALWAYS secure this furniture to the wall using tip-over restraints.

To further reduce the risk of serious injury and death from tip-overs:

- Install Anti-tip device.
- Place heavier items in the lower drawer.
- Never let children climb or hang on drawers or shelves.
- Do NOT set heavy objects on top of this product.

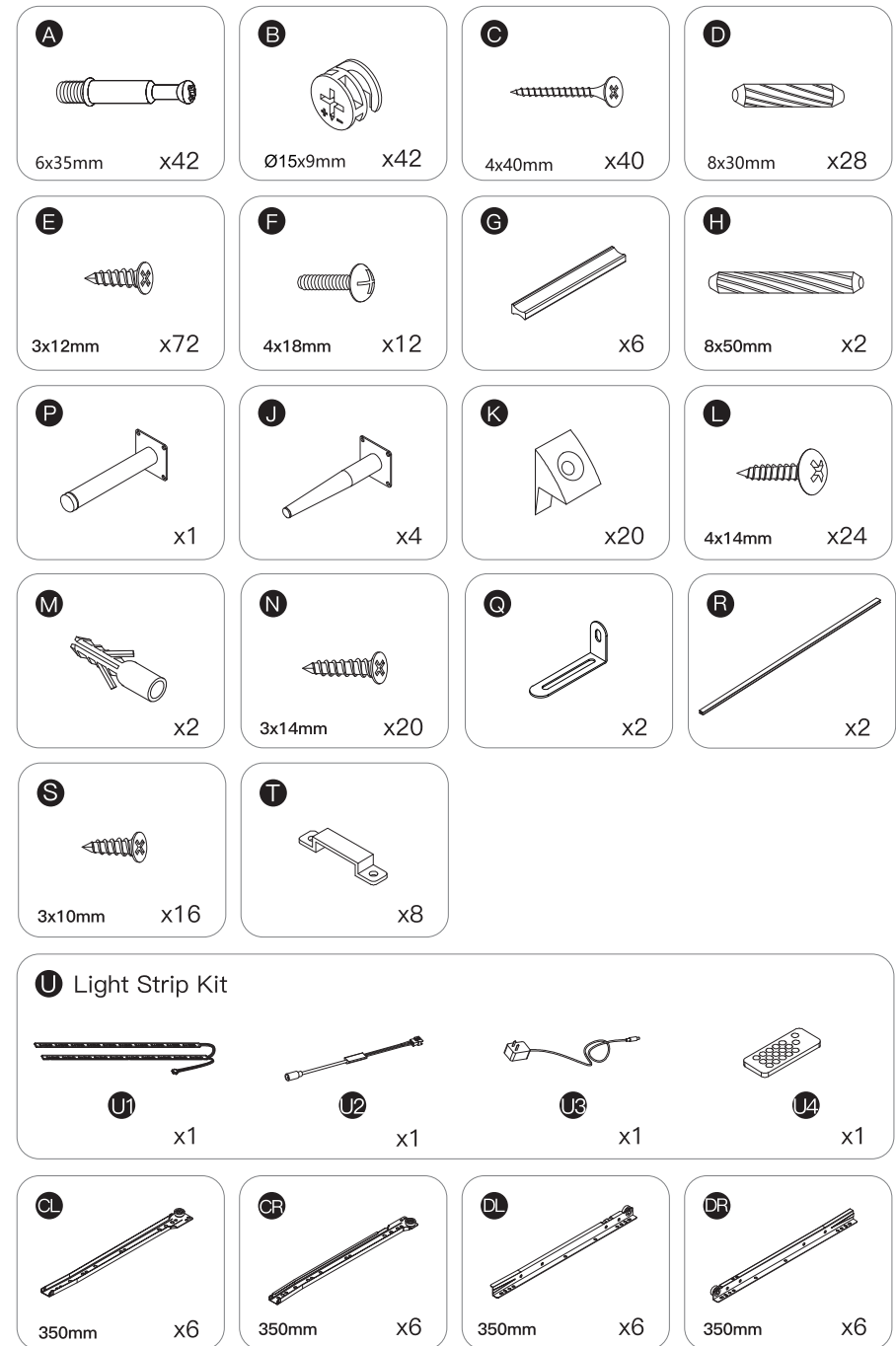
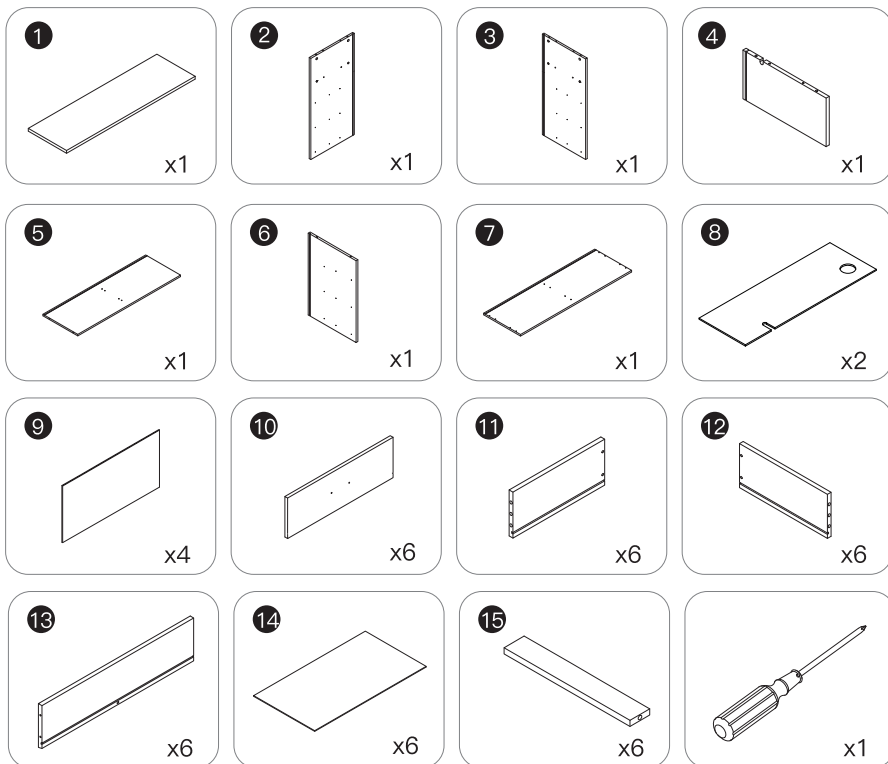
EXPLODED DRAWING:



Please check all parts and accessories according to the parts list before assembling, make sure all contents are sufficient and in good condition.

If there is any parts missing or defective, please contact us immediately with purchase platform message to get replacement parts.

PARTS:

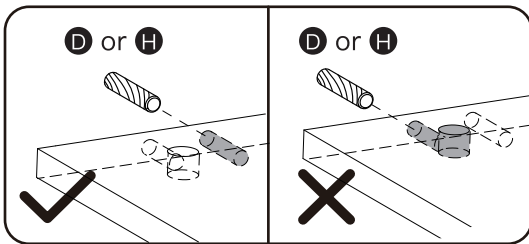


HOW TO INSTALL

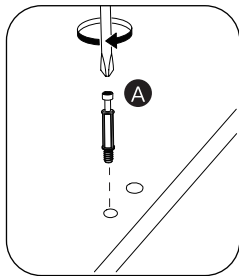
NOTICE:

1. Use electric drill for easier installation experience.
2. Please drive the screws in pre-drilled holes.
3. Please strictly follow the instruction and diagram in every step.
4. Make sure every part is on the right position, otherwise it may cause unnecessary problem.
5. Select the proper component via the label on every part while assembling.

REMARK:

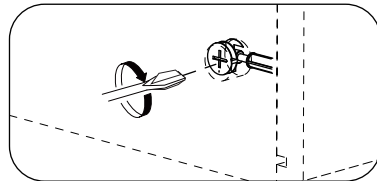
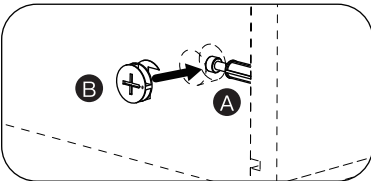


Avoid inserting part D or H into wrong holes.

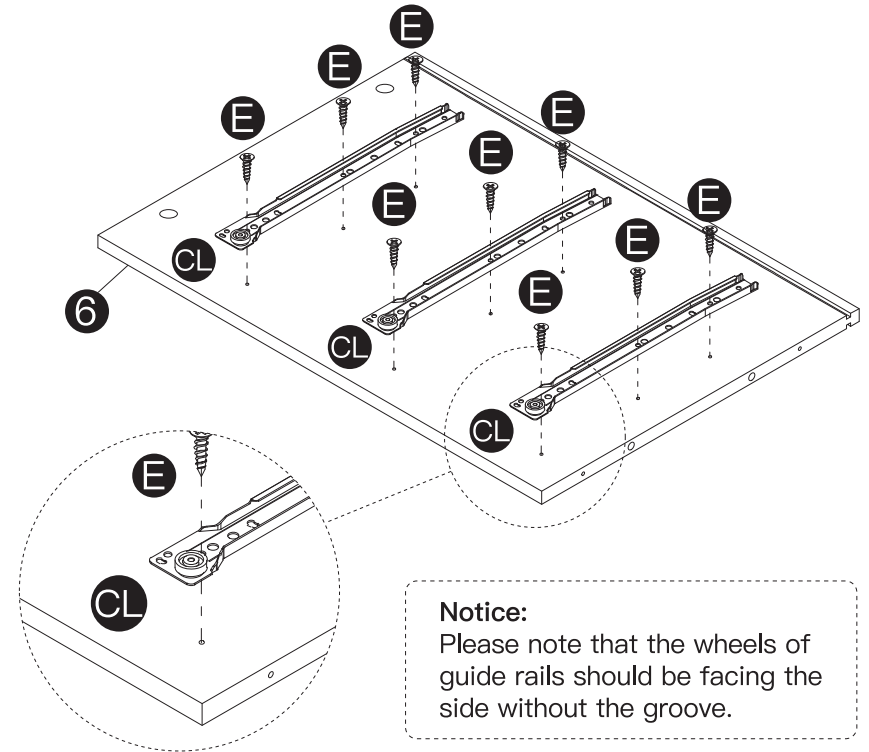
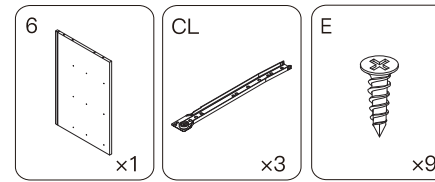


Part A must be installed into the holes with rubber nuts which are smaller than others.

When locking part B, please make sure part A is fully inserted.

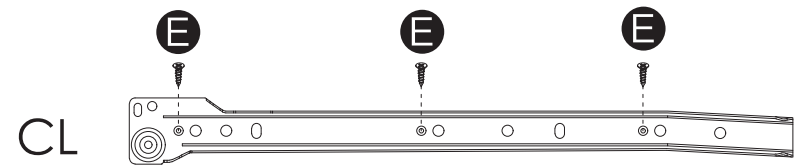


Step 1 Install part **CL** on part **6**, use part **E** to screw them tight.



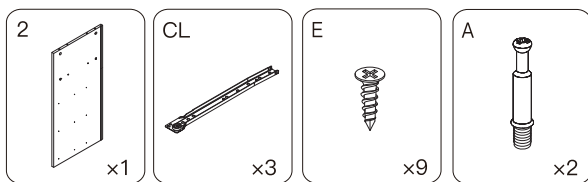
Notice:
Please note that the wheels of guide rails should be facing the side without the groove.

REMARK:



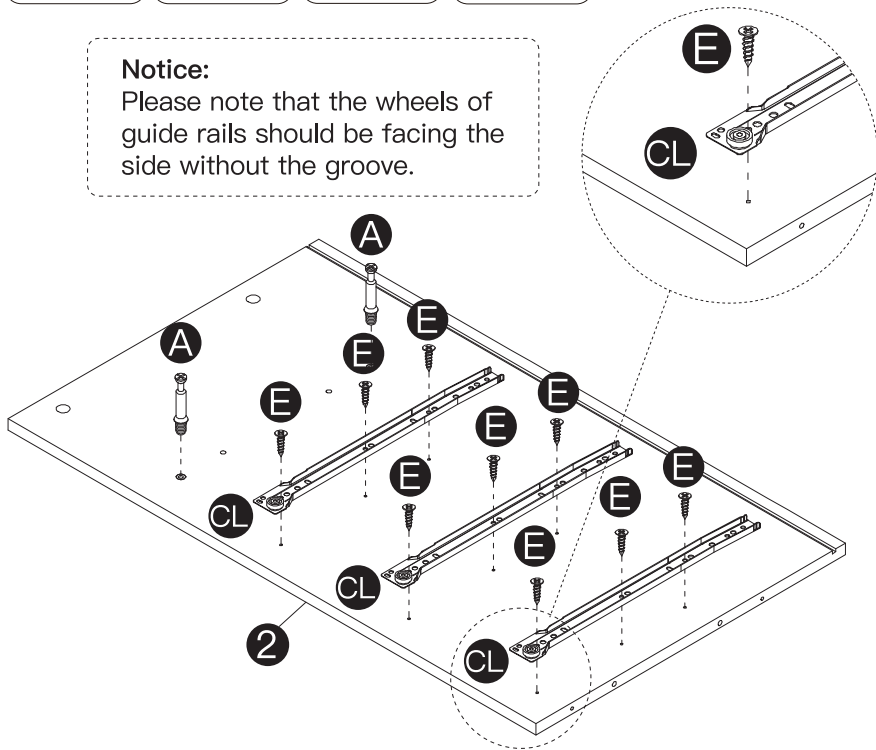
Step 4

Install part **CL** on part **2**, use part **E** to screw them tight.
Install part **A** on part **2**.

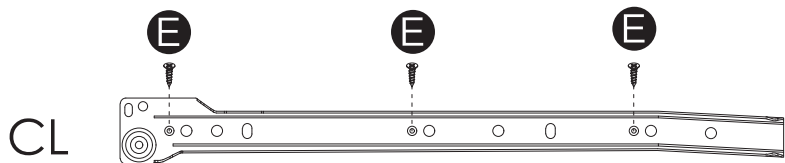


Notice:

Please note that the wheels of guide rails should be facing the side without the groove.

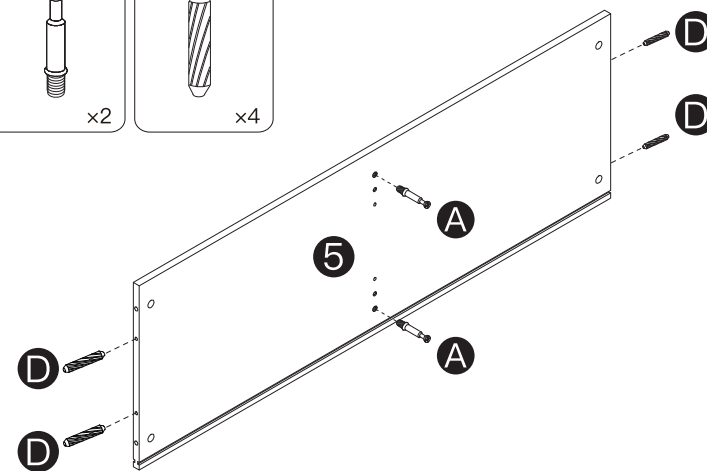
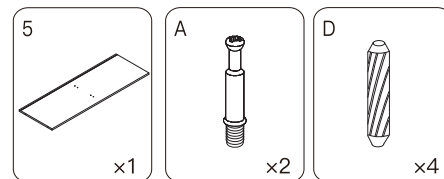


REMARK:



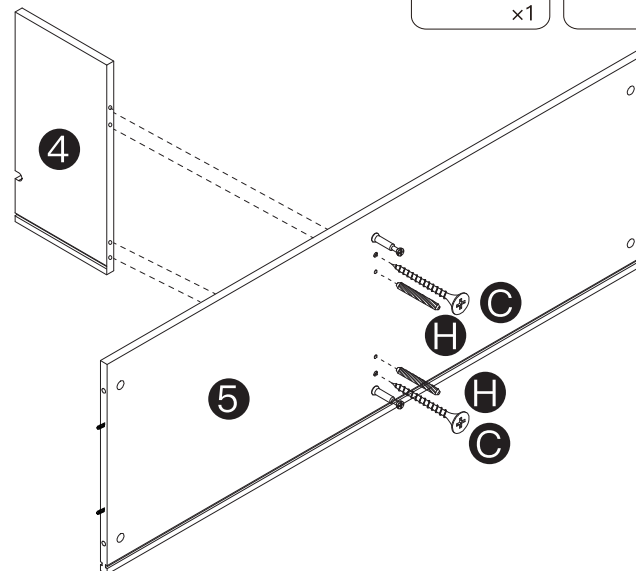
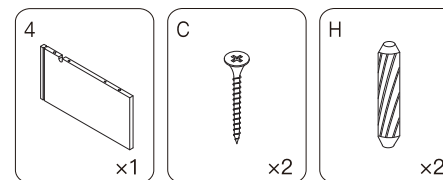
Step 5

Install part **A** and part **D** on part **5**.



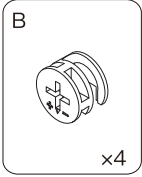
Step 6

Install part **4** on part **5**, use part **C** and **H** to screw them.



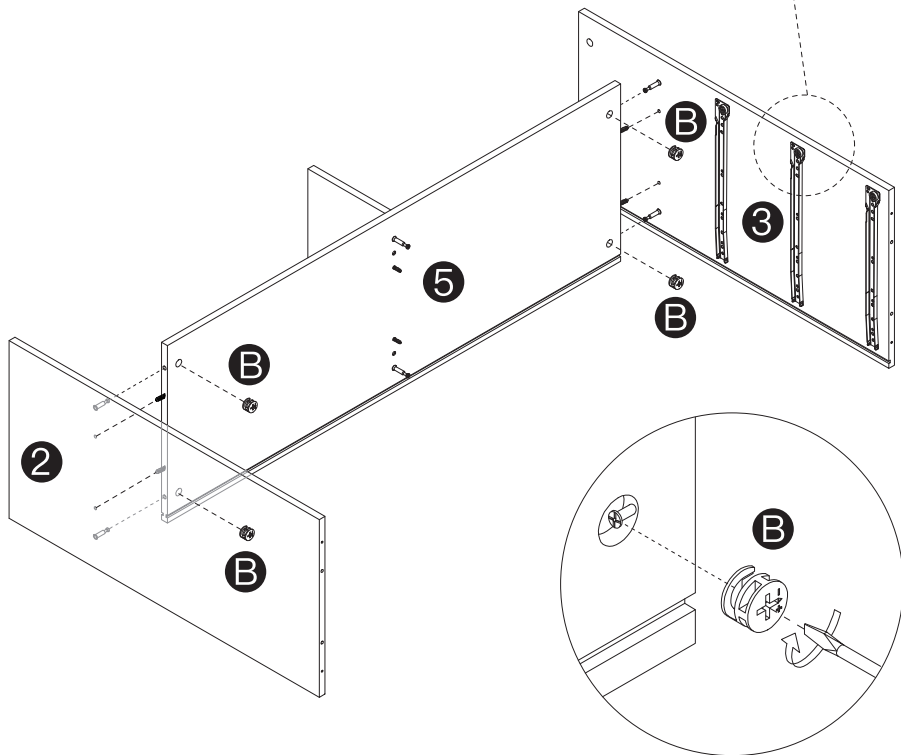
Step 7

Connect part ② & ③ with part ⑤, use part ① to screw them.



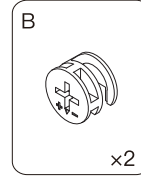
Notice:

Make sure the wheels part of guide rails are oriented the same way.



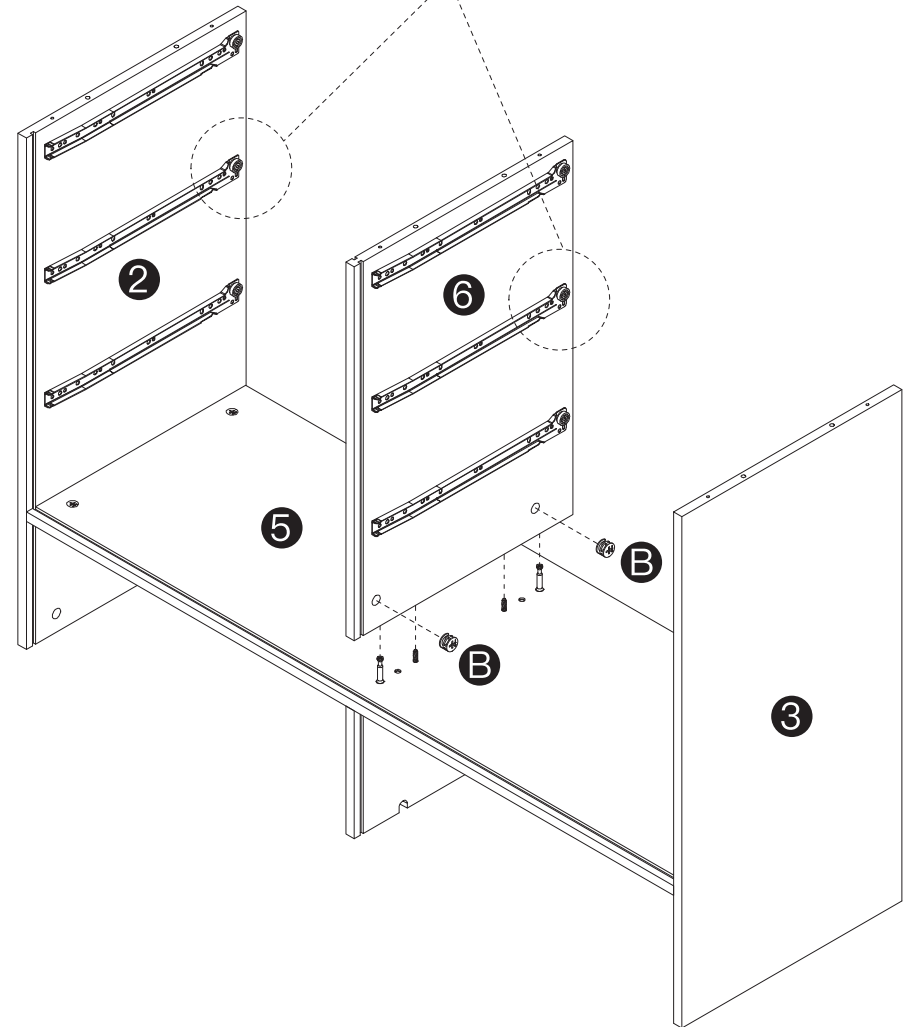
Step 8

Install part ⑥ on part ⑤, use part ① to screw them.

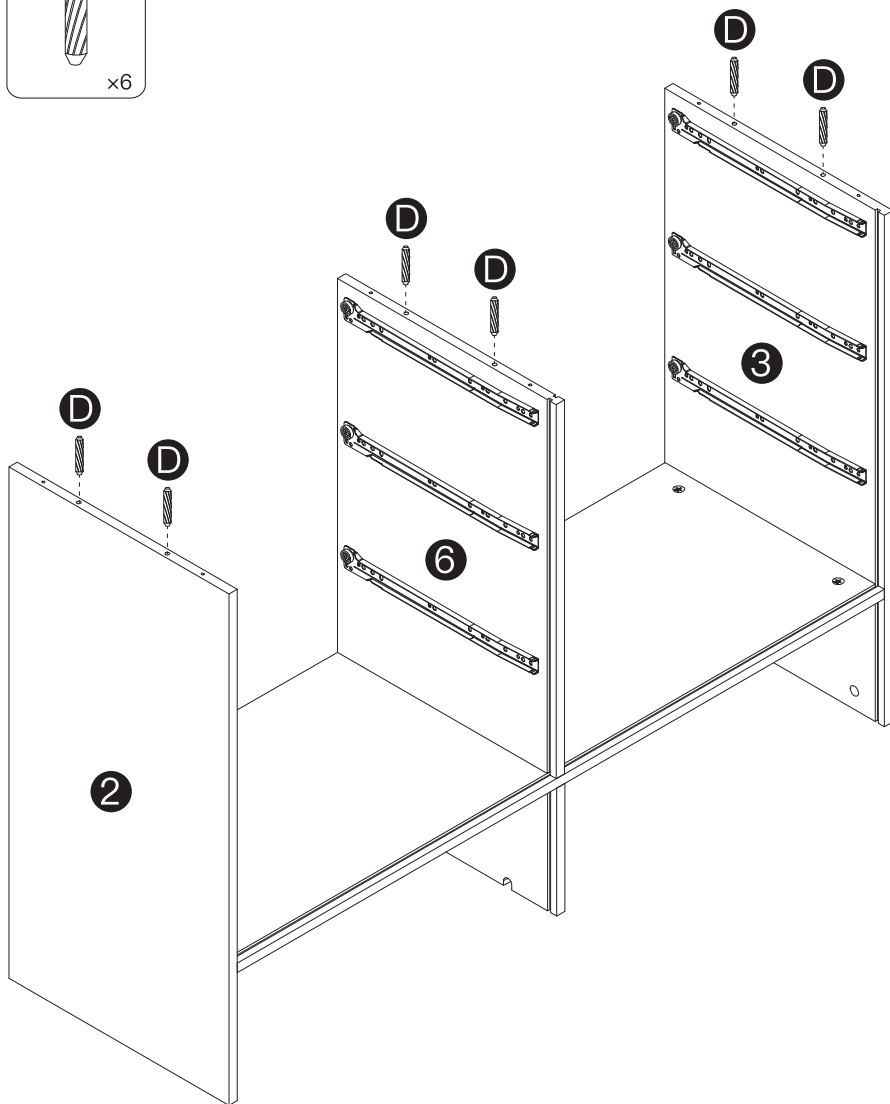
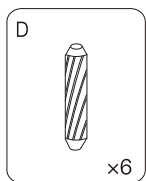


Notice:

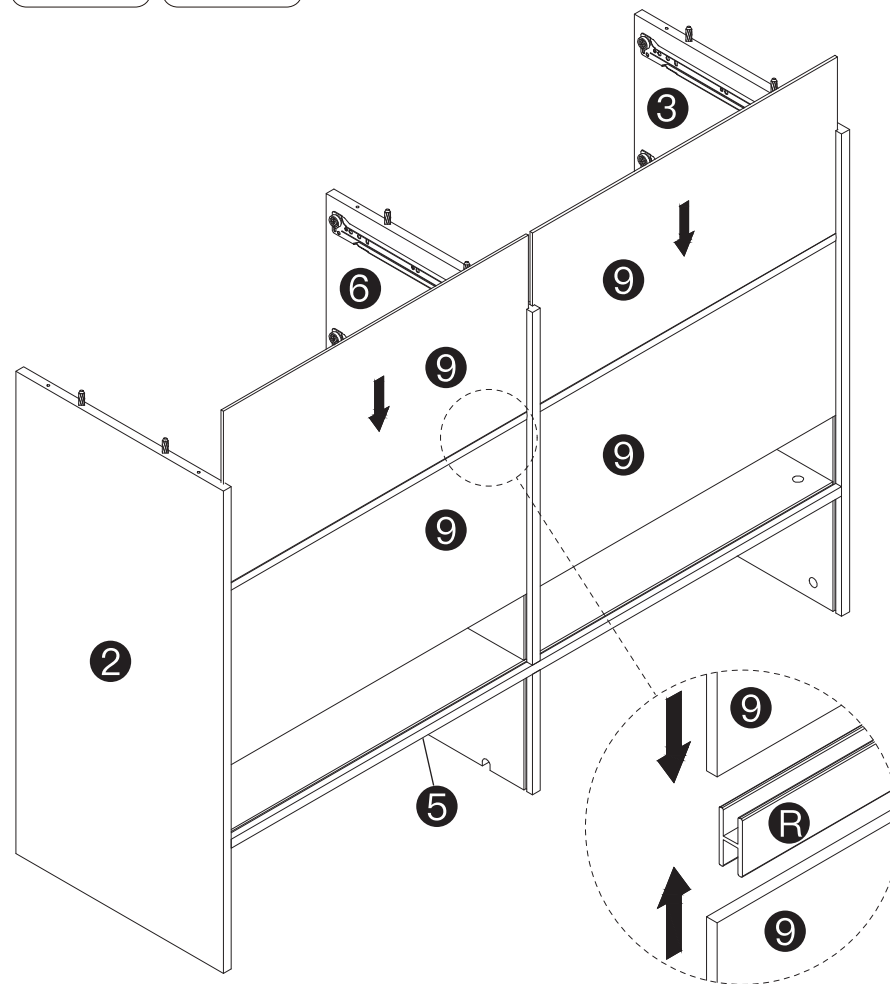
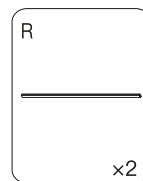
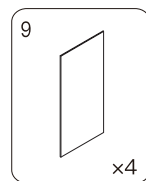
Make sure the wheels part of guide rails are oriented the same way.



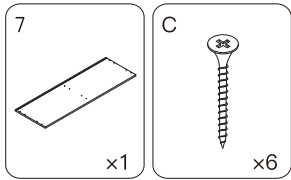
Step 9 Insert part **D** into part **2** & **3** & **6**.



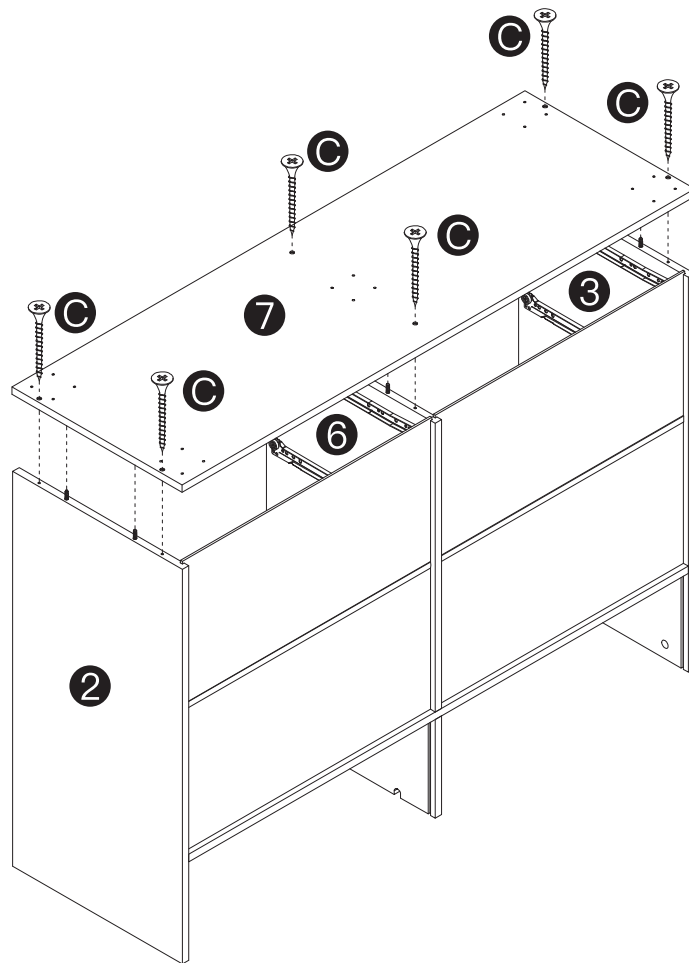
Step 10 Slide part **9** and part **R** into the rabbets of part **2** & **3** & **5** & **6**.



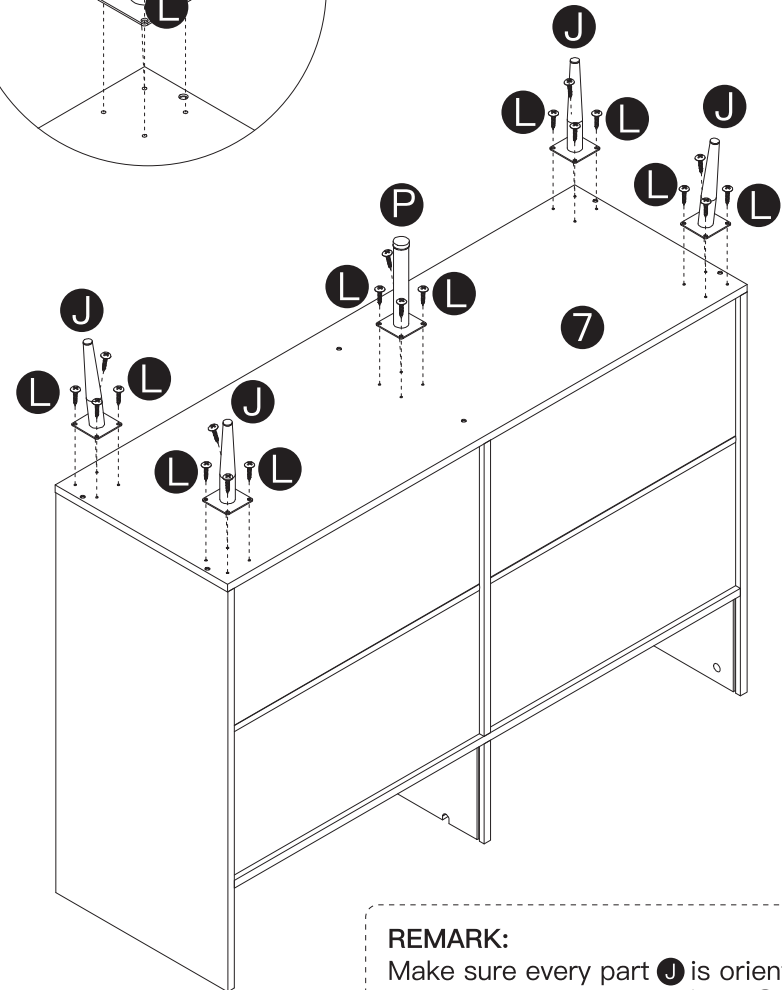
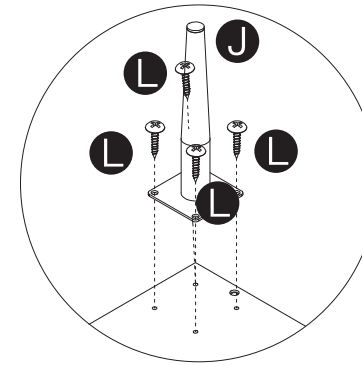
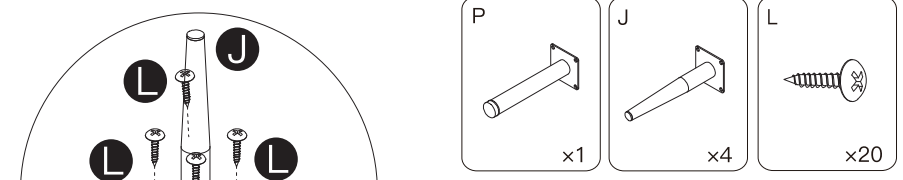
Step 11 Install part **7** on part **2** & **3** & **6**, use part **C** to screw them.



REMARK:
Make sure screw part **C** in the middle first after part **7** engages the tennons.



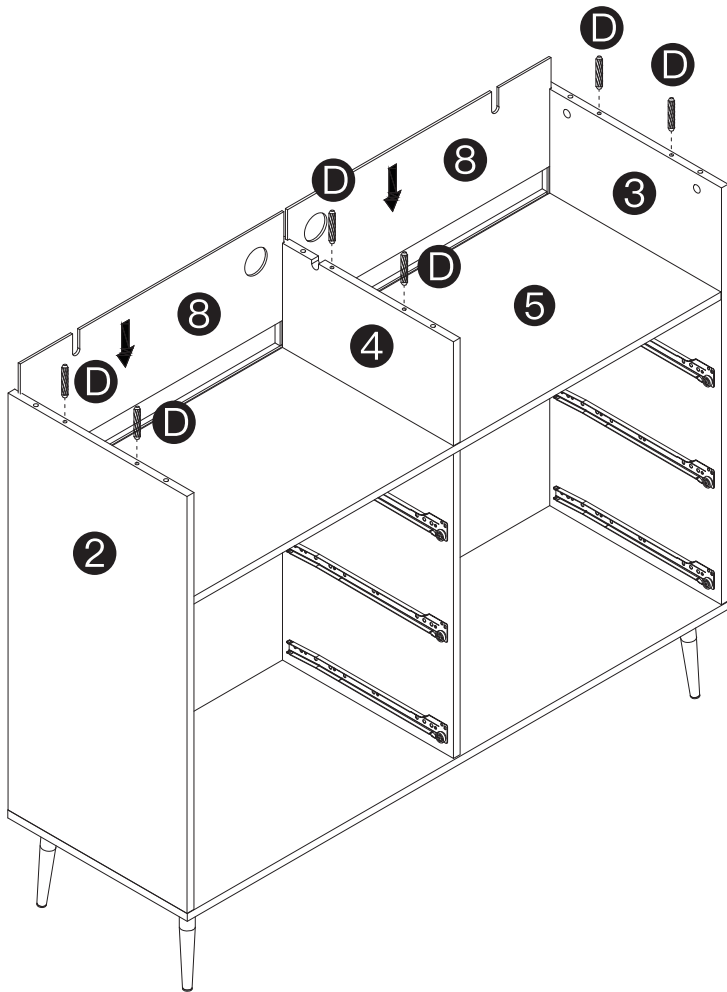
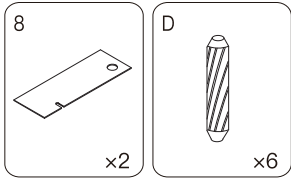
Step 12 Install part **P** and **J** on part **7**, use part **L** to screw them.



REMARK:
Make sure every part **J** is oriented the corner of the board (part **7**).
Turn it over after finishing this step.

Step 13

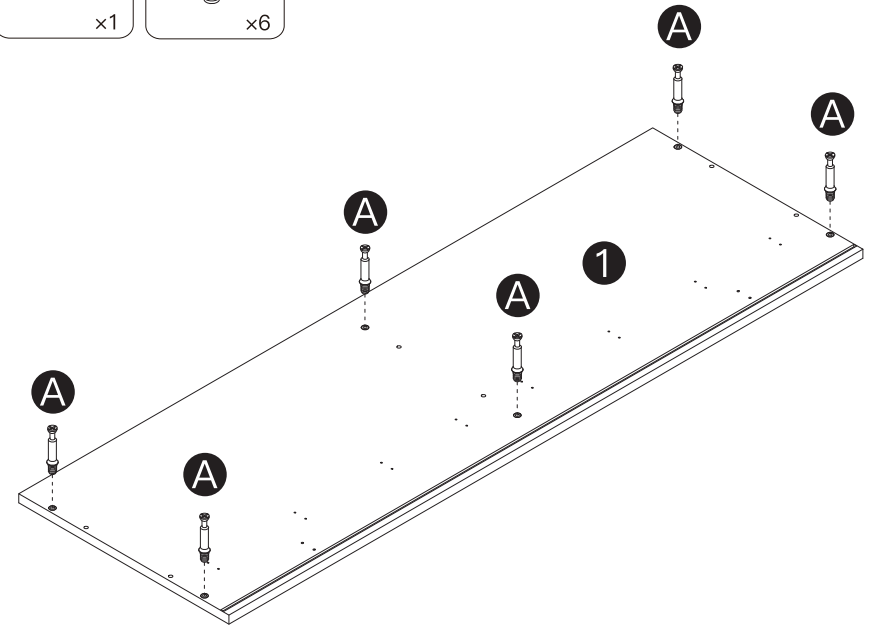
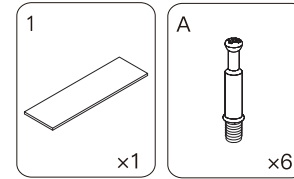
Slide part 8 into the rabbets of part 2 & 3 & 4 & 5.
Insert part D into part 2 & 3 & 4.



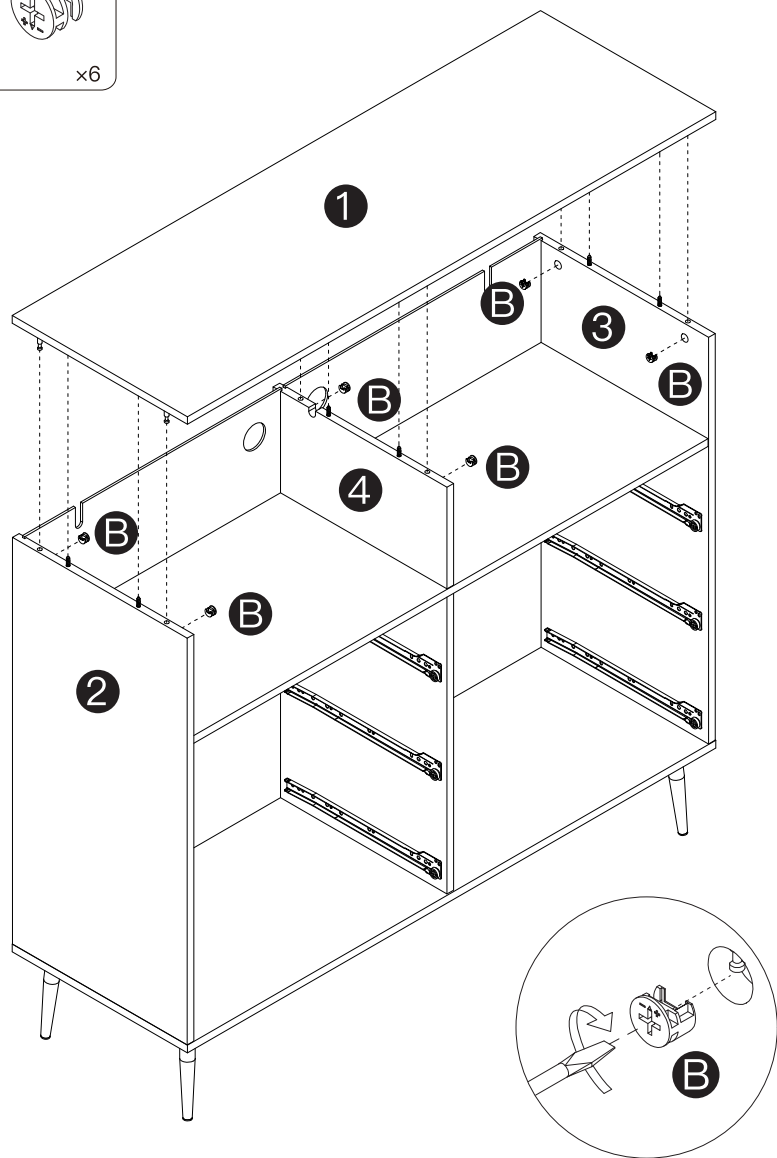
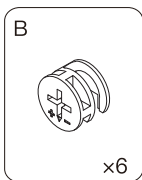
Step 14

Install part A and the anti-tip device (Optional, part Q) on part 1.

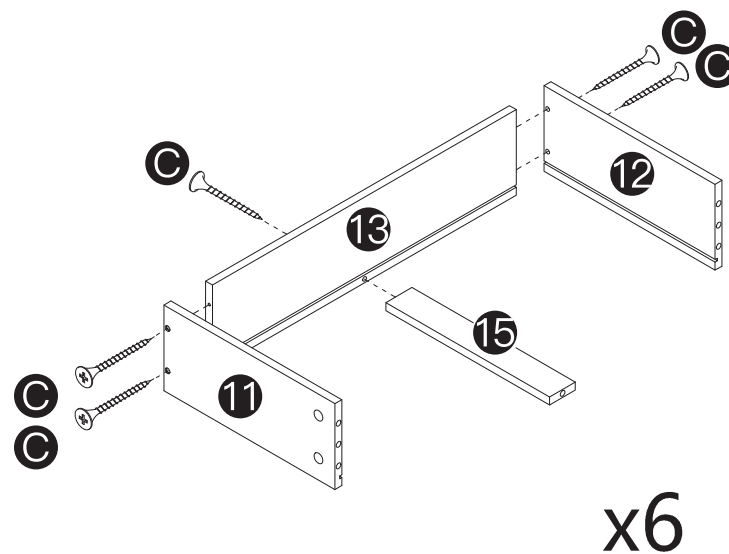
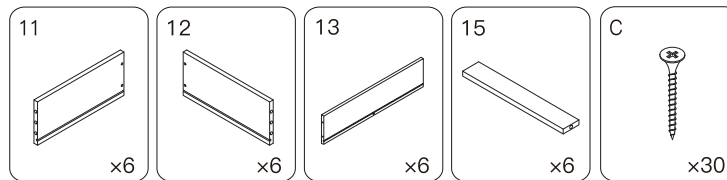
(1) Install part A on part 1.



Step 15 Install part 1 on part 2 & 3 & 4, use part B to screw them.

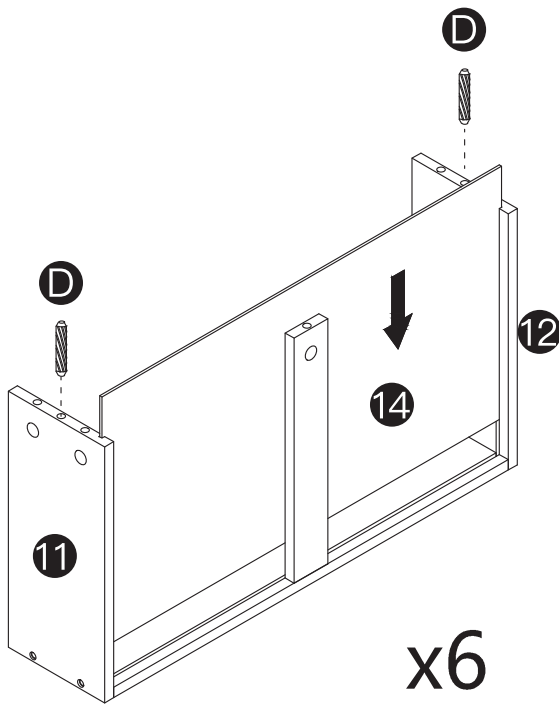
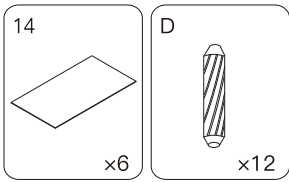


Step 16 Install part 11 & 12 & 15 on part 13, use part C to screw them.



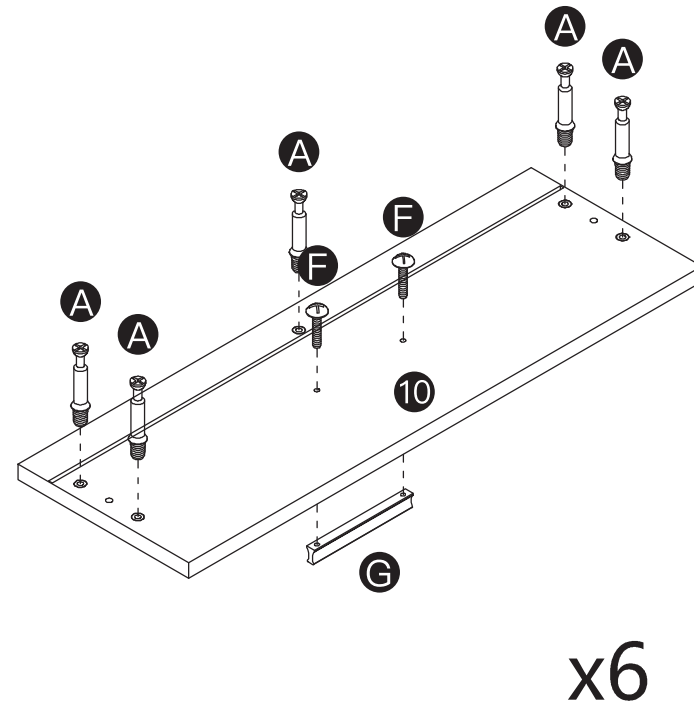
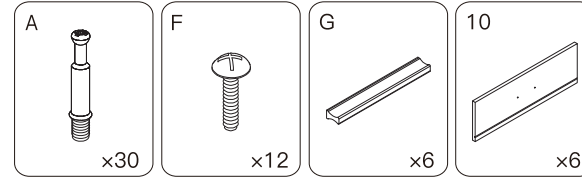
Step 17

Slide part 14 into the rabbets of part 11 & 12.
Insert part D into part 11 & 12.



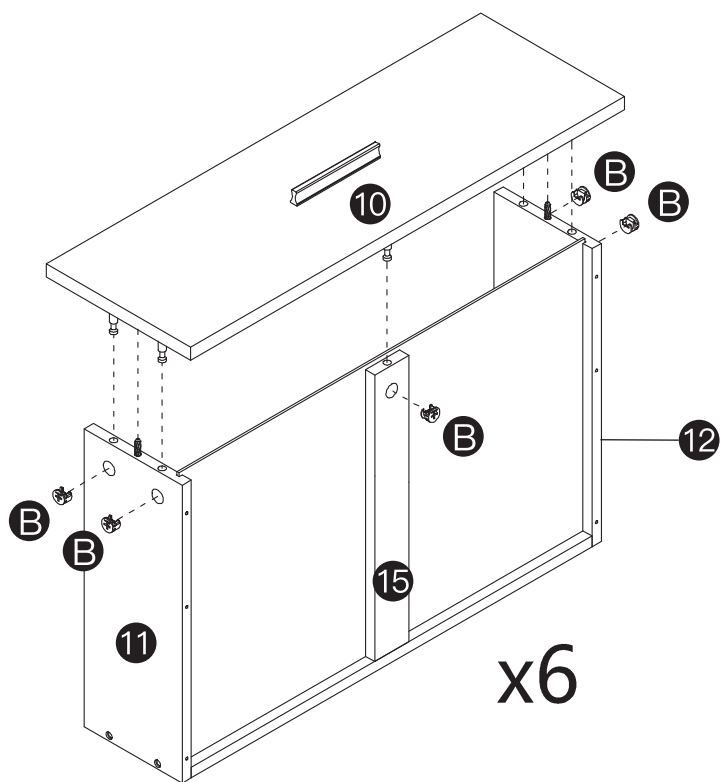
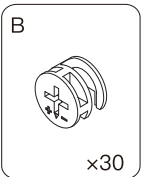
Step 18

Install part G on part 10, use part F to screw them.
Install part A on part 10.



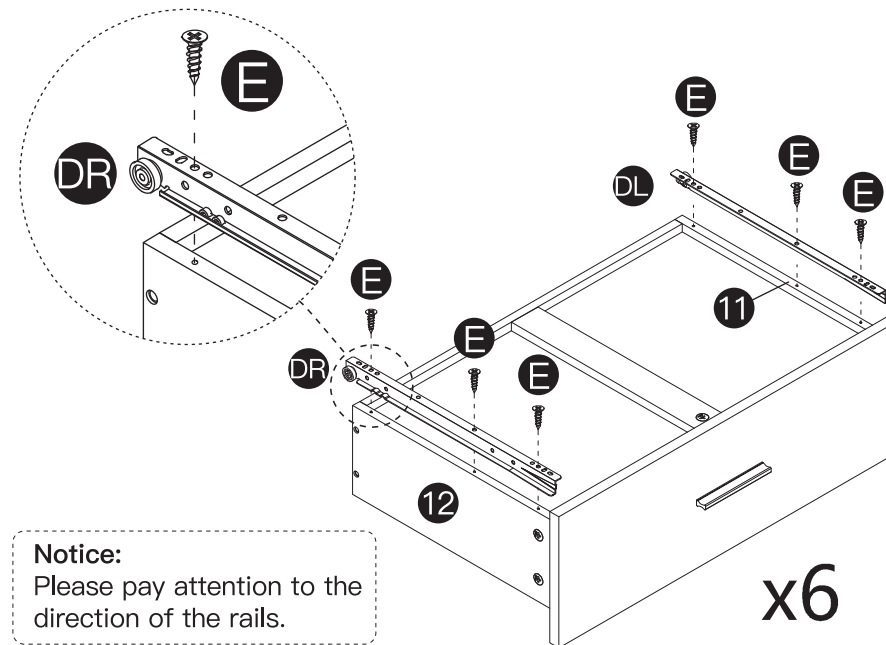
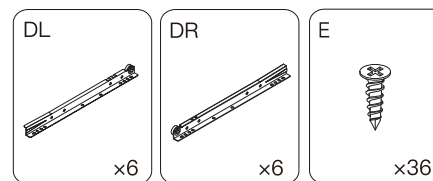
Step 19

Install part 10 on part 11 & 12 & 15, use part B to screw them.



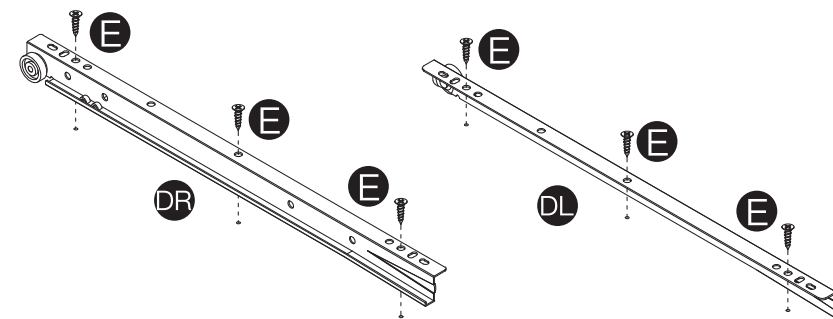
Step 20

Install part DL on part 11, part DR on part 12 respectively, use part E to screw them tight.

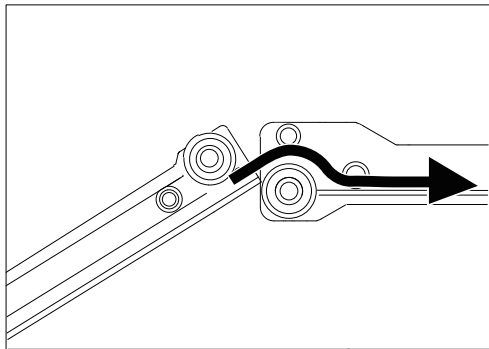
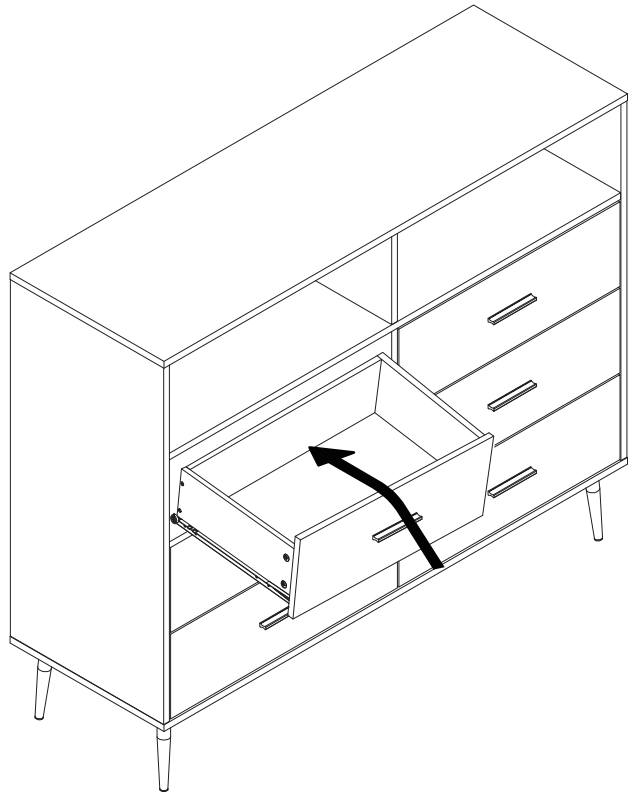


Notice:
Please pay attention to the direction of the rails.

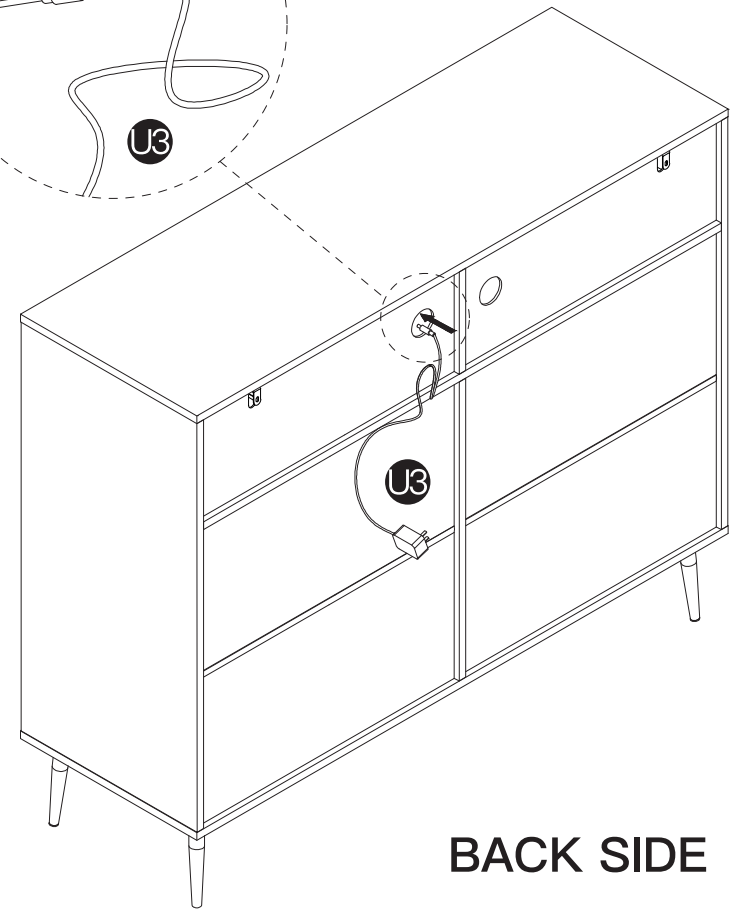
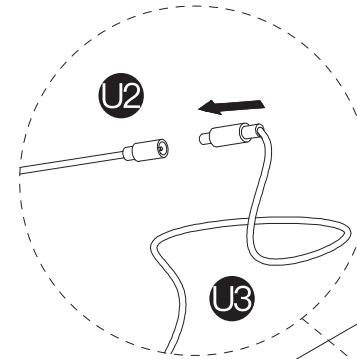
REMARK:



Step 21 Align and put all drawers in.



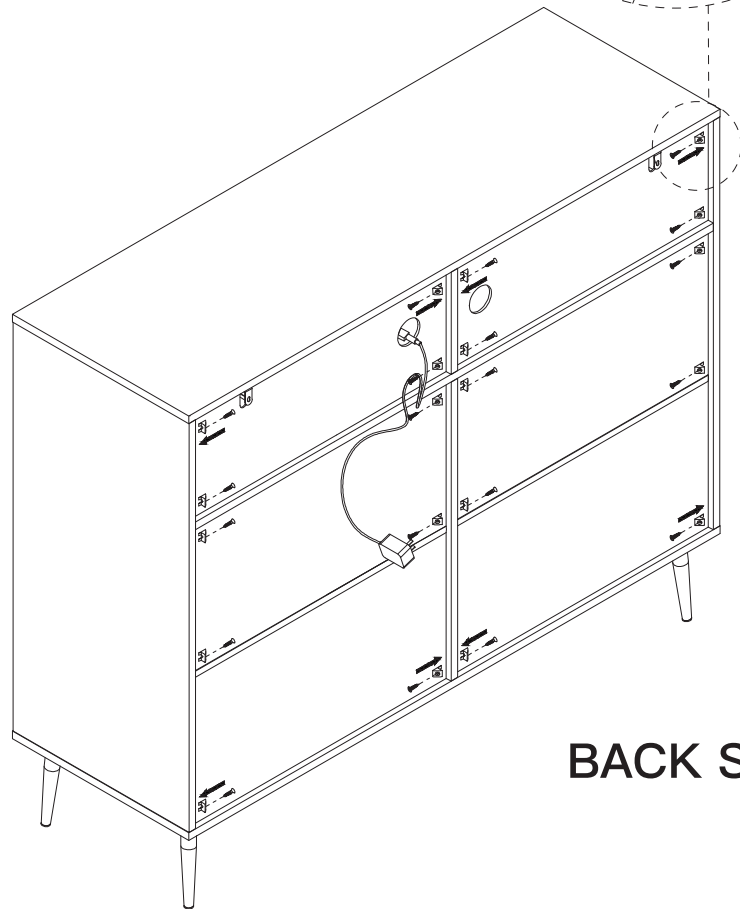
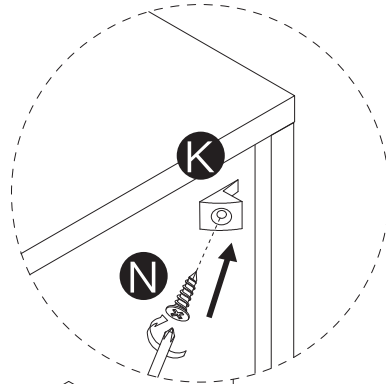
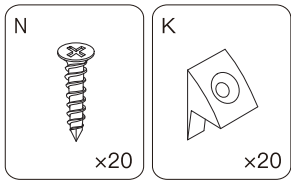
Step 22 Plug the power adapter (part U3) into the LED driver (part U2).



BACK SIDE

Step 23

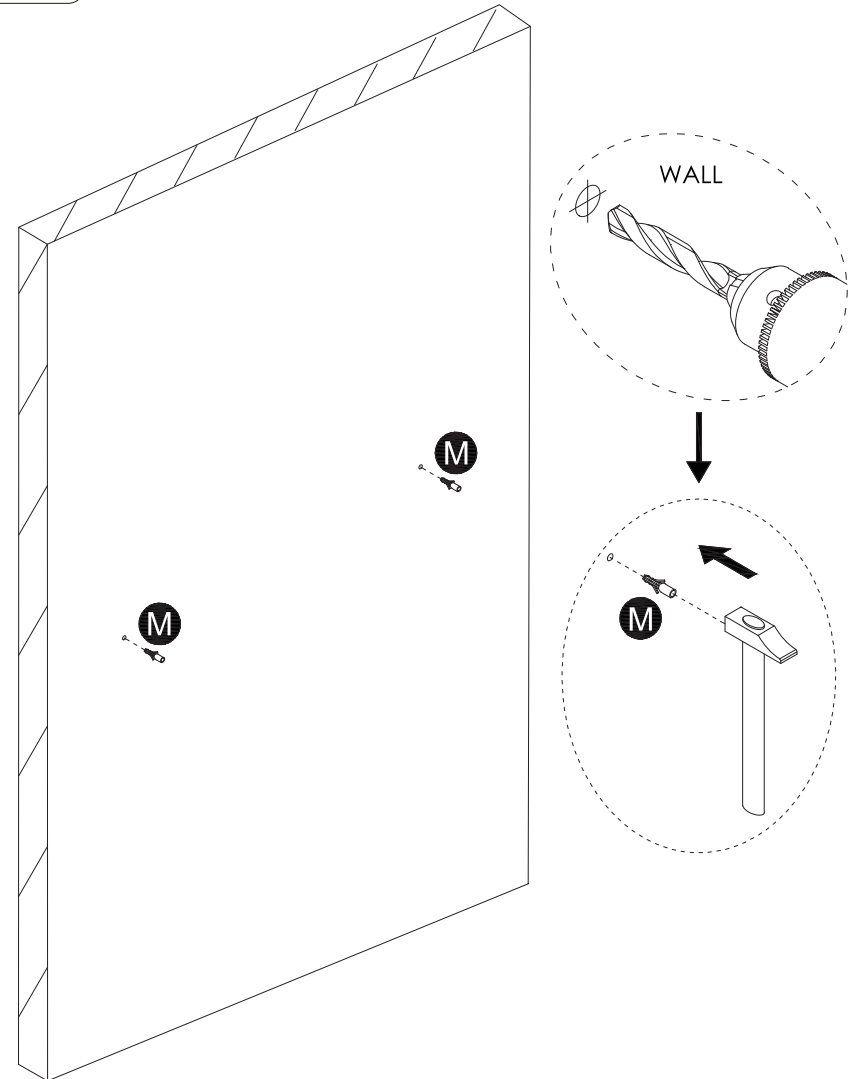
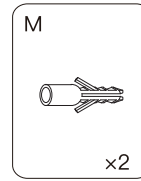
Insert part **K** along the grooves of backboard, screw them with part **N** for better stability.



BACK SIDE

Step 24

(Optional) Drill two holes on a solid wall and insert wall anchors (part **M**) inside the holes.



Step 25 (Optional) Lock the drawer frame with part **C** .

