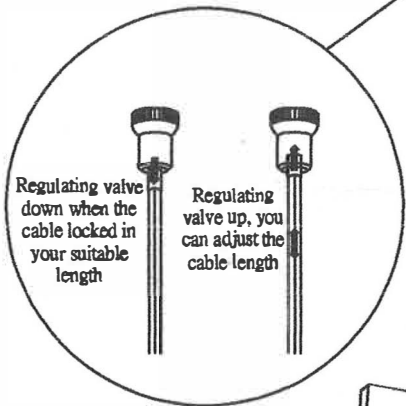
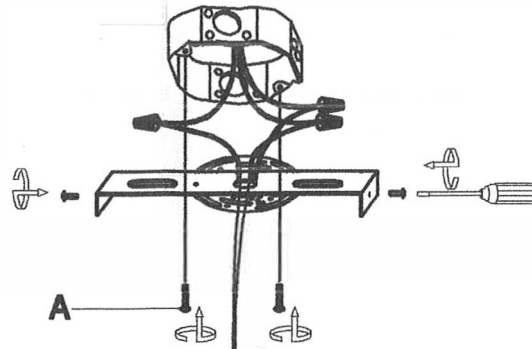


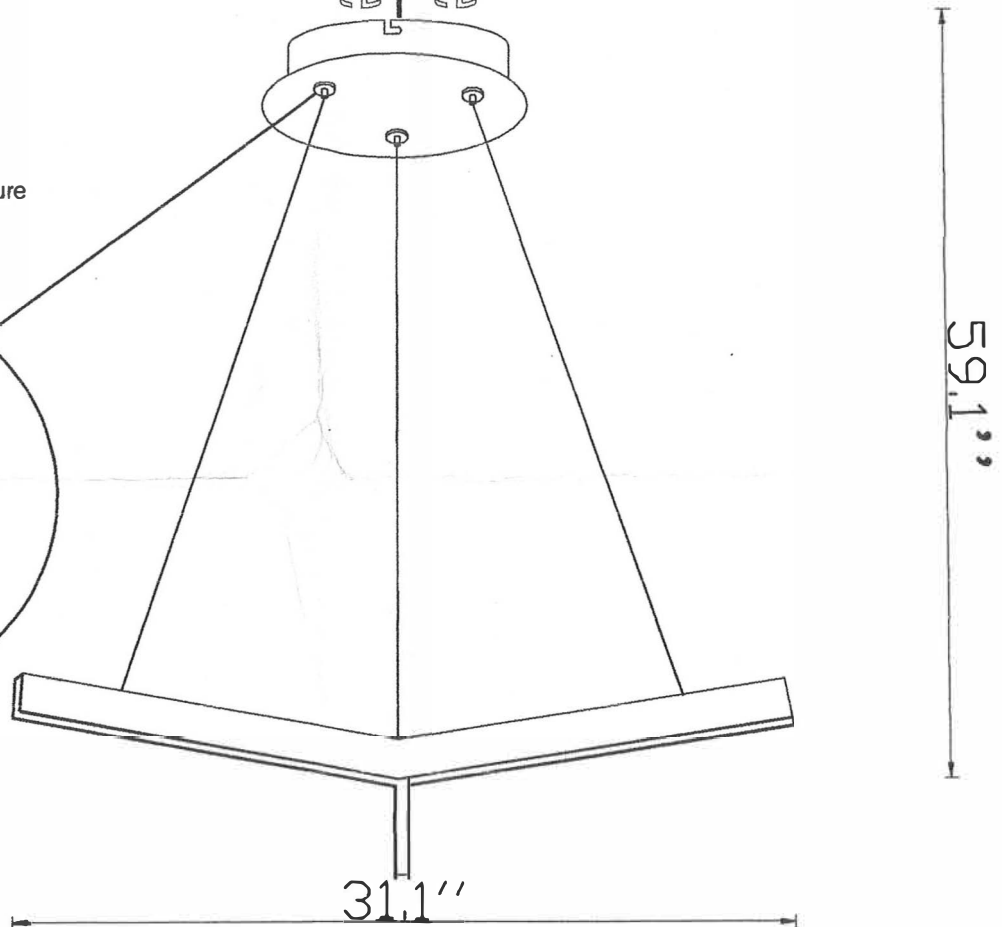
Wire connection

- A-Outlet box screw x 2
- B-Black wire (L) from junction box
- C-White wire (N) from junction box
- D-Green wire/bare copper (G) from junction box
- E-Black wire (L) from fixture
- F-White wire (N) from fixture
- G-Green wire/Bare copper from fixture
- H-wire connector x 3



Regulating valve down when the cable locked in your suitable length

Regulating valve up, you can adjust the cable length



110V-120V ~60Hz LED 45W

INSTALLATION NOTICE

1. Please read the Instruction sheet carefully before installing the lamps.
2. In order to protect products, please use gloves when assembling the lamps, Don't scratch the surface to the products.
3. The lamps can't be used any longer if the cords of the lamps are damaged.

WARNING

Shut off the power before assembling the lamps. Make sure it's safe when assemble the lamps strictly according to the instruction sheet. Our company will not be responsible for any breakage caused by incorrect installation.