

NOTICE

- * Please make sure that you have all parts indicated and they are in good condition before you begin assembly of this item. Refer to part list and hardware list below for guidance.
- * This item should be assembled on a soft surface to prevent scratching the finish during assembly.
- * This item may require periodic tightening.
- * If you are having difficulty, our friendly Customer Care team is always here to help.




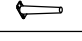


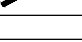
PREPARATION

- * Before beginning assembly of product, make sure all parts are present. Compare parts with part contents list and hardware contents list.
- * If any part is missing or damaged, do not attempt to assemble the product.
- * Estimated Assembly Time: **120 minutes**.
- * Tools Required for Assembly (included): **Allen Key**

CARE AND MAINTENANCE

Store outdoor furniture indoors or cover well when not in use. Dust regularly with small brush or vacuum. Spills should be taken care of immediately before they harden or stain with a slightly damp sponge.

Part List and Hardware List

| PIECE | DESCRIPTION | PICTURE | QUANTITY |
|-------|------------------------------|---|----------|
| A | Top Table Frame |  | 1X |
| B | Right Bench Frame |  | 1X |
| C | Left Bench Frame |  | 1X |
| D | Corner Bench Frame |  | 1X |
| E | Back Bench Frame |  | 3X |
| F | Back Corner Frame |  | 1X |
| G | Leg Table Frame |  | 4X |
| H | Leg Side Bench Frame |  | 4X |
| I | Leg Bench Frame |  | 8X |
| CSH1 | Seat Cushion |  | 3X |
| CSH2 | Back Cushion |  | 6X |
| CSH3 | Small Back Cushion |  | 1X |
| HW1 | Allen Bolt: M6 x 0.5 x 20 mm |  | 64X |
| HW2 | Allen Bolt: M6 x 0.5 x 35 mm |  | 22X |
| HW3 | Flat Washer: M6 x 1 mm |  | 86X |
| HW4 | Allen Key |  | 3X |

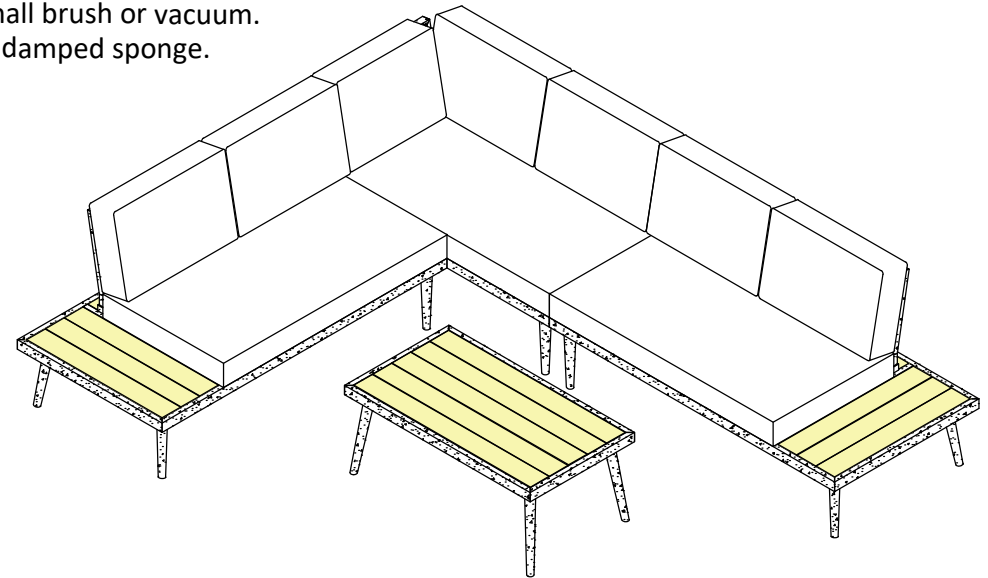
Product Dimensions:

Table: 35.43"W x 19.69"D x 15.16"H

Right Bench: 54.33"W x 27.56"D x 27.56"H

Left Bench: 54.33"W x 27.56"D x 27.56"H

Corner Bench: 47.05"W x 27.56"D x 27.56"H



Weight Capacity : 176 lbs (Table)
704 lbs (Bench)

Warning : Do not stand on Table/Bench
Warning : Do not over torque bolts

NOTICE

- * Please make sure that you have all parts indicated and they are in good condition before you begin assembly of this item. Refer to part list and hardware list below for guidance.
- * This item should be assembled on a soft surface to prevent scratching the finish during assembly.
- * This item may require periodic tightening.
- * If you are having difficulty, our friendly Customer Care team is always here to help.





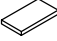
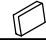





PREPARATION

- * Before beginning assembly of product, make sure all parts are present. Compare parts with part contents list and hardware contents list.
- * If any part is missing or damaged, do not attempt to assemble the product.
- * Estimated Assembly Time: **40 minutes**.
- * Tools Required for Assembly (included): **Allen Key**

CARE AND MAINTENANCE

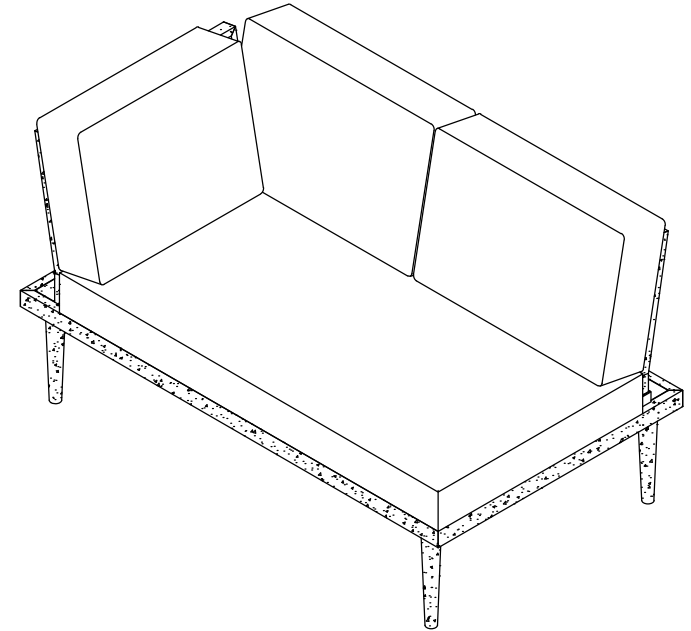
Store outdoor furniture indoors or cover well when not in use. Dust regularly with small brush or vacuum. Spills should be taken care of immediately before they harden or stain with a slightly damp sponge.

Part List and Hardware List

| PIECE | DESCRIPTION | PICTURE | QUANTITY |
|-------|------------------------------|---|----------|
| D | Corner Bench Frame |  | 1X |
| E | Back Bench Frame |  | 1X |
| F | Back Corner Frame |  | 1X |
| I | Leg Bench Frame |  | 4X |
| CSH1 | Seat Cushion |  | 1X |
| CSH2 | Back Cushion |  | 2X |
| CSH3 | Small Back Cushion |  | 1X |
| HW1 | Allen Bolt: M6 x 0.5 x 20 mm |  | 16X |
| HW2 | Allen Bolt: M6 x 0.5 x 35 mm |  | 10X |
| HW3 | Flat Washer: M6 x 1 mm |  | 26X |
| HW4 | Allen Key |  | 1X |

Product Dimensions:

Corner Bench: 47.05"W x 27.56"D x 27.56"H



Weight Capacity : 176 lbs (Table)

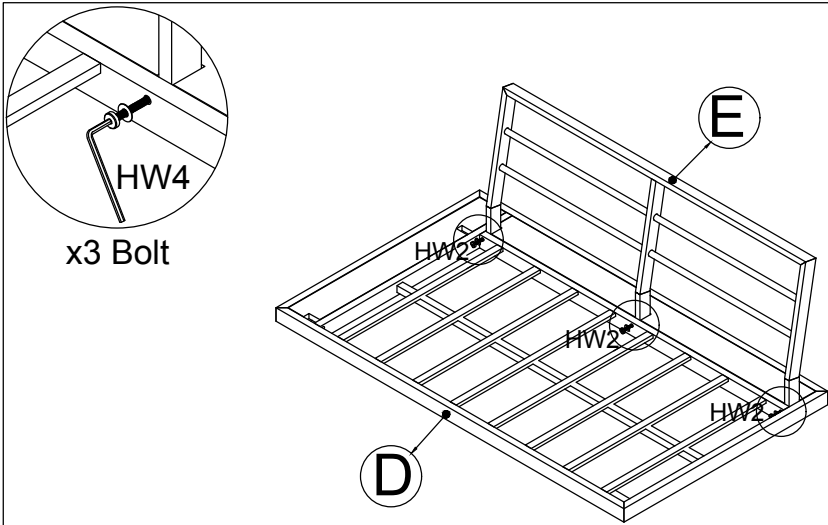
704 lbs (Bench)

Warning : Do not stand on Table/Bench

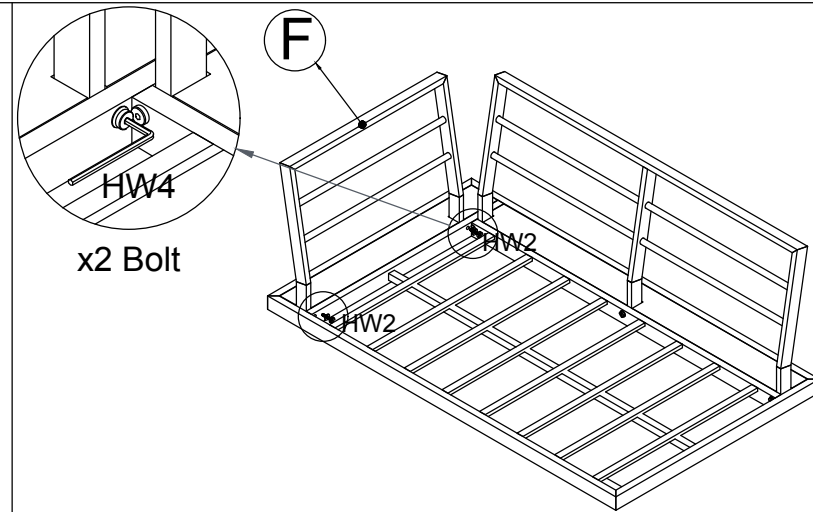
Warning : Do not over torque bolts

PREPARATION

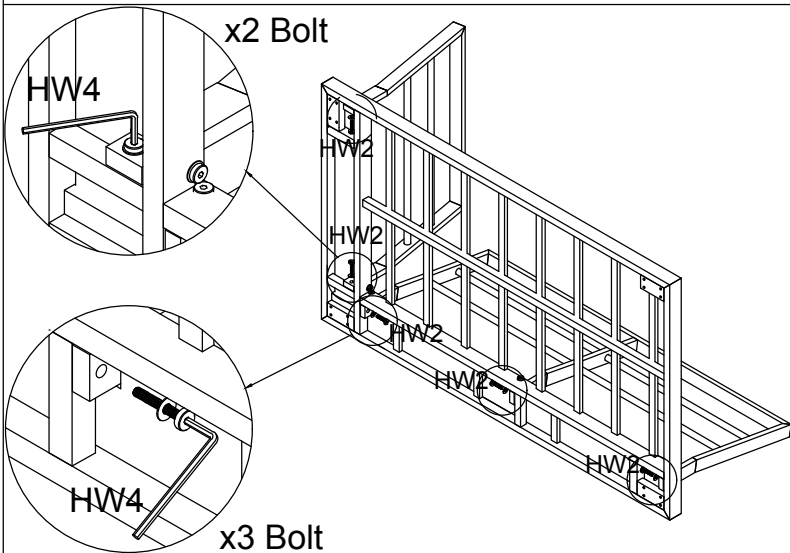
- * Before beginning assembly of product, make sure all parts are present. Compare parts with part contents list and hardware contents list.
- * If any part is missing or damaged, do not attempt to assemble the product.
- * Estimated Assembly Time: **40 minutes.**
- * Tools Required for Assembly (included): **Allen Key**
- * If you are having difficulty, our friendly Customer Care team is always here to help.



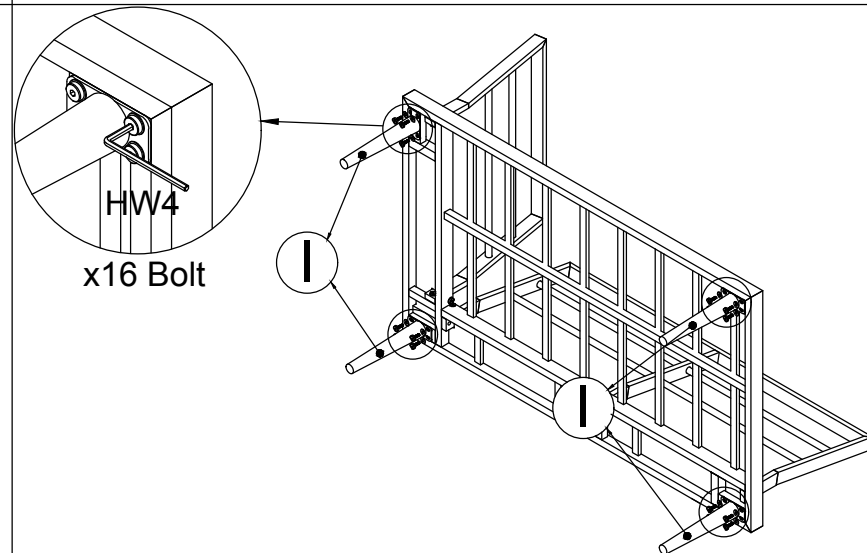
STEP 1: Connect Corner Bench Frame (D) and Back Bench Frame (E), tighten Bolt (HW2), Flat Washer (HW3) with Allen Key (HW4).



STEP 2: Connect the Part from STEP 1 and Back Corner Frame (F), tighten Bolt (HW2), Flat Washer (HW3) with Allen Key (HW4).



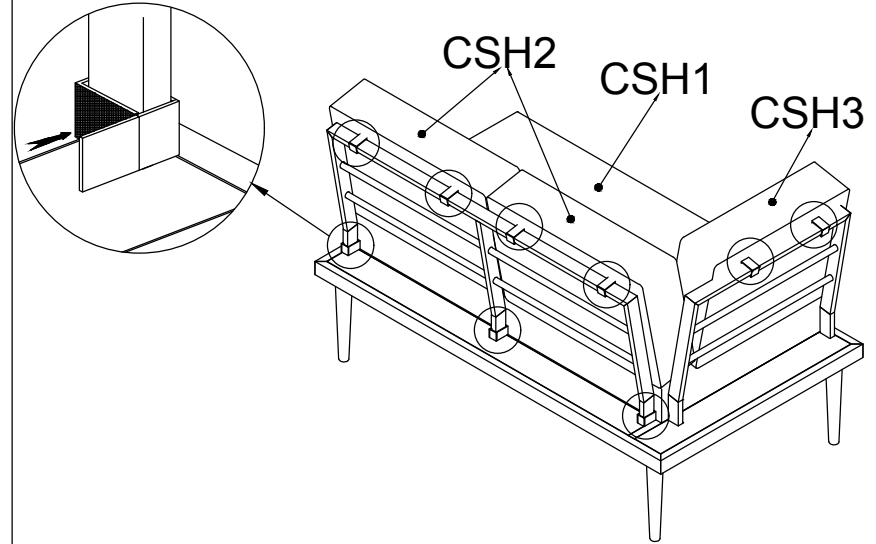
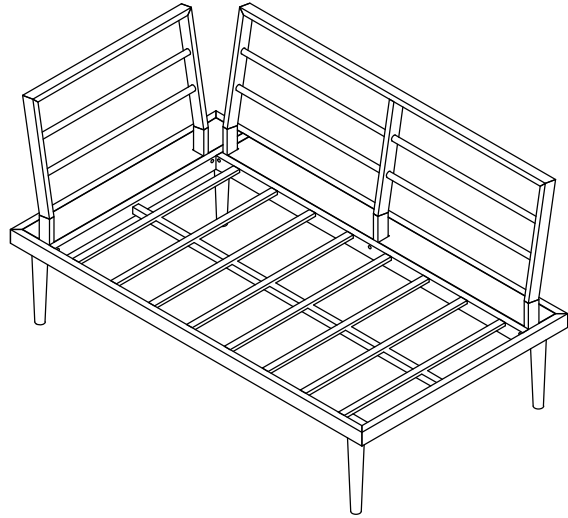
STEP 3: Connect The Part from STEP 2, tighten Bolt (HW2), Flat Washer (HW3) with Allen Key (HW4).



STEP 4: Connect The Part from STEP 3 and Leg Bench Frame (I), tighten Bolt (HW1), Flat Washer (HW3) with Allen Key (HW4).

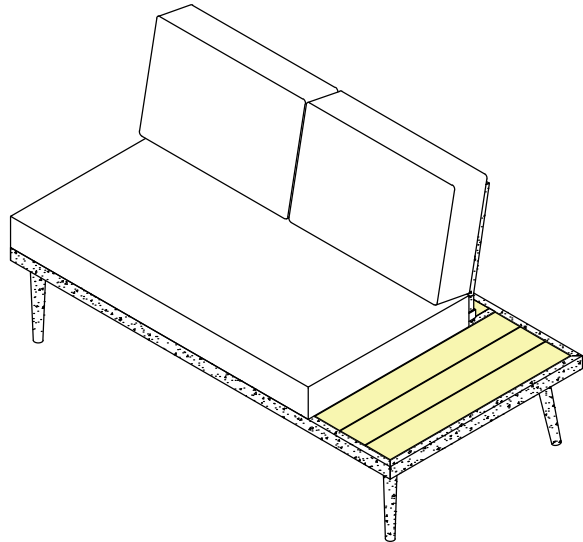
PREPARATION

- * Before beginning assembly of product, make sure all parts are present. Compare parts with part contents list and hardware contents list.
- * If any part is missing or damaged, do not attempt to assemble the product.
- * Estimated Assembly Time: **60 minutes.**
- * Tools Required for Assembly (included): **Allen Key**
- * If you are having difficulty, our friendly Customer Care team is always here to help.

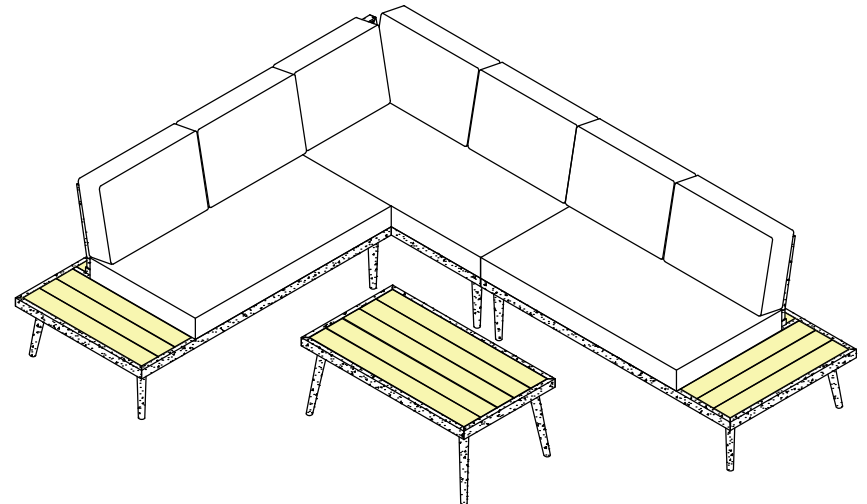


STEP 5: Put the Corner Bench upright and make sure all legs are level, then firmly tighten Bolts with Allen Key (HW4)

STEP 6: Put on Seat Bench Cushion (CSH1), Back Bench Cushion (CSH2), Small Back Cushion (CSH3) to Corner Bench. Stick string to Back Bench Sofa to finish Corner Bench.



FINISH CORNER BENCH



FINISH SOFA