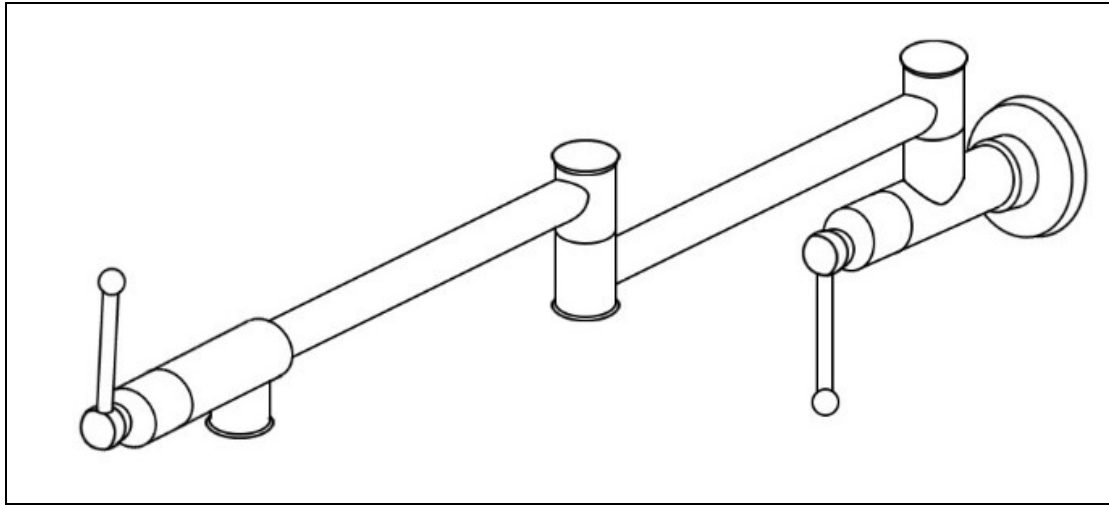


# WALL MOUNTED POT FILLER FAUCETS



## Tools You Will Need



Pliers    Drill    Cross Screwdriver    Adjustable wrench    Pipe tape    Allen key

### For easy installation of your faucet, you will need:

To read all the instructions completely before beginning.

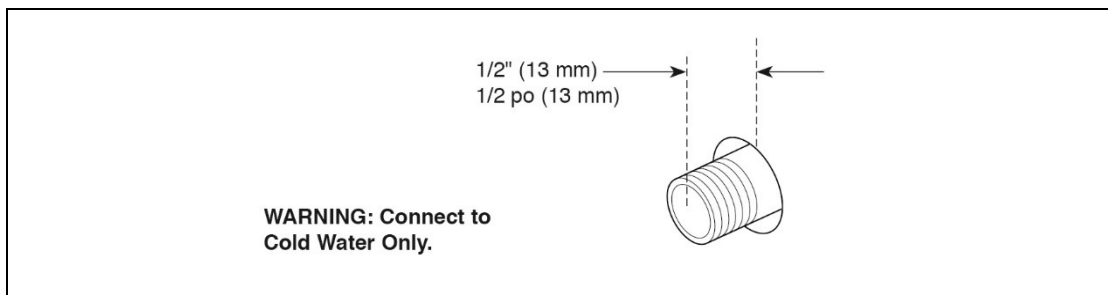
To read all warnings, care and maintenance information.

To purchase the correct water supply hook-up.

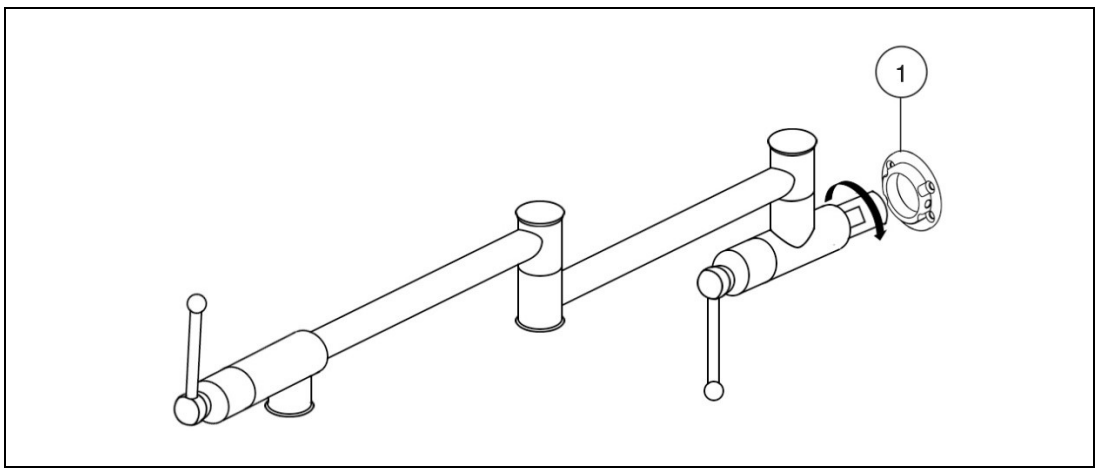
### **WARNING: Connect to Cold Water Only.**

**Wall Mount Models. Use of stringers is recommended for a secure mounting.**

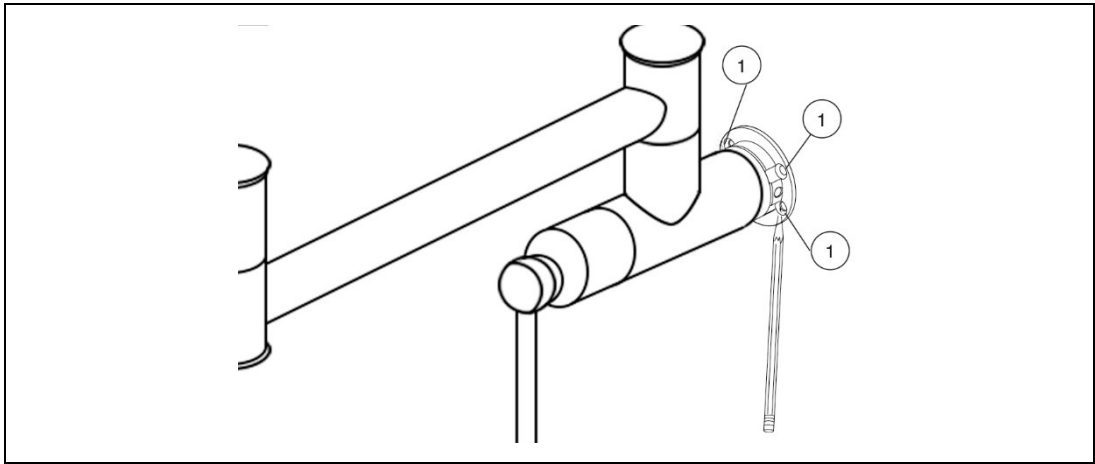
## Installation



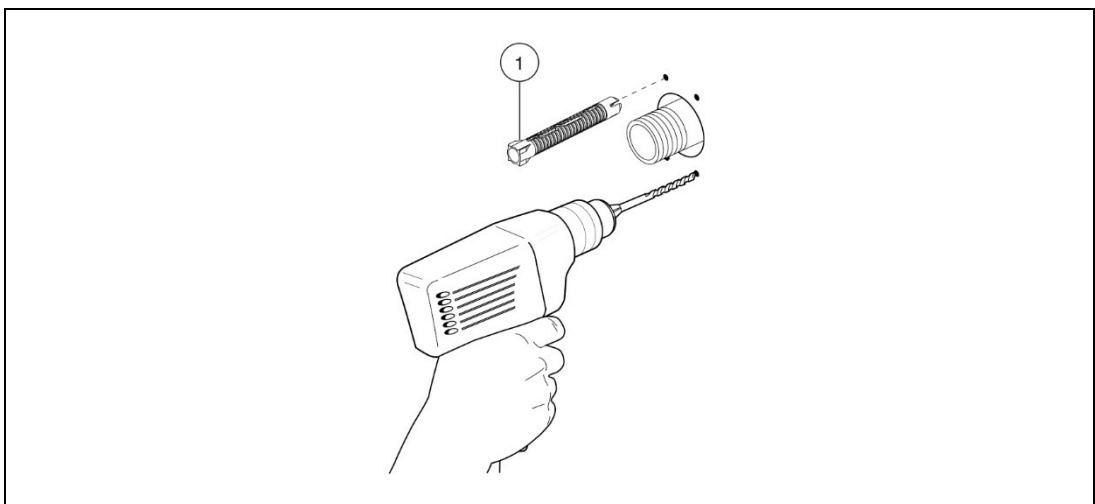
1. Connect to 1/2" IPS supply line. The pipe should extend .1/2" past the finished wall surface.



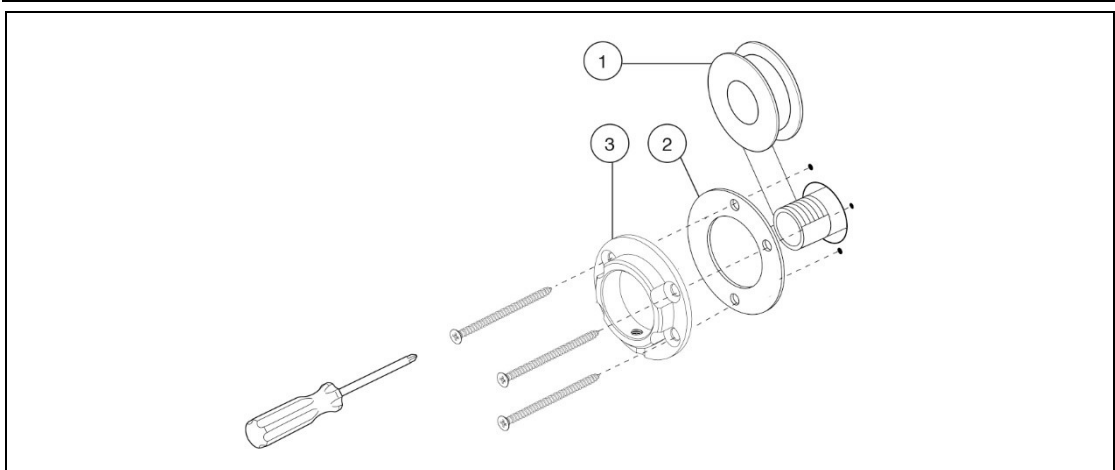
2. Place wall flange (1) onto the faucet as shown. Thread faucet onto pipe.



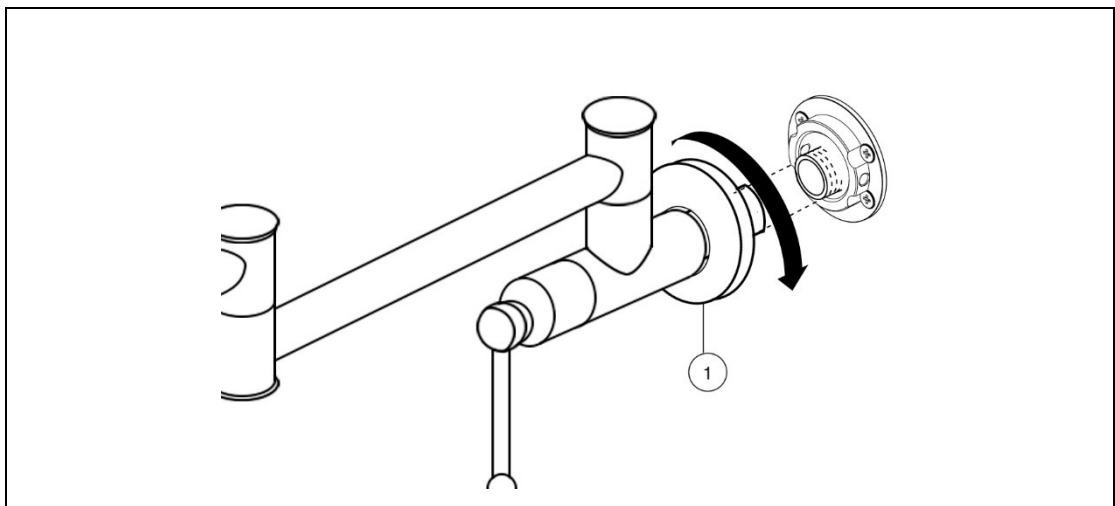
3. Mark the screw holes (1) in the flange. Unthread the faucet from the pipe.



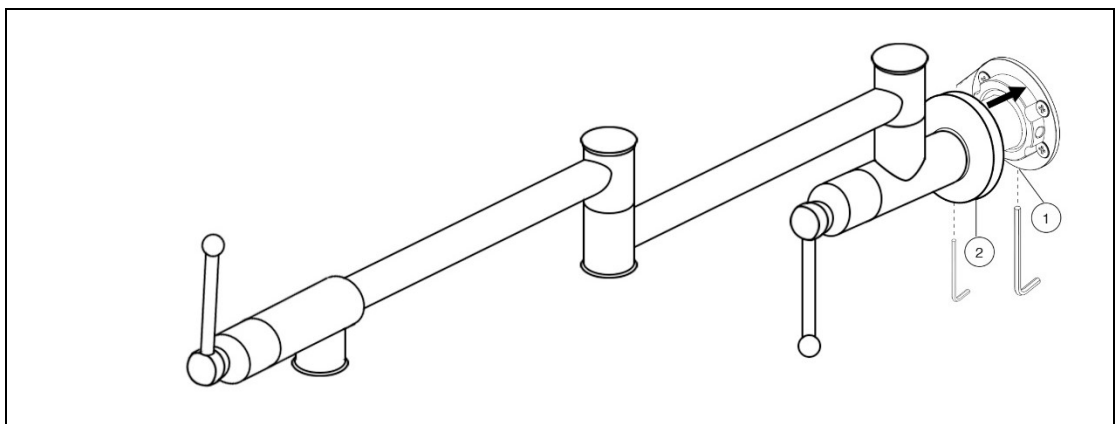
4. Drill  $3/32$ "(2.38mm) holes where marked. If using the provided anchors (1), drill  $1/2$ "(4cm) holes.



5. Wrap plumber tape (1) around pipe threads. Install the gasket (2) and the flange (3) using the 3 screws (and anchors if required) provided.



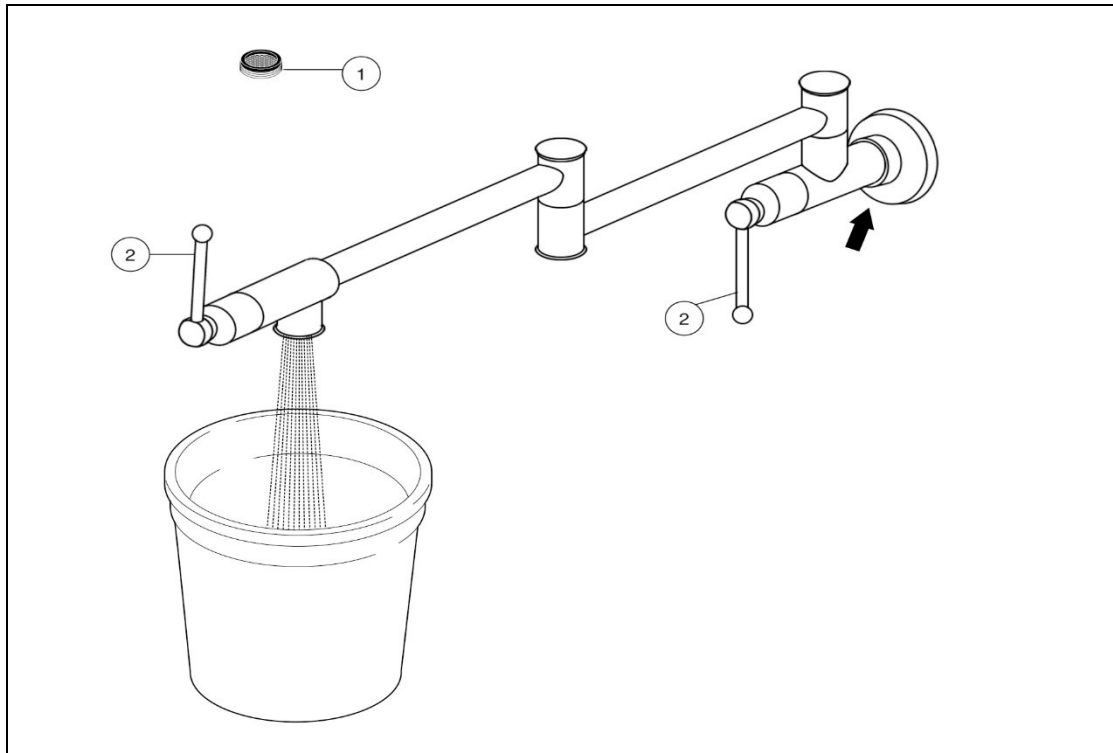
6. Place flange trim (1) onto the faucet as shown. Thread faucet onto pipe. Tighten securely, but do not overtighten.



7. Tighten set screw in flange (1). Slide flange trim (2) over the wall flange.

---

## Checking and Testing



### Flush Your System

Remove aerator (1) and turn faucet handles (2) to the full on position. Turn on cold water supplies and flush water lines for one minute.

**Important: This flushes away any debris that could cause damage to internal parts.** Check all connections at arrow for leaks. Re-tighten if necessary, but do not overtighten.

### Coin-open style aerator

With coin-open tools, easy for installation and cleaning at any time.

### Notice

Property damage and water leak possible. Leaks and property damage may occur from incorrect installation. Follow all installation instructions before making final connections and turning on the supplies. Shut off both handles when not in use or left unattended, Improper use or inadequate drainage below faucet may cause water damage.

## Cleaning and Care

Care should be given to the cleaning of this product. Although its finish is extremely durable, it can be damaged by harsh abrasives or polish. To clean, simply wipe gently with a damp cloth and blot dry with a soft towel.