

HEDSTROM
Come out to play



JUNIOR SATURN

FOR CHILDREN AGED 3 AND OVER

SAFETY GUIDELINES

Warnings

Only for domestic use. This product has not been designed for commercial use in play centers, nurseries etc.

Only suitable for outdoor use.

Not for children with a body weight over 45kg. Only one child per seat at any one time.

The total weight on the product at any one time must not exceed 180 kg.

Not for children under 3 years due to small component which may cause choking hazard.

This equipment must be assembled and checked by an adult. Adult supervision is required at all times.

Check all nuts, bolts and fittings for tightness and tighten if required.

Check all coverings for bolts and sharp edges and replace when required.

Check swing seats, chain, ropes and other means of attachments for evidence of deterioration. Replace when required in accordance with the manufacturers instructions.

Place the product on level surface at least 2 metres from any structure or obstruction such as a fence, garage, house, wall, overhanging branches, laundry line or electrical wires.

The items MUST be anchored firmly into the ground

DO NOT install the product over concrete, asphalt or any hard surface.

DO NOT orientate the product directly towards the sun

Leave all fittings finger tight until assembly is complete, for ease of construction. Then tighten firmly.

Children should not wear cycle helmets whilst on this equipment

Do not allow children to stand on the swing or glider seats

Do not allow the children to get off the swings or glider while they are still moving

Do not twist swing ropes or wrap them over the top bar

Do not allow loose, hooded or baggy clothes to be worn since children can get trapped and may be unable to free themselves.

Do not allow children to climb on parts of this equipment intended for this purpose

Do not allow children to wander into the play area when the equipment is in use

Do not allow children to slide head first down the chute or walk up the chute

Glidgers and swings must not exceed an angle of 60 degrees from the ground

Regularly check the item for wear and damage, removing the item from use when necessary until replacement parts are fitted.

Failure to assemble and maintain this item as per instruction may cause injury to the user.

The minimum clearance between the swing seat and ground level should be 350mm.

Please contact our customer services department if you have any problems.

Inspect all parts of this product every 6 months following purchase. If any parts look worn or you find any problems,

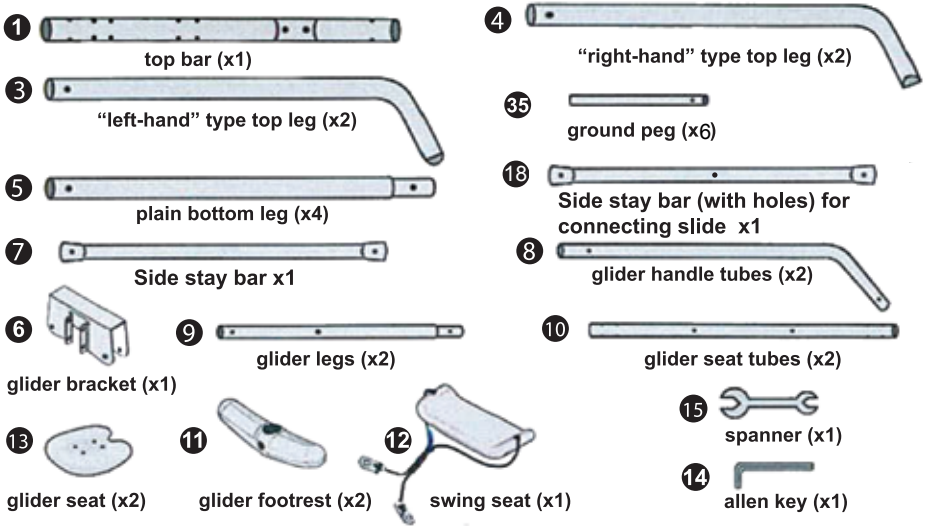
please contact us for replacements and do not use product until problem has been corrected. Hedstrom recommends replacing the plastic swing rope clamps every 2 years even if there is no sign of deterioration.

Do not modify this item.

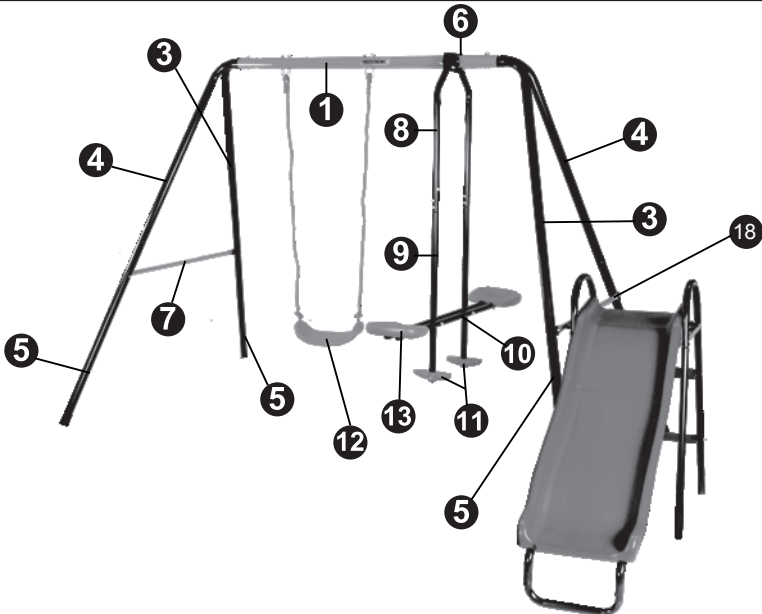
Please keep the instructions in a safe place for future reference

Conforms to EN71

SWING PARTS LIST



IMPORTANT: Make sure you read the safety notice on the front page and always supervise children while they are playing on the equipment. Once assembly is completed carefully check equipment. In the unlikely event that you do find any problems, please contact us. Do not allow children to use this product until the problem has been corrected.



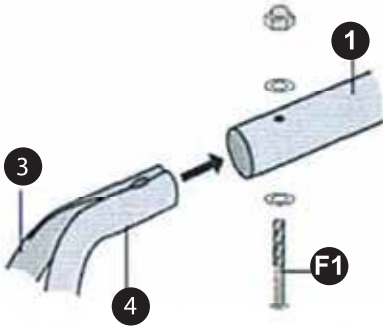
STEP 1

Frame & Swing Assembly

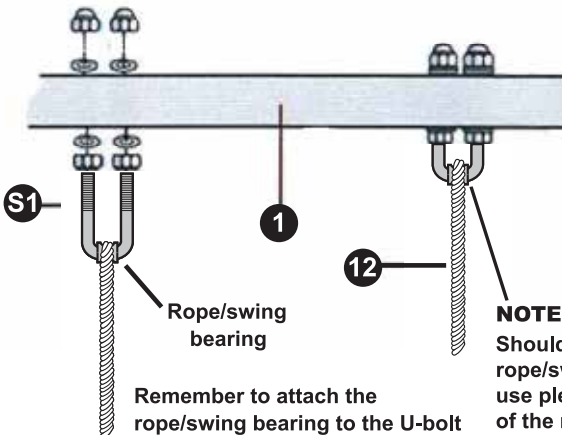
F1  M8 BOLT 53mm (x2)

14  ALLEN KEY

13  SPANNER



S1  M8 U BOLT (x2)



NOTE:

Should the rope come off the rope/swing bearing during use please replace back on top of the rope/swing bearing.

Remember to attach the rope/swing bearing to the U-bolt

F2

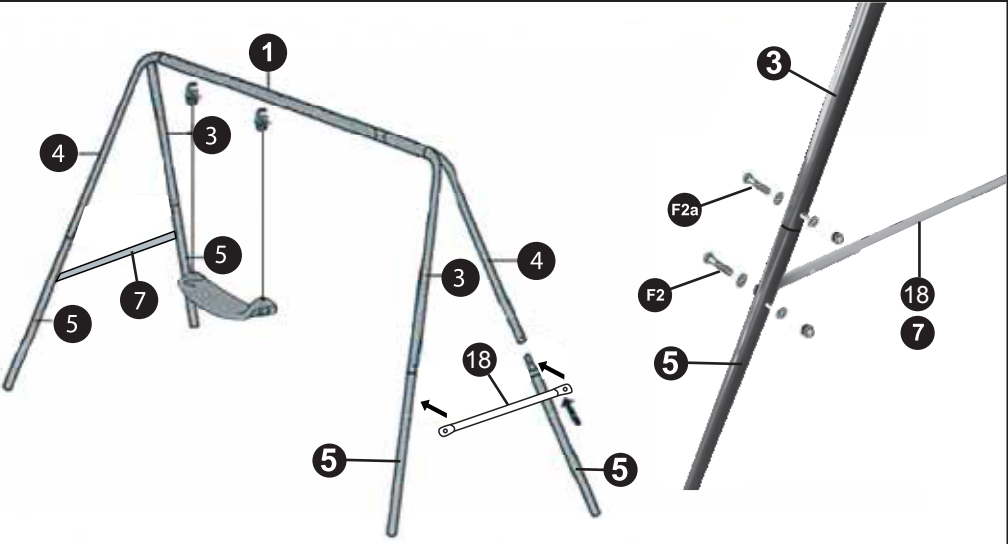


M6 BOLT 47mm (x4)

F2a



M6 BOLT 42mm (x4)



STEP 2
Glider Assembly

G1



M6 BOLT 47mm (x2)

G8

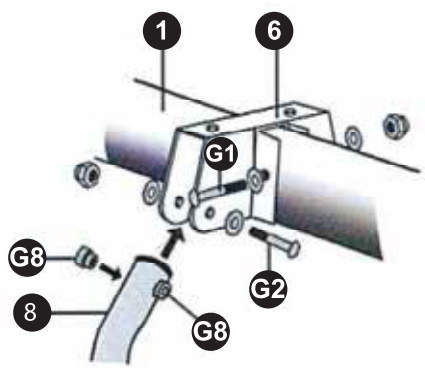
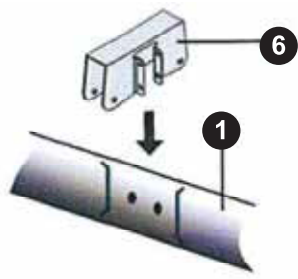


G2



M8 BOLT 43mm (x2)

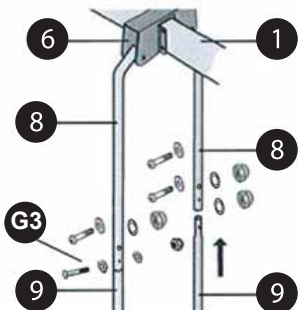
Square Plastic Spacer (x4)



G3



M6 BOLT 35mm (x4)



G6



M6 BOLT 38mm (x8)

G4



M8 BOLT 83mm (x2)

G5

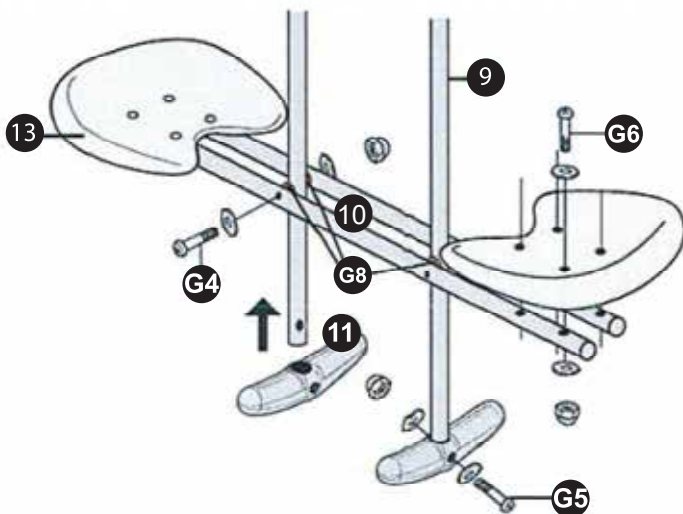


M6 BOLT 42mm (x2)

G8














Square Plastic Spacer (x4)



• Assemble seats (13) and attach to seat tubes (10) before tightening bolts (G4)

Slide Parts List

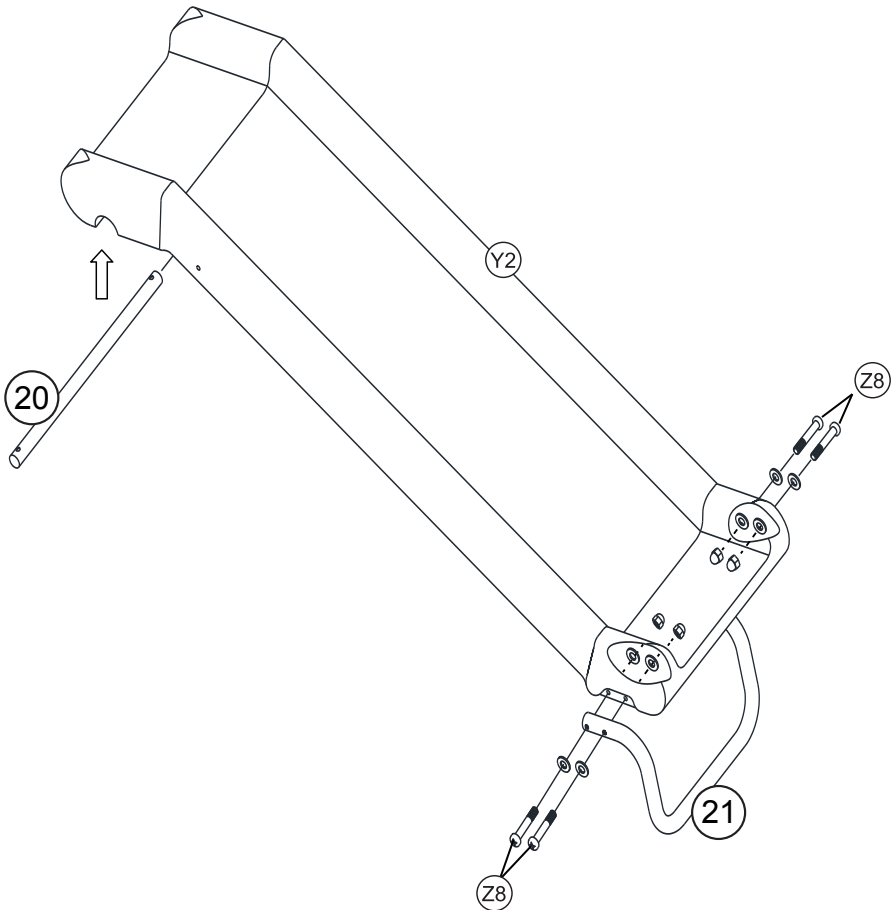
Part No.	Description	Qty
17	 Slide Support	2
19	 Slide Leg Tube	2
20	 Slide Top Support Bar	1
21	 Slide Front Support	1
22	 Slide Ladder Steps	2
Y2	 Slide	1

Part No.	Description	Qty
Z3	 Bolt M6x52mm	2
Z2	 Bolt M6x113mm	2
Z7	 Bolt M6x47mm	1
Z8	 Bolt M6x60mm	4
Z1	 Bolt M6x35mm	4

Assembly Instructions (cont)

Step 3

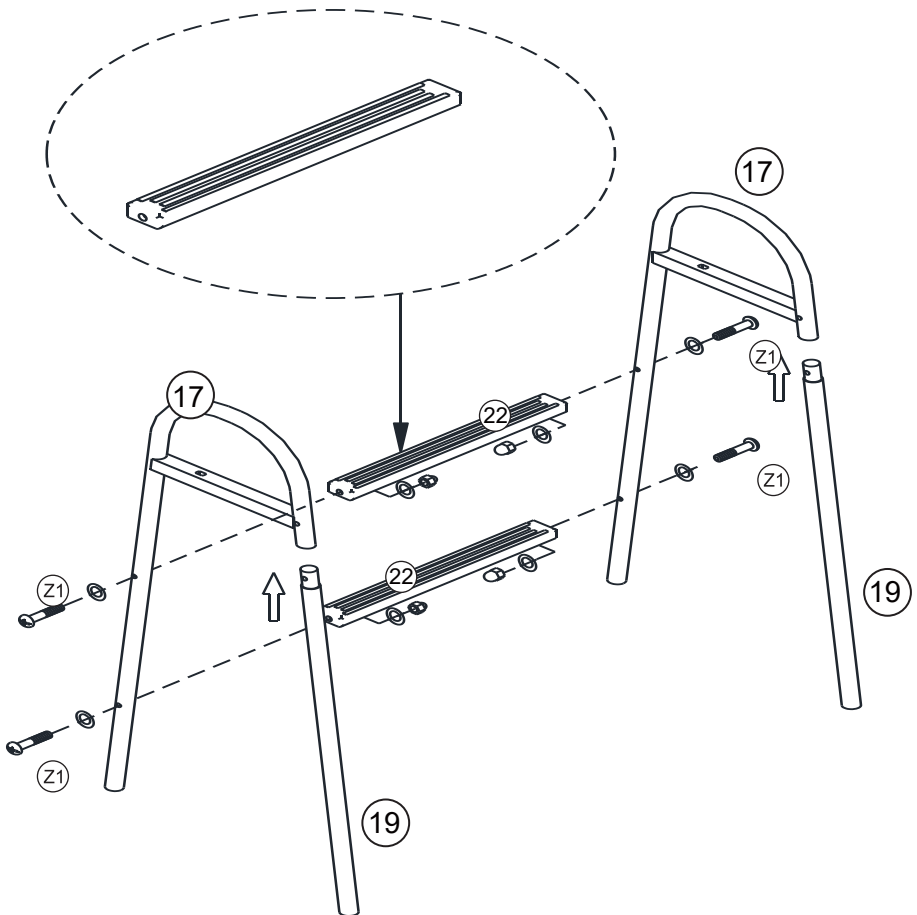
Push SlideTop Support Bar (20) into receiving location at the top of the Slide (Y2), centering so it's leveled on both sides
Attach SlideFront Support (21) at the base of Slide (Y2). Secure using M6x60 mm Bolts (Z8).



Assembly Instructions (cont)

Step 4

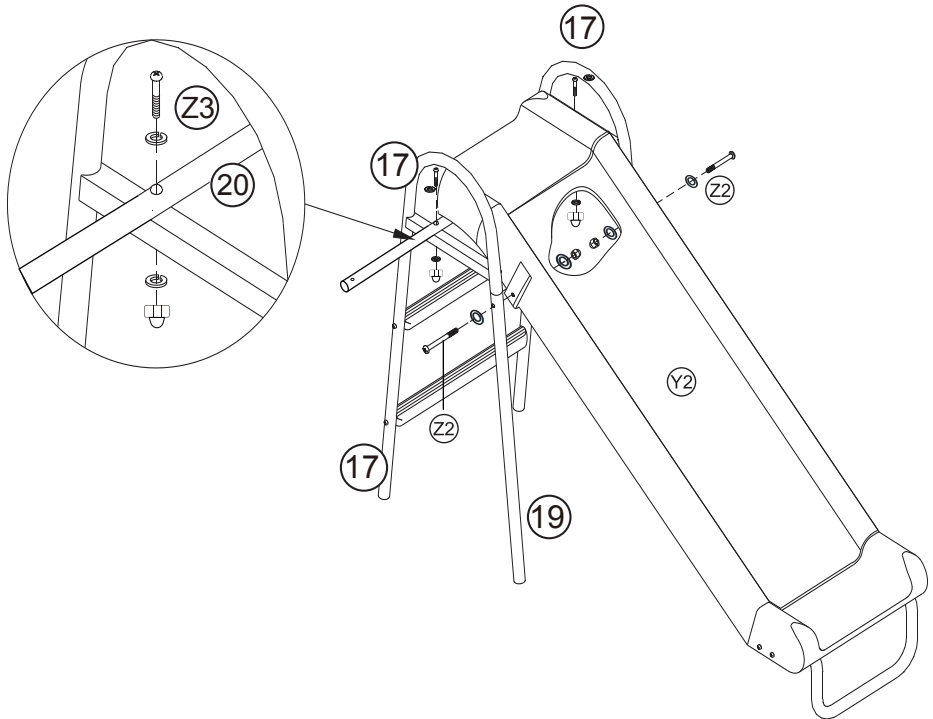
Fix Slide Support (17) to Slide Ladder Steps (22) using M 6x35mm Bolts (Z1). Insert Slide Leg Tubes (19) into Slide Supports (17).



Assembly Instructions (cont)

Step 5

Connect assembled metal frame to the assembled Slide (Y2).
Secure using M6x52 mm Bolts (Z3), M6x113mm Bolts (Z2),

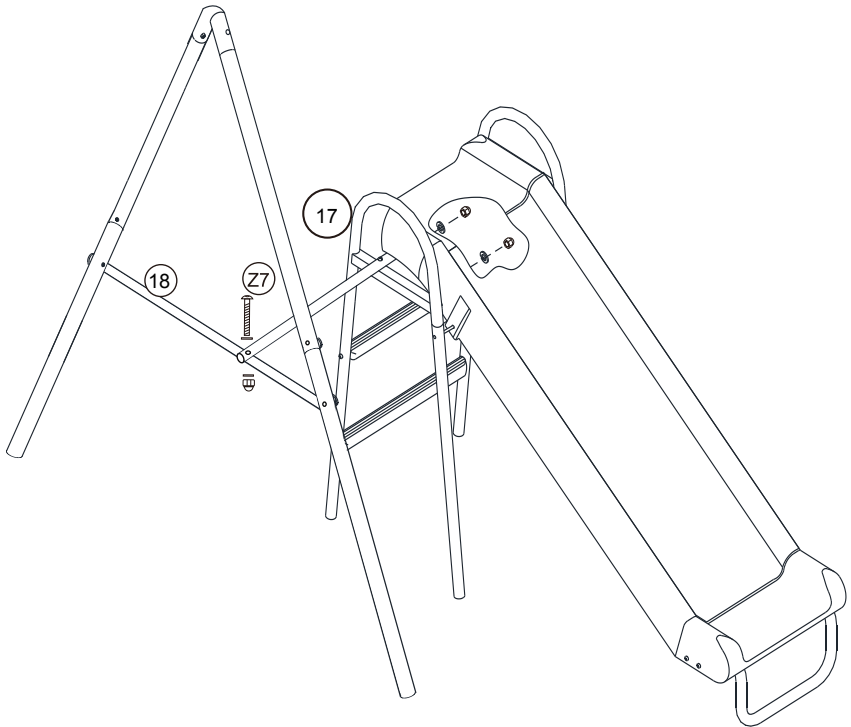


Assembly Instructions (cont)

Step 6

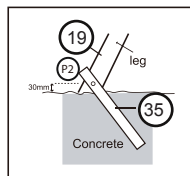
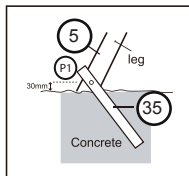
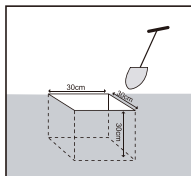
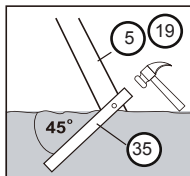
Connect the assembled slide to the Swing Side Bar (18).

Secure using M6x47mm Bolt (Z7), as shown.



Anchoring the Swing set to the ground.

IMPORTANT: For safety reasons this gym **MUST** be anchored into the ground. We recommend that it is concreted in. If you are uncertain about this procedure, telephone our helpline number.



MV Sports & Leisure Ltd.
35 Tameside Drive
Castle Bromwich
Birmingham B35 7AG
United Kingdom
email: info@mvsports.com
www.mvsports.com

CUSTOMER SERVICES

MV has taken great care to ensure that this item has reached you in good condition. Should you have a query, please contact customer.services@mvsports.com where your query will be dealt with promptly. Alternatively, you can call on 0121 748 8017.



This mark denotes compliance with the standards laid down by the E.C. (European Community)

It is in your best interest to keep a note of our name and address for future reference. If you have any complaints or find this product to be faulty, in order to avoid any delay, please contact the distributor at the address shown below.

EU Authorised Representative
Vulcan Consulting,
38/39 Fitzwilliam Square West
Dublin 2, D02 NX53 Ireland