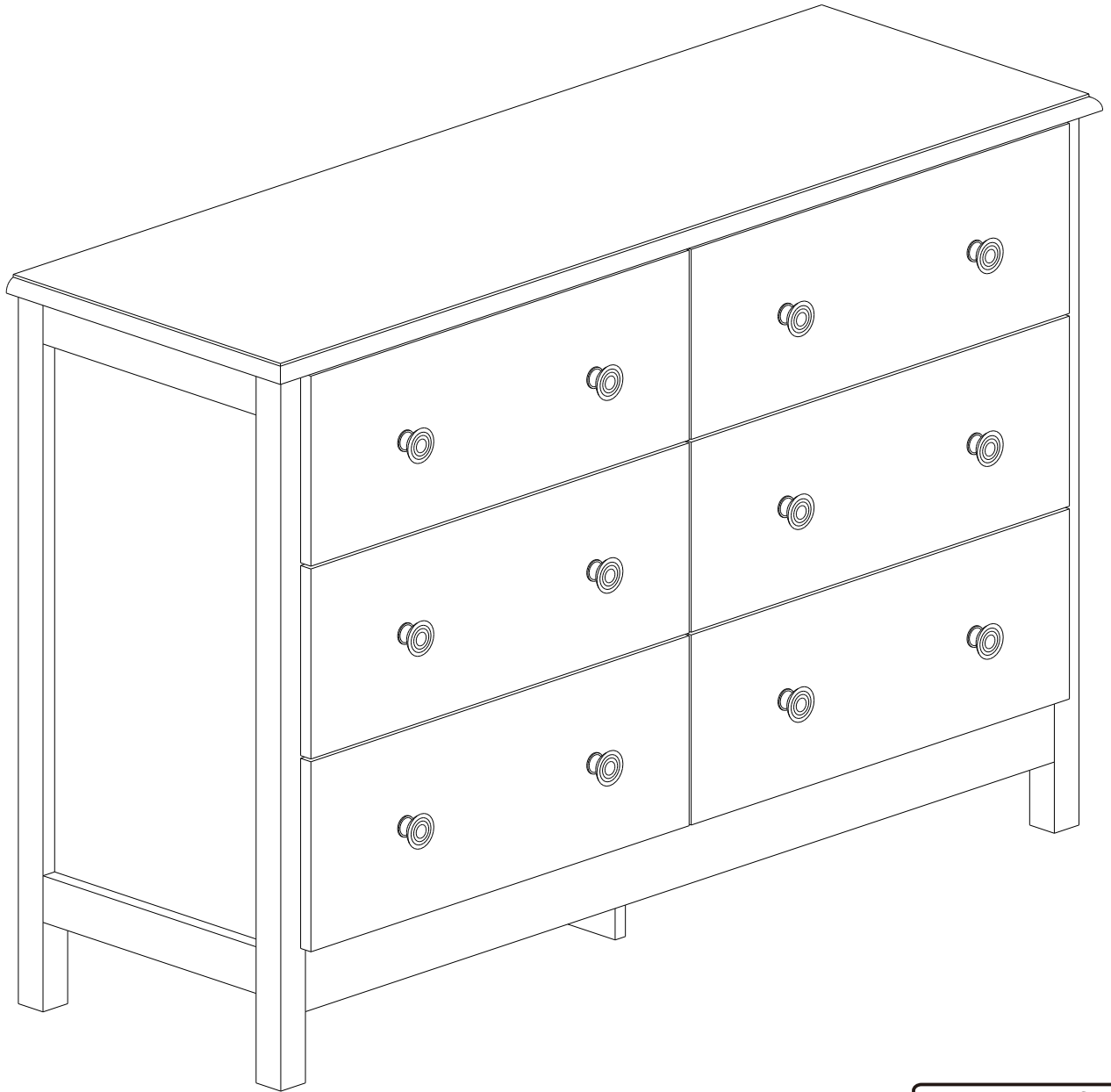


# ASSEMBLY INSTRUCTIONS



**Tools Recommended**

# IMPORTANT NOTICE

- This product contains small components, please ensure that they are kept away from small children.
- THIS INSTRUCTIONS CONTAINS IMPORTANT SAFETY INFORMATION. PLEASE READ BEFORE ASSEMBLY AND KEEP FOR FUTURE REFERENCE.
- Read each step carefully. It is very important that each step of instruction is performed in the correct order. If these steps are not followed in sequence, assembly difficulties will occur.
- Make sure all parts are included. Most parts are labelled or stamped on the raw edge.
- Work in spacious area, preferably on a carpet, near the place the unit will be used.
- Do not use power tools to assemble your furniture. Power tools may strip or damage the parts.
- Move your new furniture carefully, with two people lift and carry the unit to it's new location.
- Never push, drag or pull your furniture (especially on carpet)

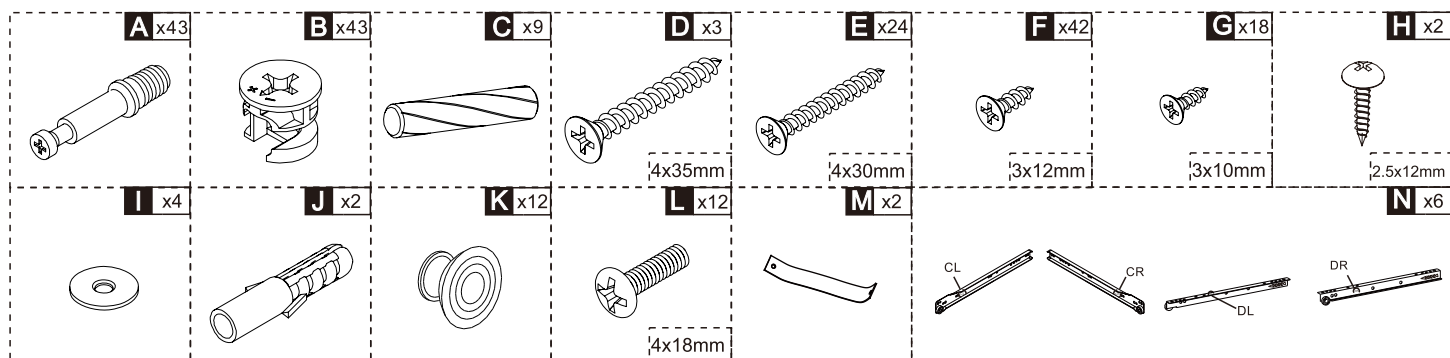
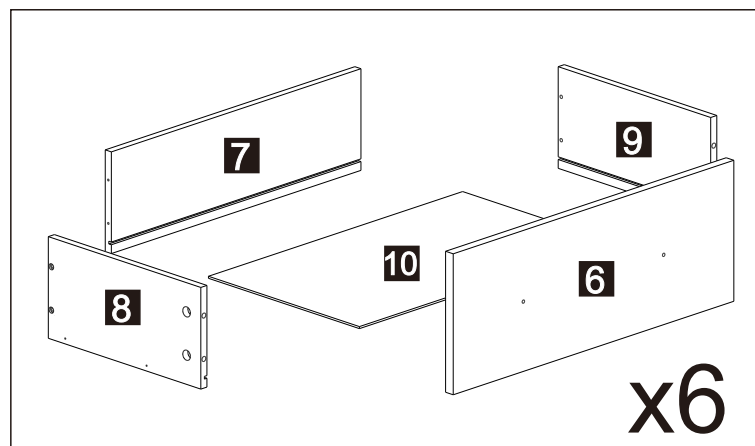
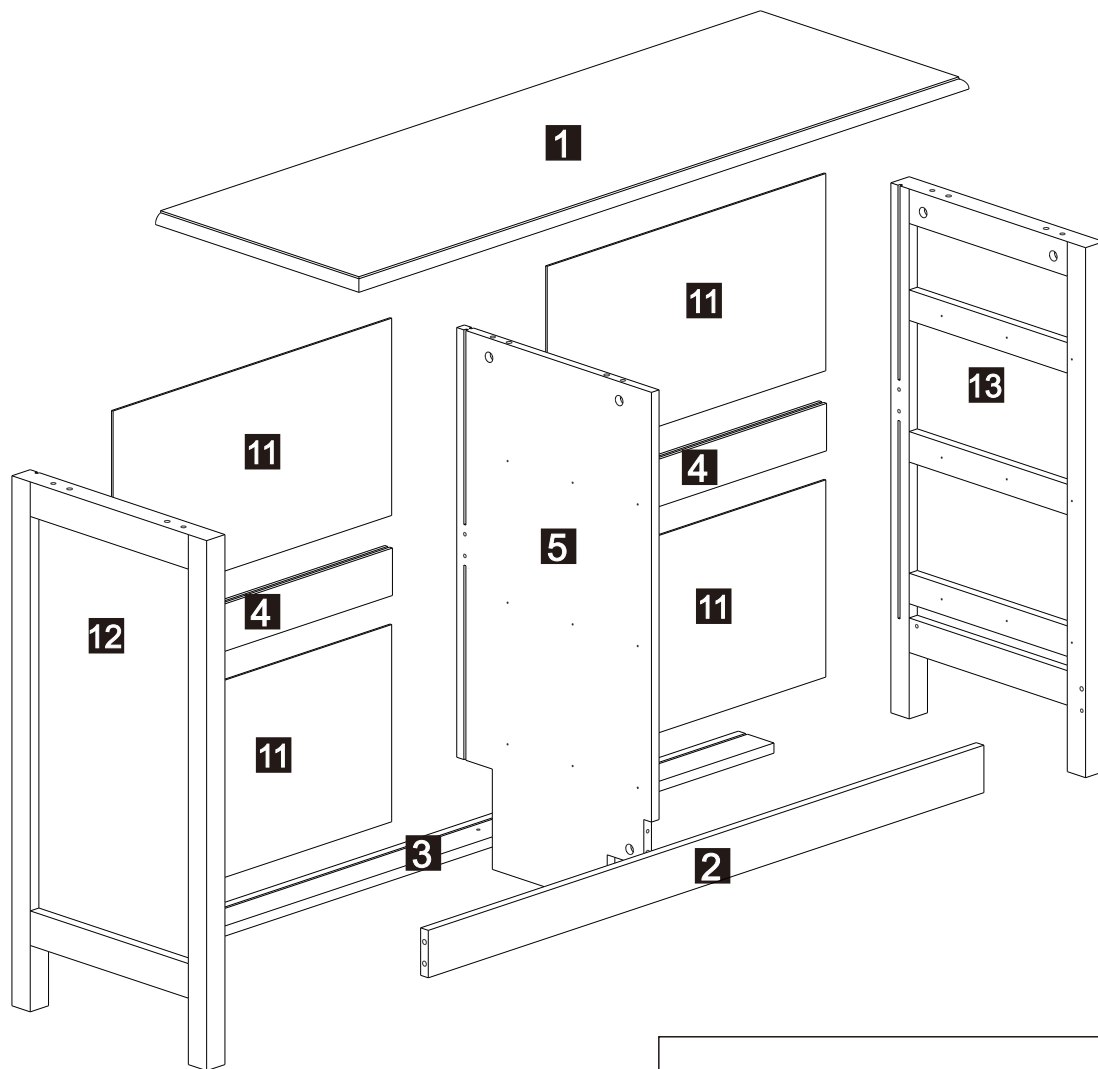


## PLEASE DO NOT RETURN PRODUCT TO US IMMEDIATELY

If a part is missing or damaged, email our customer service. We will gladly ship your replacement parts FREE of charge.

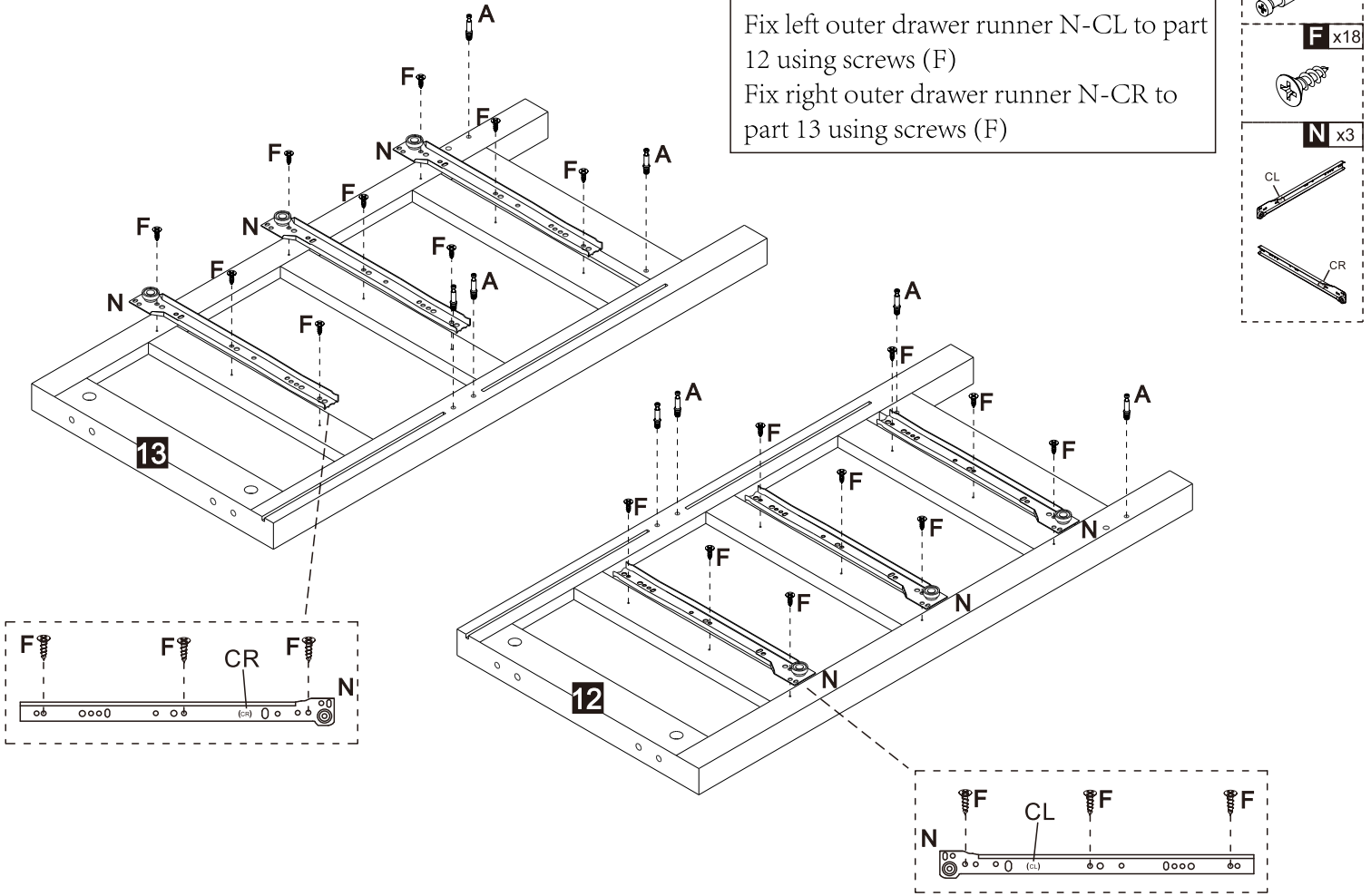
For Prompt, reliable service, please have your assemble instruction ready.

 <b>WARNING</b>	
	<p><b>Children have died from furniture tipover. To reduce the risk of furniture tipover:</b></p> <ul style="list-style-type: none"><li>• ALWAYS install tipover restraint provided.</li><li>• NEVER put a TV on this product.</li><li>• NEVER allow children to stand, climb or hang on drawers, doors, or shelves.</li><li>• NEVER open more than one drawer at a time.</li><li>• Place heaviest items in the lowest drawers.</li></ul>
	



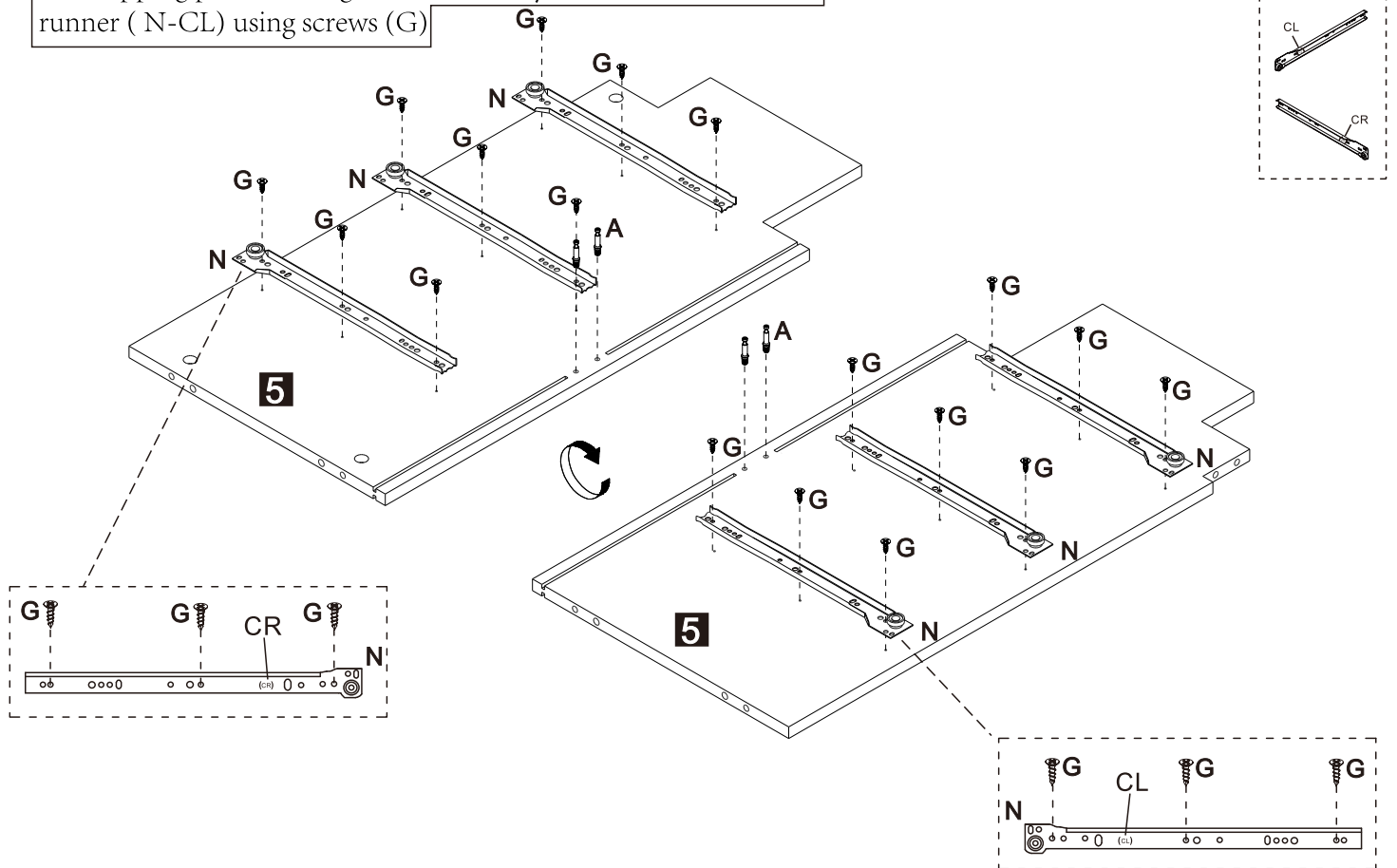
1

Insert screws (A) into part 12 and 13 as shown.  
 Fix left outer drawer runner N-CL to part 12 using screws (F)  
 Fix right outer drawer runner N-CR to part 13 using screws (F)



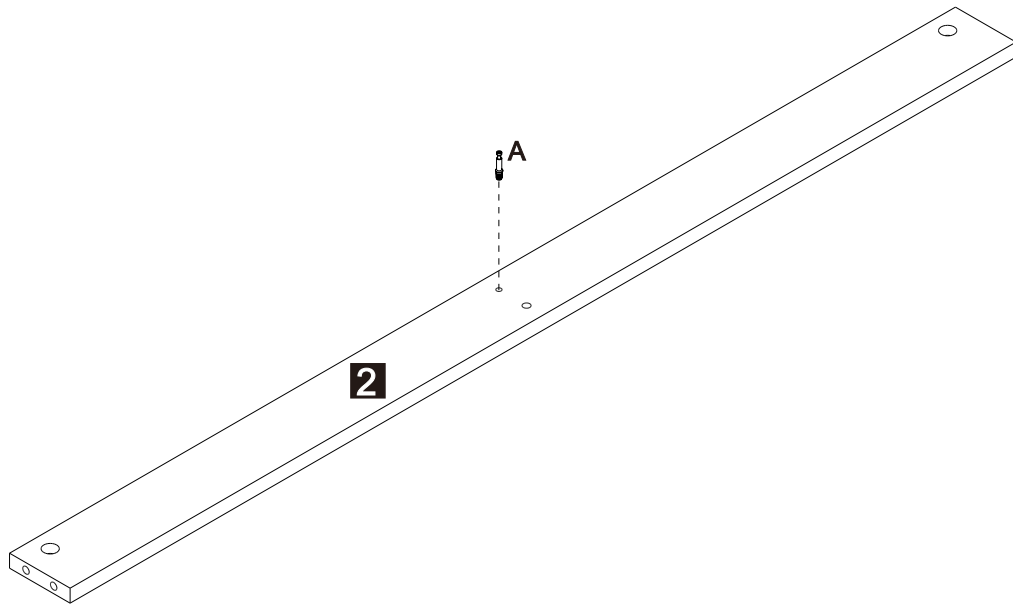
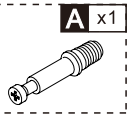
2

Insert screws (A) into part 5 on both sides as shown.  
 Fix right outer drawer runner (N-CR) to part 5 using screws (G), then flipping part 5 180 degrees horizontally to fix left outer drawer runner (N-CL) using screws (G)



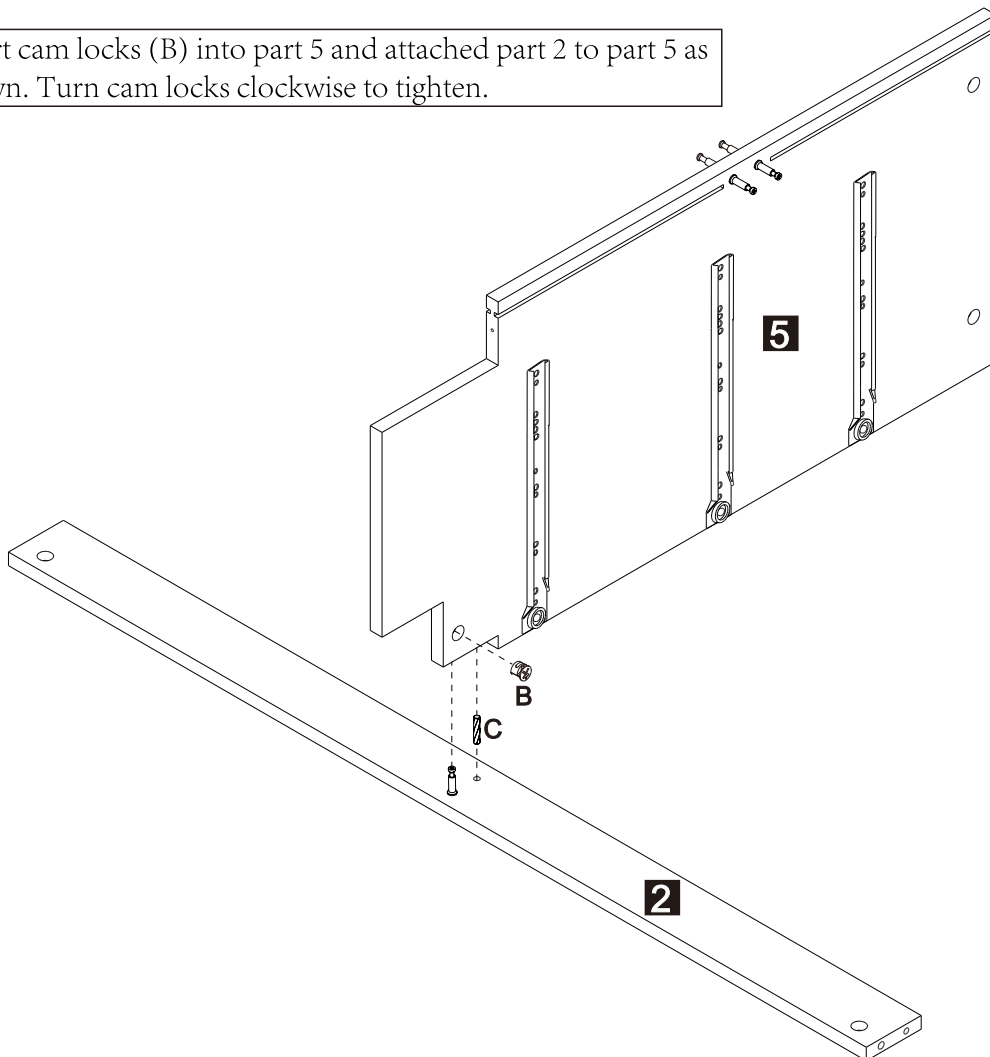
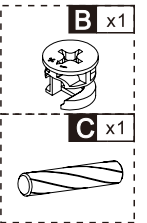
3

Insert screw (A) into part 2 as shown.

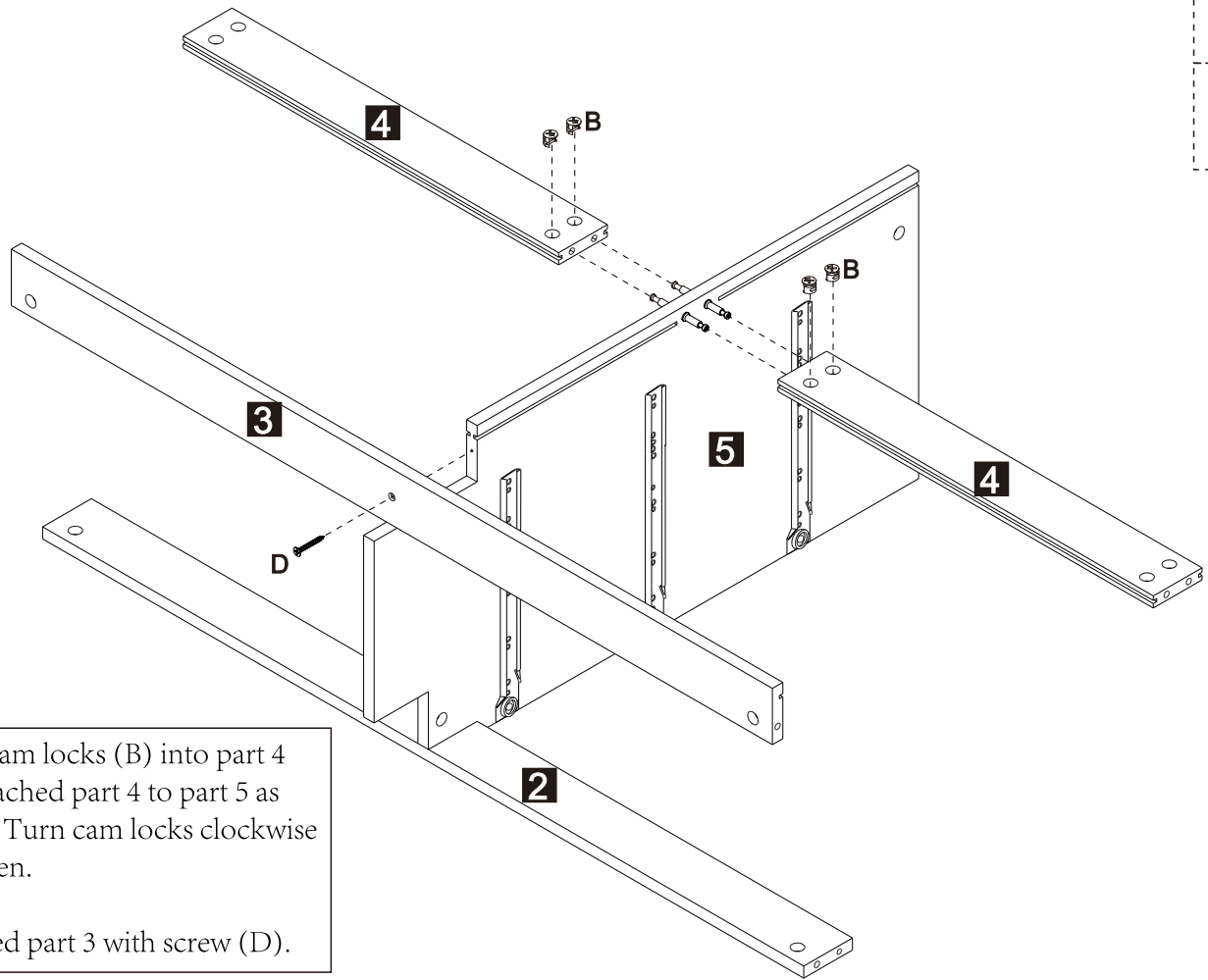


4

Insert cam locks (B) into part 5 and attached part 2 to part 5 as shown. Turn cam locks clockwise to tighten.



5

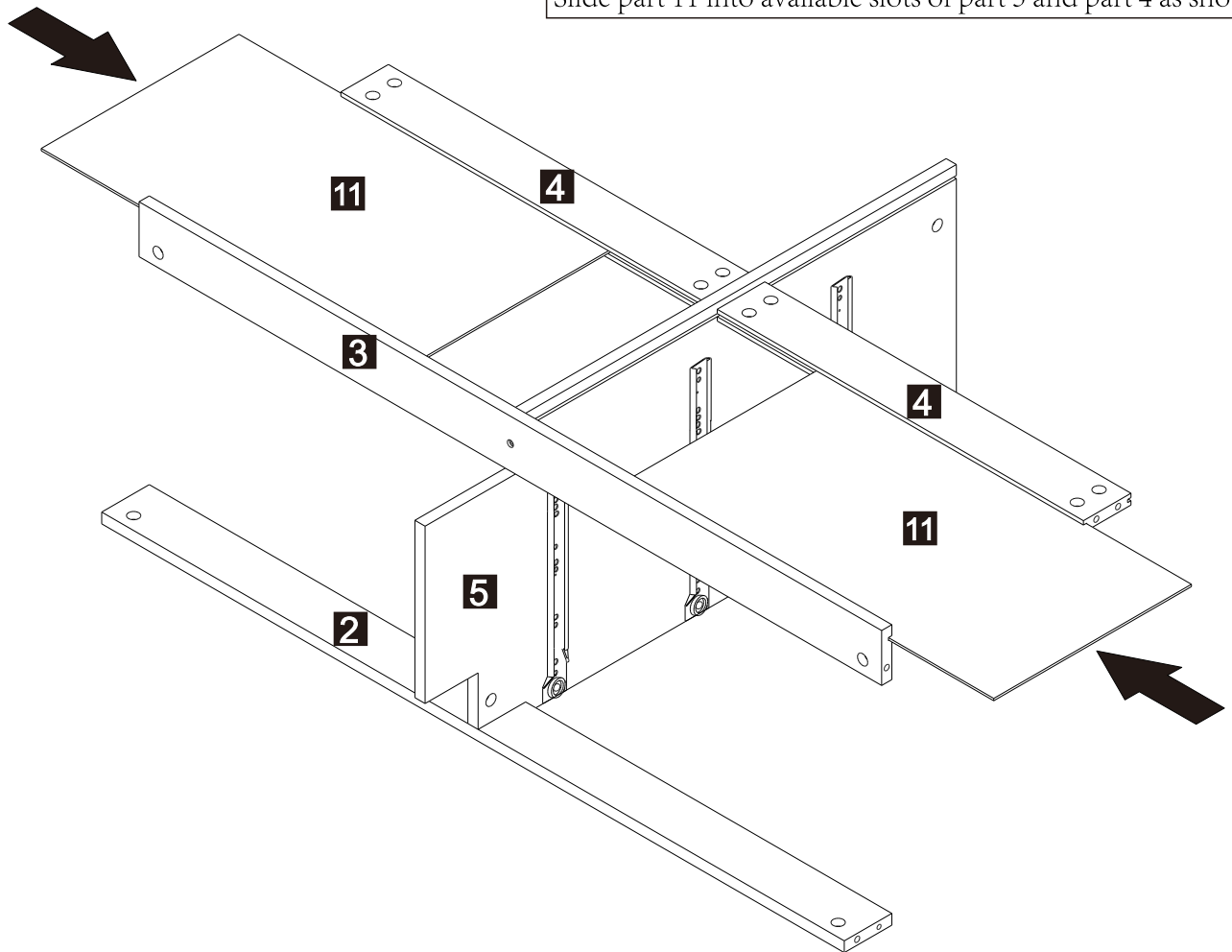


Insert cam locks (B) into part 4 and attached part 4 to part 5 as shown. Turn cam locks clockwise to tighten.

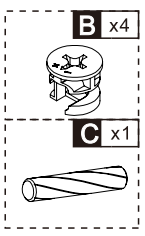
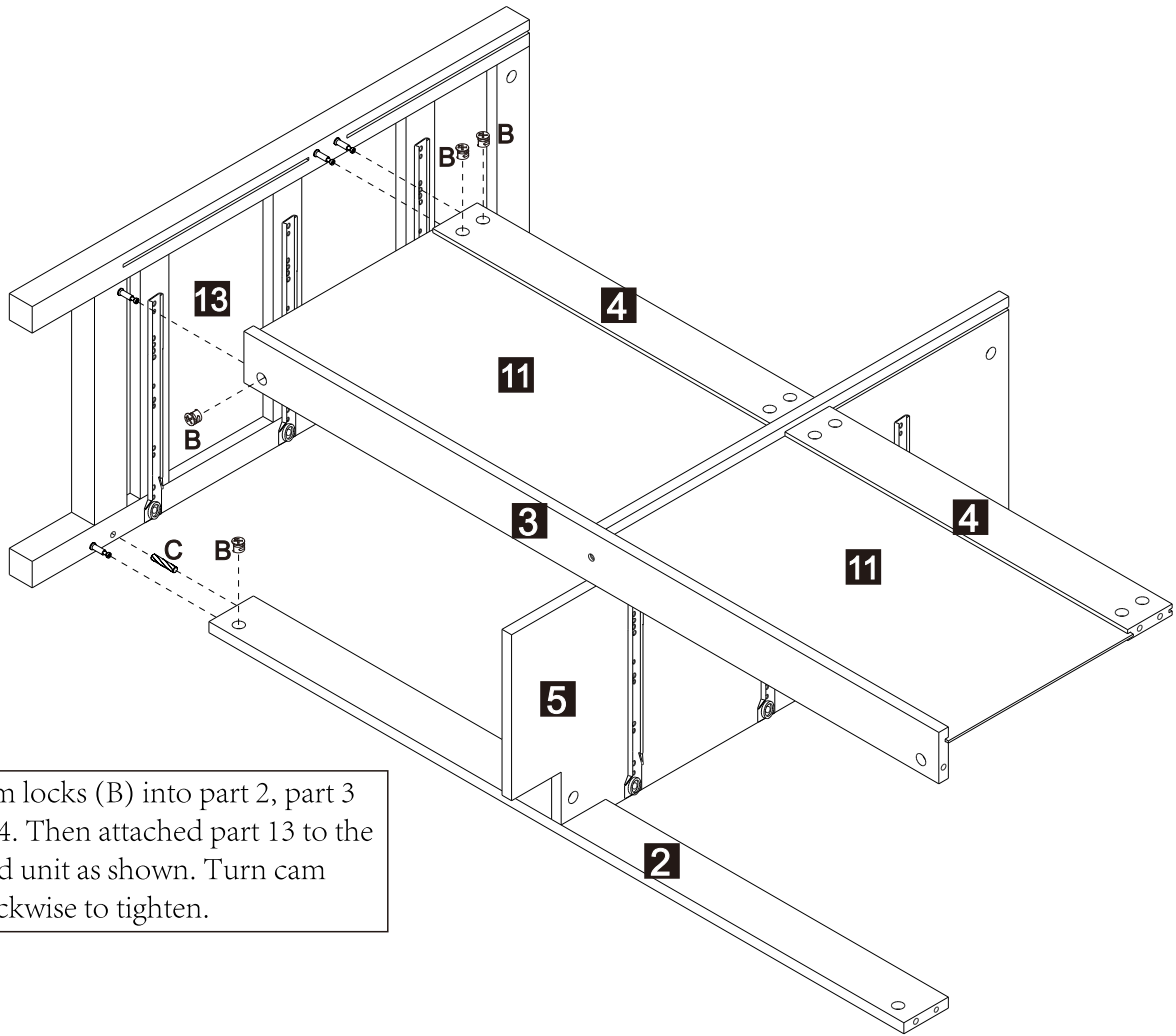
Attached part 3 with screw (D).

6

Slide part 11 into available slots of part 3 and part 4 as shown.

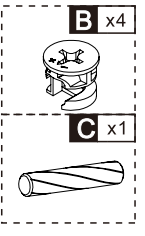
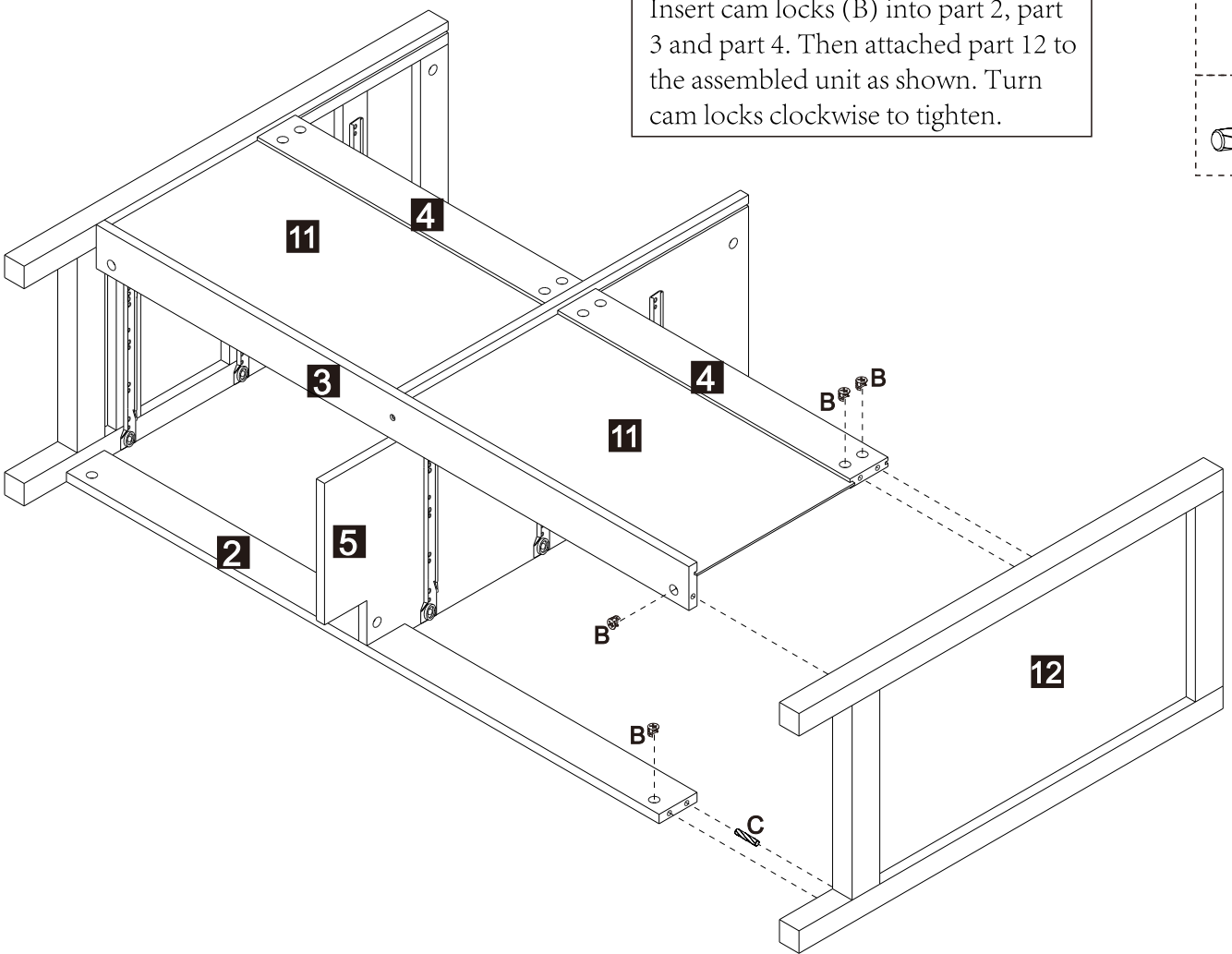


7



Insert cam locks (B) into part 2, part 3 and part 4. Then attached part 13 to the assembled unit as shown. Turn cam locks clockwise to tighten.

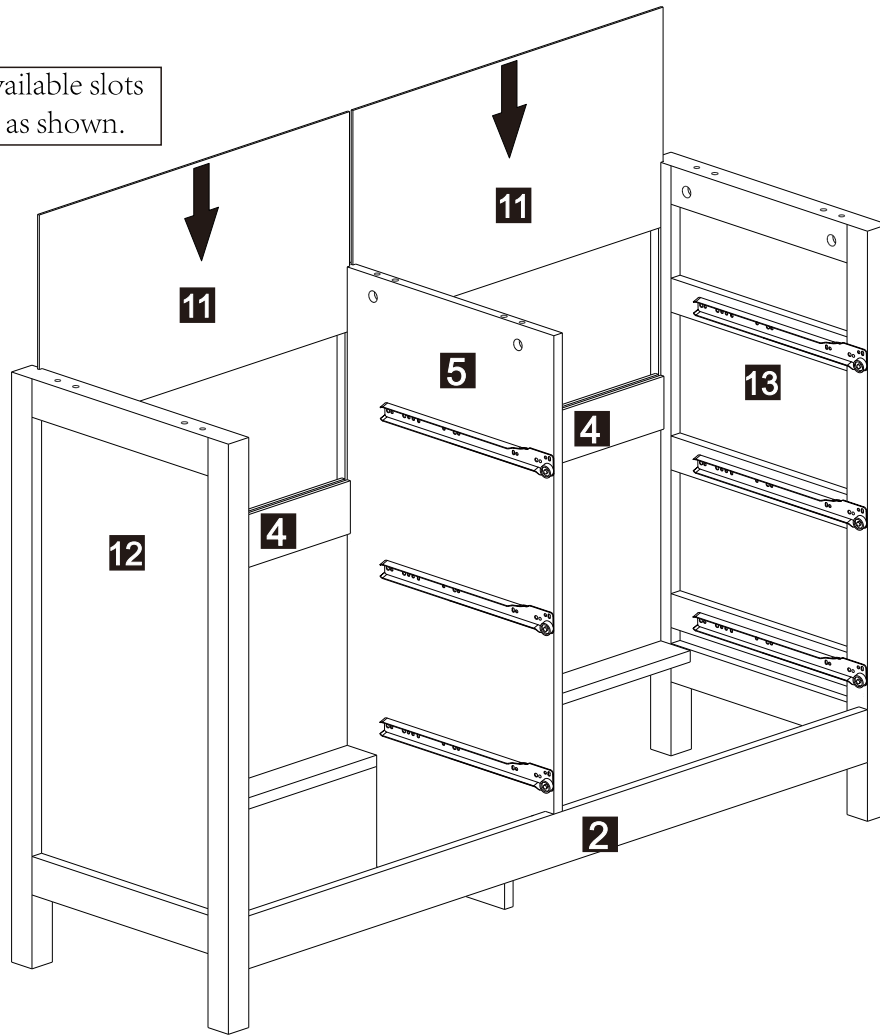
8



Insert cam locks (B) into part 2, part 3 and part 4. Then attached part 12 to the assembled unit as shown. Turn cam locks clockwise to tighten.

9

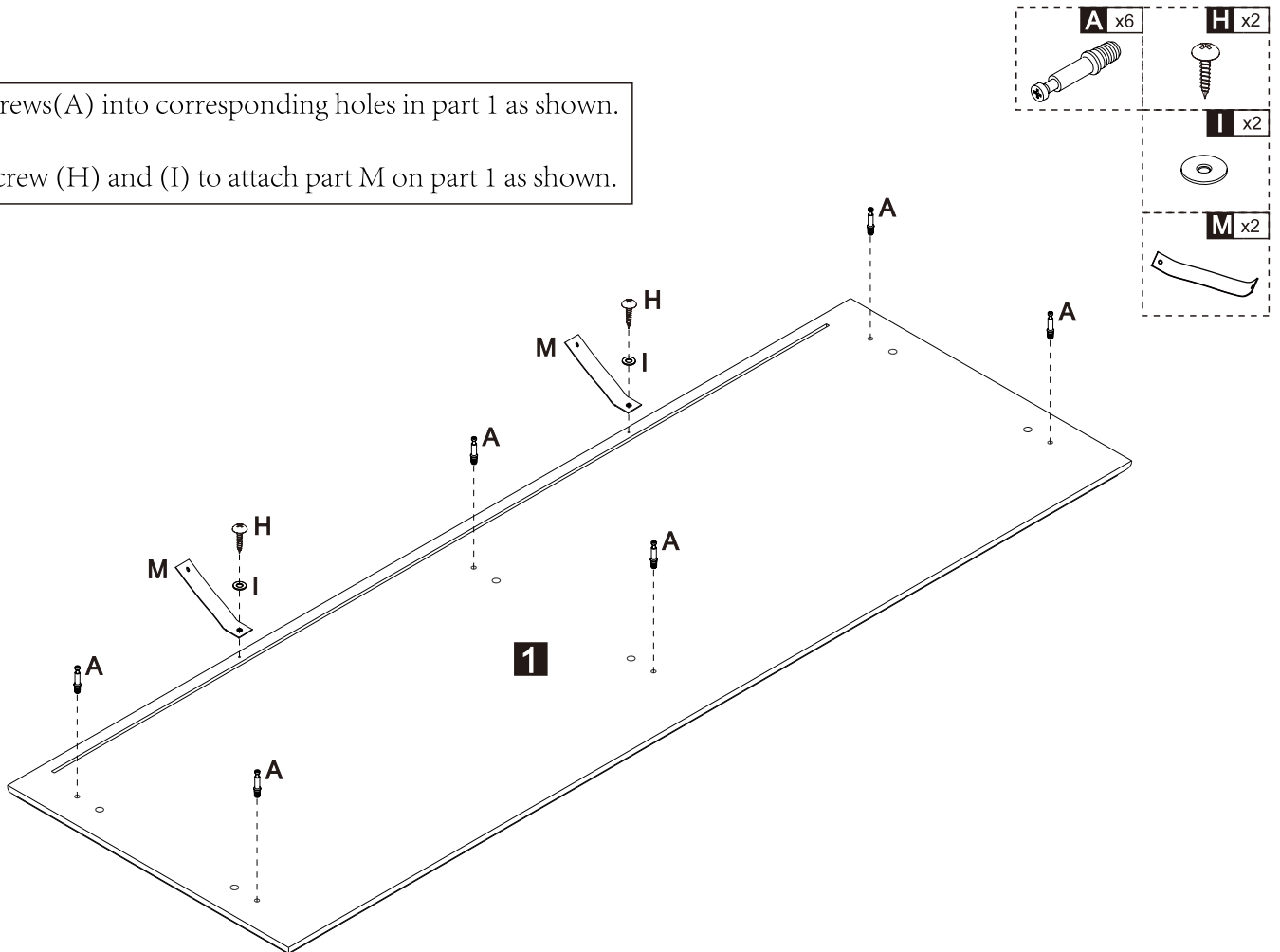
Sliding part 11 into available slots of part 12 and part 13 as shown.



10

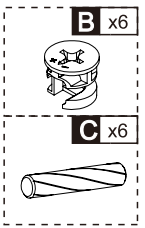
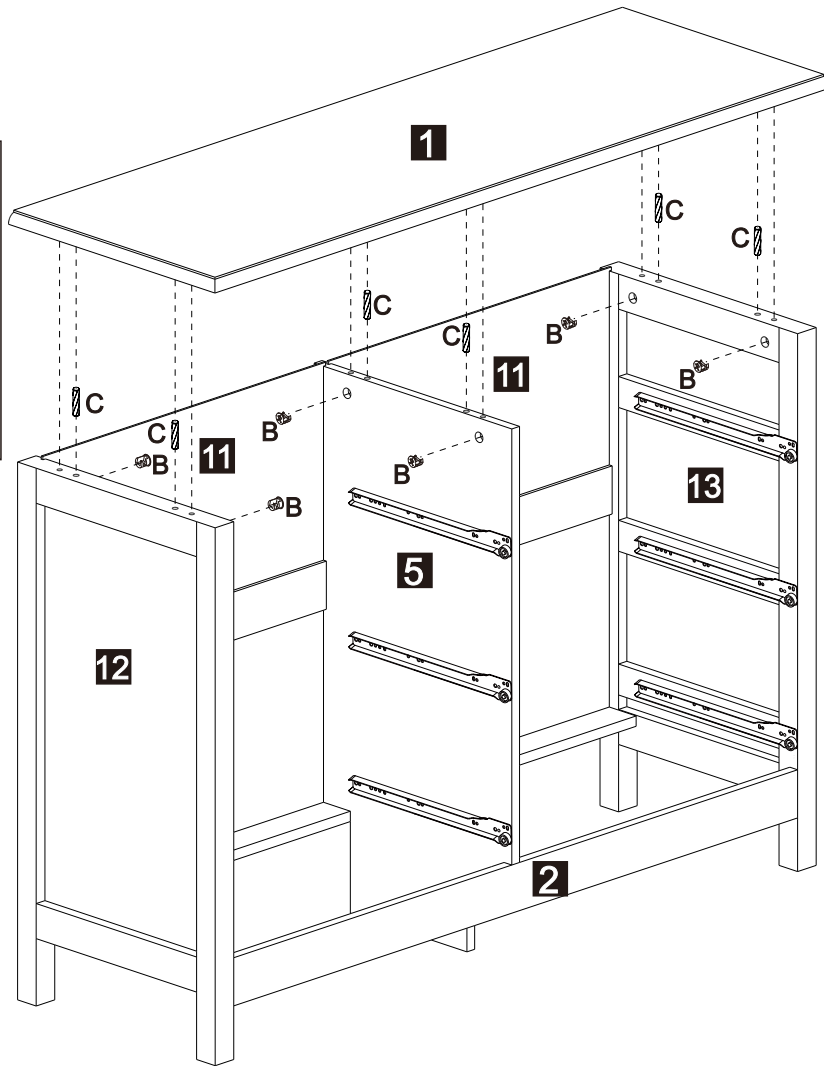
Insert screws(A) into corresponding holes in part 1 as shown.

Using Screw (H) and (I) to attach part M on part 1 as shown.



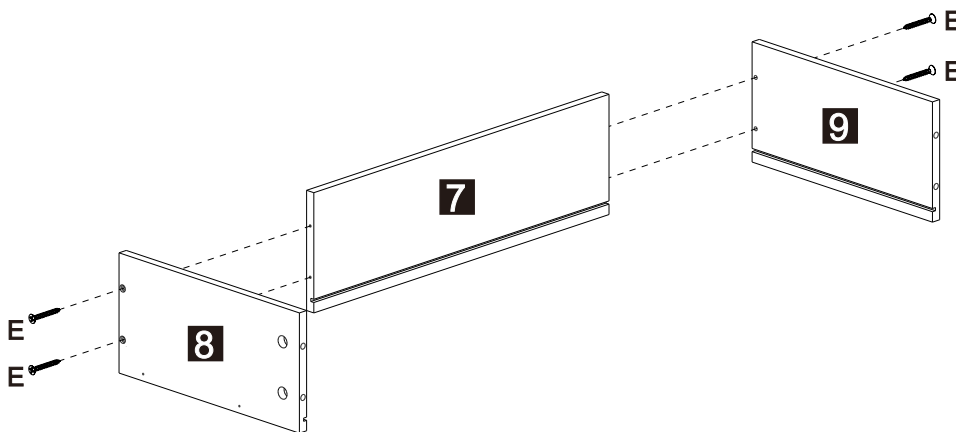
11

Insert wooden dowels (C) into part 5, 12, 13, as shown. Add cam locks (B) into assembled unit as shown and attach part 1 to assembled unit. Turn cam locks clockwise to tighten.

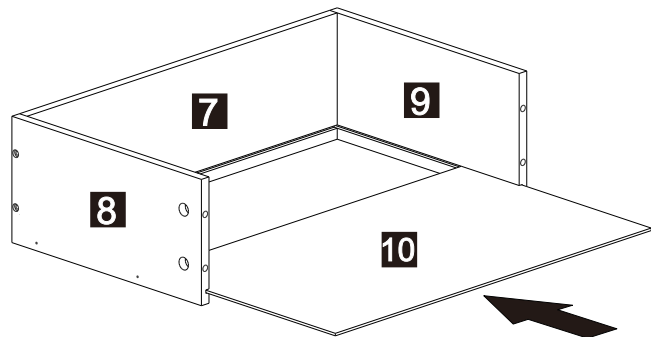


12

Attached part 8 and part 9 to part 7 using screws (E), as shown.

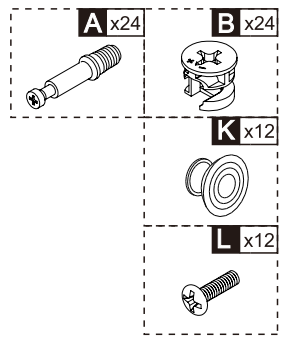
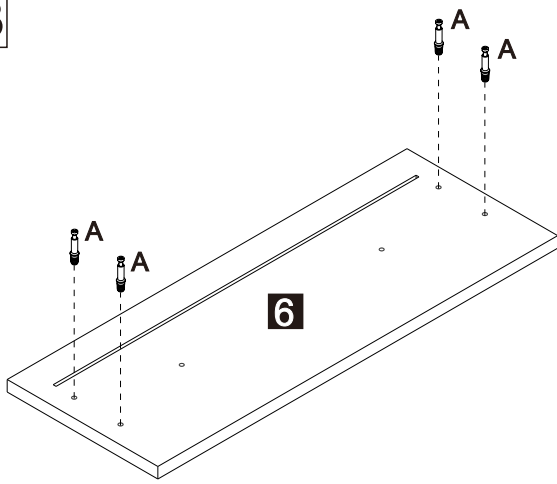


Sliding part 10 into available slots of part 7, 8, 9, as shown.



x6

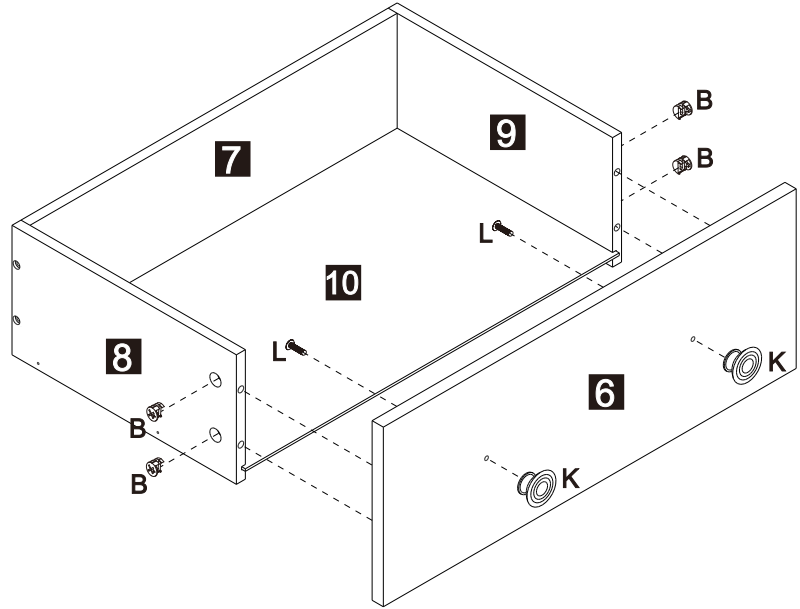
13



Insert screws (A) into corresponding holes in part 6 as shown.

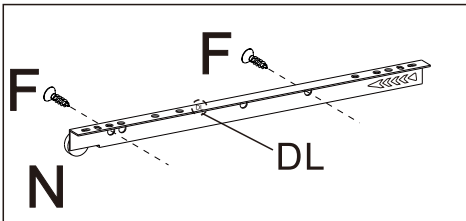
Insert cam locks (B) to parts 8 and 9, attach part 6 as shown. Turn cam locks clockwise to tighten.

Fix knobs (K) to part 6 using screws (L) as shown.

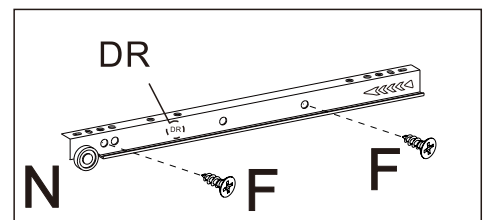
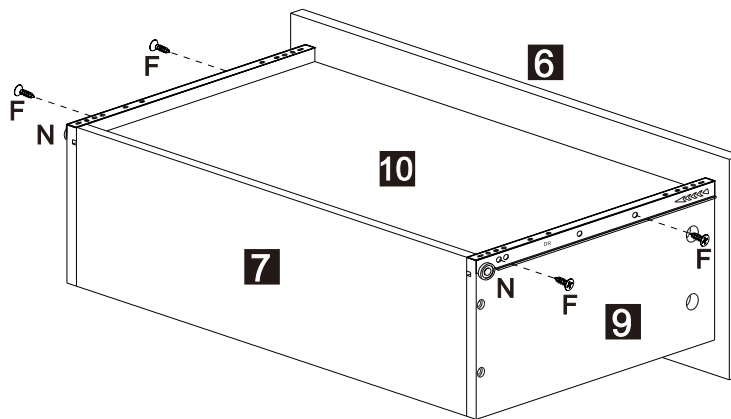
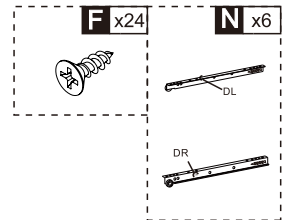


x6

14



Fix left inner drawer runner (N-DL) to part 8 and fix right inner drawer runner (N-DR) to part 9 using screws (F), as shown.



x6

Install anti-tipping device as shown to avoid any danger to your kids or pets.

