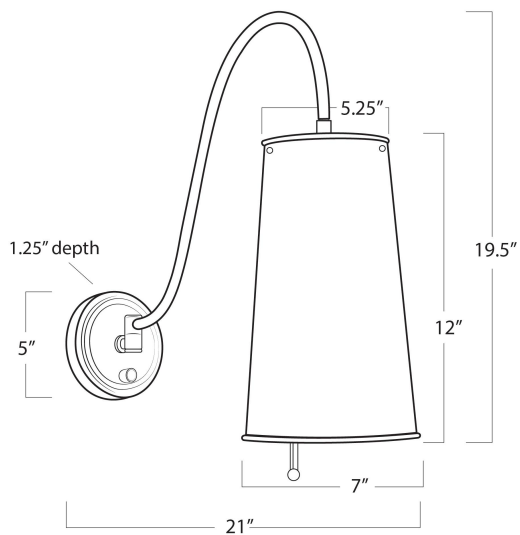


# REGINA ANDREW

DETROIT

## SPECIFICATION SHEET

Hattie Sconce (Natural Brass)  
15-1194NB



<b>HEIGHT</b>	19.5
<b>WIDTH</b>	7
<b>DEPTH</b>	21
<b>SHADE DIMS</b>	5.25 x 7 x 12
<b>SHADE COLOR</b>	Natural Brass
<b>BULB QTY</b>	1
<b>BULB TYPE</b>	A Type Medium Base (E26)
<b>SOCKET</b>	E26 Keyless Dimmer Switch
<b>WATTAGE</b>	60 Watt Max
<b>WIRING TYPE</b>	Hard Wire
<b>BACKPLATE</b>	5 x 5 x 1.25
<b>JUNCTION BOX</b>	14.5 in from top, 5 in from bottom, 3.5 from side
<b>MATERIAL</b>	Steel
<b>FINISH</b>	N/A
<b>NOTES</b>	N/A
<b>FREIGHT ONLY</b>	No

**R/A**