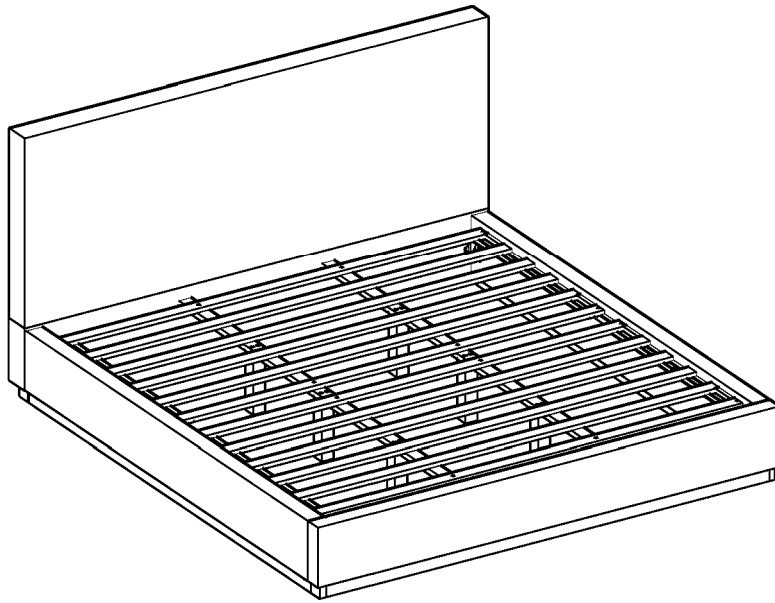








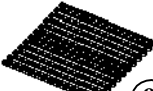


ASSEMBLY INSTRUCTIONS

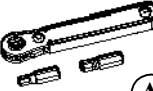
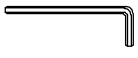





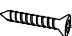
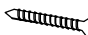
MODEL : ASPEN



COMPONENT

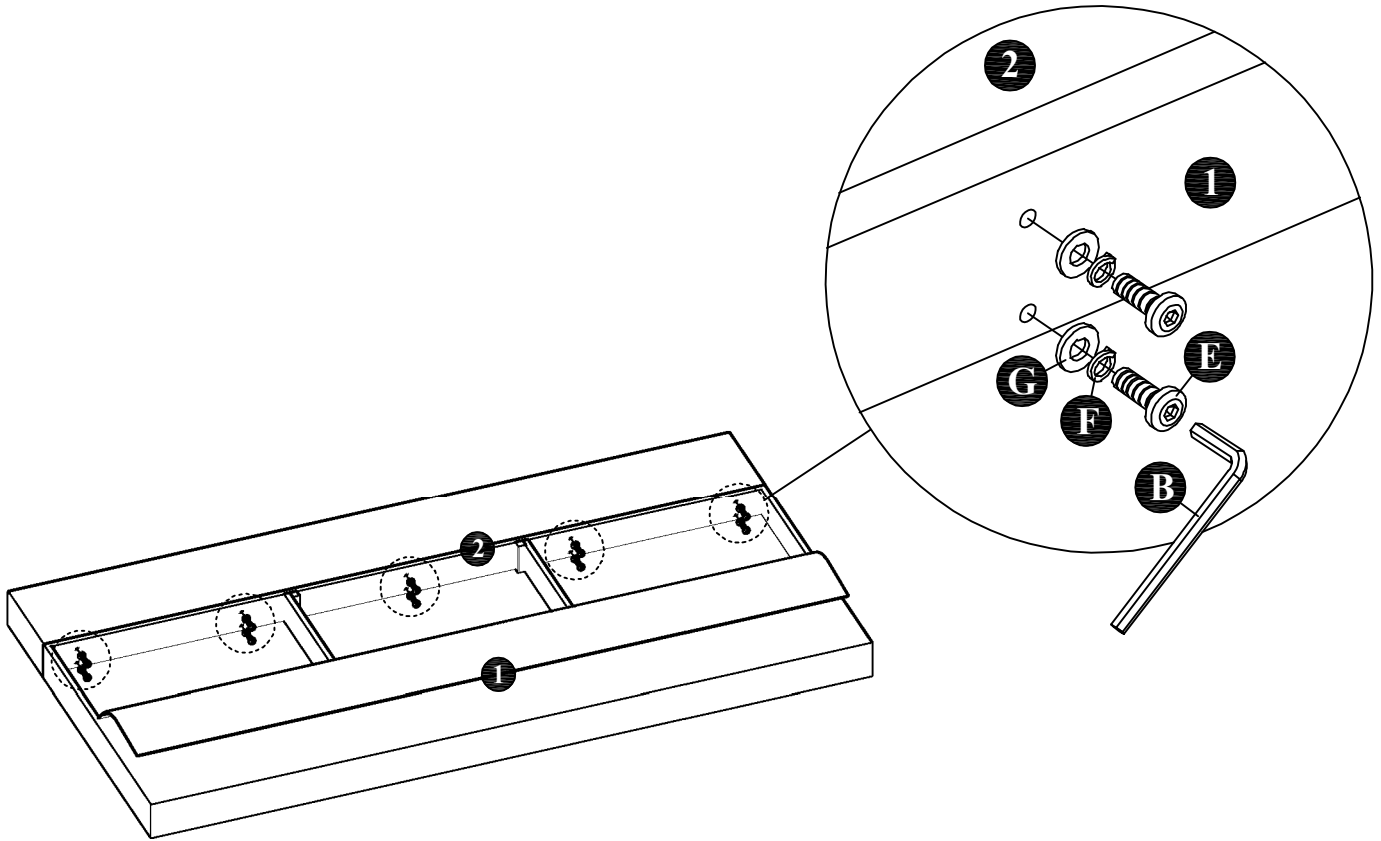
Headboard - 1 pc.  ①	Headboard Bottom - 1 pc.  ②	Footboard - 1 pc.  ③	Side Rail - 2 pcs.  ④	Center Rail - 2 pcs.  ⑤	Center Leg - 6 pcs.  ⑥	Headboard Leg - 2 pcs.  ⑦	Side Rail Leg - 2 pcs.  ⑧
Slats - 12 pcs.(2set)  ⑨							

HARDWARE

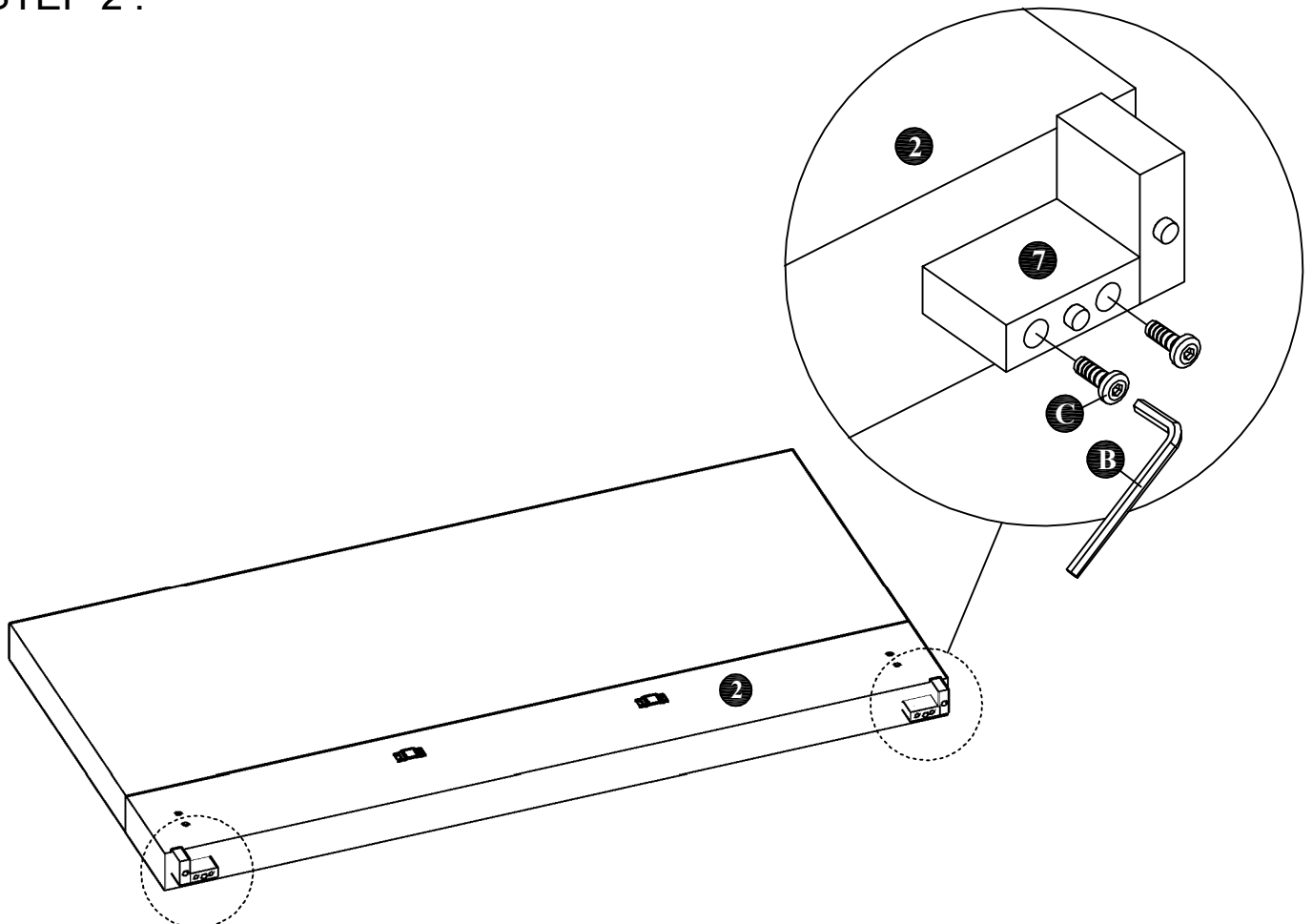
Ratchet Tool - 1 pc.  ①	Allen Key M4 (Long Ball Head) - 1 pc.  ②	JCBC Bolt M6 x 55mm - 14 pcs.  ③	JCBC Bolt M6 x 40mm - 12 pcs.  ④	JCBC Bolt M6 x 35mm - 10 pcs.  ⑤	M6 Spring Washer - 10 pcs.  ⑥	M6 Flat Washer - 10 pcs.  ⑦	Wood Screw M4 x 20mm - 4 pcs.  ⑧
Wood Screw M4 x 25mm - 16 pcs.  ⑨							

ASSEMBLY INSTRUCTIONS

STEP 1 :

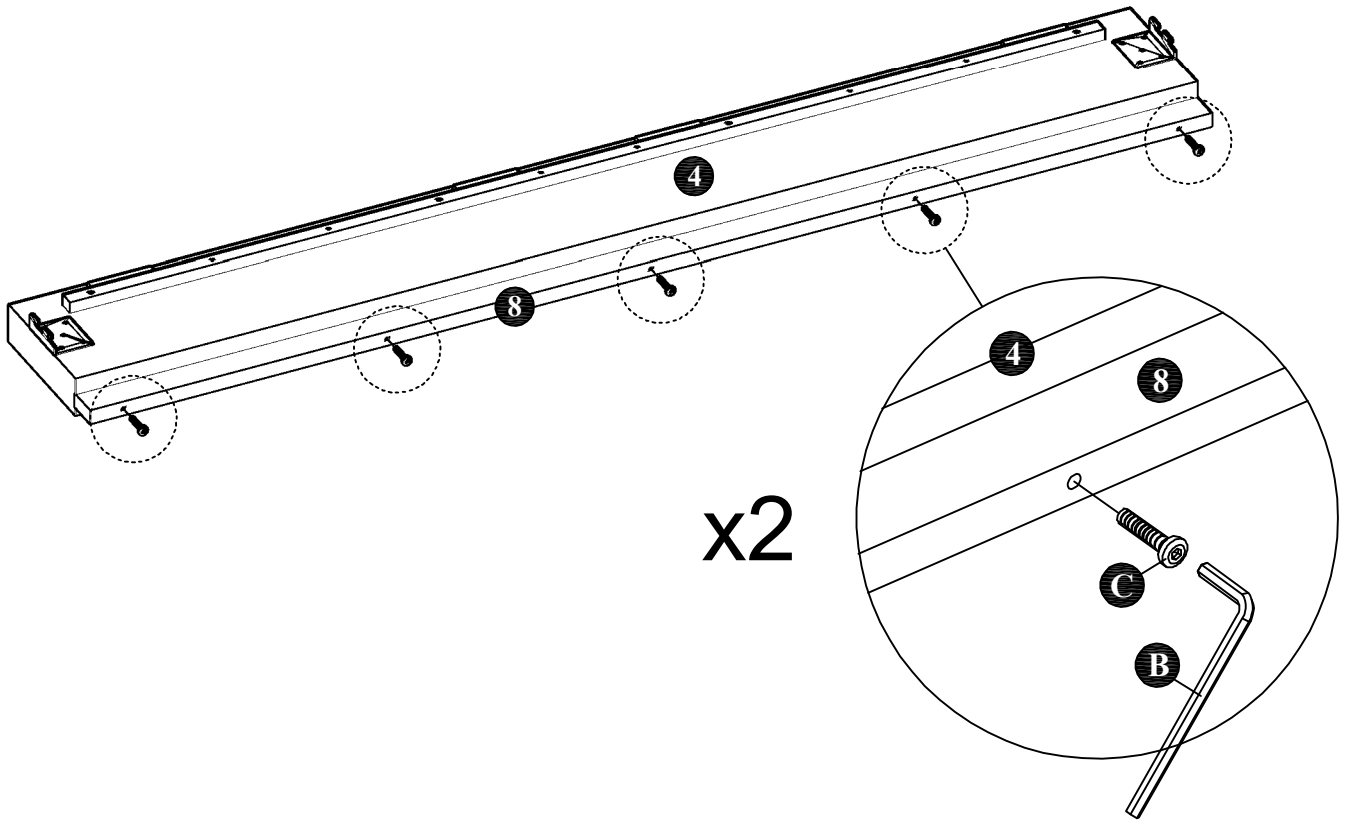


STEP 2 :

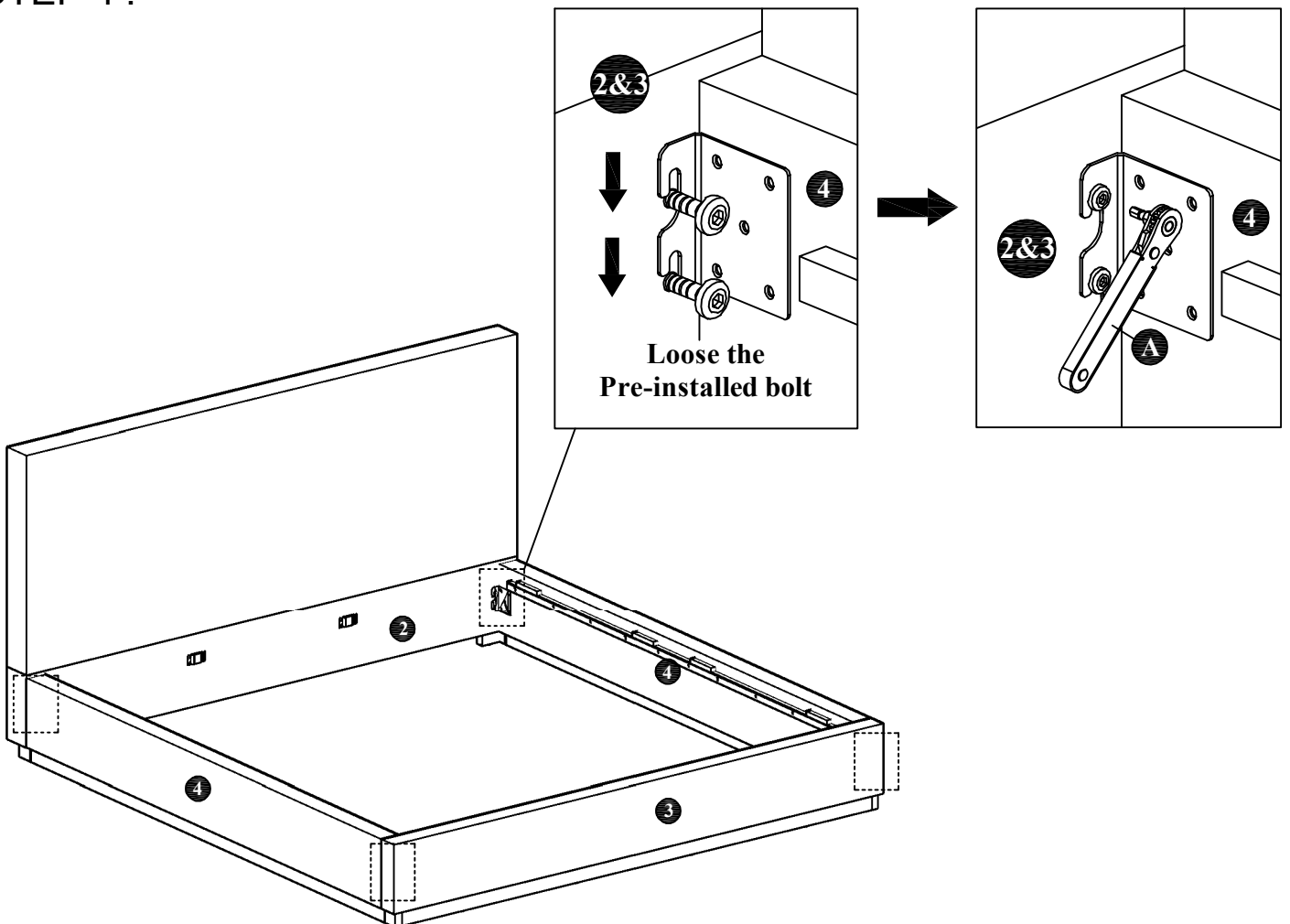


ASSEMBLY INSTRUCTIONS

STEP 3 :

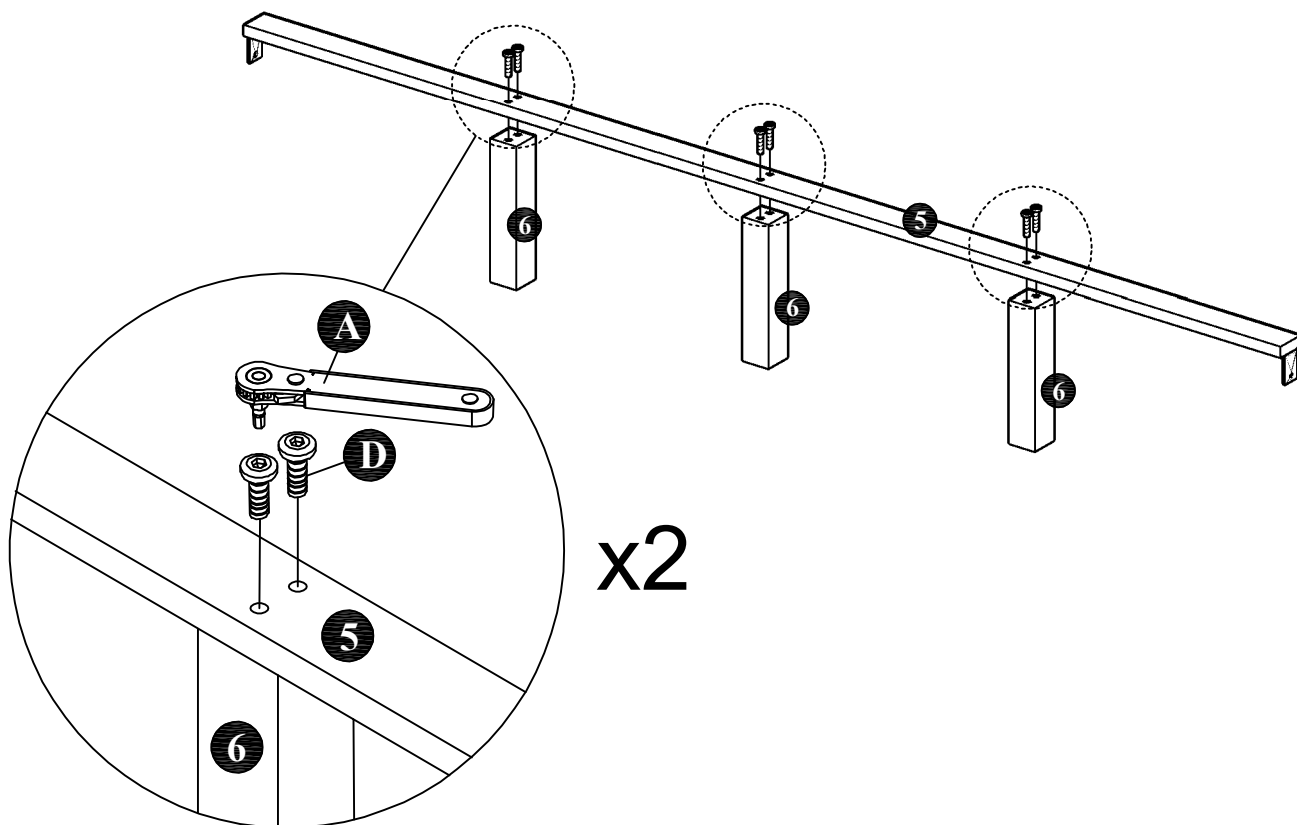


STEP 4 :

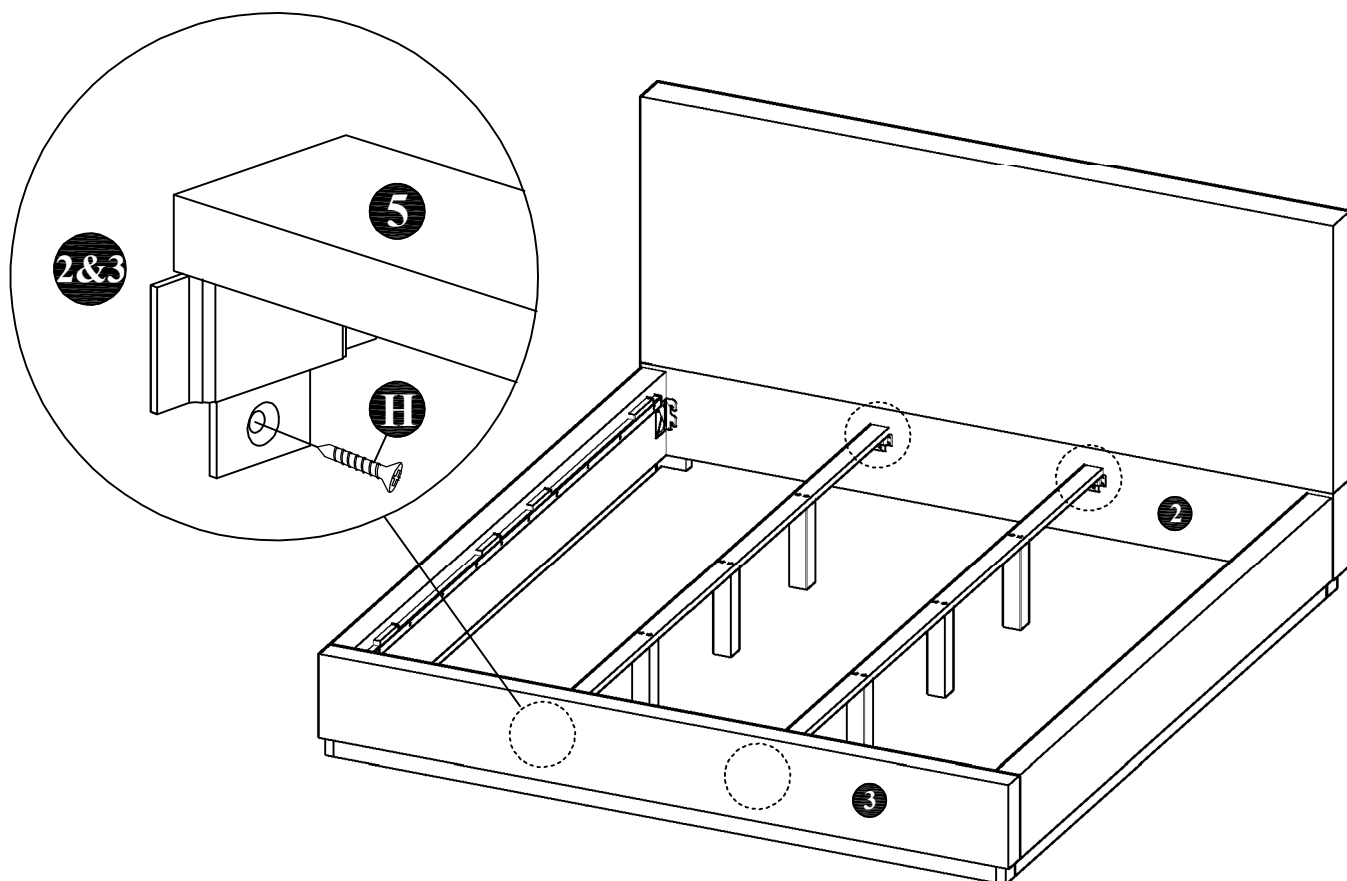


ASSEMBLY INSTRUCTIONS

STEP 5 :

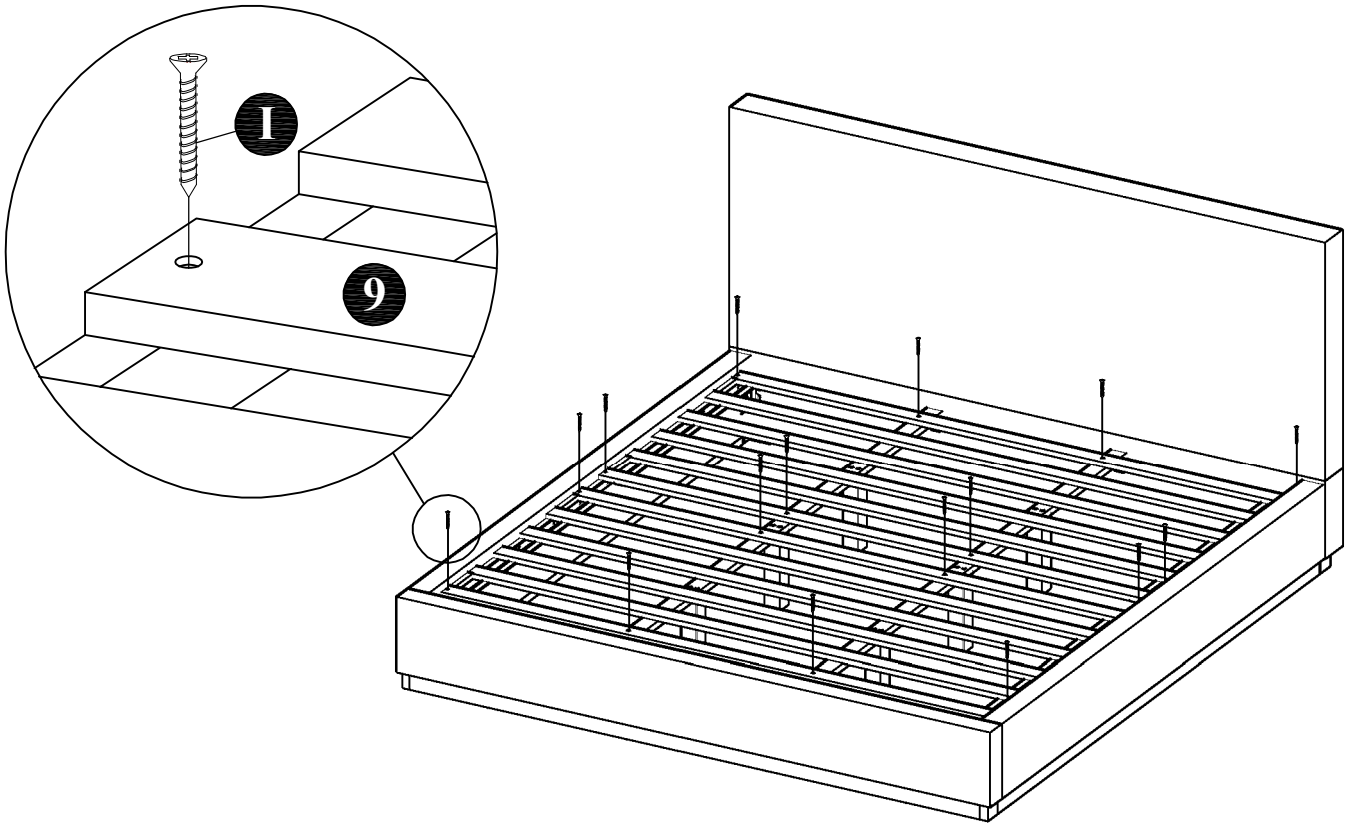


STEP 6 :



ASSEMBLY INSTRUCTIONS

STEP 7 :



COMPLETE VIEW

IMPORTANT

Please lift up the bed to move
with 2 or more people.

DO NOT DRAG THE BED!

