

ASSEMBLY INSTRUCTIONS



Fine Furniture for every stage of life

Coffee Table

ASSEMBLY INSTRUCTIONS

ASSEMBLY TIPS:

1. Remove hardware from box and sort by size.
2. Please check to see that all hardware and parts are present prior to start of assembly.
3. Please follow attached instructions in the same sequence as numbered to assure fast & easy assembly.



WARNING!

1. Don't attempt to repair or modify parts that are broken or defective. Please contact the store immediately.
2. This product is for home use only and not intended for commercial establishments.



ASSEMBLY TIME

15 MINUTES

PARTS IDENTIFICATION

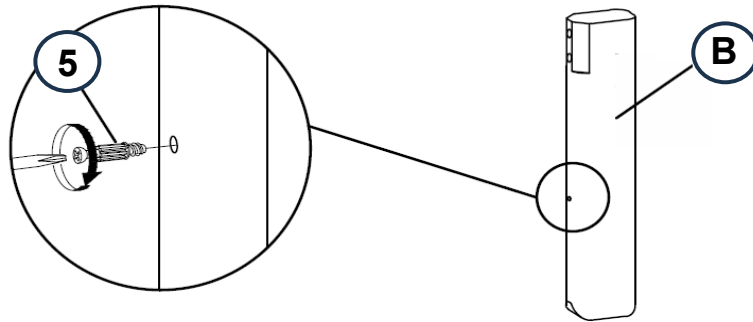
A	TOP		1PC
B	LEG		4PCS
C	SHELF		1PC

HARDWARE IDENTIFICATION

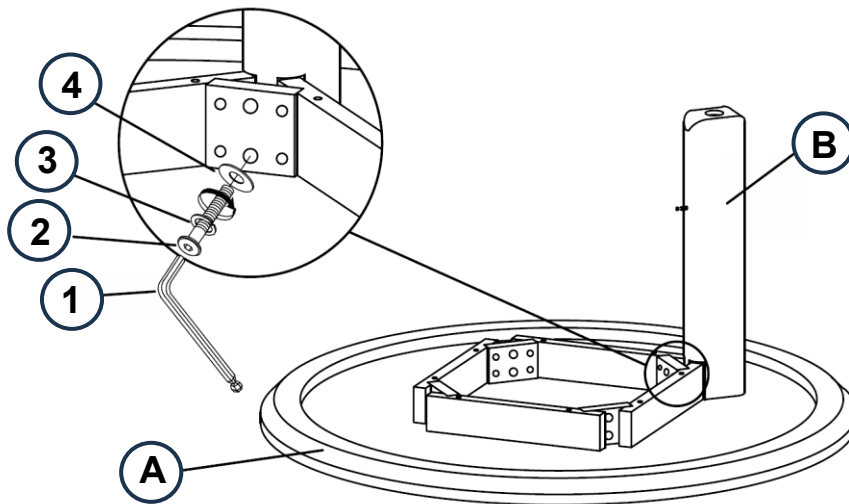
1	ALLEN WRENCH (M4 x 100mm - BLK)		1PC
2	BOLT (M6 x 70mm - RBW)		8PCS
3	LOCK WASHER (M6 - RBW)		8PCS
4	FLAT WASHER (M6 - RBW)		8PCS
5	CAM BOLT (I100 BR.B24/5/11-SR)		4PCS
6	CAM NUT (15/15+16 Z1 BRIGH - SR)		4PCS
7	LEVELER (23mm - BLK)		4PCS

ASSEMBLY INSTRUCTIONS

STEP 1

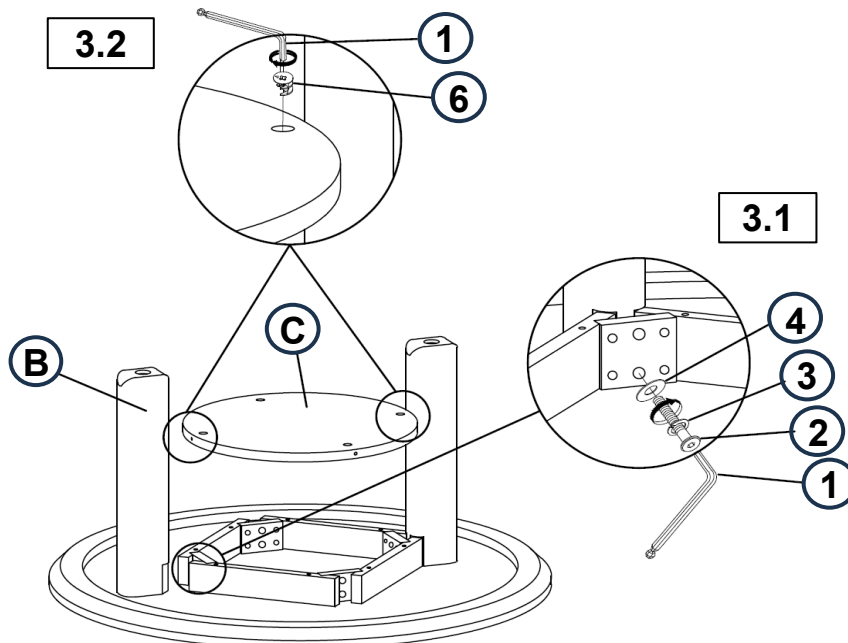


STEP 2



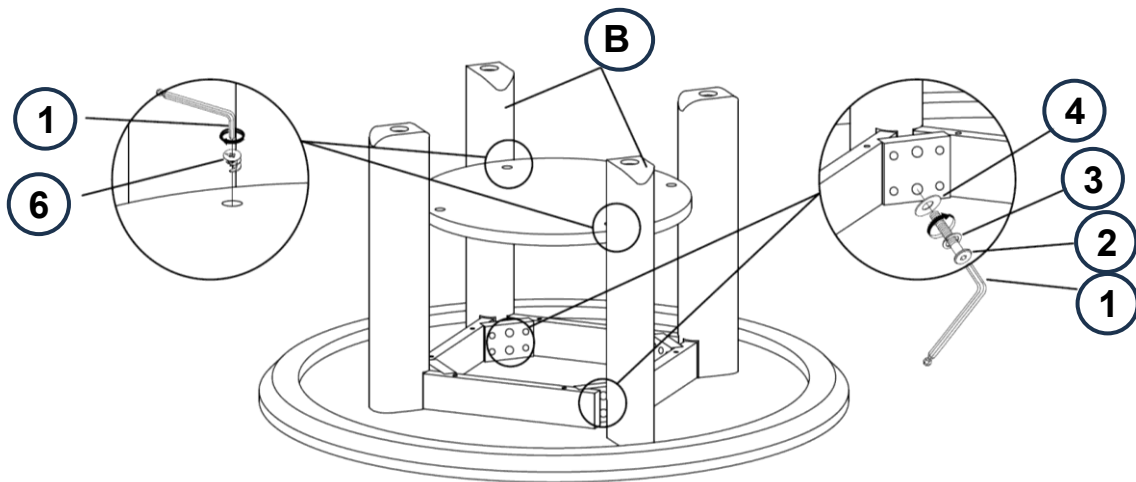
*Bottom View

STEP 3

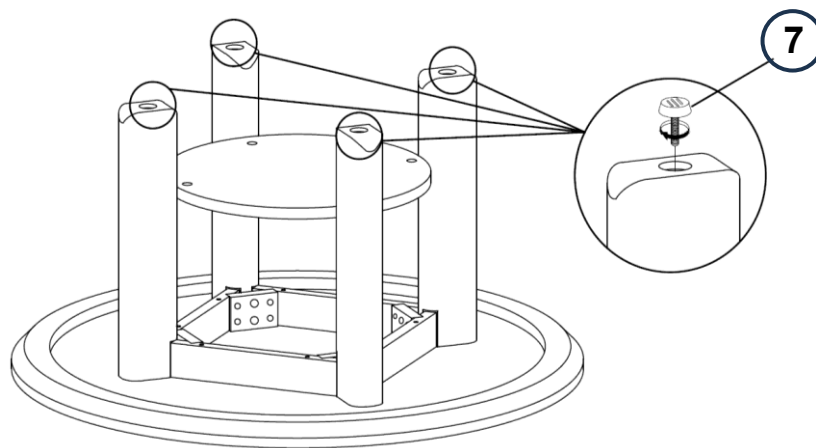


ASSEMBLY INSTRUCTIONS

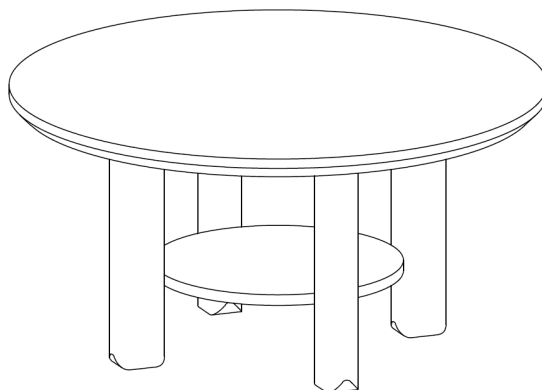
STEP 4

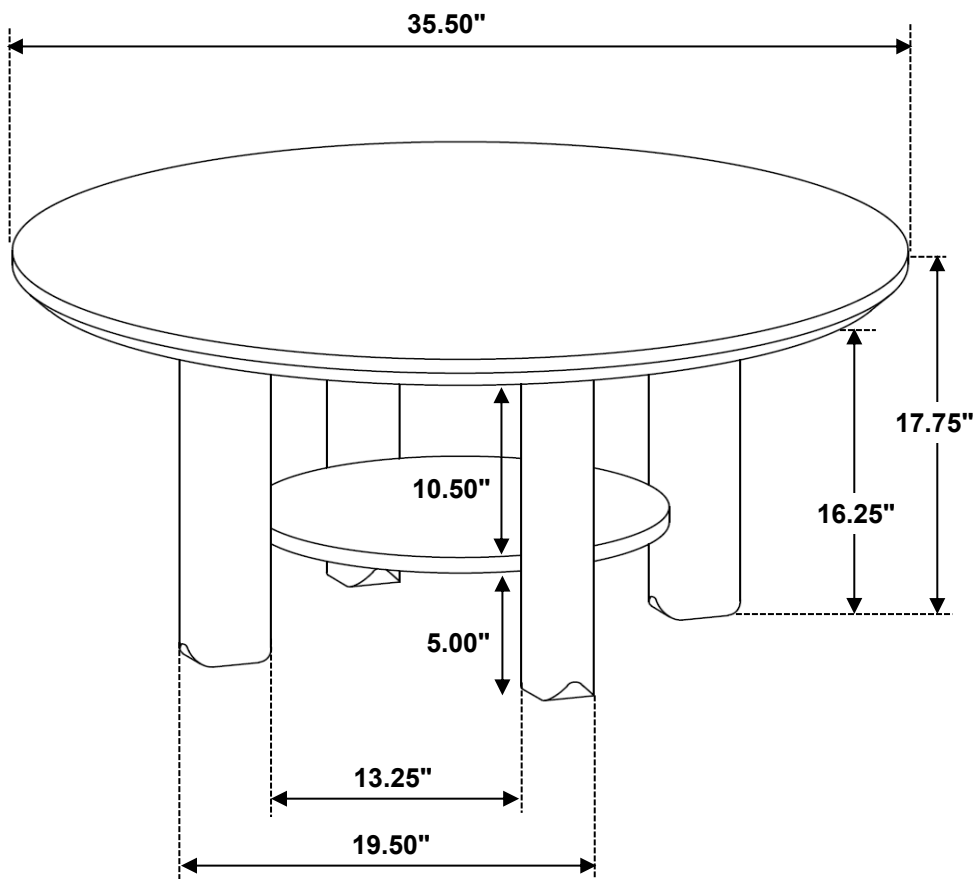


STEP 5



STEP 6 **COMPLETE**





Note: Dimension tolerance $\pm 5\%$