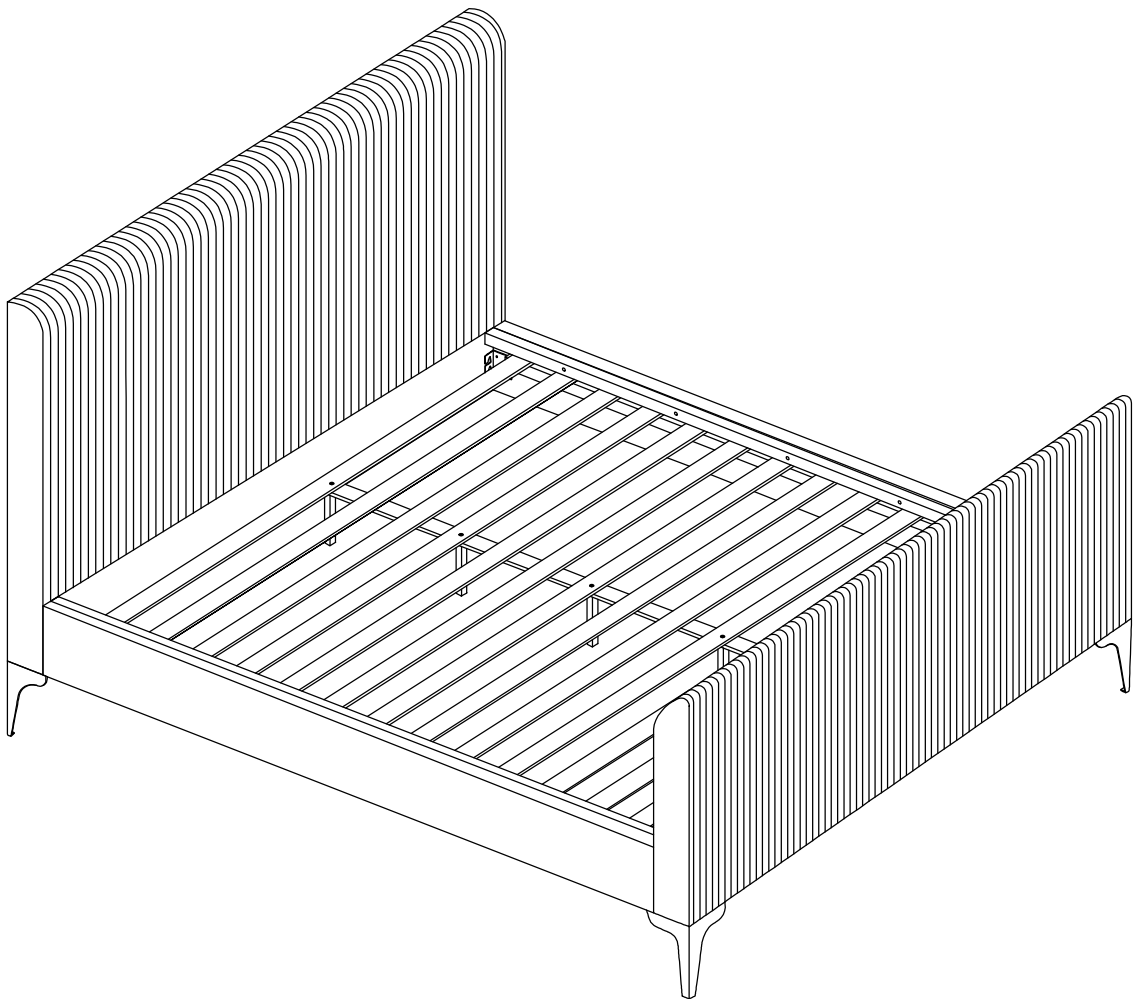
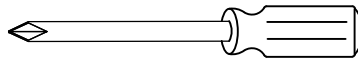
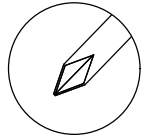


ASSEMBLY INSTRUCTIONS

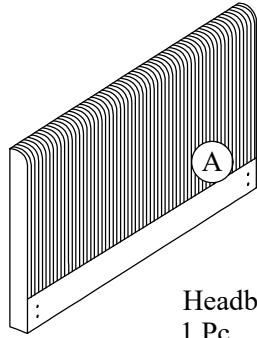
CAL KING HEADBOARD
CAL KING FOOTBOARD
CAL KING RAILS + SLATS



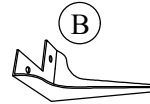
ASSEMBLY TOOLS REQUIRED (NOT INCLUDED)



BOX - 1 HEADBOARD

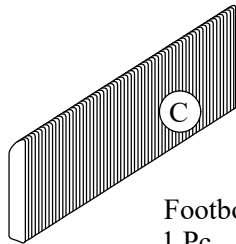


Headboard
1 Pc



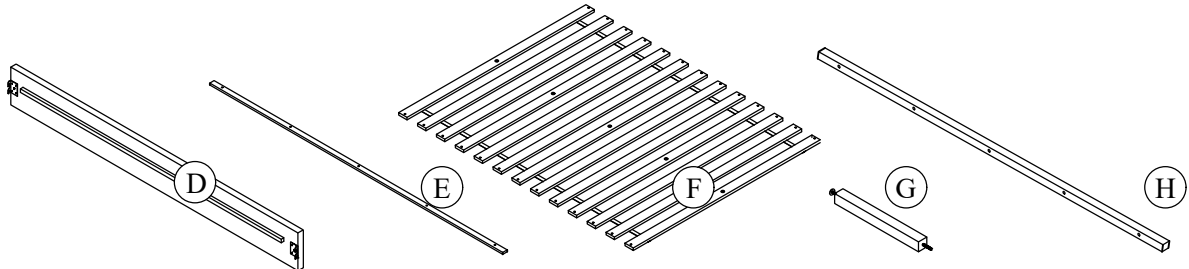
Legs
4 Pcs

BOX - 2 FOOTBOARD



Footboard
1 Pc

BOX - 3 SIDE RAIL & SLAT & SUPPORT LEGS



Bed Side Rails
2 Pcs

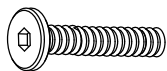
Support Rail
1 Pc

Slat
1 Set

Support Leg
5 Pcs

Cap Rail
2 Pcs

HARDWARE LIST



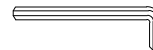
1. Bolt
Ø5/16"*32mm
16 Pcs



2. Spring Washer
Ø5/16"
16 Pcs



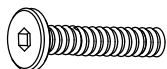
3. Flat Washer
Ø5/16"*19mm
16 Pcs



4. Allen key
4 x 60mm
1 Pc



5. Screw
#4 x 30mm
26 Pcs



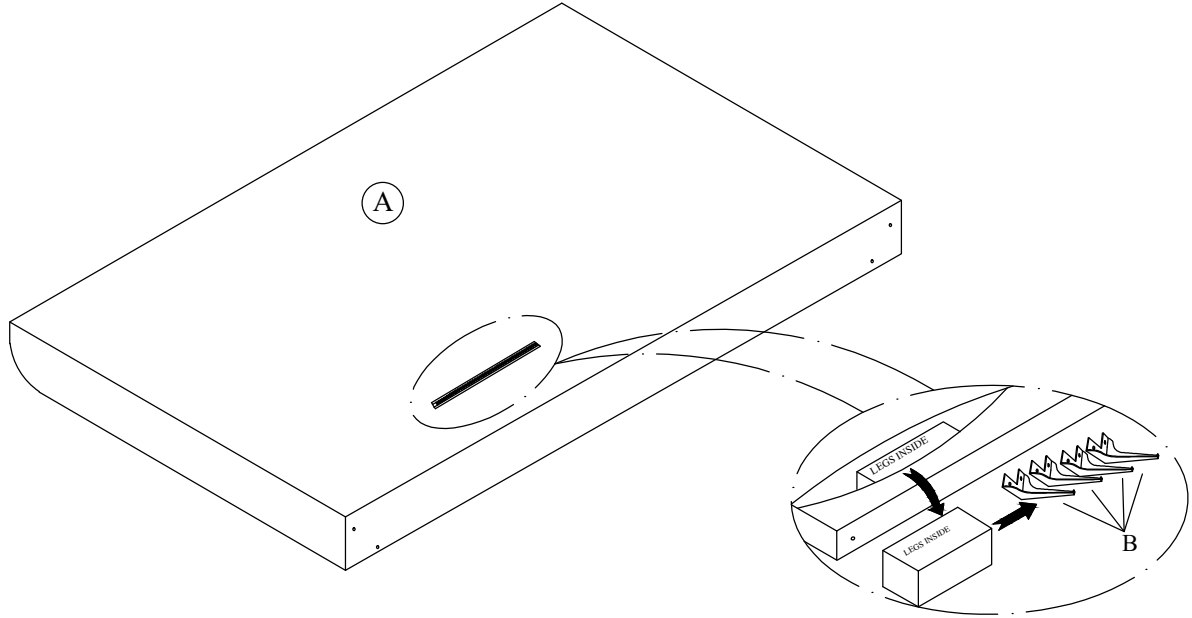
6. Bolt
Ø1/4"*50mm
10 Pcs







7. Spring Washer
Ø1/4"
10 Pcs

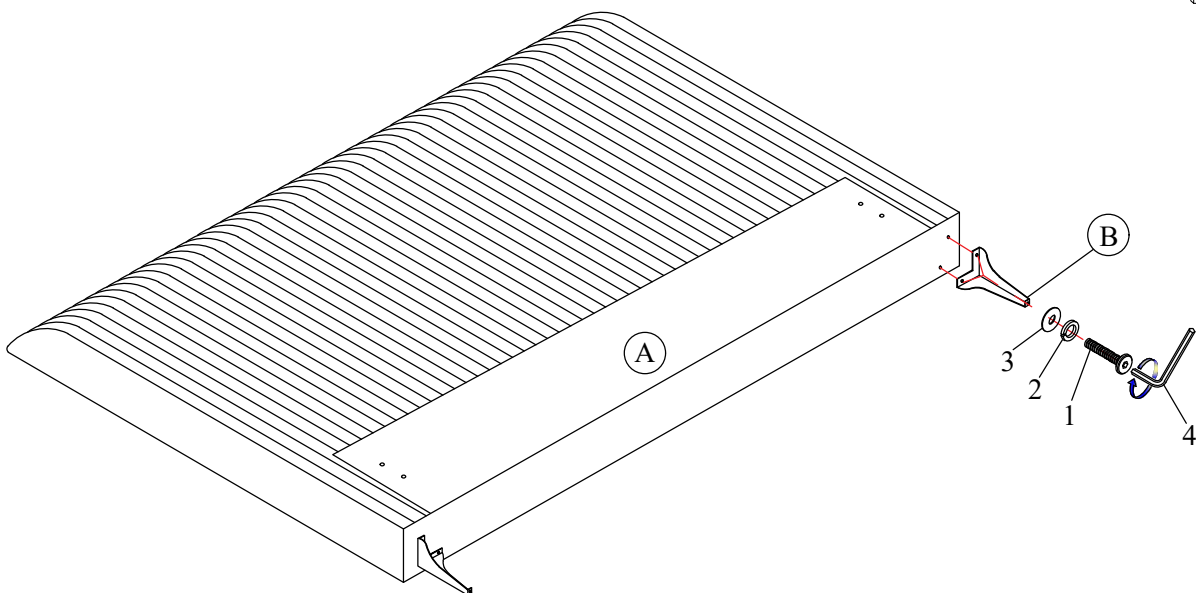
ASSEMBLY INSTRUCTIONS

STEP-1:



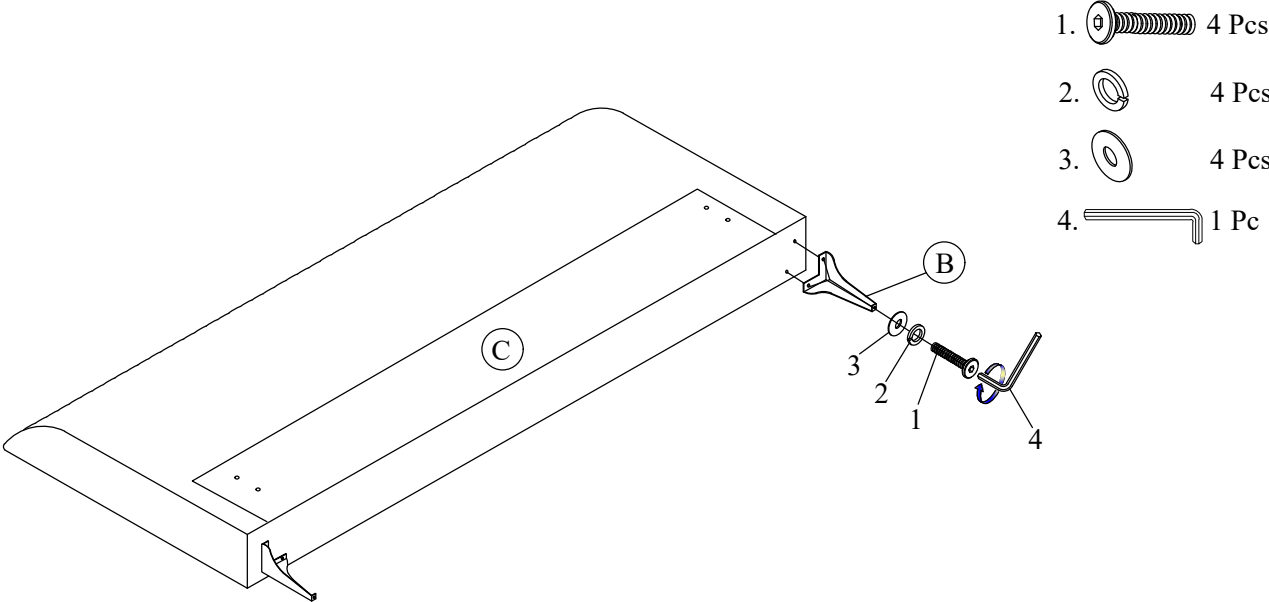
STEP-2:

1.  4 Pcs
2.  4 Pcs
3.  4 Pcs
4.  1 Pc

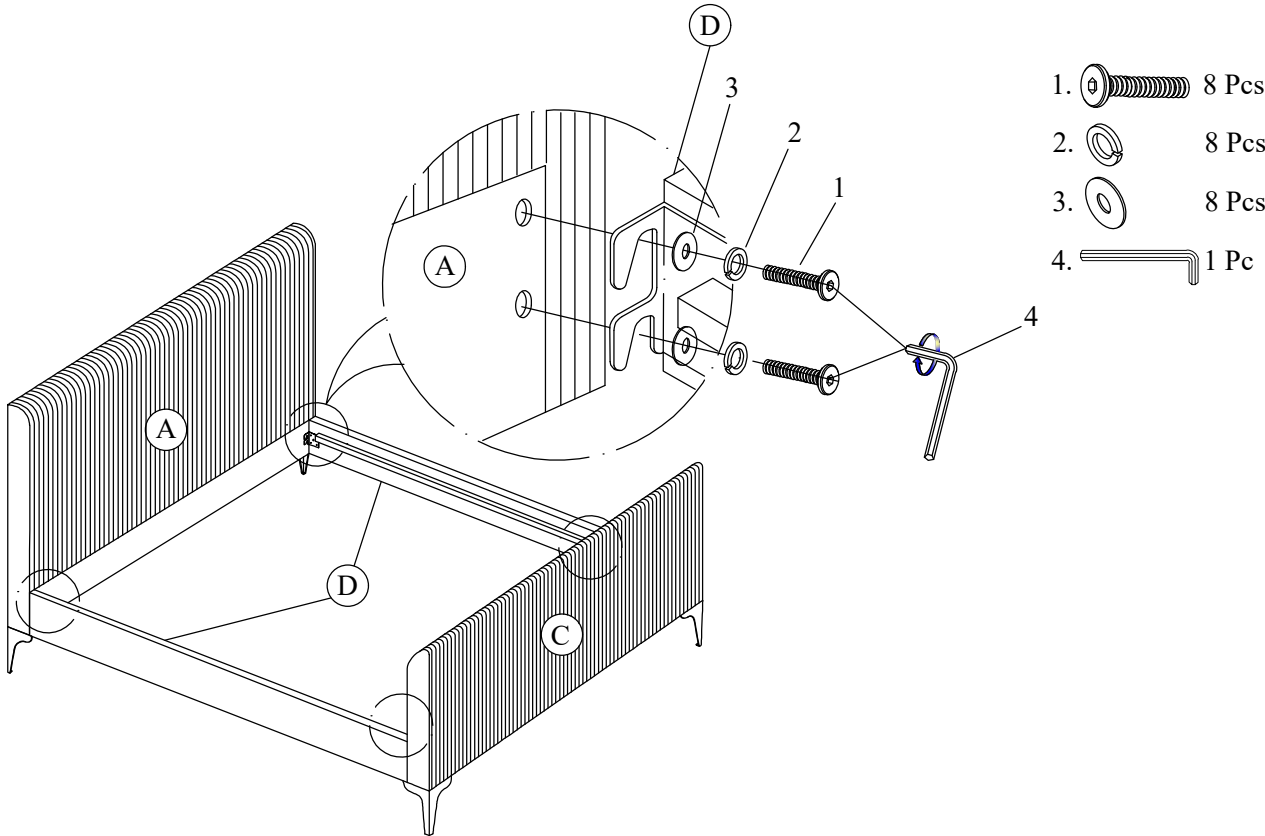


ASSEMBLY INSTRUCTIONS

STEP-3:



STEP-4:

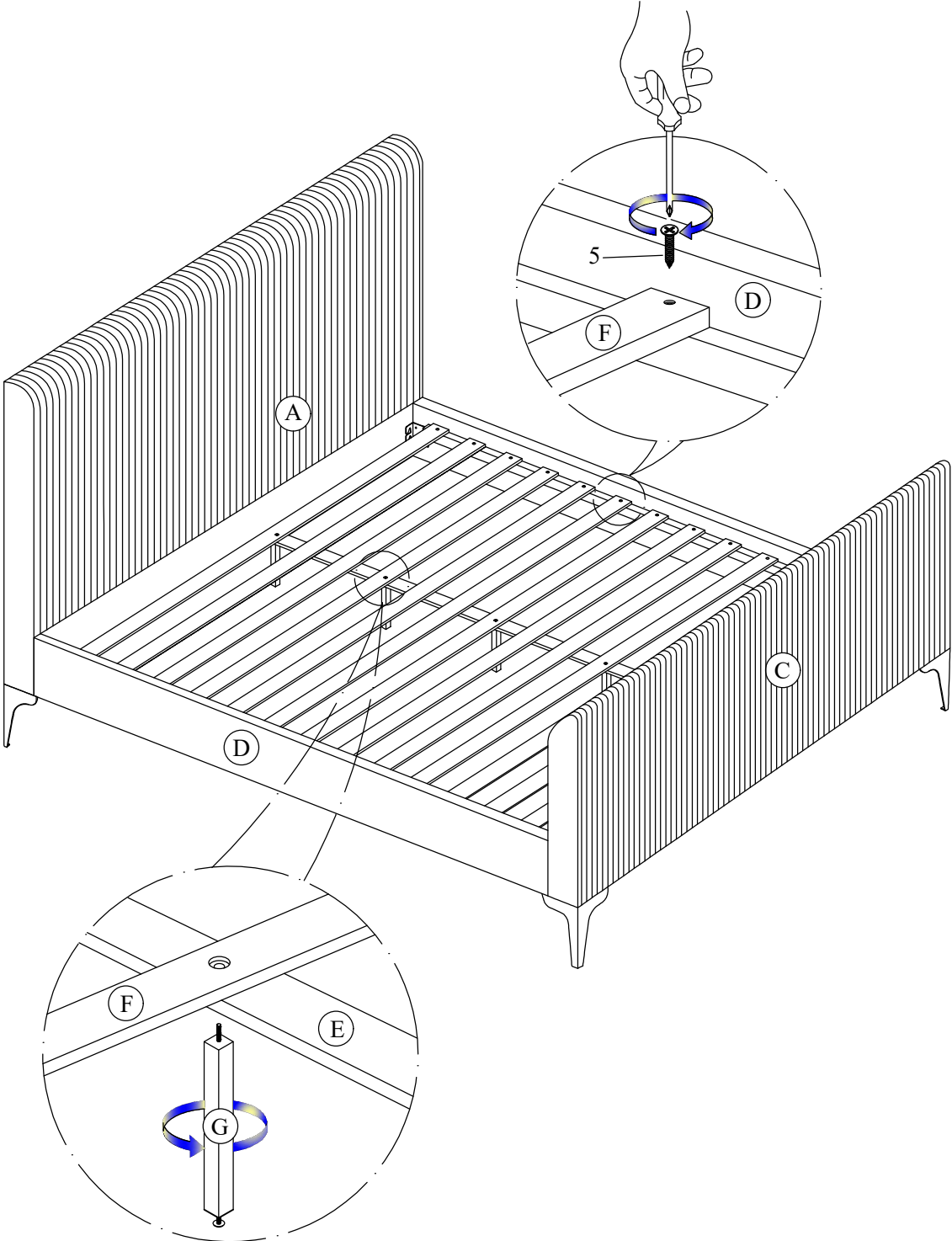


ASSEMBLY INSTRUCTIONS

STEP-5:




5.  26 Pcs

SCREWDRIVER NOT INCLUDED



ASSEMBLY INSTRUCTIONS

STEP 6:

- 4.  1 Pcs
- 6.  10 Pcs
- 7.  10 Pcs

