

## AFTERSALE SERVICE

Dear customer,

Thank you so much for purchasing the product from us, we really appreciate your support.

We are aimed to provide the best shopping experience to our customers. We also want to build a mutually beneficial relationship with our customers, and step further to make our brand both reliable, responsible and recommendable.

We hope that our products could meet your needs and expectations, please consider us again if you need more products for your home and kitchen.

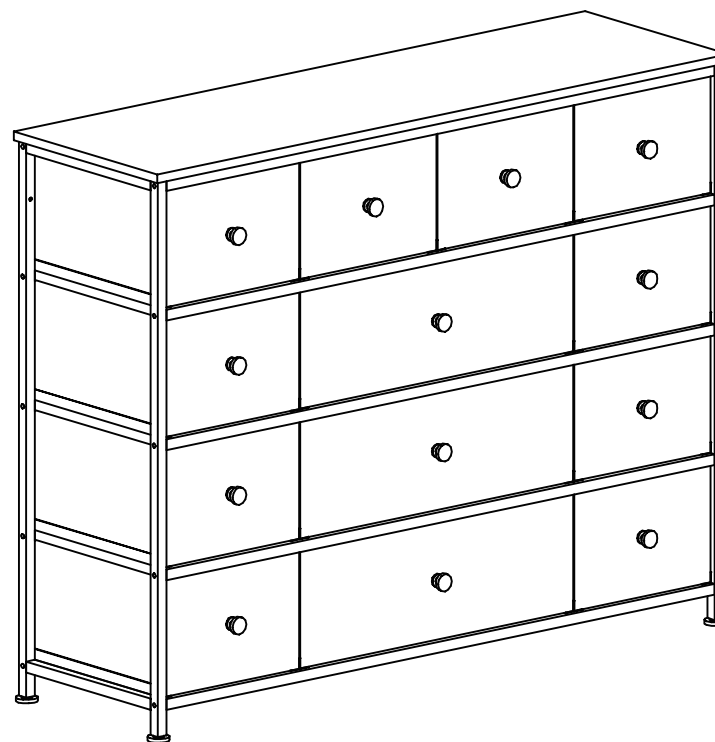
The package would be out of our control during shipping, please contact us through your purchasing channel directly if there is anything wrong with the box or contents. We are always here offering you our service.

We will reply your messages within 24 hours, please kindly wait for the response from our team.

Your comfort and contentment are of utmost importance.

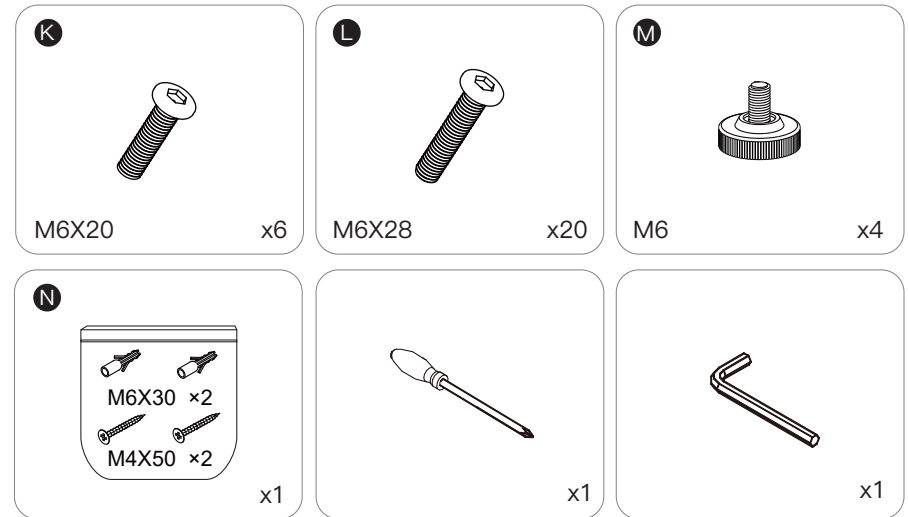
Best Regards,  
Customer Care Specialist

# ASSEMBLY INSTRUCTION

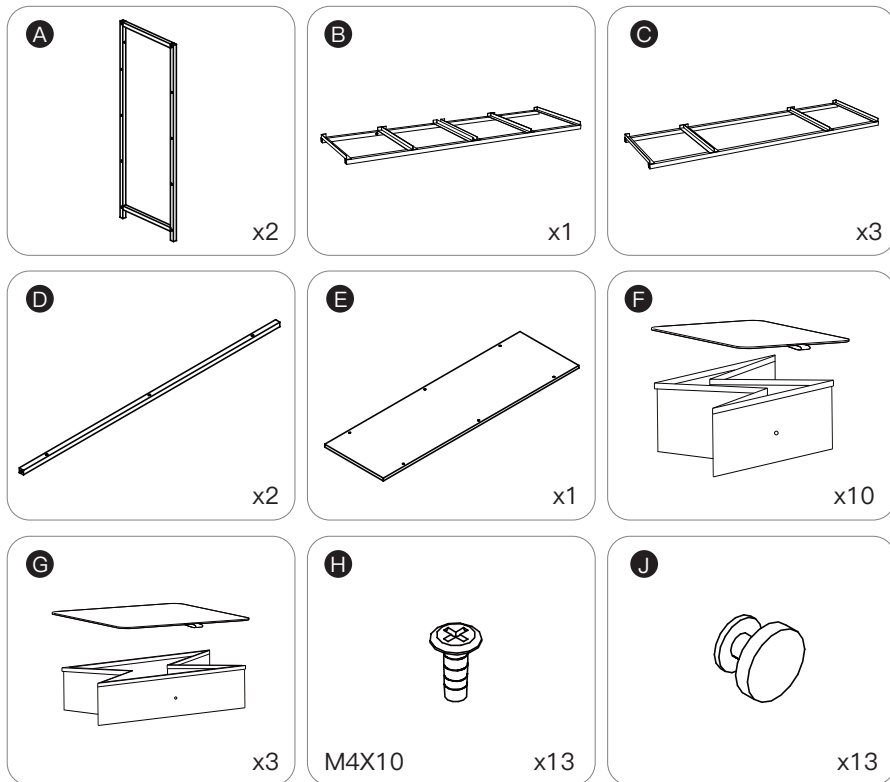


Please check all parts and accessories according to the parts list before assembling, make sure all contents are sufficient and in good condition.

If there is any parts missing or defective, please contact us immediately with purchase platform message to get replacement parts.



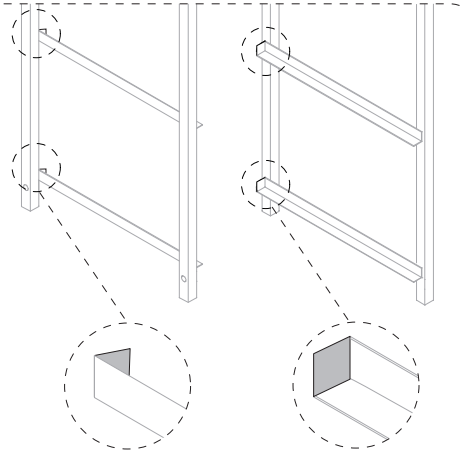
## PARTS:



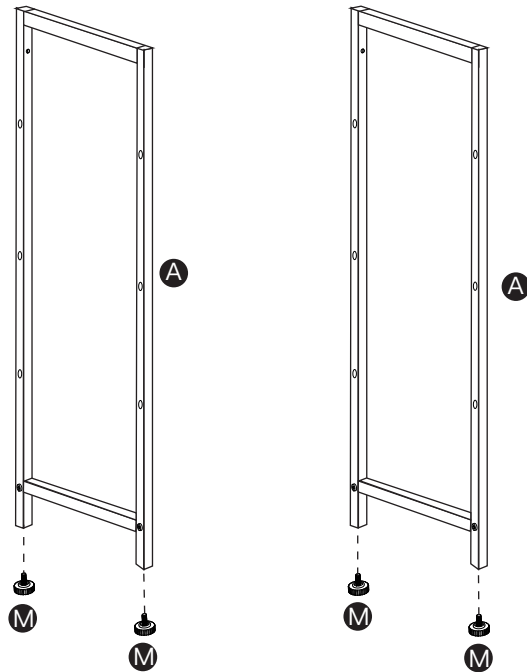
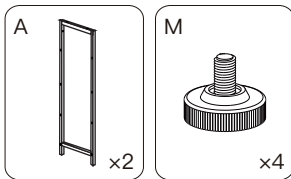
# HOW TO INSTALL

## NOTICE:

1. Use electric drill for better installation experience.
2. Please pay attention to the direction of the baffle (the top and bottom are the same, the left and right are opposite.)

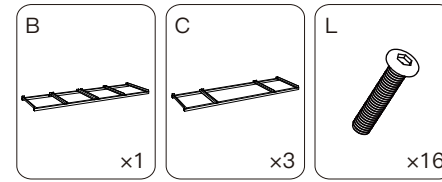


## Step 1 Install part M on part A.



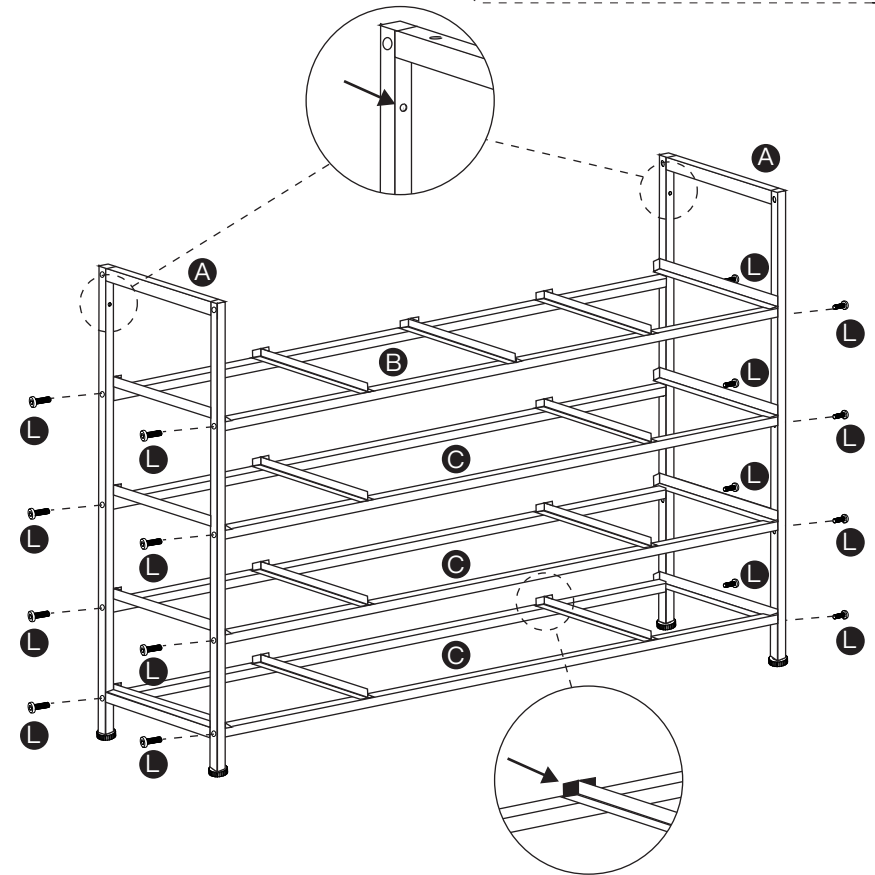
## Step 2

Connect part A with part B & C, use part L to screw them.

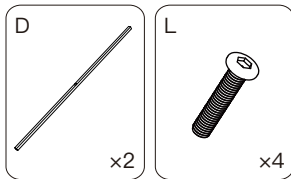


## NOTICE:

Make sure the pole with **ONE** single hole of part A and the baffles of part B & C are oriented the same direction.

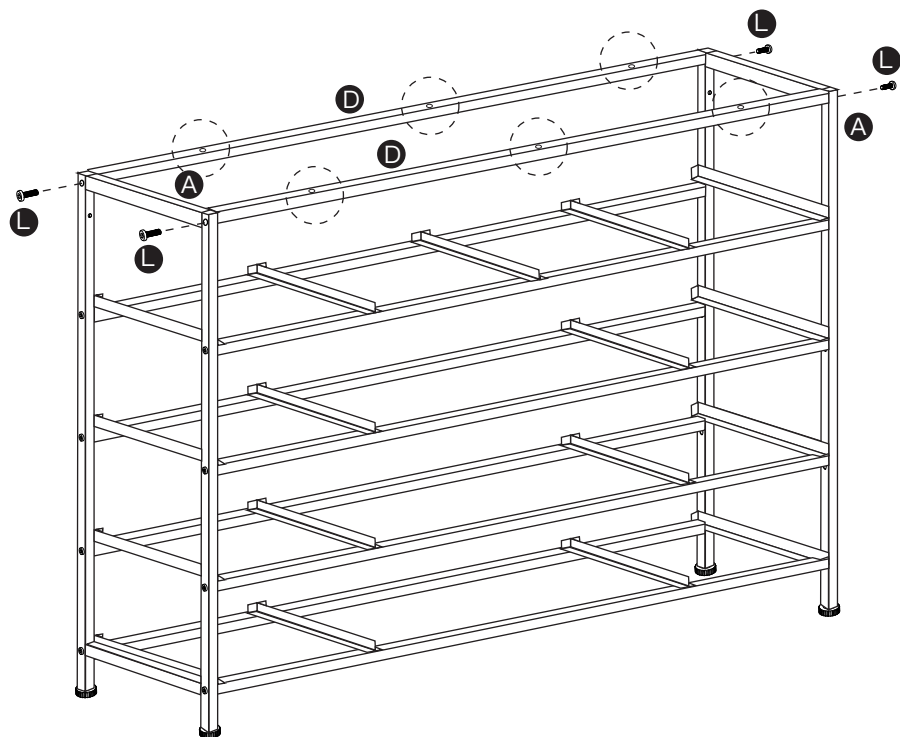
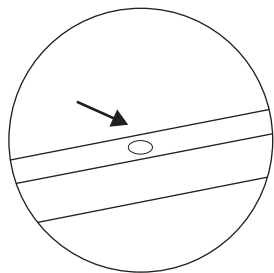


**Step 3** Connect part **A** with part **D**, use part **L** to screw them.

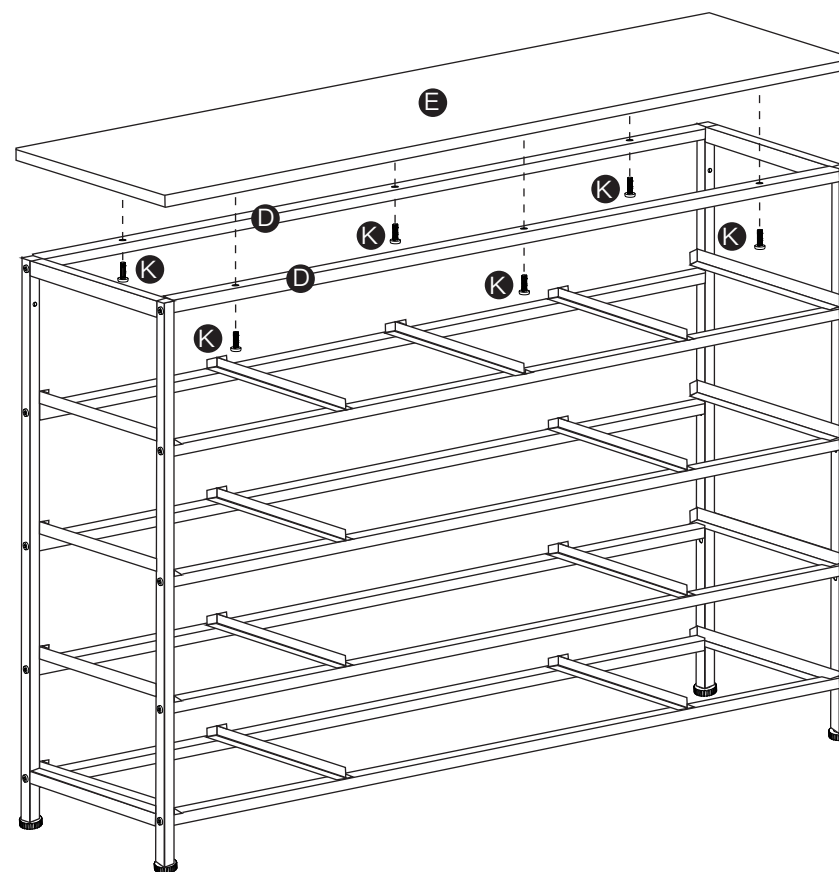
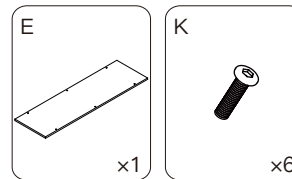


**NOTICE:**

Make sure the flat hole of part **D** is facing upwards, the dent hole is facing downwards.

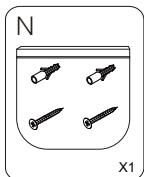


**Step 4** Install part **E** on part **D**, use part **K** to screw them.



## Step 5

(Optional) Drill two holes on a solid wall and insert wall anchors of part **N** inside the holes, then lock the rack with screws of part **N**.



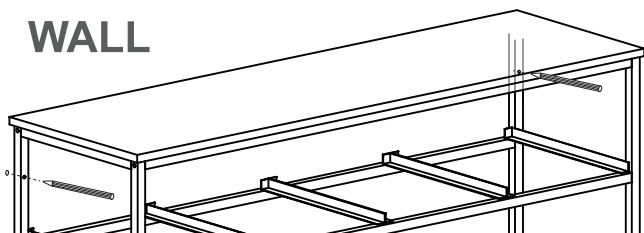
### NOTICE:

Electric drill is NOT included in the box.

1

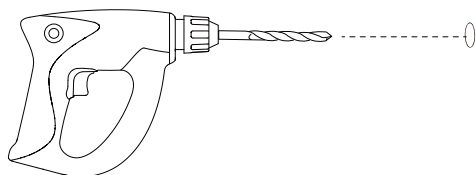
WALL

Place the rack against the wall, locate and mark out two holes.



2

WALL



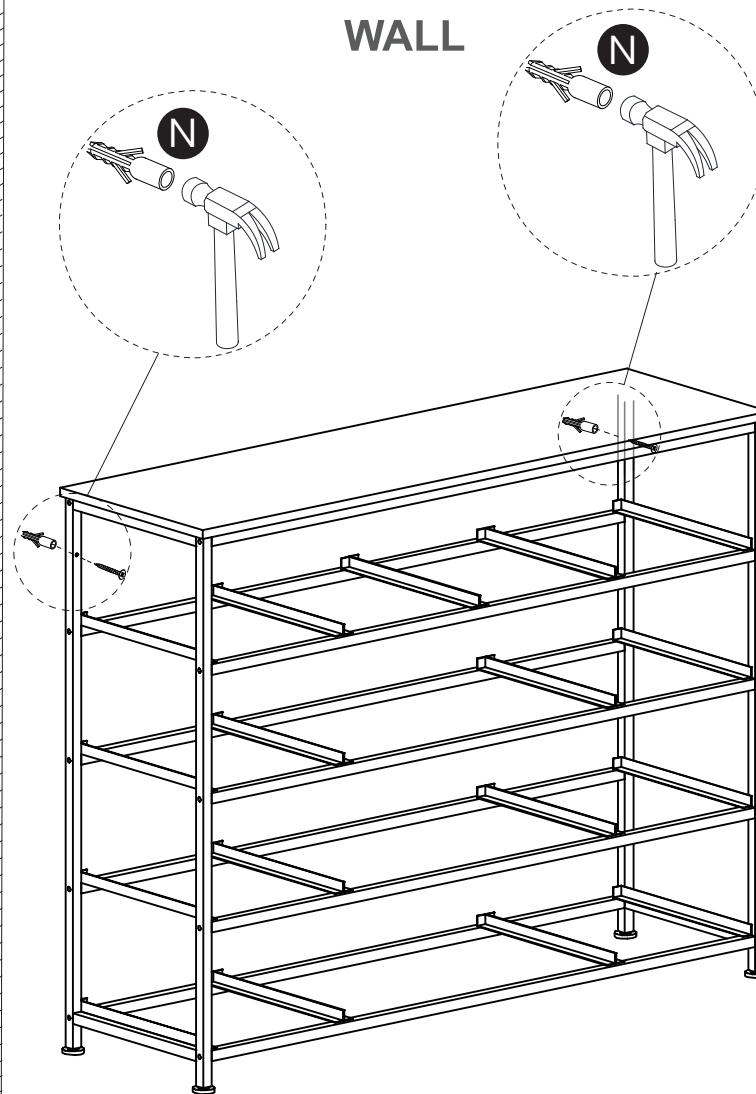
3

WALL



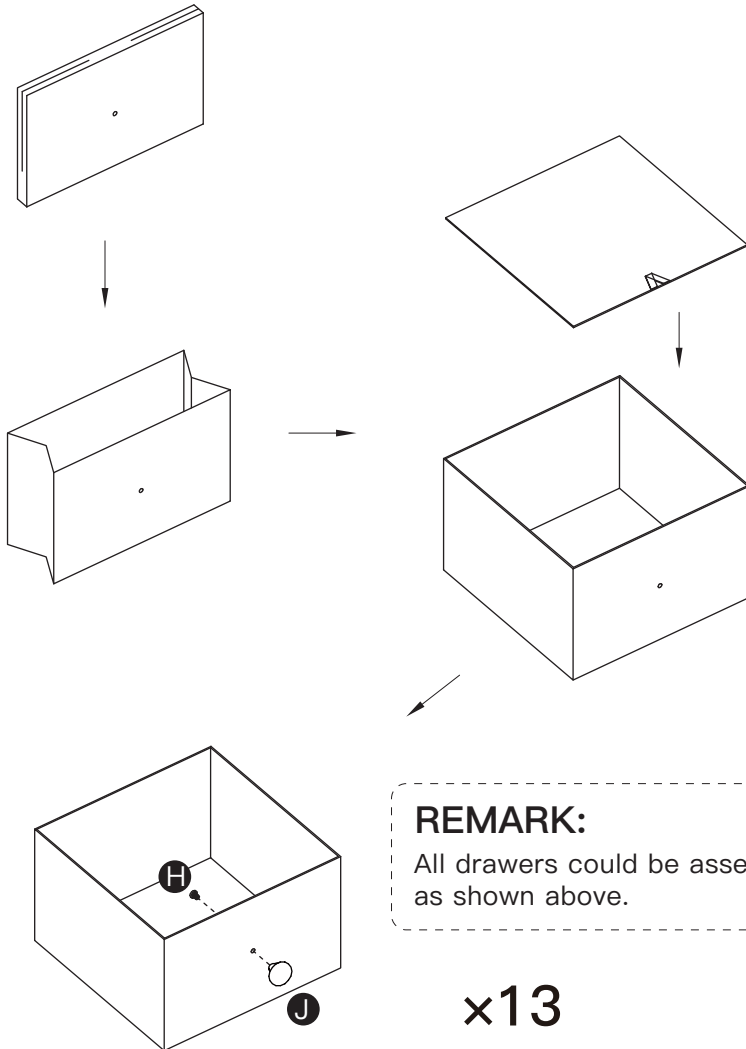
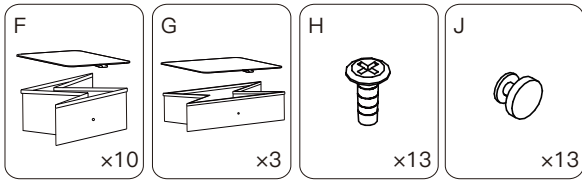
4

WALL



### Step 6

Open the drawers and put support boards inside, then install part **J** on the drawers with part **H**.



#### REMARK:

All drawers could be assembled as shown above.

x13

### Step 7

Put all drawers in.

