



BEAKMAN - LOW BOOKCASE

1500 x 400 x 710 mmH

ASSEMBLY INSTRUCTIONS



10 MIN



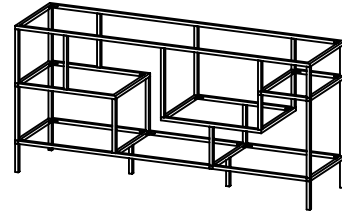
A x 1pc



B x 5pcs

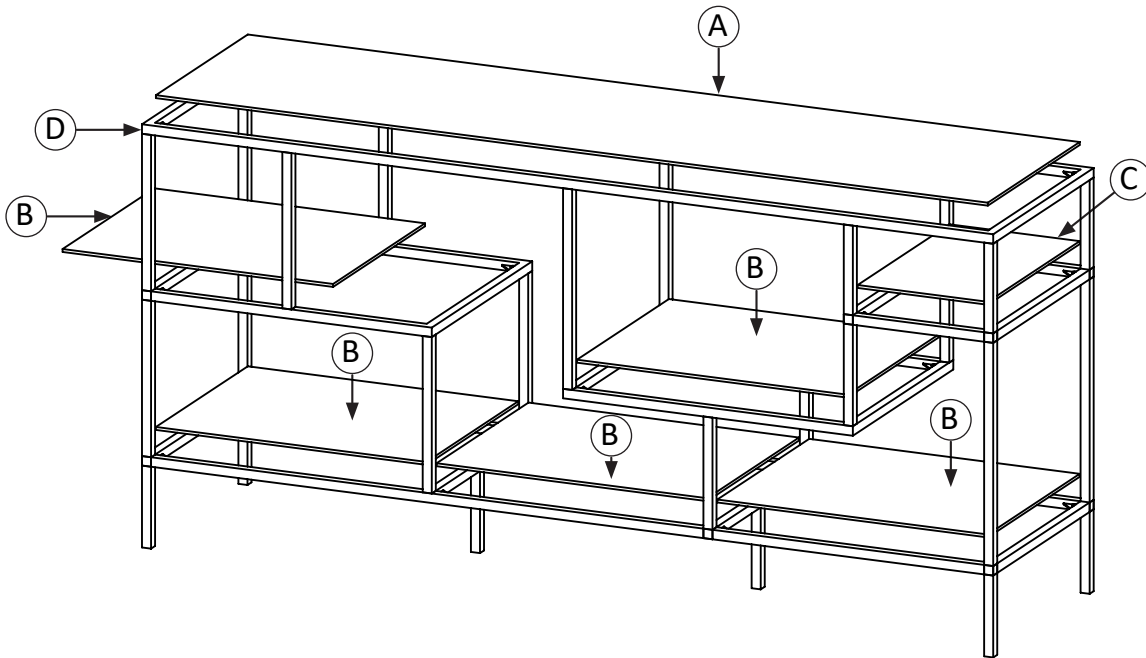


C x 1pc

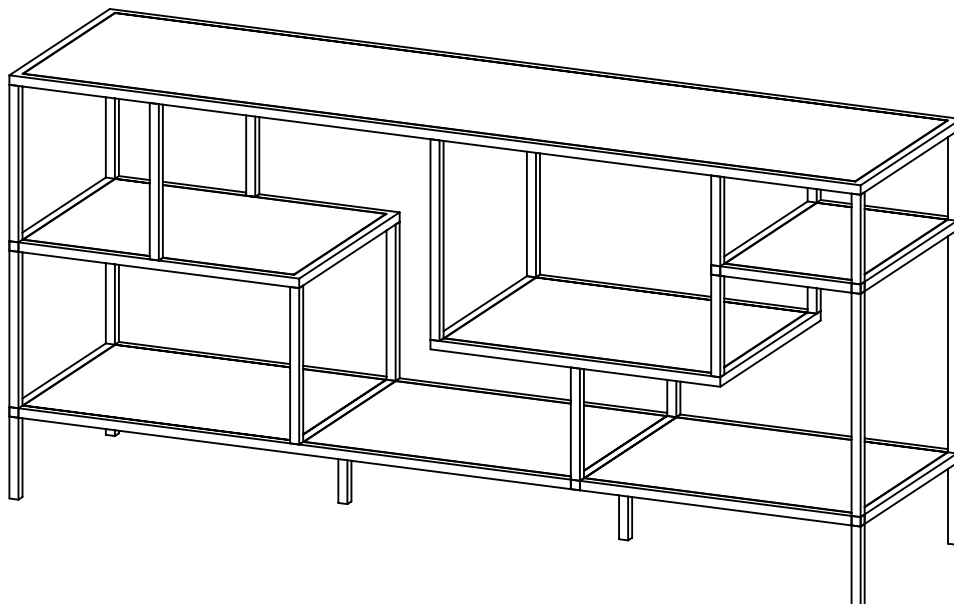


D x 1pc

Step 1



Step 2





BEAKMAN - LOW BOOKCASE

1500 x 400 x 710 mmH

ASSEMBLY INSTRUCTIONS

ADD ANTI - TIP



10 MIN



No.	Hardware	Q.ty
1 - Bracket		2 pcs
2 - Tie		2 pcs
3 - Screw M4 x 20		2 pcs
4 - Ribber		2 pcs

