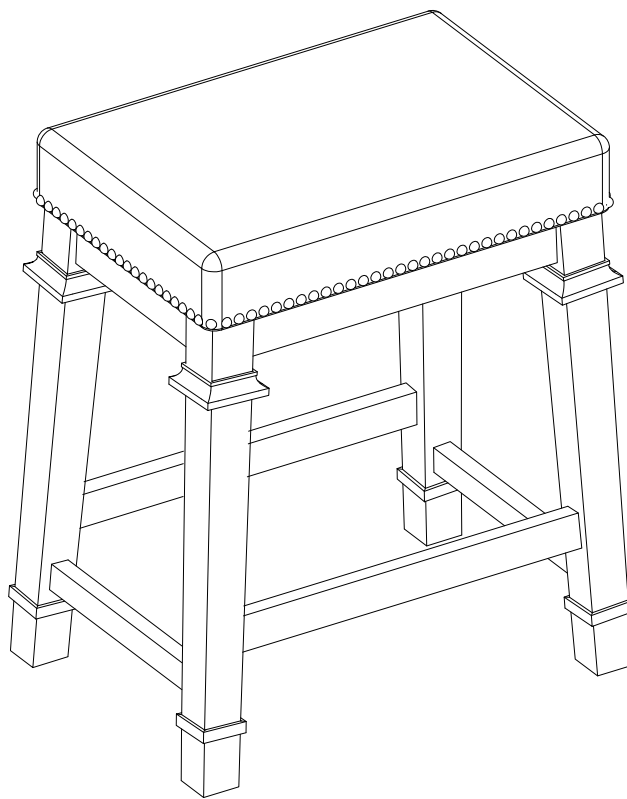


ASSEMBLY INSTRUCTIONS

BACKLESS COUNTER STOOL PU TABOURET DE COMPTOIR REMBOURRÉ SANS DOSSIER TABURETE DE BARRA RELLENO SIN RESPLADO



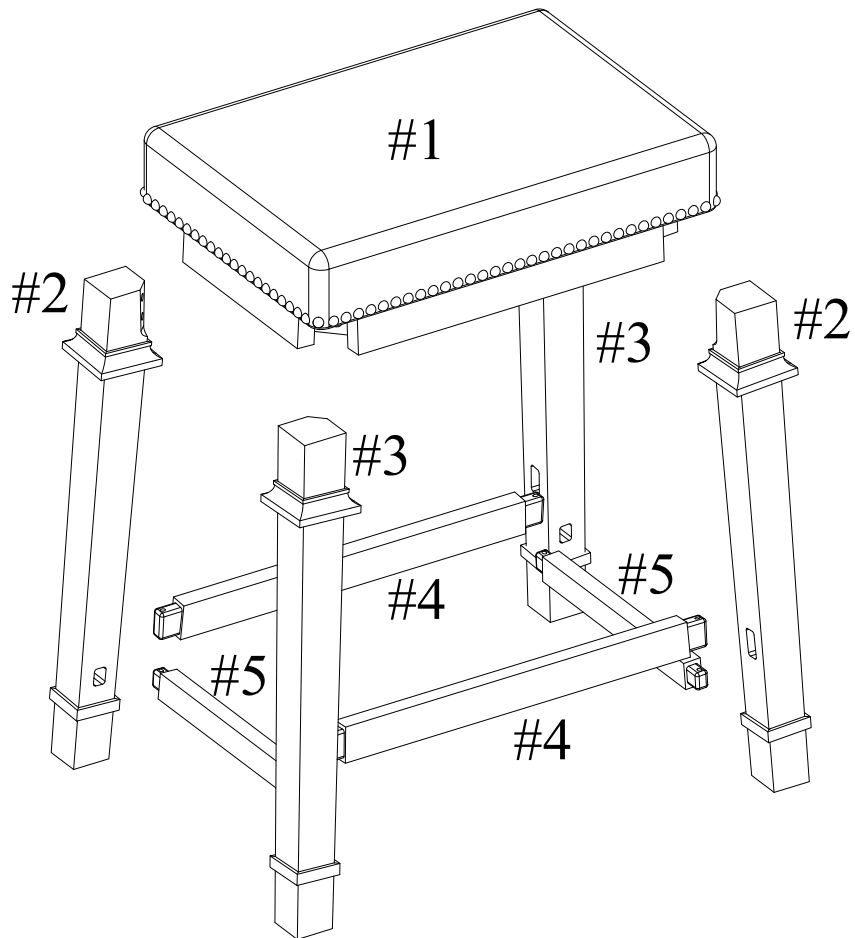
We are here to help !

We do our best to insure that your furniture arrives in excellent condition. In the event that a part is damaged or missing, we will be happy to provide you with replacement parts, at no charge, within 30 days of purchase, providing the parts are available in our warehouse and the item purchased is part of our current inventory. In order to receive spare parts, at no charge, you must provide proof of purchase within 30 days.

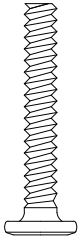
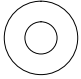

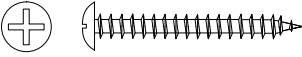

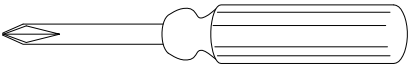
If you need assistance with assembly or replacement parts, please call Customer Service, prior to returning the item to the store.

PART IDENTIFICATION:

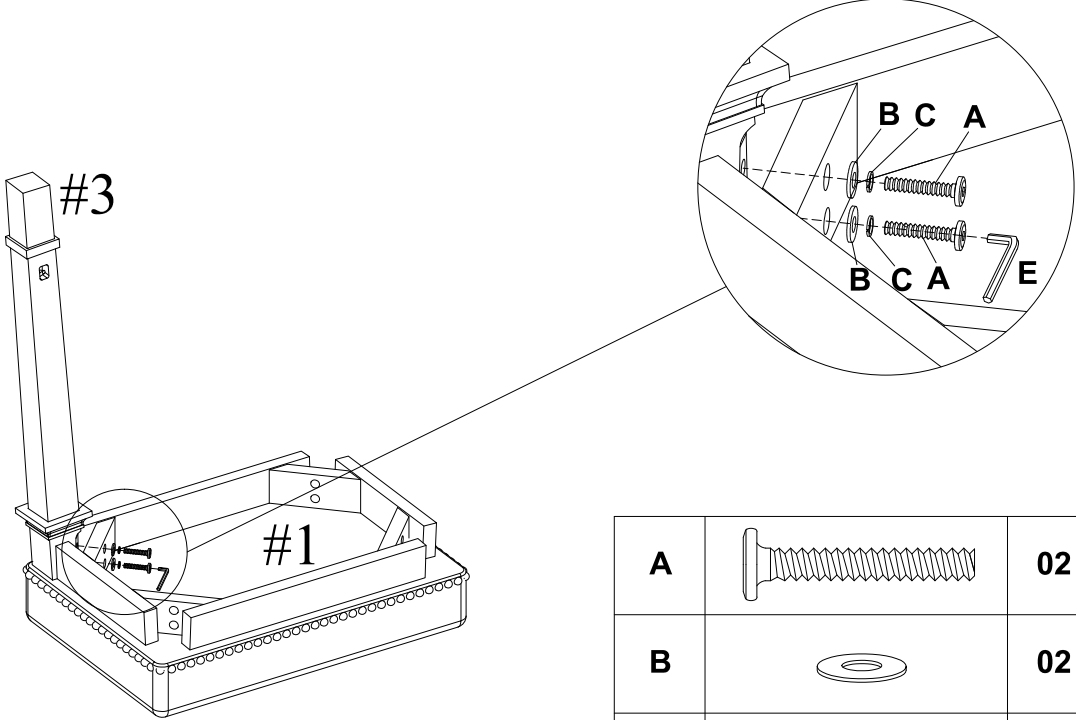
PARTS	DESCRIPTION	QTY
#1	SEAT	01
#2	LEGS	02
#3	LEGS	02
#4	FOOTREST	02
#5	SIDE STRETCHER	02

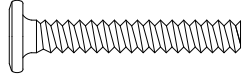





HARDWARE IDENTIFICATION:

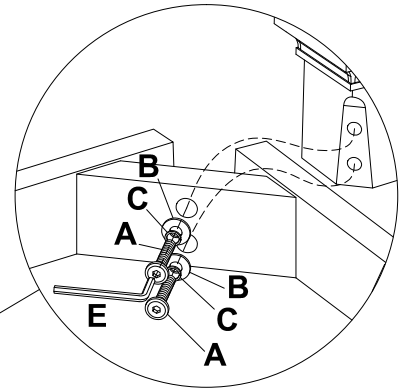
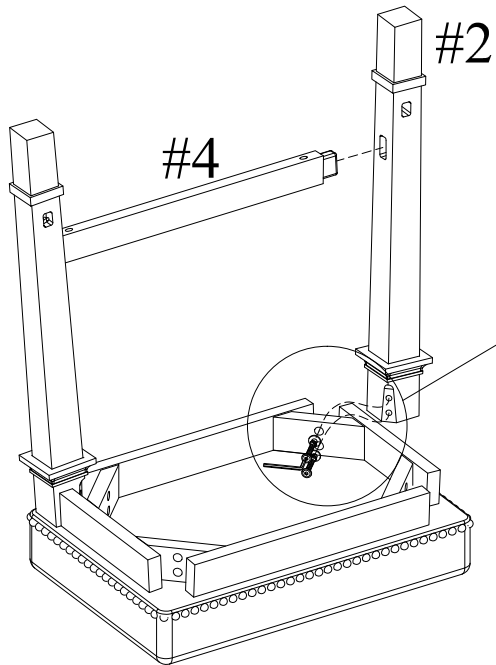
 A x 08 (Ø1/4" x 2-3/8"L)	 B x 08 (Ø1/4")	 C x 08 (Ø1/4")
 D x 08 (#4 x 2"L)	 E x 01 (Supplied) (Fourni) (Suministrado)	 F x 01 (Not Provided) (Non Fourni) (No Suministrado)

1.



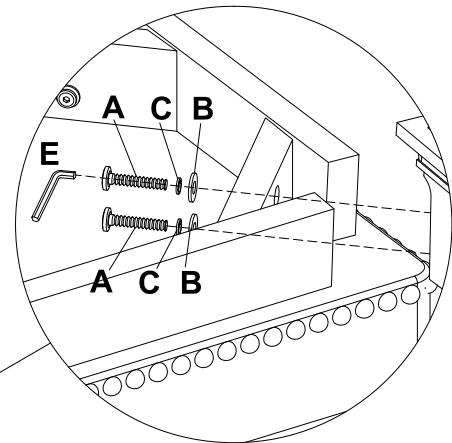
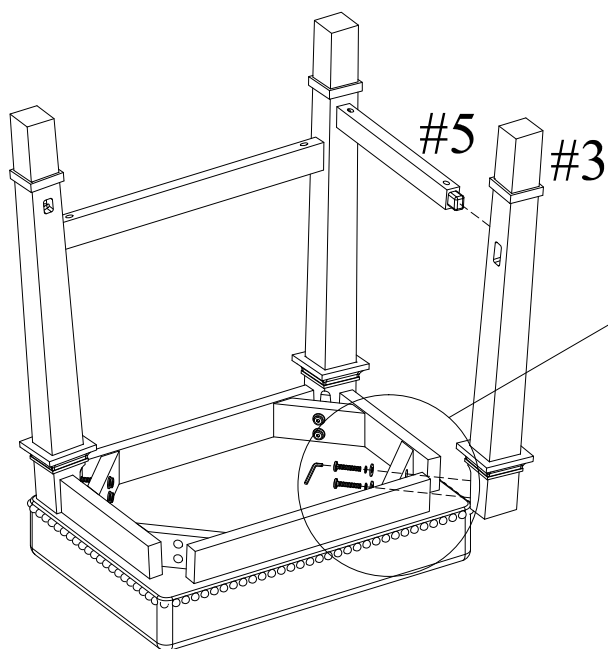
A		02
B		02
C		02
E		01

2.



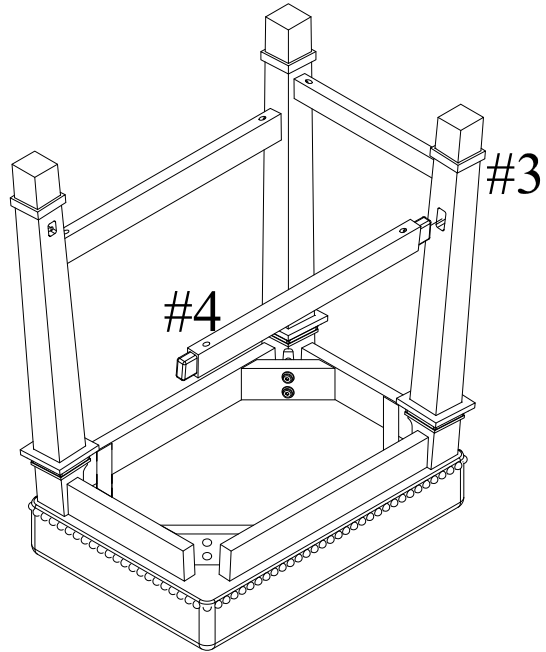
A		02
B		02
C		02
E		01

3.

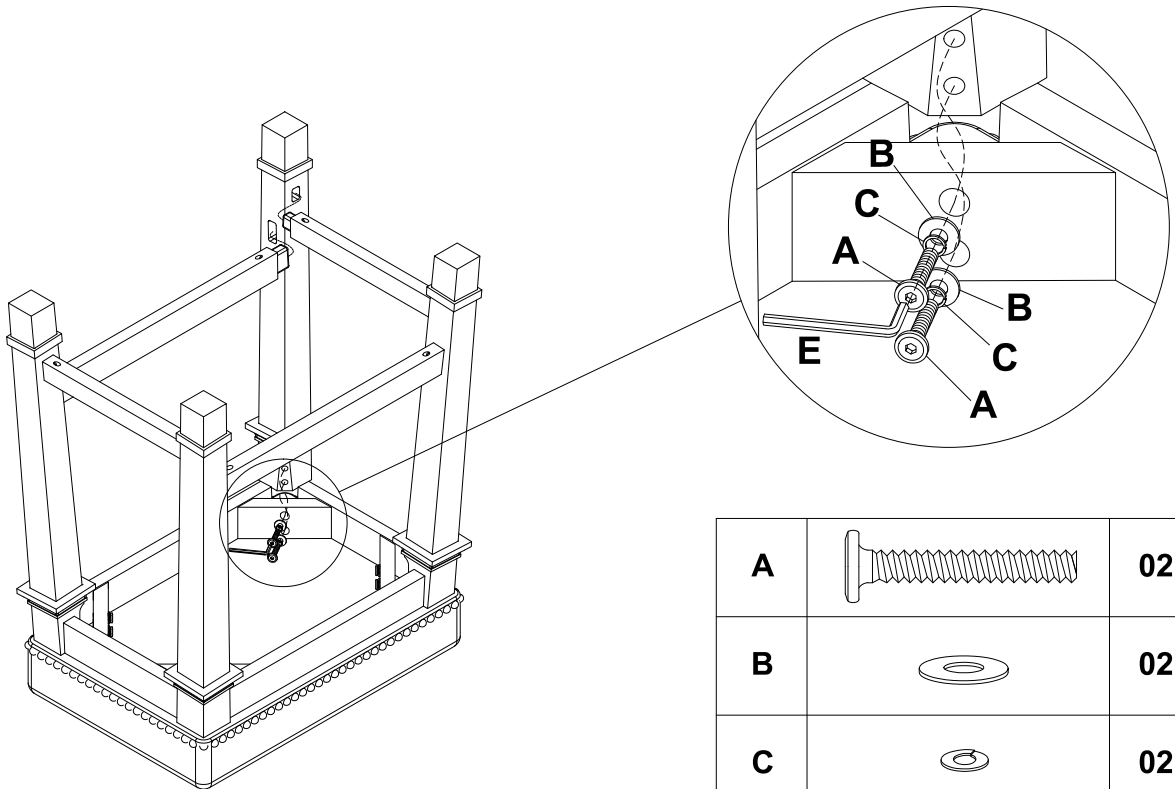


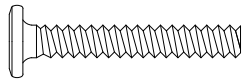



A		02
B		02
C		02
E		01

4.

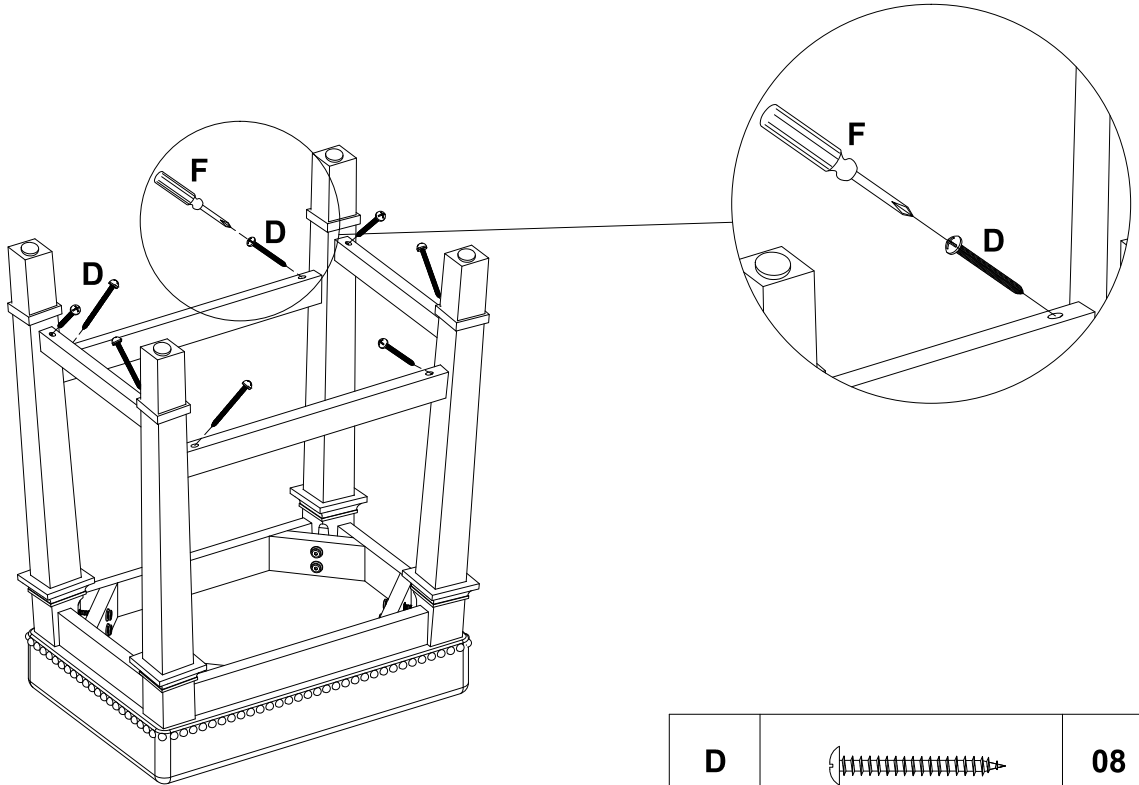


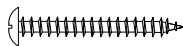

5.



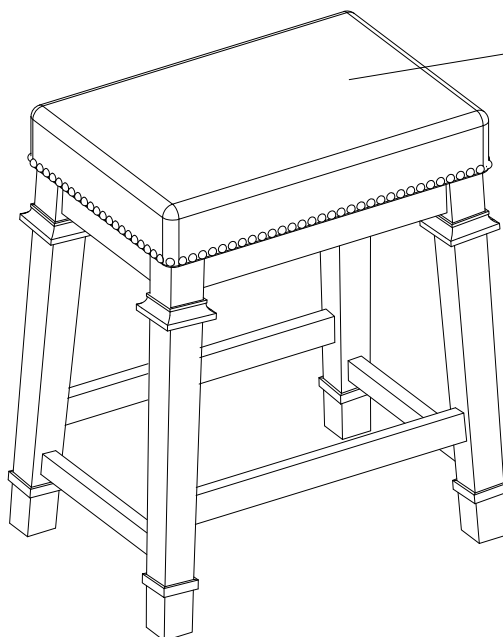
A		02
B		02
C		02
E		01

6.



D		08
F	 (Not Provided)	01

COMPLETED ASSEMBLY



WEIGHT LIMITS

SEAT: 275 LBS
COUVERCLE: 124,7 KG(275LB)
CUBIERTA: 124,7 KG(275LB)

LIMITED 6 MONTHS WARRANTY
GARANTIE LIMITÉE DE 6 MOIS
GARANTÍA LIMITADA DE 6 MESES

WHAT IS COVERED

This product is covered under our manufacturer's 6 months limited warranty. To ensure your complete satisfaction, this warranty is given to the original purchaser that the supplied item is free from defects in material and workmanship, as of the date of purchase, and that it will, under normal use and proper care, remain so for six months after the date of purchase.

Replacement of missing or initially defective parts will be sent, at no charge, for a period of 30 days from the date of purchase with valid proof of purchase providing the parts are available in our warehouse and the item purchased is part of our current inventory.

WHAT IS NOT COVERED

It remains the customer's responsibility for freight and packaging charges to and from the customer service center. Labor and material charges to remove or replace parts under this warranty are not covered.

This warranty does not cover: Furniture used for commercial purposes, failures caused by improper installation, assembly or by improper care, unreasonable or abusive use, freeze damage, acts of God, rust, purchased parts or return freight and packaging charges. Proof of purchase (dated register receipt) is required for this warranty claim.

HOW TO OBTAIN SERVICE

For further information, please contact our customer service department.

MADE IN VIETNAM
FABRIQUÉ EN VIETNAM
HECHO EN VIETNAM