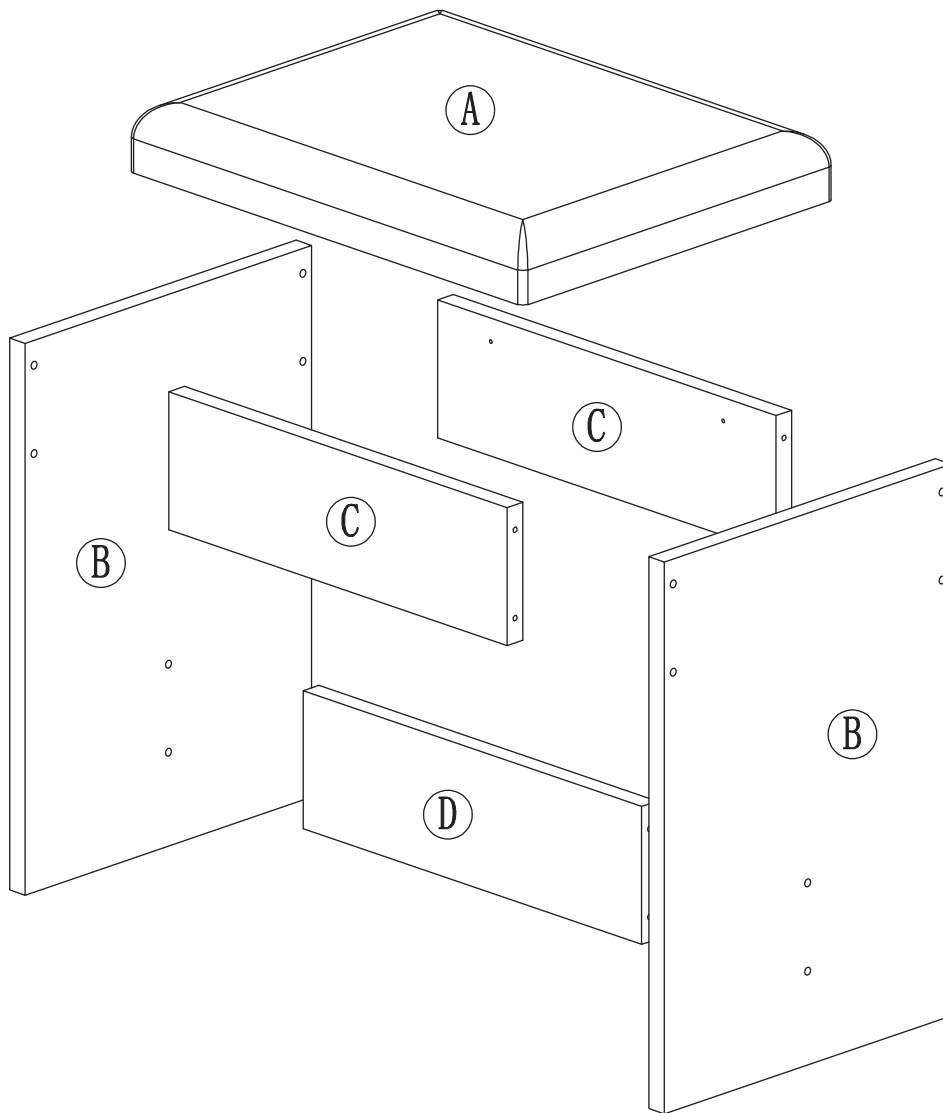


CHAIR

USER MANUAL

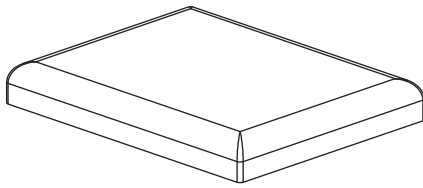
1

ASSEMBLY INSTRUCTIONS

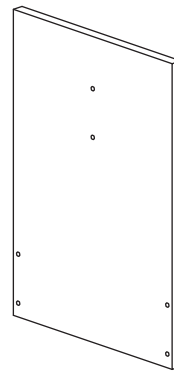


2

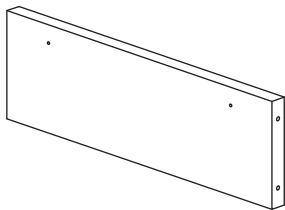
PARTS LIST



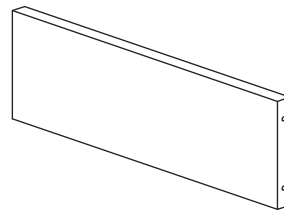
(A) *1PC



(B) *2PCS

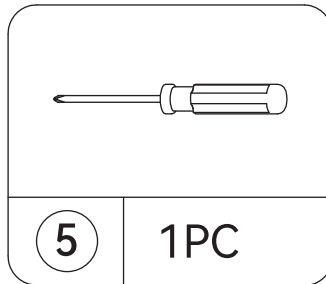
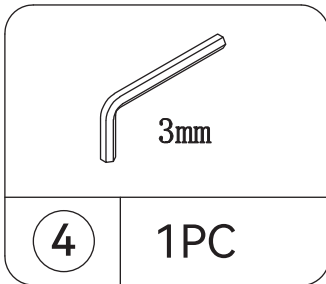
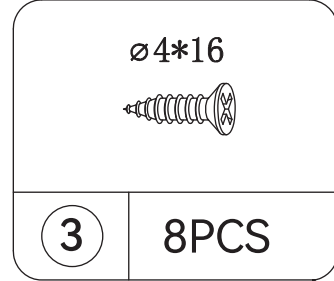
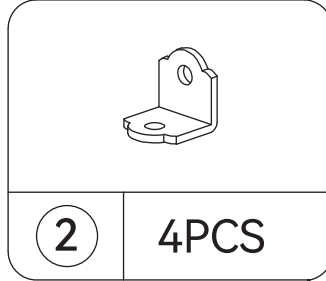
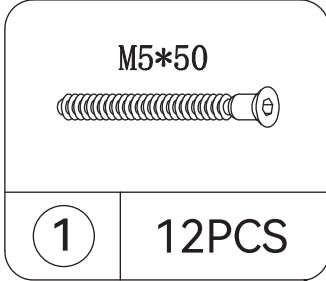


(C) *2PCS

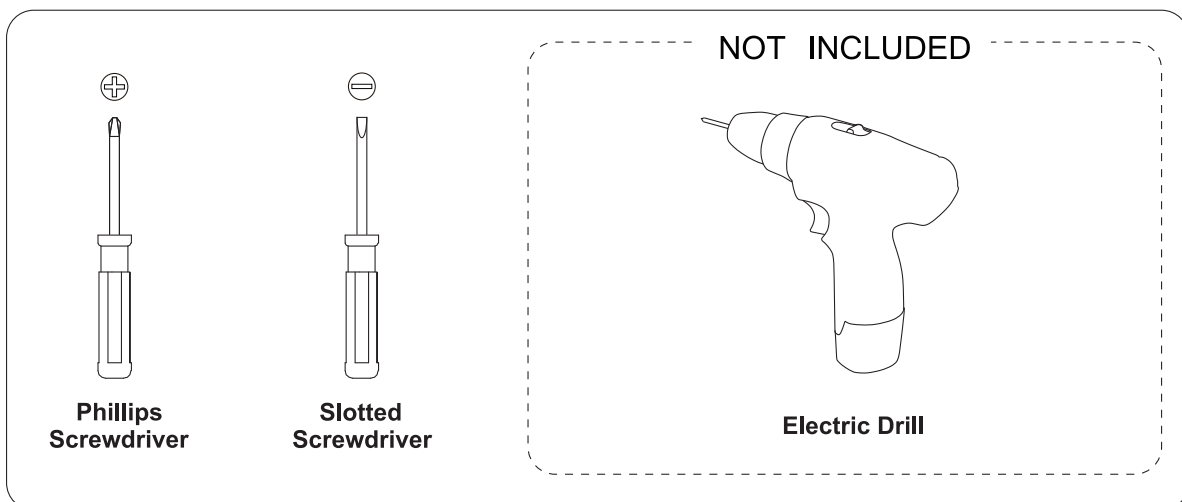


(D) *1PC

3

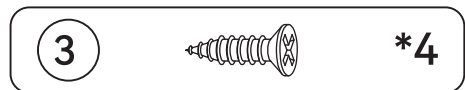
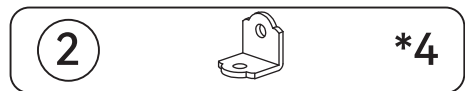
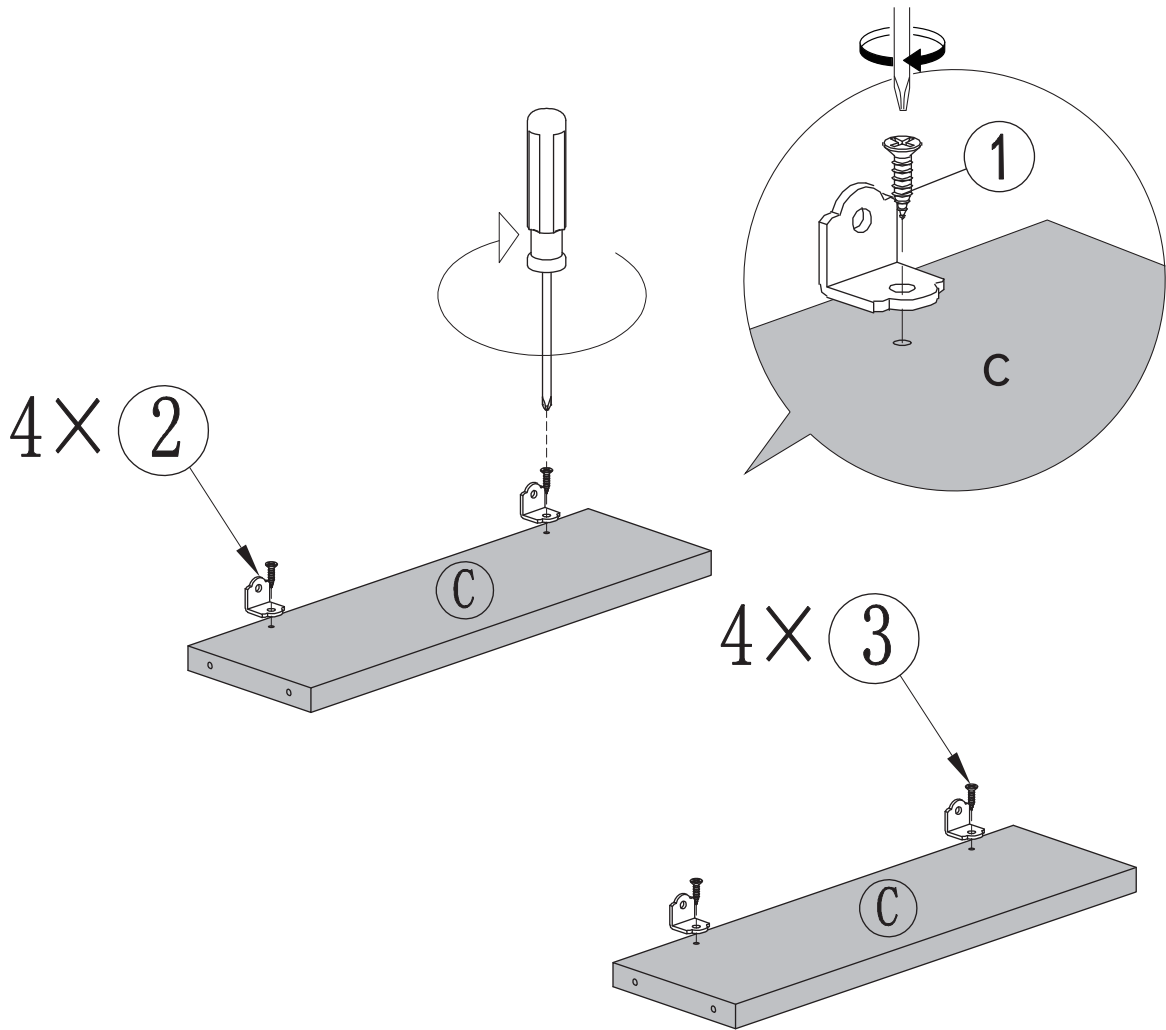


TOOL REQUIRED



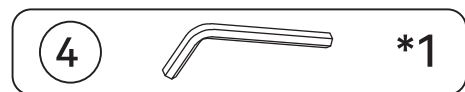
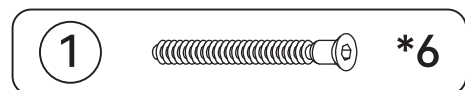
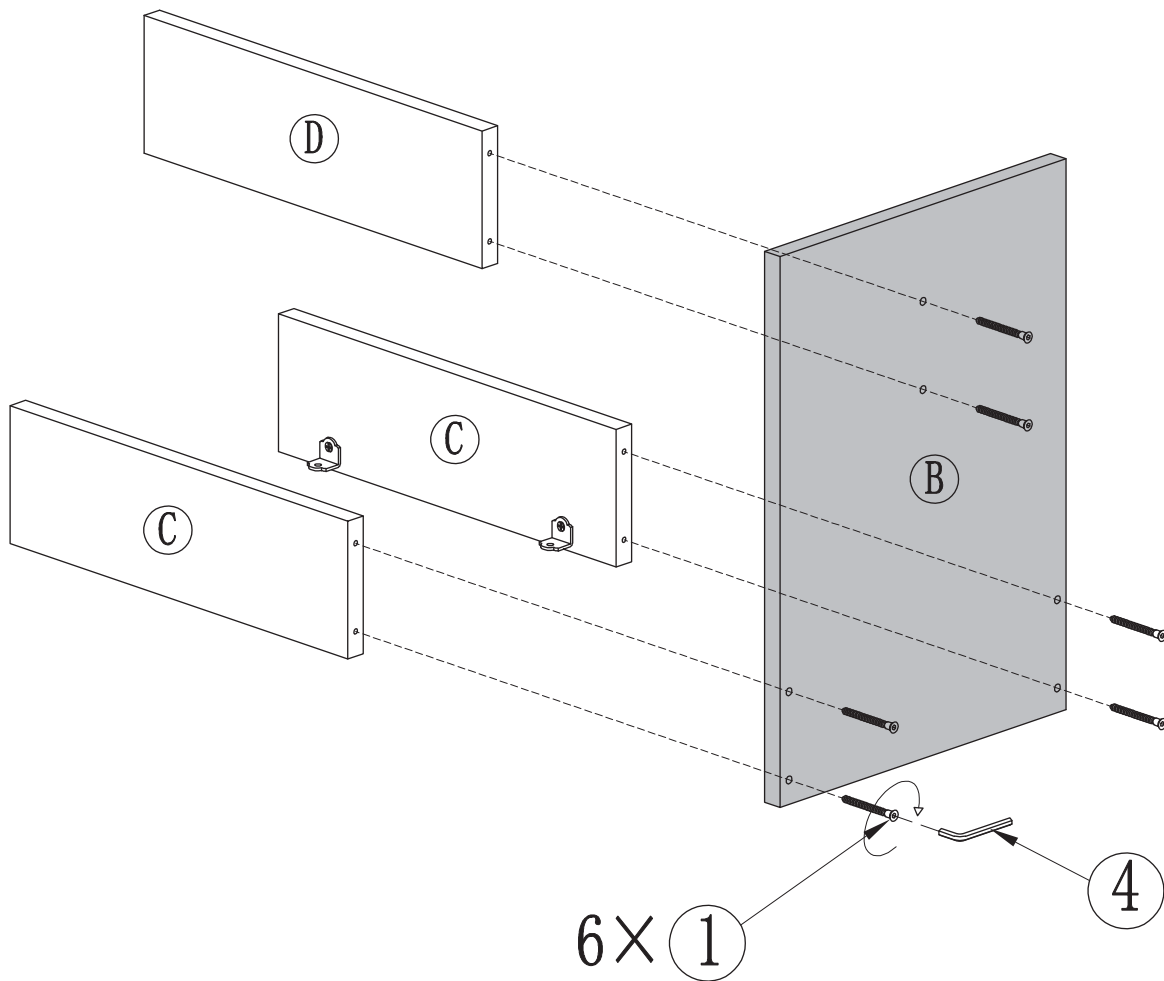
4

STEP 1



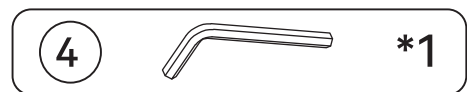
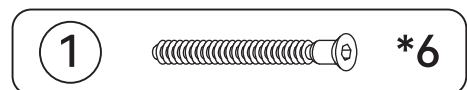
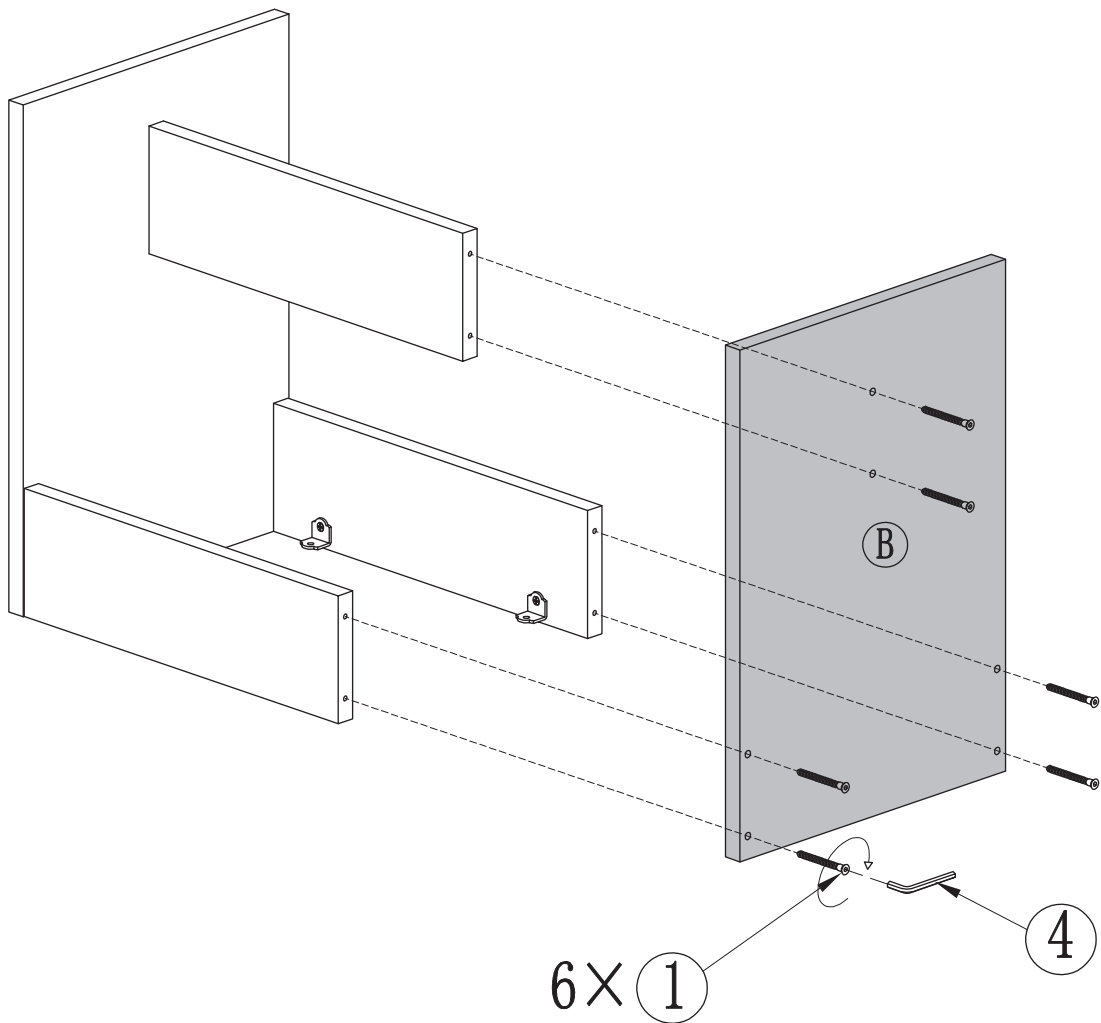
5

STEP 2



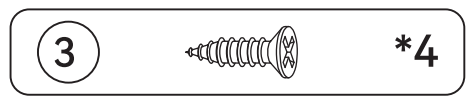
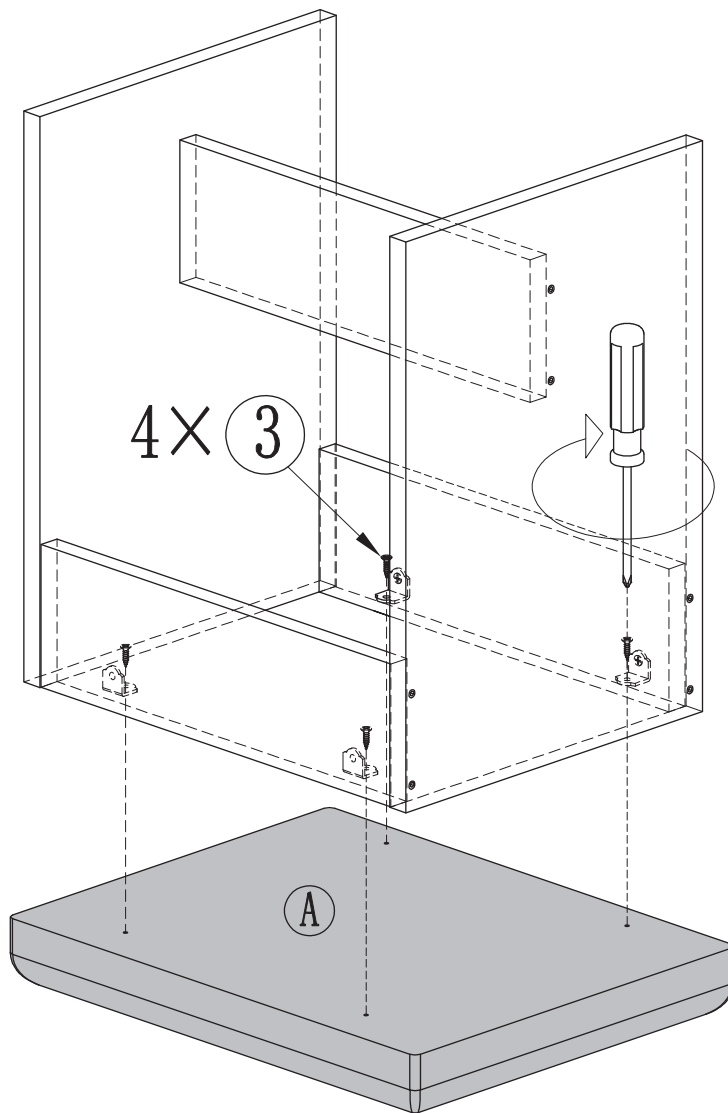
6

STEP 3



7

STEP 4



8

