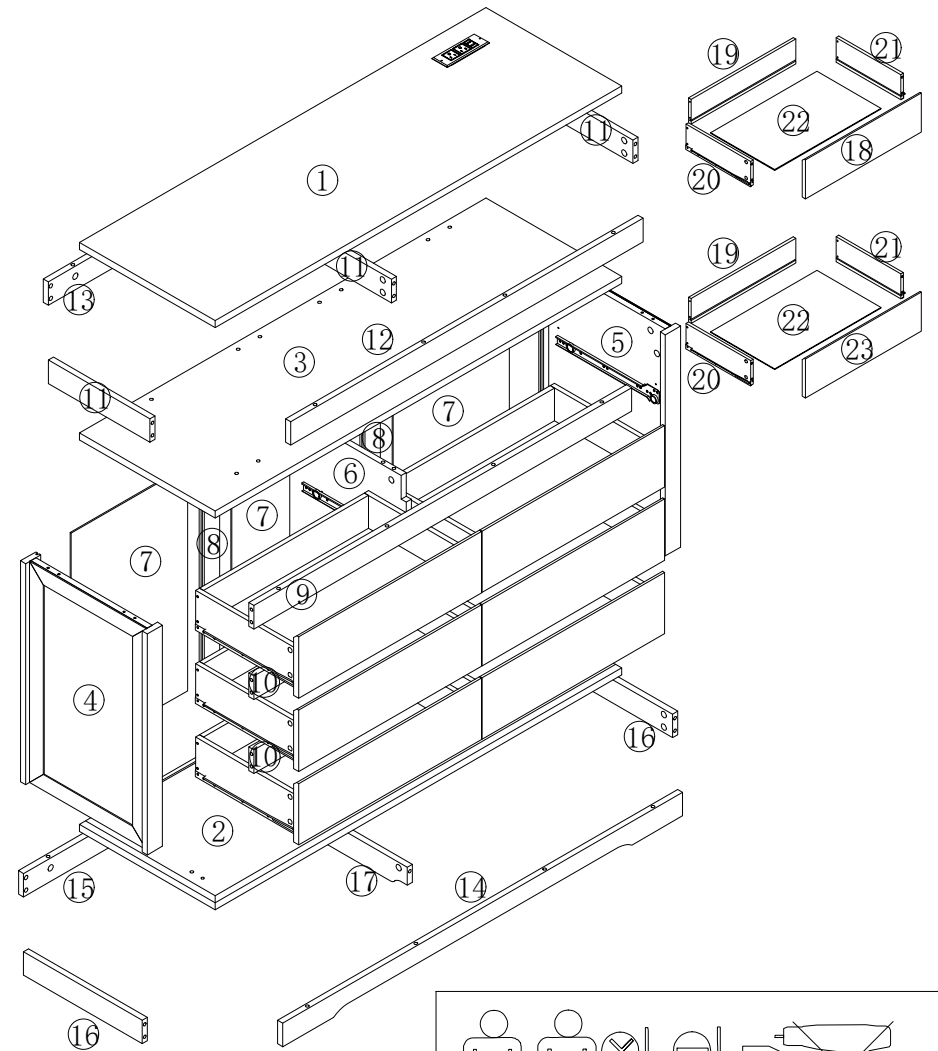
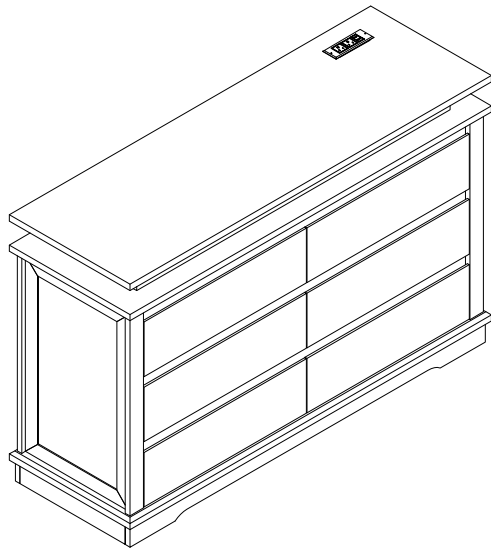


# ASSEMBLY INSTRUCTION

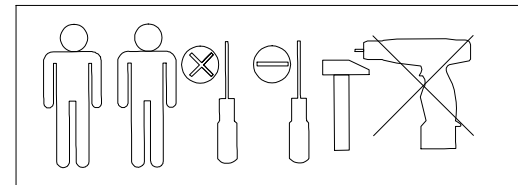
PRODUCT: Three drawer cabinet    SIZE: 1200\*400\*766

EDITION NO. A

1/7



<p><b>A</b></p> <p>L=40mm</p> <p>A1 A2 A3</p> <p>Ø15mm</p> <p>X63+1</p>	<p><b>B</b></p> <p>Ø12mm</p> <p>B1 B2</p> <p>X12+1</p>	<p><b>C</b></p> <p>Ø8*30mm</p> <p>X28+1</p>	<p><b>D</b></p> <p>Ø4*30mm</p> <p>X16+1</p>
<p><b>E</b></p> <p>5*12mm</p> <p>X24+1</p>	<p><b>F</b></p> <p>Ø16*0.5mm</p> <p>M8*58</p> <p>X16+1</p>	<p><b>G</b></p> <p>X3</p> <p>G2 G1</p> <p>X3</p>	<p><b>H</b></p> <p>X3</p> <p>H2 H1</p> <p>X3</p>
<p><b>I</b></p> <p>X1</p>	<p><b>J</b></p> <p>X1</p>		

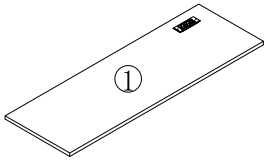
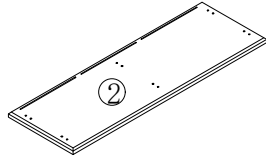
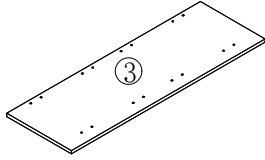
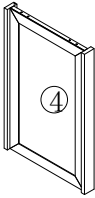
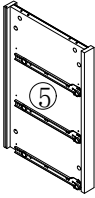
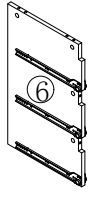

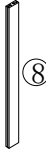
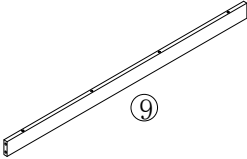
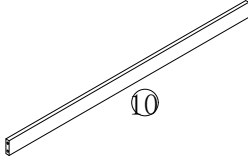
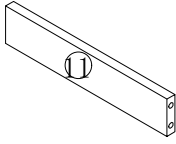
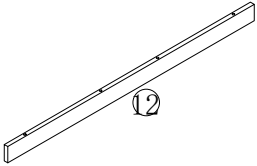
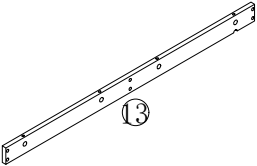
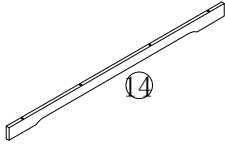
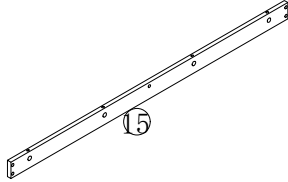
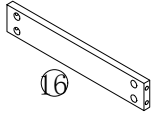
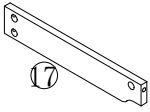
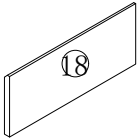
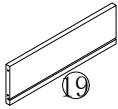
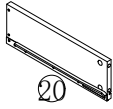
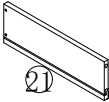

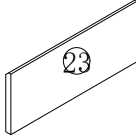


# ASSEMBLY INSTRUCTION

PRODUCT: Three drawer cabinet    SIZE: 1200\*400\*766

EDITION NO. A

2/7

 ① X1	 ② X1	 ③ X1	 ④ X1	 ⑤ X1	 ⑥ X1
 ⑦ X3	 ⑧ X2	 ⑨ X1	 ⑩ X2	 ⑪ X2	 ⑫ X1
 ⑬ X1	 ⑭ X1	 ⑮ X1	 ⑯ X2	 ⑰ X1	 ⑱ X3
 ⑲ X6	 ⑳ X6	 ㉑ X6	 ㉒ X6	 ㉓ X3	

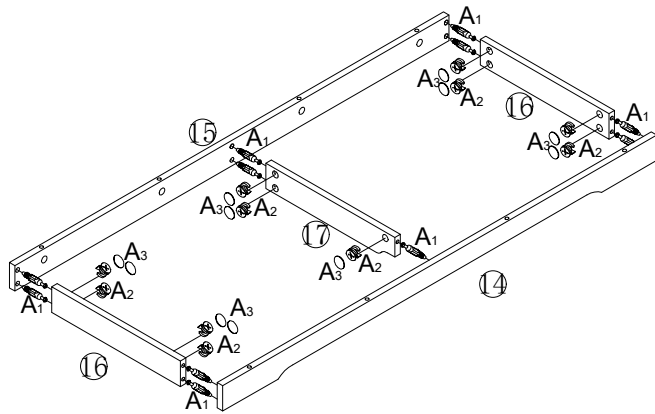
# ASSEMBLY INSTRUCTION

PRODUCT: Three drawer cabinet    SIZE: 1200\*400\*766

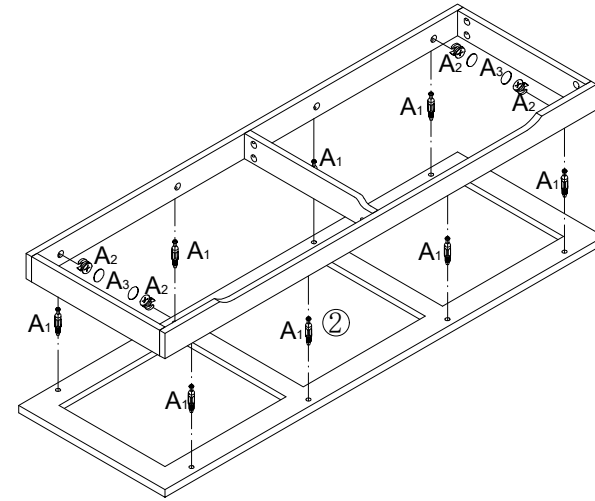
EDITION NO. A

3/7

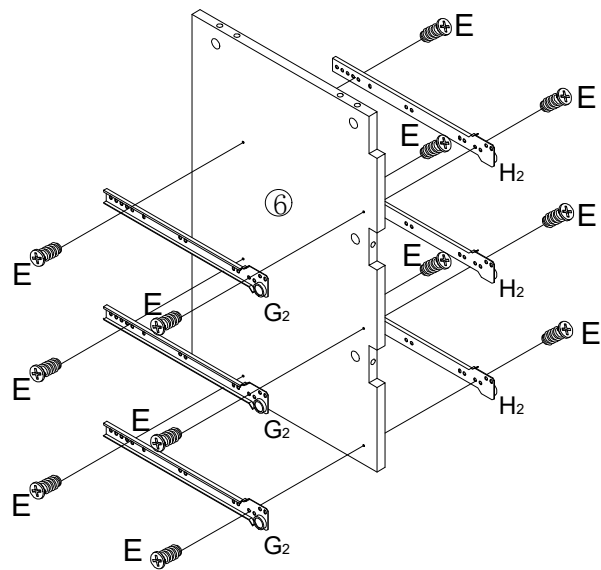
STEP 1



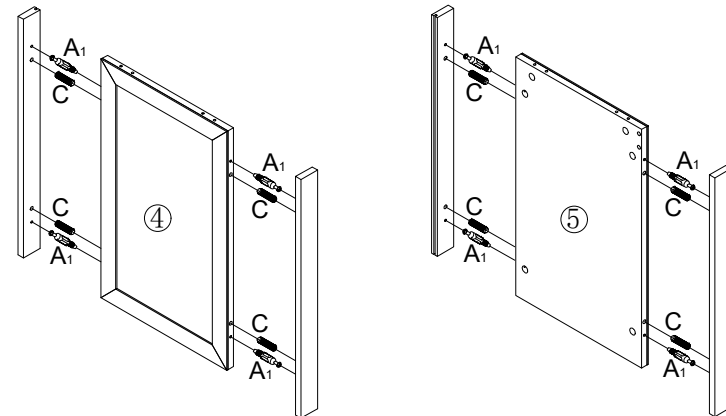
STEP 2



STEP 3



STEP 4



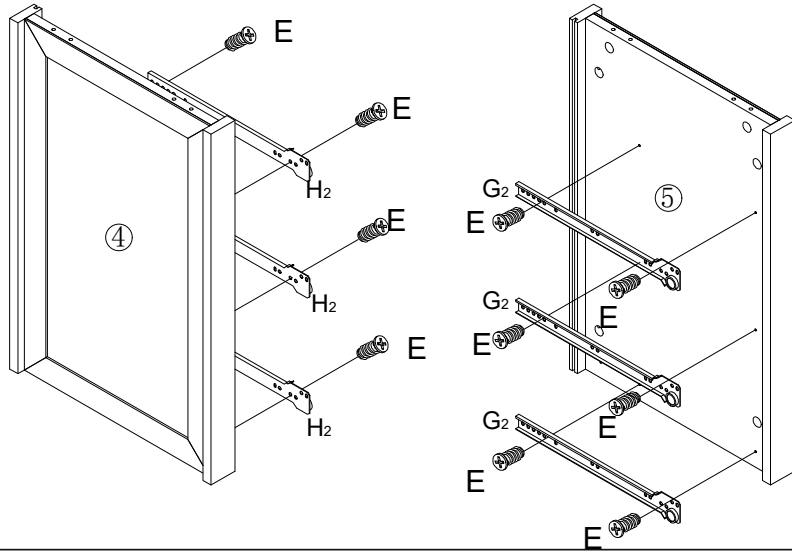
# ASSEMBLY INSTRUCTION

PRODUCT: Three drawer cabinet    SIZE: 1200\*400\*766

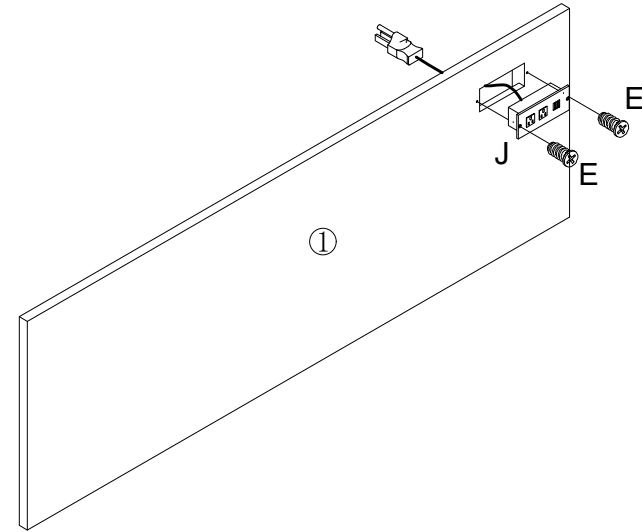
EDITION NO. A

4/7

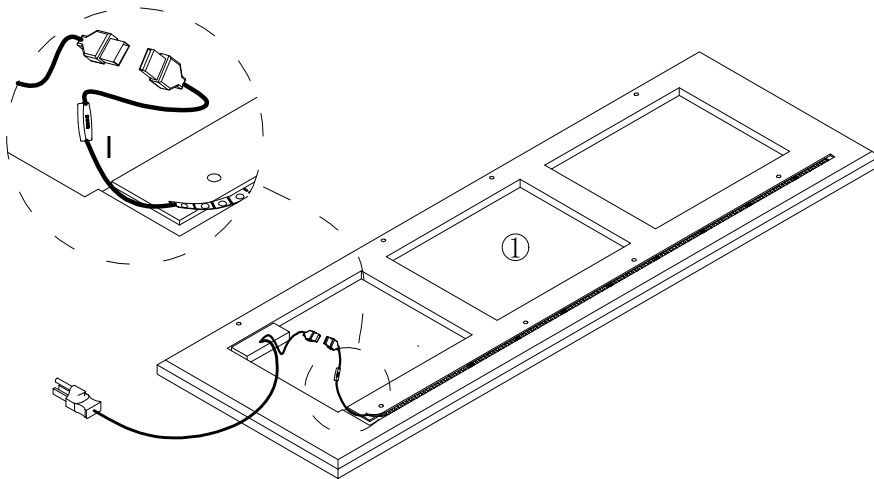
STEP 5



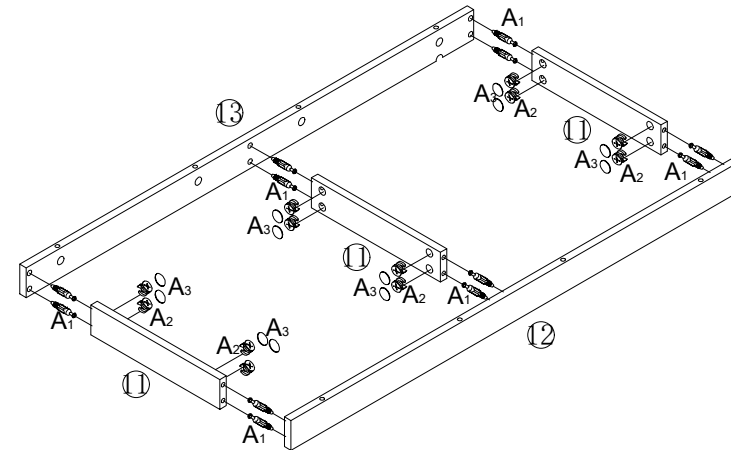
STEP 6



STEP 7



STEP 8



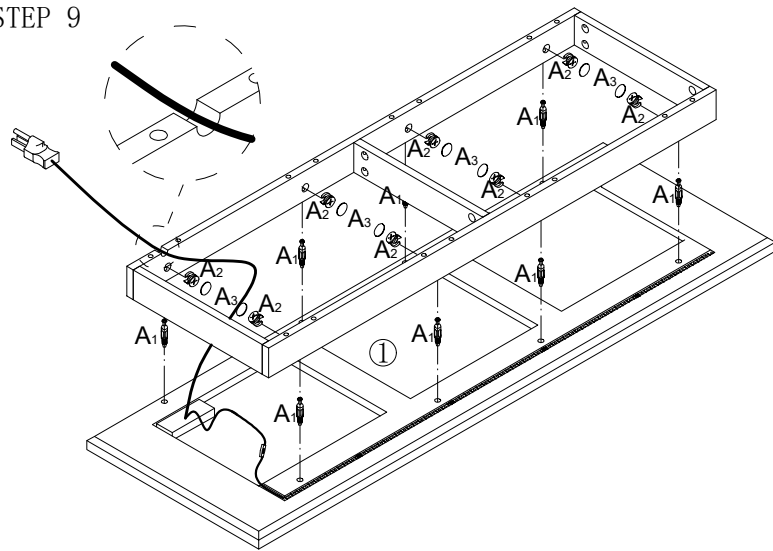
# ASSEMBLY INSTRUCTION

PRODUCT: Three drawer cabinet    SIZE: 1200\*400\*766

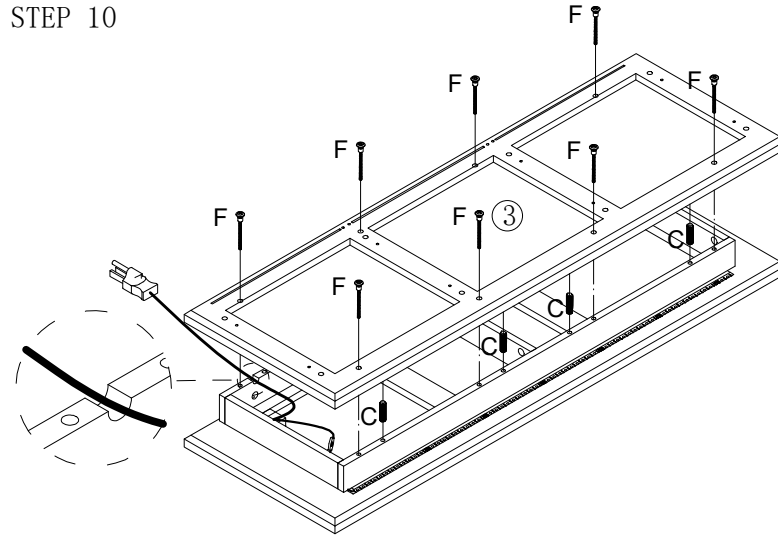
EDITION NO. A

5/7

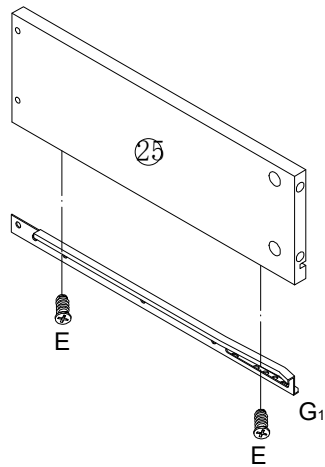
STEP 9



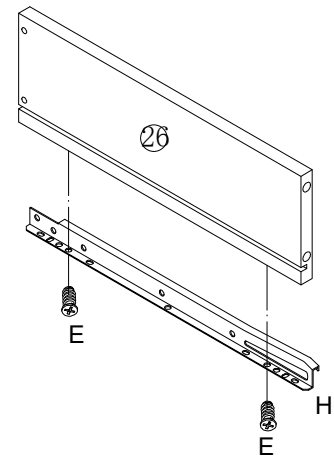
STEP 10



STEP 11



STEP 12



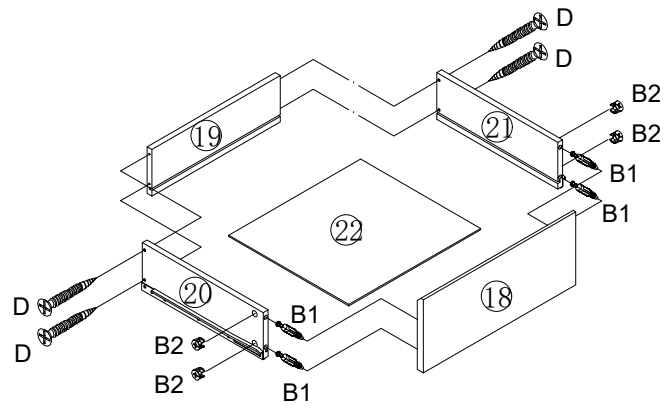
# ASSEMBLY INSTRUCTION

PRODUCT: Three drawer cabinet

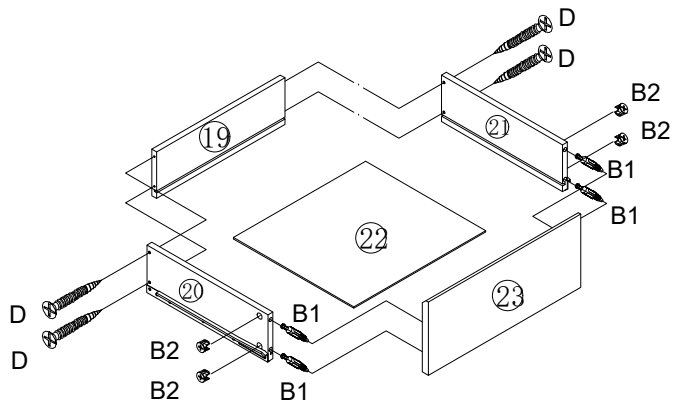
EDITION NO. A

6/7

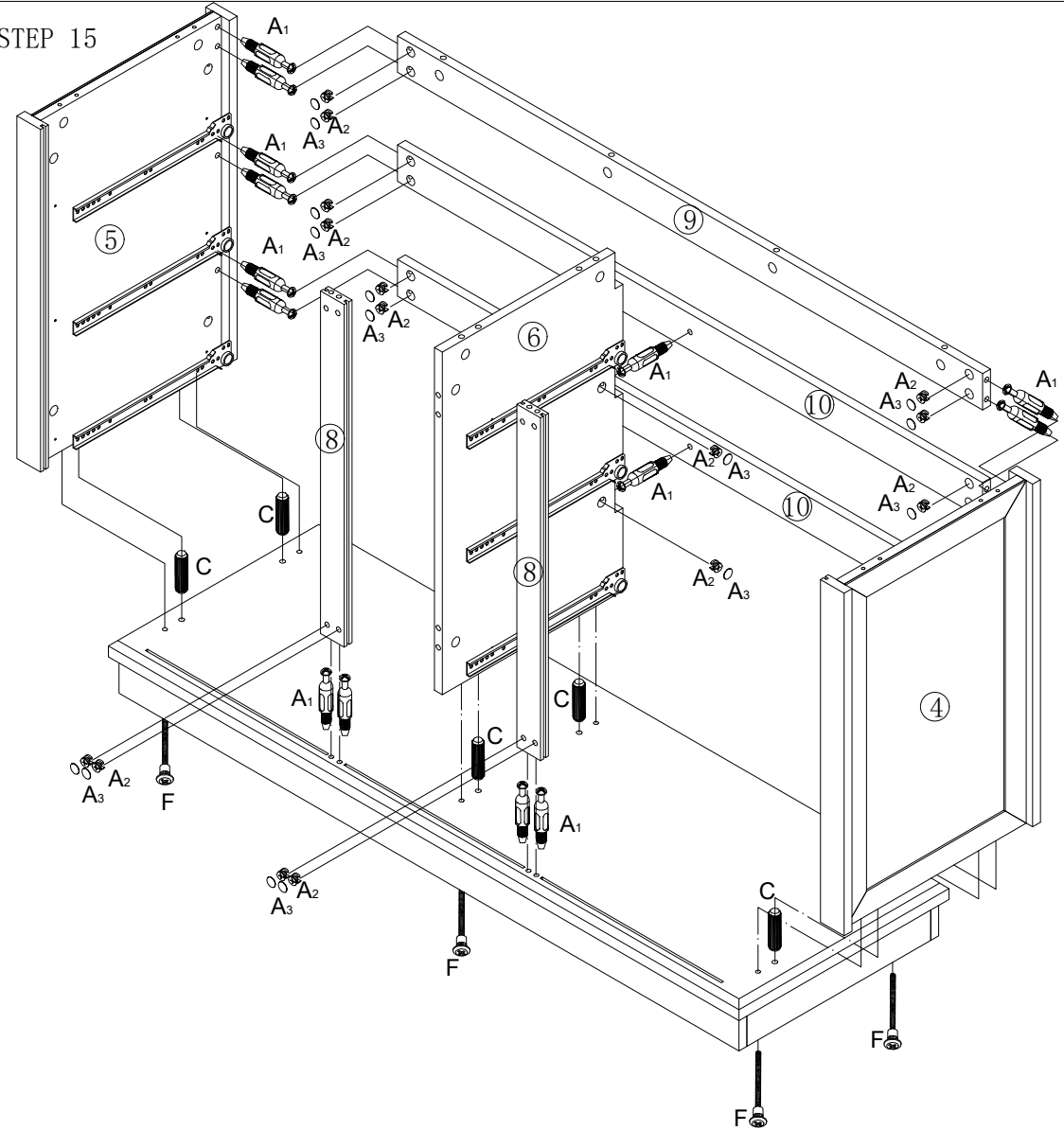
STEP 13



STEP 14



STEP 15



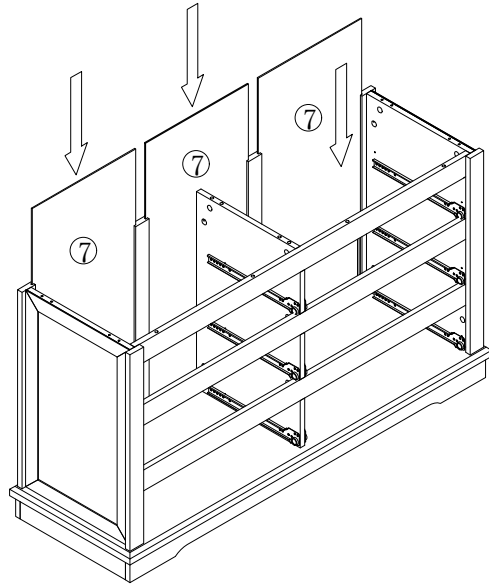
# ASSEMBLY INSTRUCTION

PRODUCT: Three drawer cabinet    SIZE: 1200\*400\*766

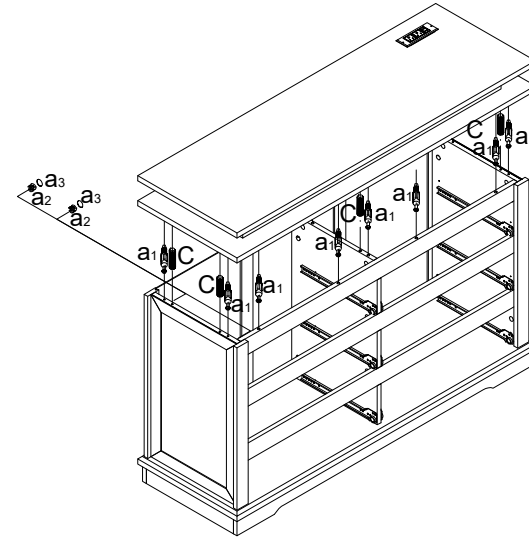
EDITION NO. A

7/7

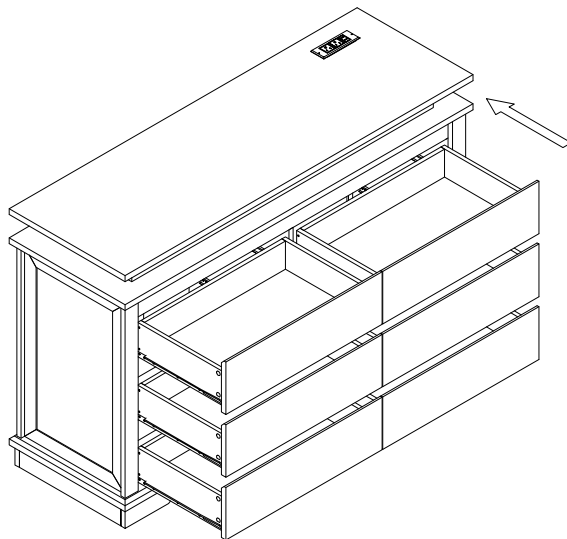
STEP 16



STEP 17



STEP 18



STEP 19

