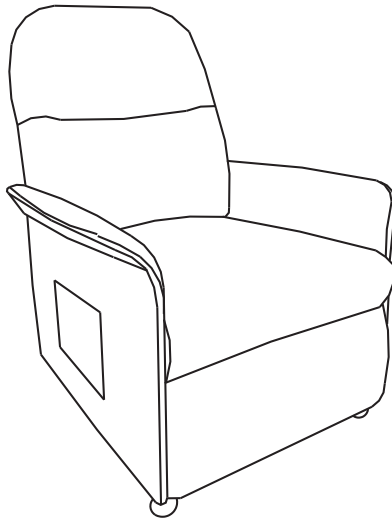


Assembly Instructions

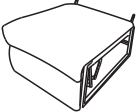
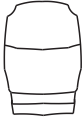
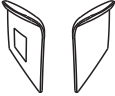




Friendly Reminder:

1. **Patience with Cushions:** The cushions are vacuum-sealed and may look wrinkled at first— don't worry! Give them up to 72 hours to air out, and they'll plump up to their full, comfy shape.
2. **Build First, Unpack After:** For the easiest setup, assemble the sofa frame completely before unsealing the compressed cushions.
3. **Need Help?** If any parts are missing or damaged (please take photos for reference), feel free to contact us— our support team will assist you promptly!



Thanks for choosing us—Your comfort zone starts here!



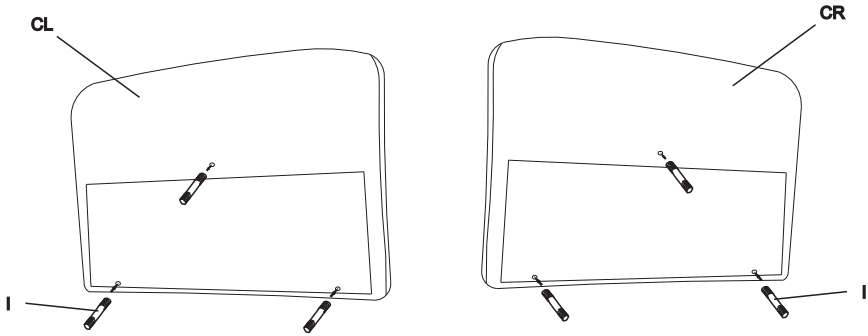
PARTSLIST

<p>Ax1</p>  <p>1pc</p>	<p>Bx1</p>  <p>1pc</p>	<p>Cx1PAIRS</p>  <p>CL CR</p>	<p>Dx1</p>  <p>1pc</p>
<p>Ex1</p>  <p>1pc</p>	<p>Fx1</p>  <p>1pc</p>	<p>Gx4</p>  <p>4pcs</p>	

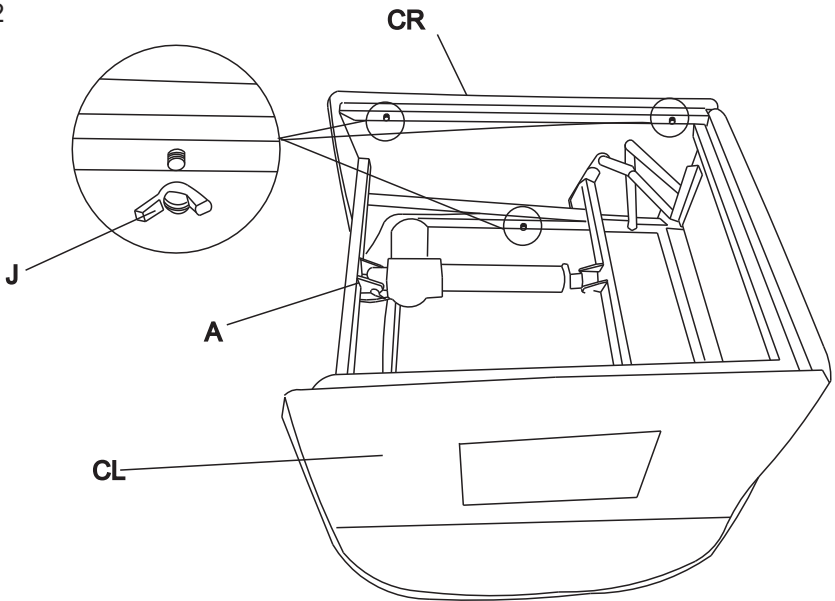
HARDWARE

<p>Ix6</p>  <p>6pcs</p>	<p>Jx6</p>  <p>6pcs</p>
---	---

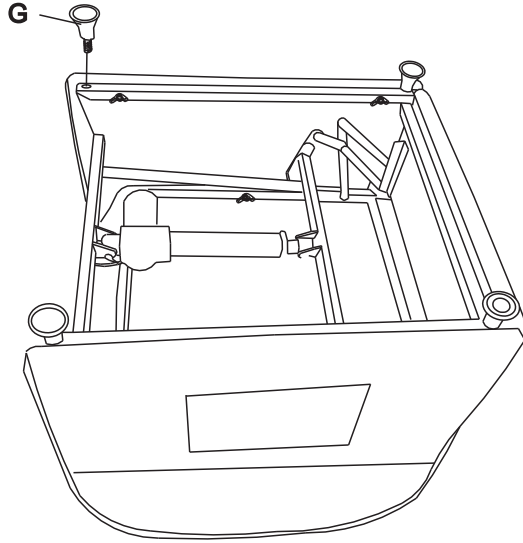
STEP1



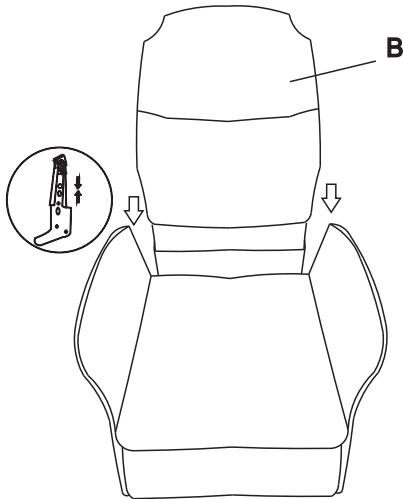
STEP2



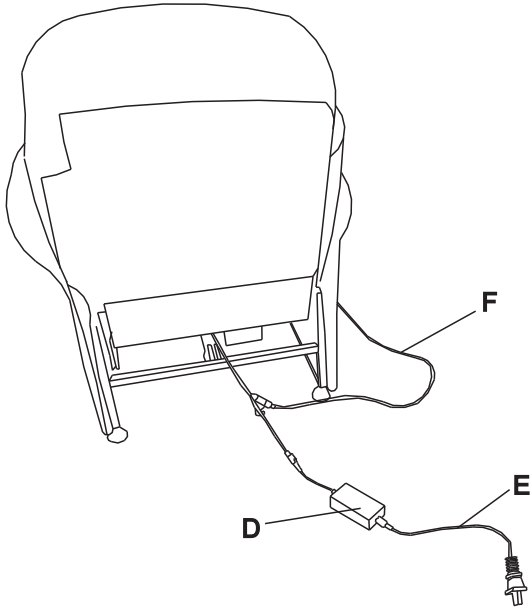
STEP3



STEP4



STEP5



STEP6

