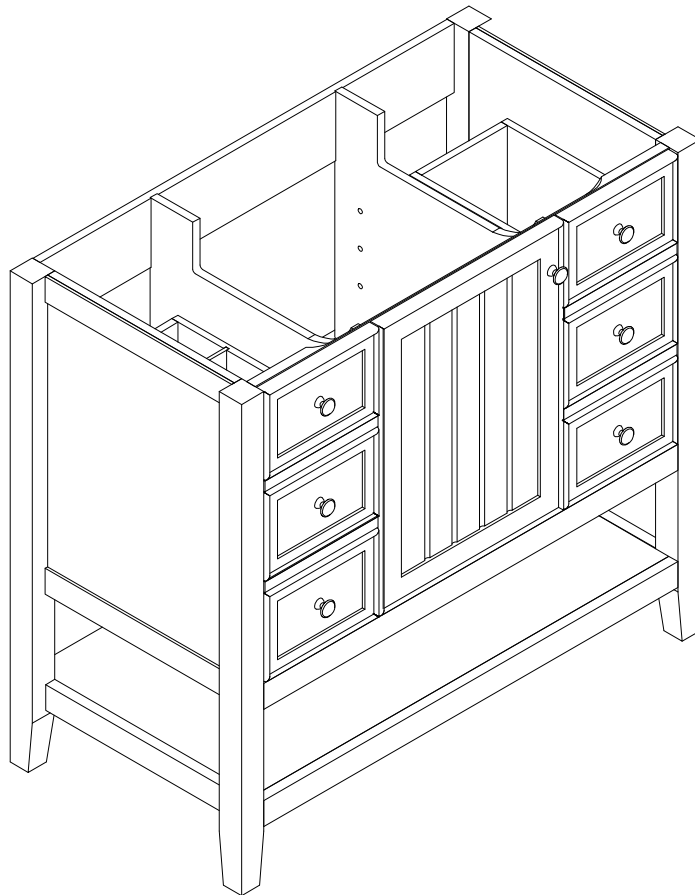


# User's Manual

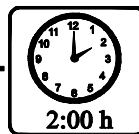
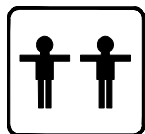


Thank you for purchasing this quality product. Be sure to check all packing material carefully for small parts which may have come loose inside the carton during shipment. Separate, identify and count all parts and hardware.

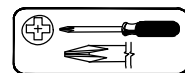
Compare with the parts list to be sure all parts are present.

**"DO NOT TIGHTEN SCREWS UNTIL COMPLETELY ASSEMBLED"**

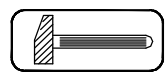
**\* Use of power tool to assemble this product will invalidate any claim and damage this product making unsafe !!!**  
**\* Please assemble on a clean soft surface to avoid damage.**



## Tools Required



(Not included)



(Not included)

**IMPORTANT:**

**PLEASE READ INSTRUCTION BEFORE STARTING THE ASSEMBLY**

**Thank you for buying our products.**

**Please read the installation manual carefully before installation,**

**we need you to follow the instructions on the accessories and hardware**

**step by step assembly complete, our instructions are very detailed.**

**Products are environmentally friendly products,**

**Please rest assured that you do not soak in water, do not place very heavy items,**

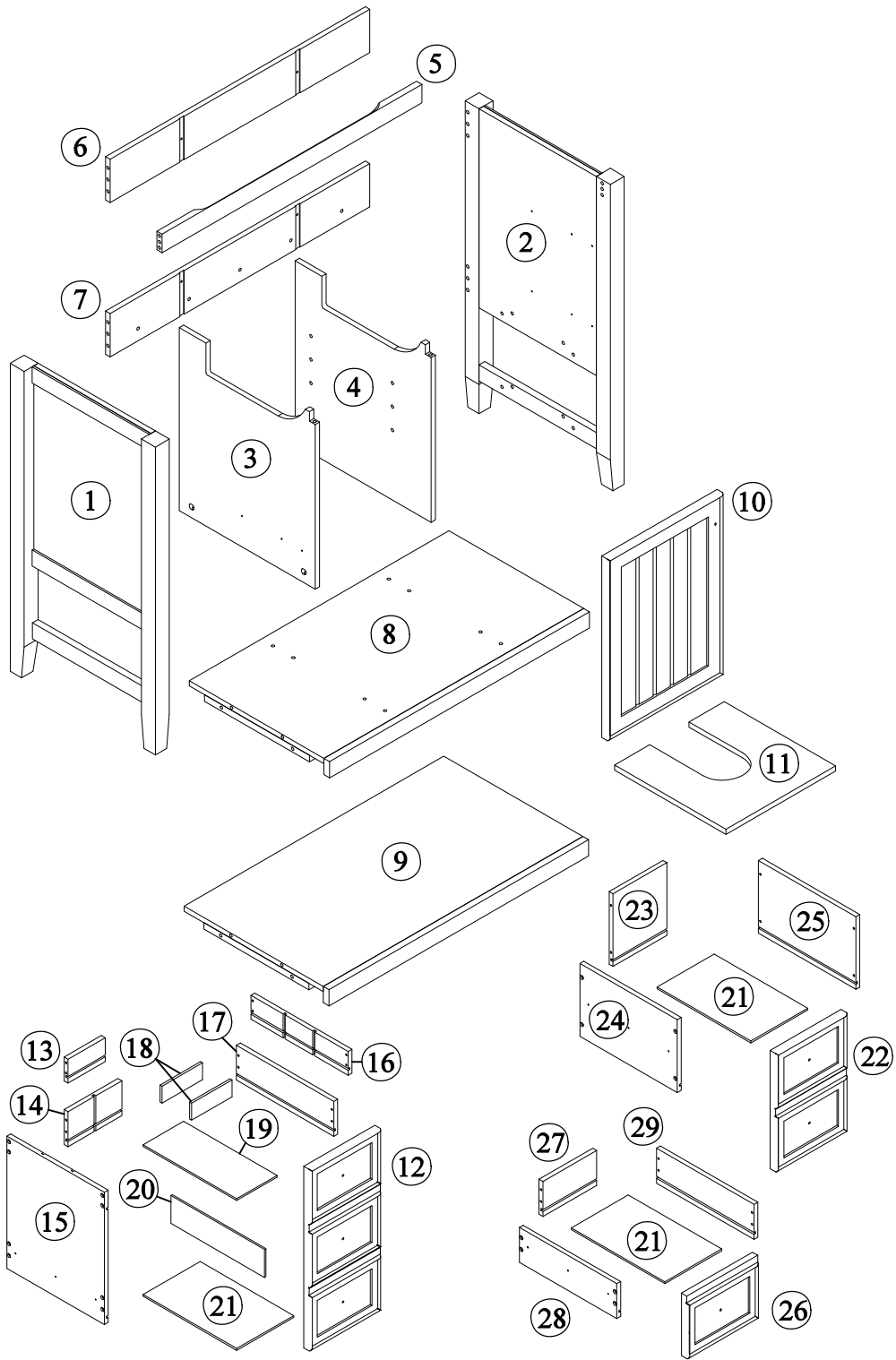
**do not malicious push and pull,**

**if you have any problems in the process of assembly and use, please contact us.**

**Thank you again for your purchase of our products,**

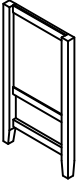
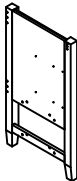



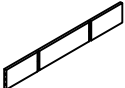
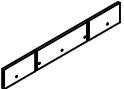
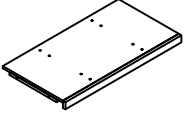
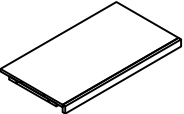
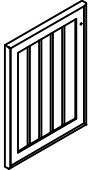
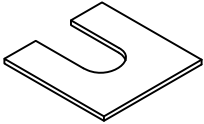
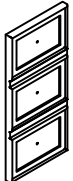
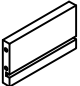
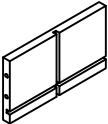
**I wish you a happy life.**

# Detail View - CABINET

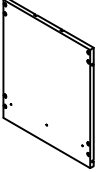
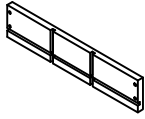
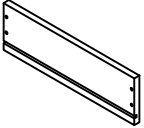
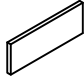
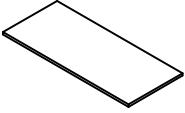
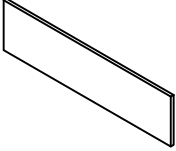
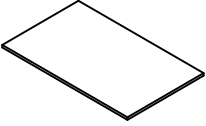
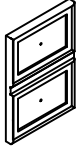
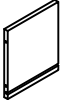
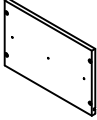
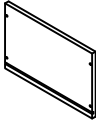
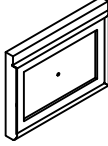
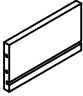
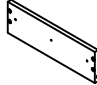
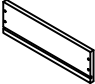


**Identifying the Hardware**-Identify the hardware using the illustrations below.



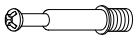




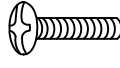

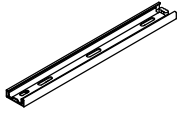
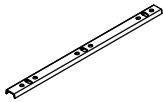



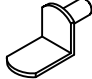
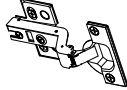



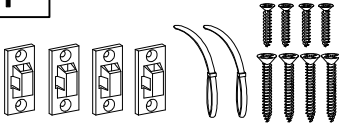
# Part List - WF306244

<p><b>1</b></p>  <p>Side Panel (L) - 1pc</p>	<p><b>2</b></p>  <p>Side Panel (R) - 1pc</p>
<p><b>3</b></p>  <p>Panel Mid (L) - 1pc</p>	<p><b>4</b></p>  <p>Panel Mid (R) - 1pc</p>
<p><b>5</b></p>  <p>Crossbar Top - 1pc</p>	<p><b>6</b></p>  <p>Rear Panel Top - 1pc</p>
<p><b>7</b></p>  <p>Rear Panel Bottom - 1pc</p>	<p><b>8</b></p>  <p>Frame Mid - 1pc</p>
<p><b>9</b></p>  <p>Frame Bottom - 1pc</p>	<p><b>10</b></p>  <p>Door - 1pc</p>
<p><b>11</b></p>  <p>Adjustable Shelf - 1pc</p>	<p><b>12</b></p>  <p>Left Drawer Face - 1pc</p>
<p><b>13</b></p>  <p>Left Drawer Rear panel(A) - 1pc</p>	<p><b>14</b></p>  <p>Left Drawer Rear panel(B) - 1pc</p>

# Part List - WF306244

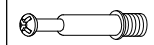
<p><b>15</b></p>  <p>Left Drawer Side panel (L) - 1pc</p>	<p><b>16</b></p>  <p>Left Drawer Side panel (R-T) - 1pc</p>
<p><b>17</b></p>  <p>Left Drawer Side panel (R-B) - 1pc</p>	<p><b>18</b></p>  <p>Drawer divide (A) - 2pcs</p>
<p><b>19</b></p>  <p>Left Drawer Bottom - 1pc</p>	<p><b>20</b></p>  <p>Drawer divide (B) - 1pc</p>
<p><b>21</b></p>  <p>Drawer Bottom - 3pcs</p>	<p><b>22</b></p>  <p>Right Drawer Face (T) - 1pc</p>
<p><b>23</b></p>  <p>Right Drawer Rear panel (T) - 1pc</p>	<p><b>24</b></p>  <p>Right Drawer Side panel (L-T) - 1pc</p>
<p><b>25</b></p>  <p>Right Drawer Side panel (R-T) - 1pc</p>	<p><b>26</b></p>  <p>Right Drawer Face (B) - 1pc</p>
<p><b>27</b></p>  <p>Right Drawer Rear panel (B) - 1pc</p>	<p><b>28</b></p>  <p>Right Drawer Side panel (L-B) - 1pc</p>
<p><b>29</b></p>  <p>Right Drawer Side panel (R-B) - 1pc</p>	

# Hardware List - WF306244

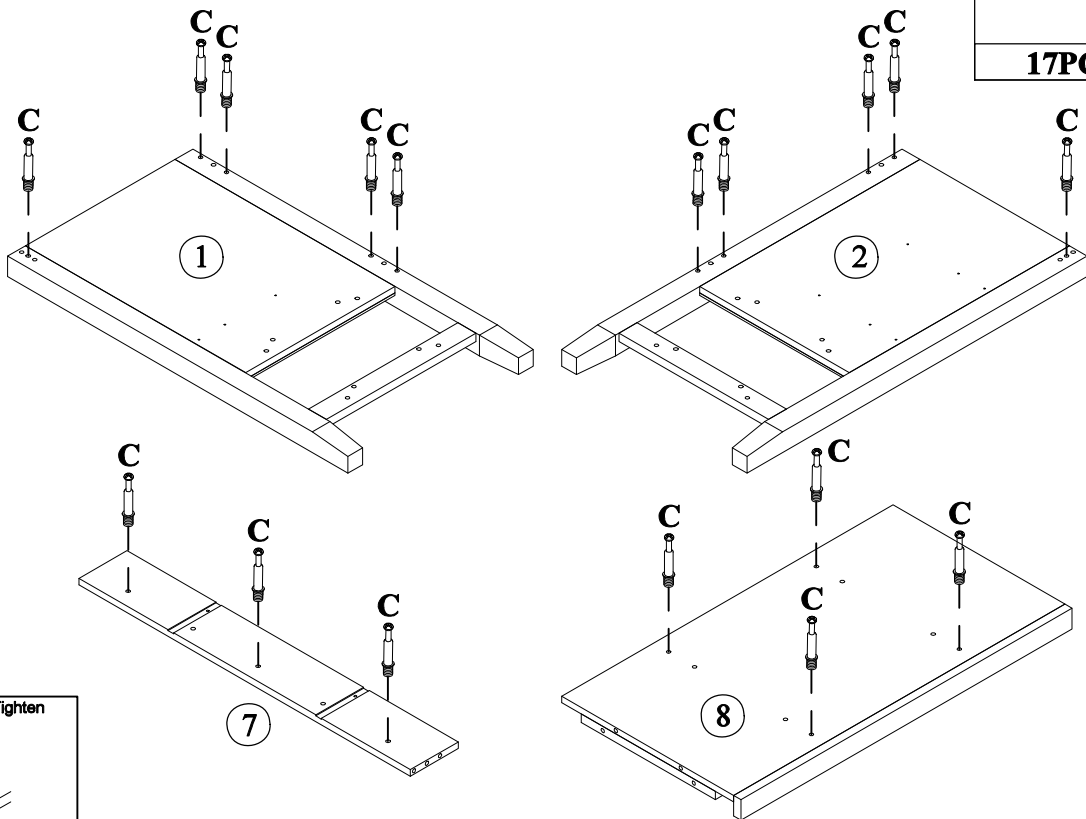
<p><b>A</b></p>  <p>ø13x1/4"x28mm</p>	<p><b>B</b></p>  <p>ø1/4"x16x1mm</p>	<p><b>C</b></p>  <p>ø6x35mm</p>
<p>Hex-Head bolts (8pcs)</p>	<p>Washer (8pcs)</p>	<p>Three in one bolts (17pcs)</p>
<p><b>D</b></p>  <p>ø14.5x12mm</p>	<p><b>E</b></p>  <p>ø8xø4x25mm</p>	<p><b>F</b></p>  <p>ø8xø4x32mm</p>
<p>Three in one lock (17pcs)</p>	<p>Round head screw (4pcs)</p>	<p>Round head screw (32pcs)</p>
<p><b>G</b></p> 	<p><b>H</b></p>  <p>ø5/32"x15mm</p>	<p><b>I</b></p>  <p>ø5/32"x20mm</p>
<p>Handle (7pcs)</p>	<p>Handle screw (3pcs)</p>	<p>Handle screw (4pcs)</p>
<p><b>J</b></p>  <p>ø300x35mm</p>	<p><b>K</b></p>  <p>ø298x18mm</p>	<p><b>L</b></p>  <p>ø6xø3x12mm</p>
<p>Slide rails (6pcs)</p>	<p>Slide rails (6pcs)</p>	<p>Flat head screw (36pcs)</p>
<p><b>M</b></p> 	<p><b>N</b></p>  <p>ø7xø3.5x12mm</p>	<p><b>O</b></p> 
<p>L-Bracket (2pcs)</p>	<p>Round head screw (4pcs)</p>	<p>Laminate pad(4pcs)</p>
<p><b>P</b></p> 	<p><b>Q</b></p>  <p>ø7xø3.5x15mm</p>	<p><b>R</b></p>  <p>ø8x30mm</p>
<p>Damping hinge (2pcs)</p>	<p>Flat head screw (12pcs)</p>	<p>Wood dowel (24pcs)</p>
<p><b>S</b></p>  <p>4mm</p>	<p><b>T</b></p> 	
<p>Allen key (1pc)</p>	<p>Anti fall hardware (1set)</p>	

# STEP: 1

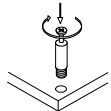
**C**



**17PCS**



Do Not Over Tighten



# STEP: 2

**J**

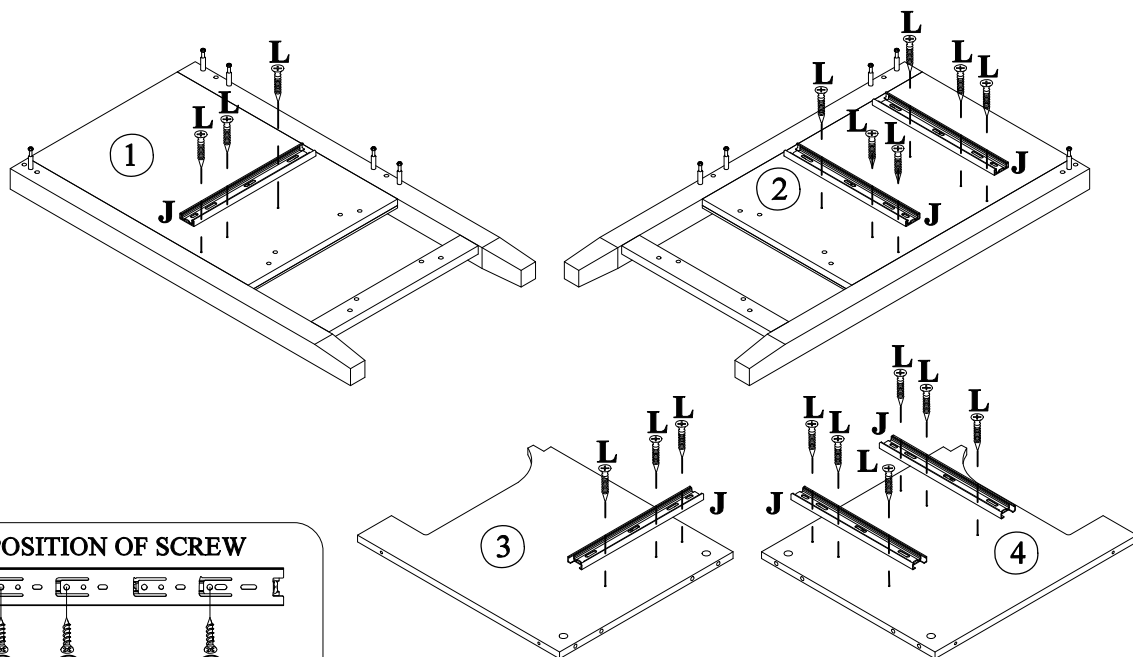


**6PCS**

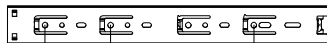
**L**



**18PCS**



POSITION OF SCREW


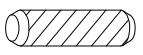


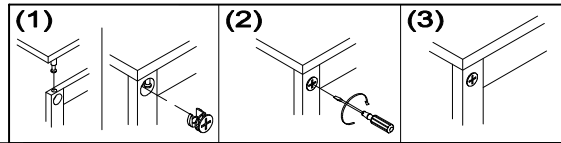
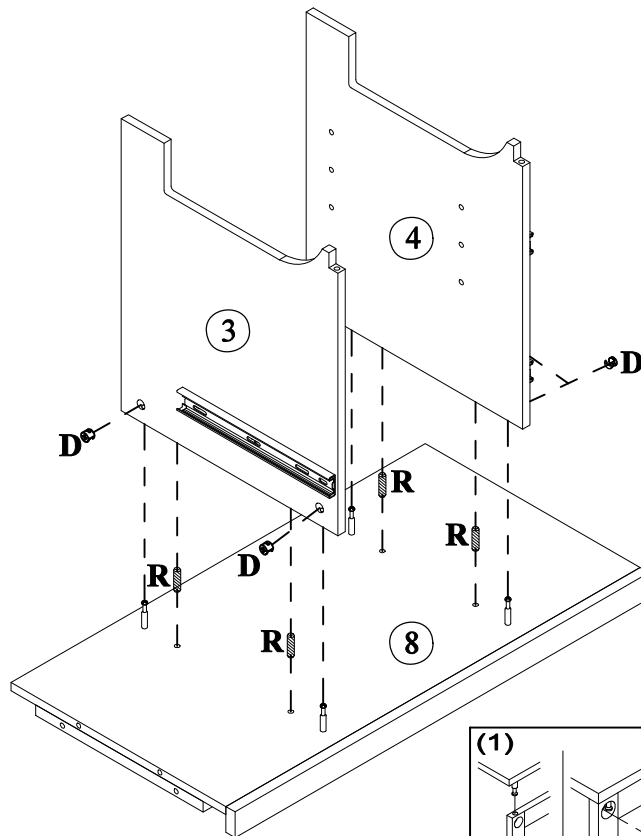
**1**

**2**


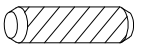

**1**

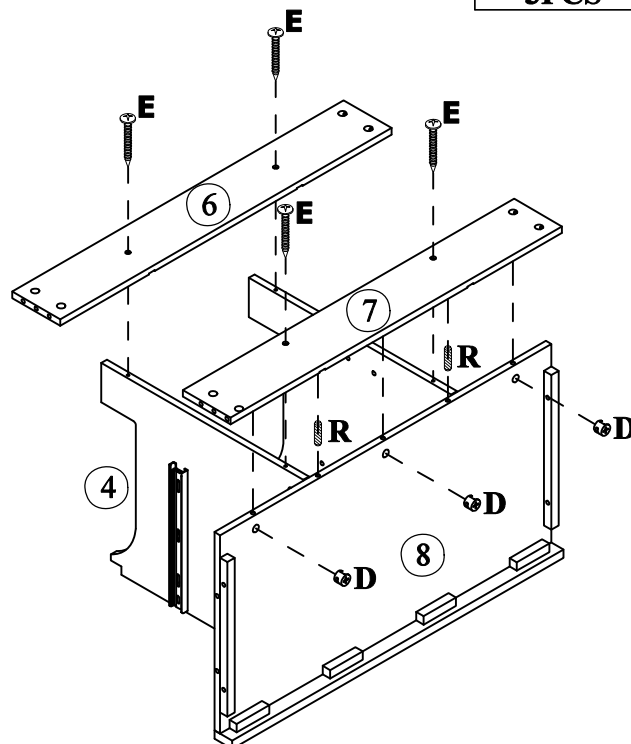
### STEP: 3

<b>D</b>		<b>R</b>	
	<b>4PCS</b>		<b>4PCS</b>






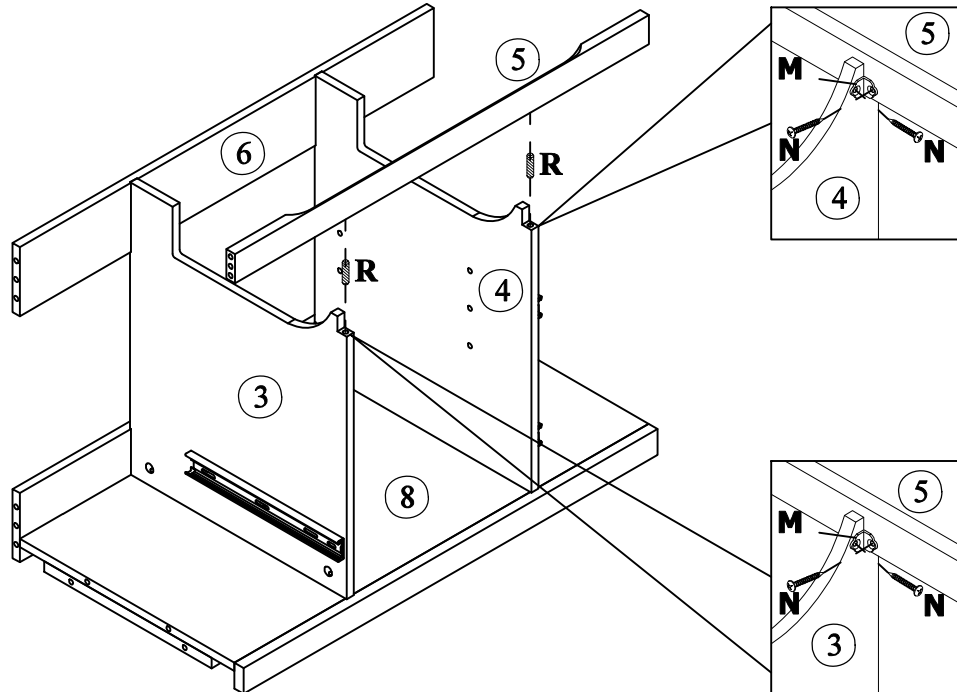
### STEP: 4

<b>D</b>		<b>R</b>		<b>E</b>	
	<b>3PCS</b>		<b>2PCS</b>		<b>4PCS</b>







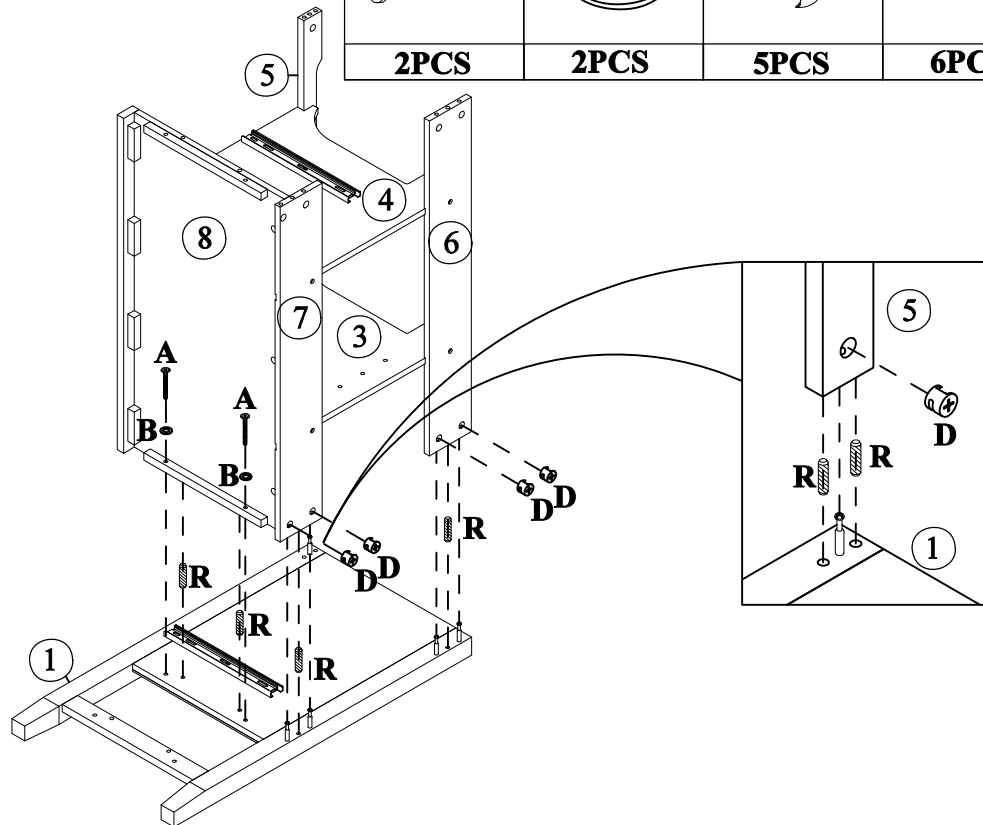
**STEP: 5**

<b>M</b> 	<b>N</b> 	<b>R</b> 
<b>2PCS</b>	<b>4PCS</b>	<b>2PCS</b>



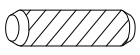


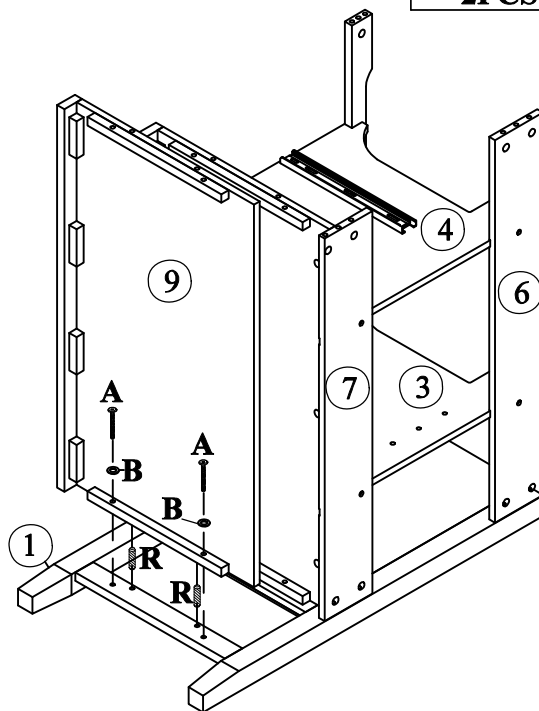
**STEP: 6**

<b>A</b> 	<b>B</b> 	<b>D</b> 	<b>R</b> 
<b>2PCS</b>	<b>2PCS</b>	<b>5PCS</b>	<b>6PCS</b>




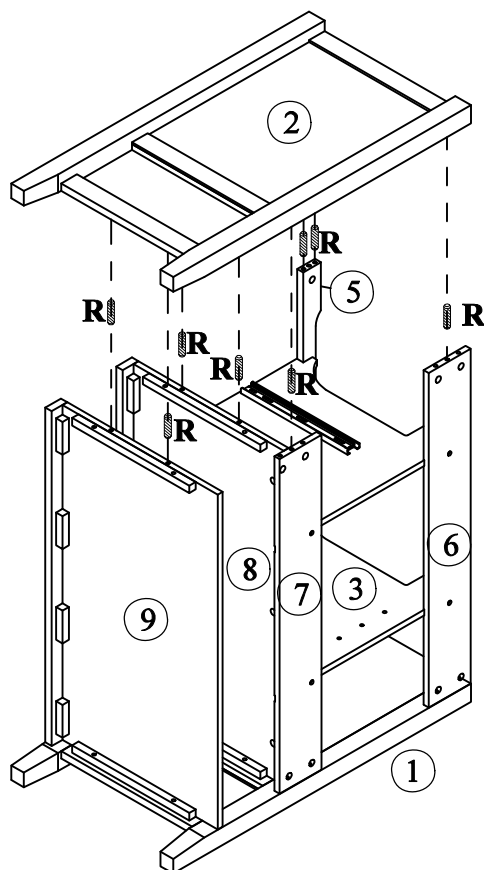
**STEP: 7**

<b>A</b>	<b>B</b>	<b>R</b>
		
<b>2PCS</b>	<b>2PCS</b>	<b>2PCS</b>






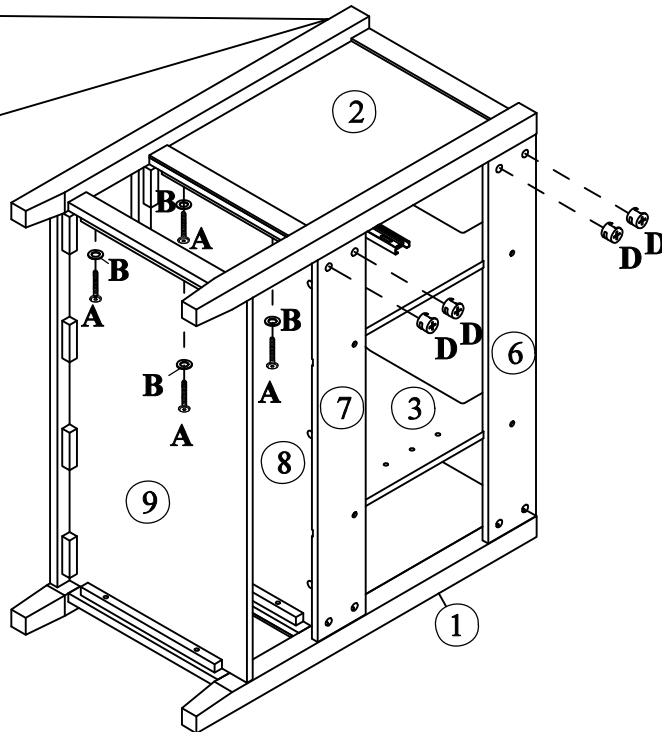
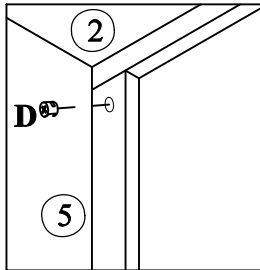
**STEP: 8**

<b>R</b>

<b>8PCS</b>


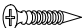


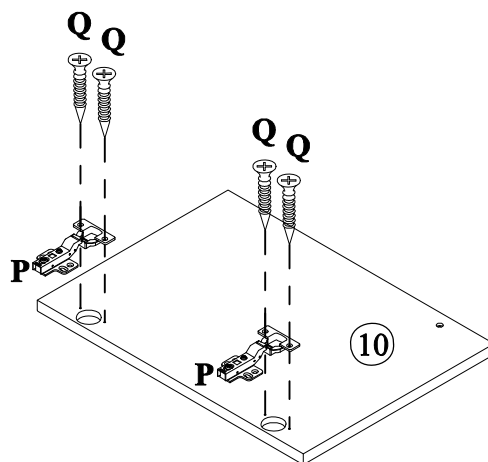
**STEP: 9**

<b>A</b>	<b>B</b>	<b>D</b>
		
<b>4PCS</b>	<b>4PCS</b>	<b>5PCS</b>


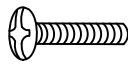



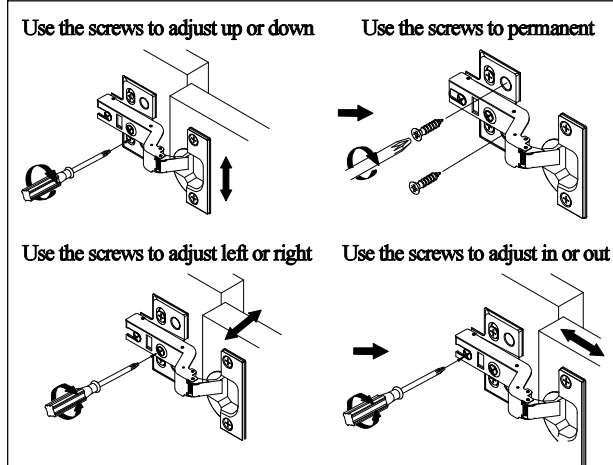
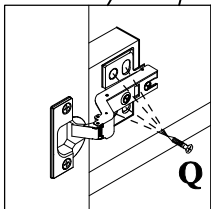
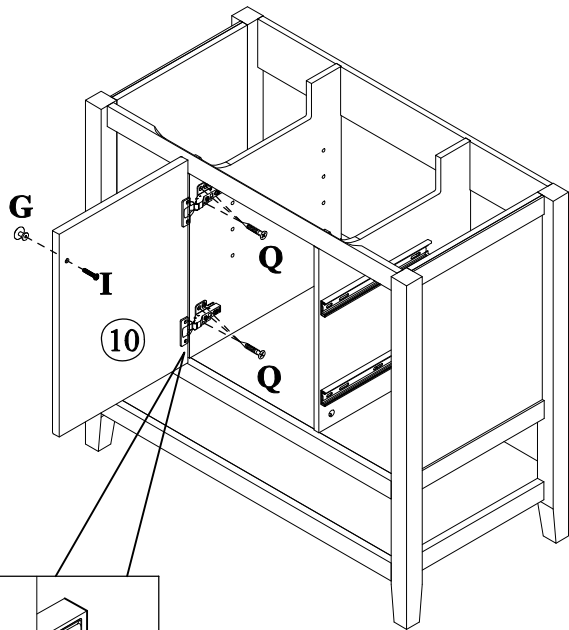
**STEP: 10**

<b>P</b>	<b>Q</b>
	
<b>2PCS</b>	<b>4PCS</b>

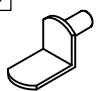


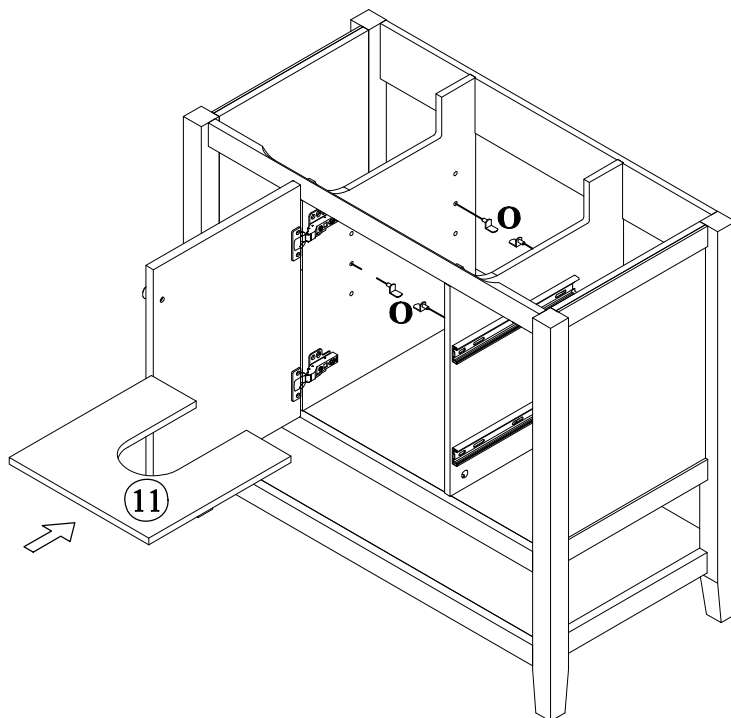
# STEP: 11

<b>G</b>	<b>I</b>	<b>Q</b>
		
<b>1PC</b>	<b>1PC</b>	<b>8PCS</b>

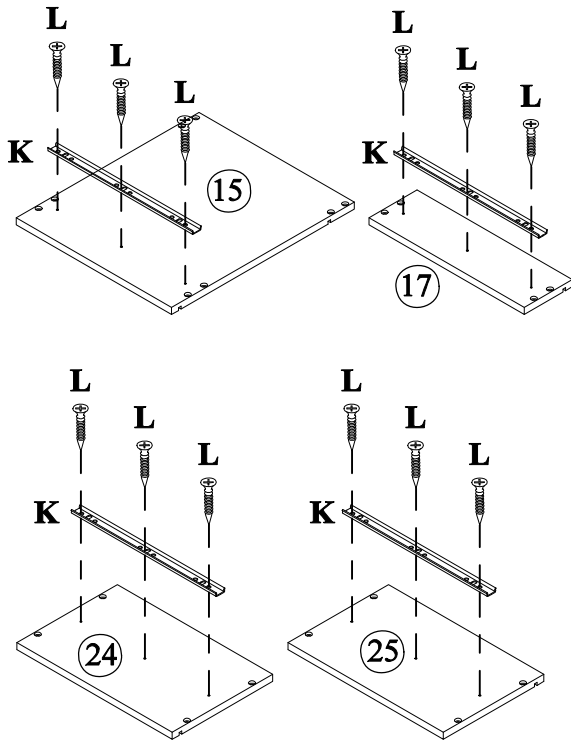


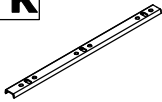
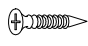
# STEP: 12

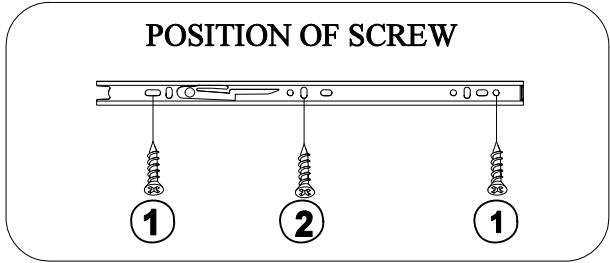
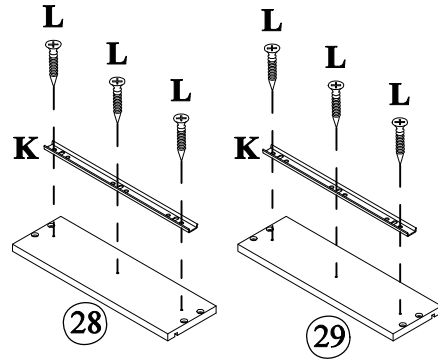
<b>O</b>

<b>4PCS</b>



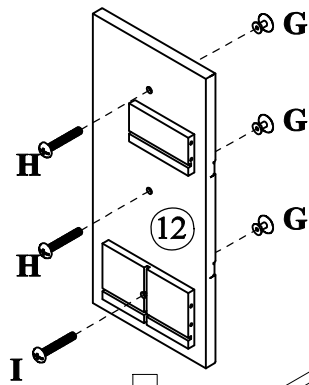
### STEP: 13


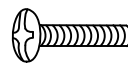
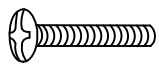



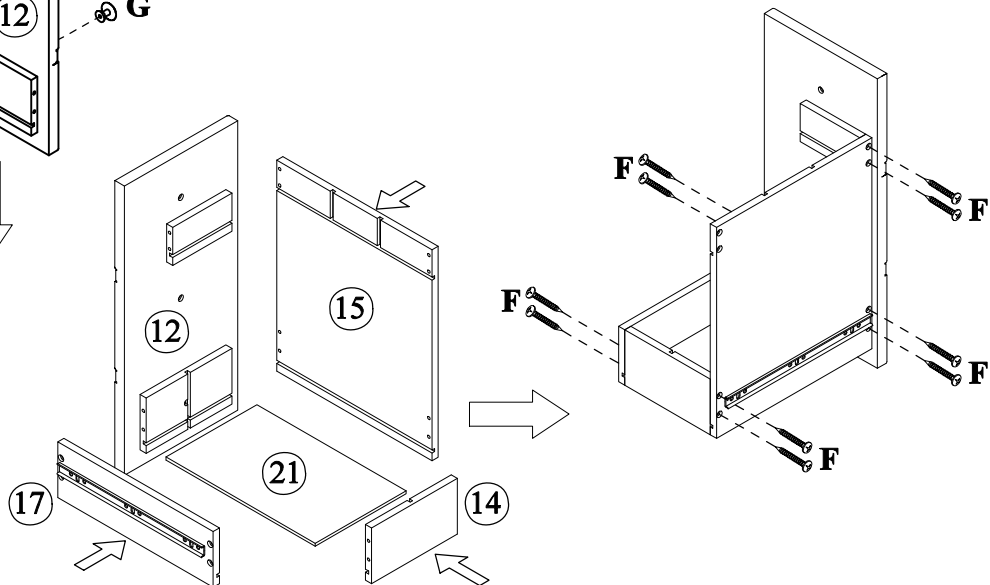
<b>K</b>		<b>L</b>	
	<b>6PCS</b>		<b>18PCS</b>



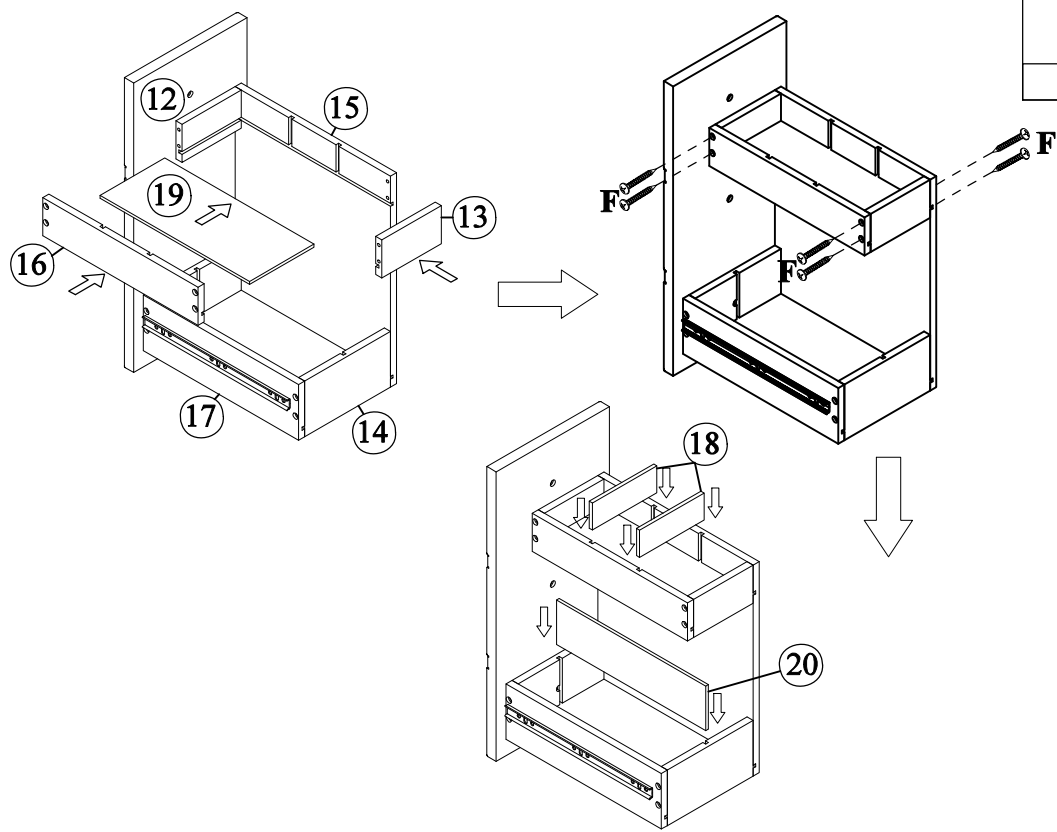
### STEP: 14




<b>G</b>		<b>H</b>		<b>I</b>		<b>F</b>	
	<b>3PCS</b>		<b>2PCS</b>		<b>1PC</b>		<b>10PCS</b>

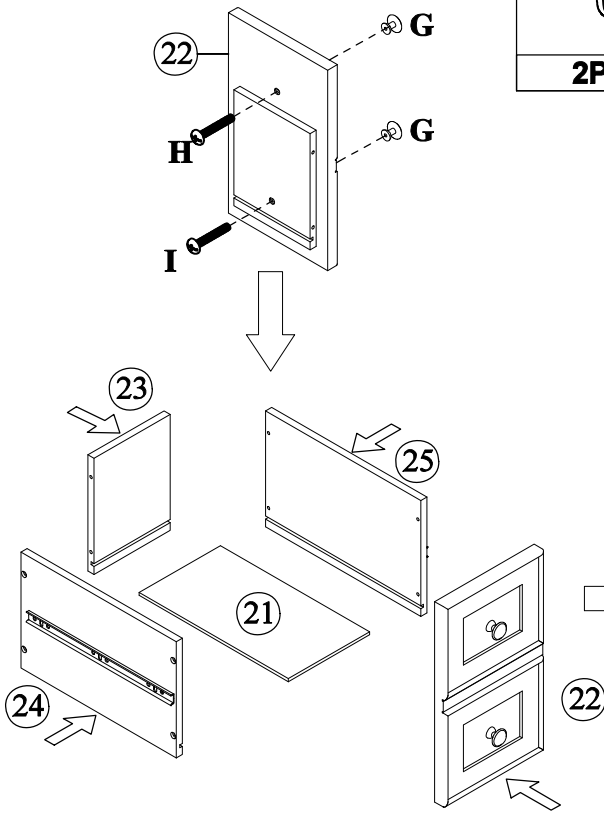



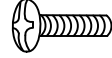


# STEP: 15

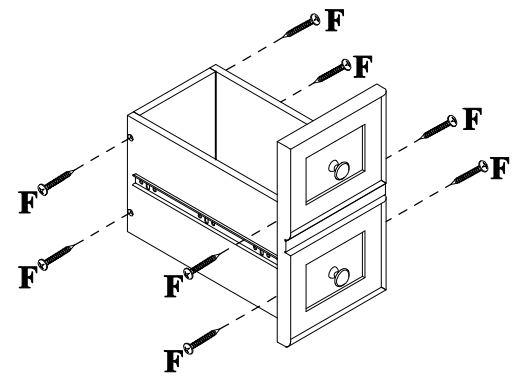


<b>F</b>

<b>6PCS</b>

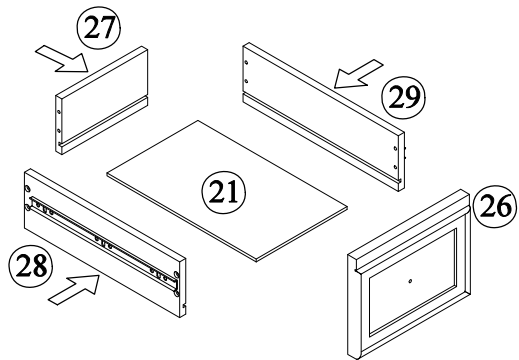
# STEP: 16


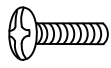



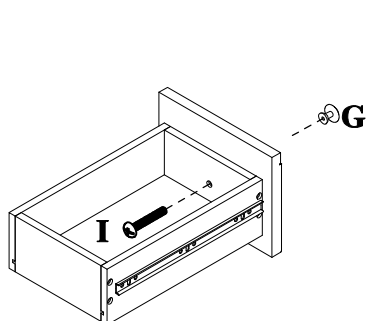
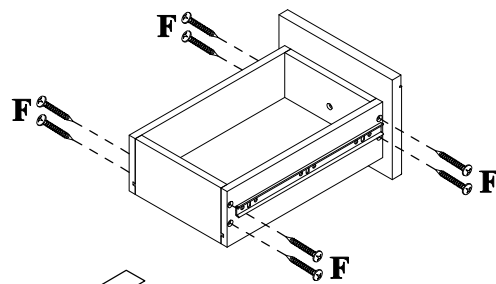
<b>G</b>	<b>H</b>	<b>I</b>	<b>F</b>
			
<b>2PCS</b>	<b>1PC</b>	<b>1PC</b>	<b>8PCS</b>



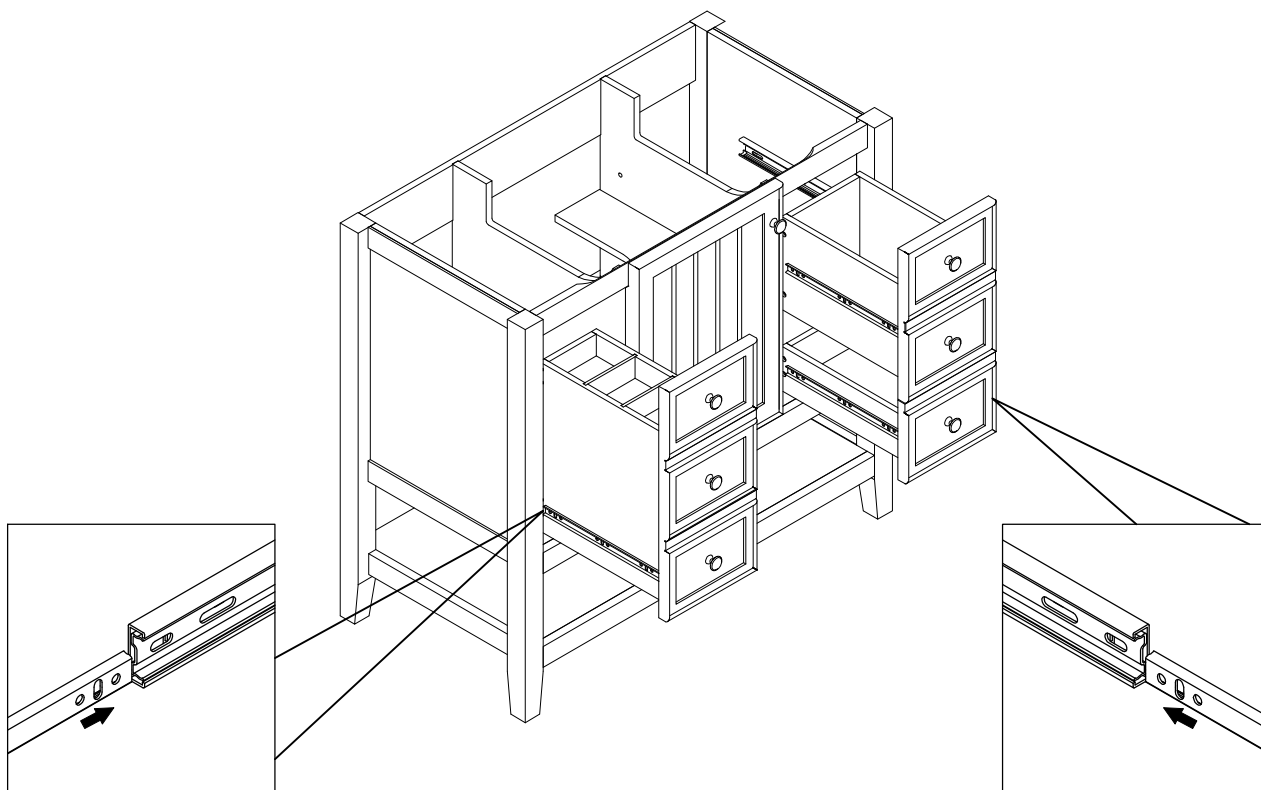
### STEP: 17



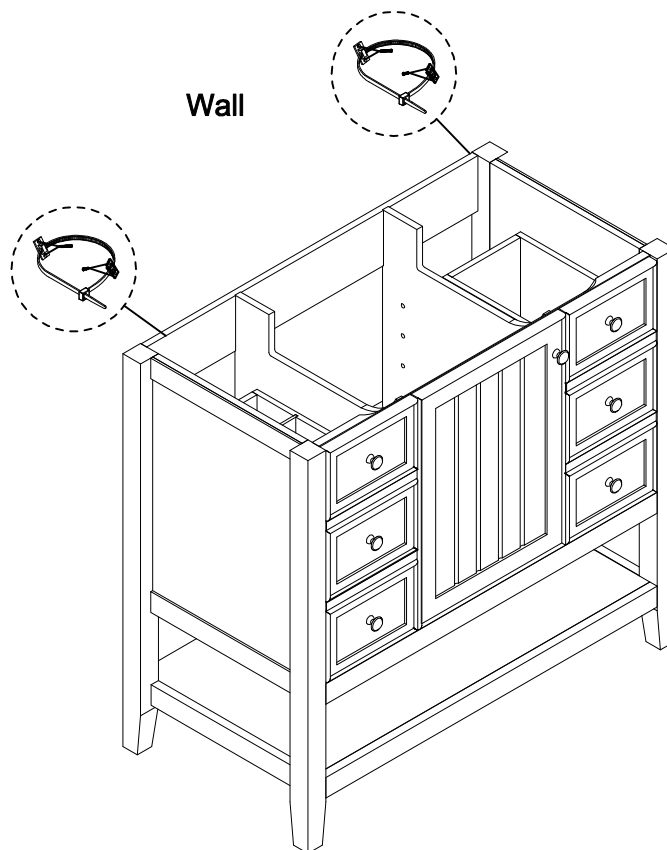
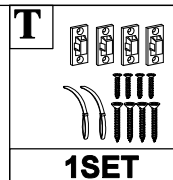
<b>G</b> 	<b>I</b> 	<b>F</b> 
<b>1PC</b>	<b>1PC</b>	<b>8PCS</b>



### STEP: 18

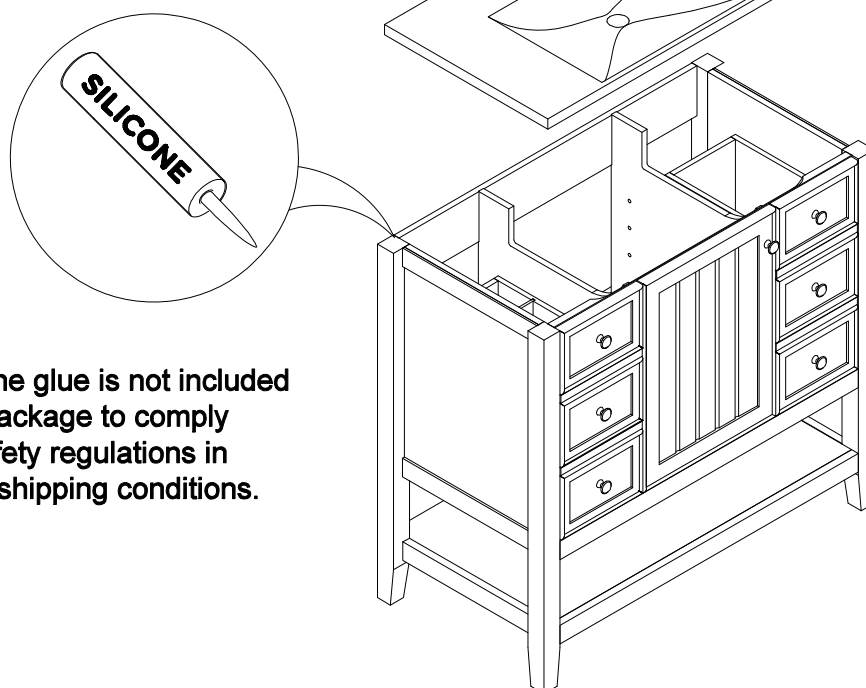


## **STEP: 19**



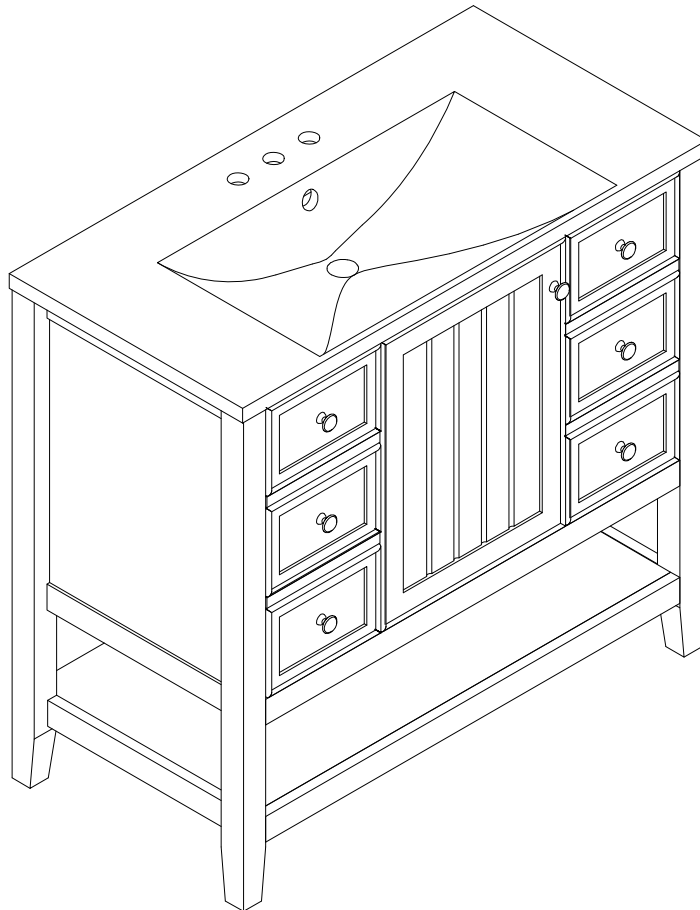
## **STEP: 20**

Install the sink on the cabinet with glue.  
Let stand for 24 hours

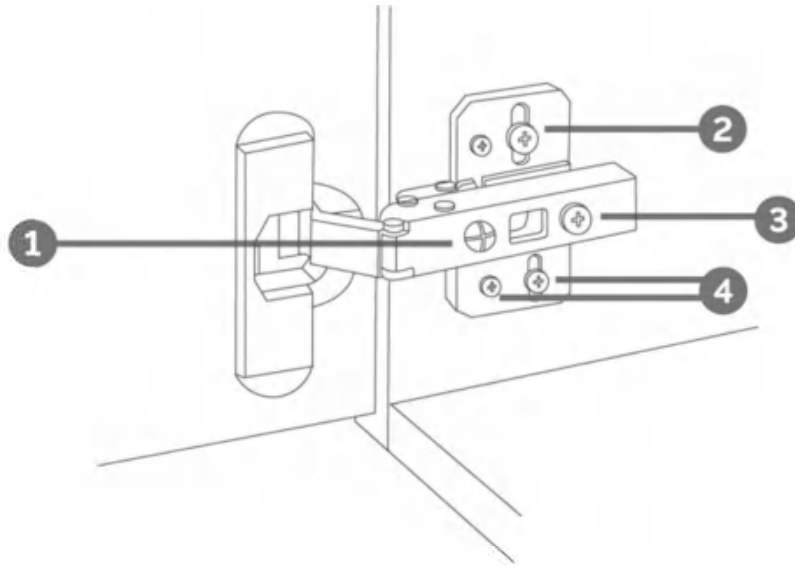


\*Silicone glue is not included  
in the package to comply  
with safety regulations in  
certain shipping conditions.

**STEP: 21**

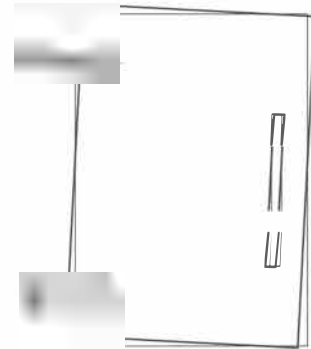


# HINGE ADJUSTMENTS



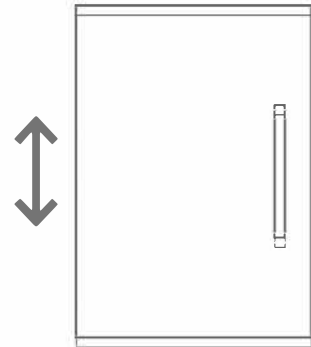
## 1 Sideways / Tilt adjustment

Turn the screw  
**clockwise** to move the door further away from the side of the cabinet  
**anticlockwise** to move the door closer to the side of the cabinet



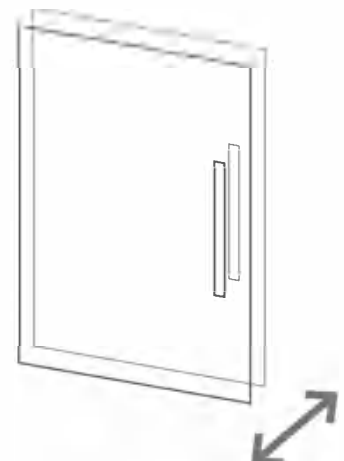
## 2 4 Height adjustment

While supporting the weight of the door, turn the screws  
**clockwise** to move the door up  
**anticlockwise** to move the door down



## 3 Forward and back adjustment

If the gap between the back of the door and the cabinet is too small, and the door may not close fully. Turn the screw  
**clockwise** to decrease the gap between the door and the cabinet  
**anticlockwise** to increase the gap between the door and the cabinet



## **IMPORTANT-READ CAREFULLY-RETAIN FOR FUTURE REFERENCE**

### **WARNING:**

- Children must stay away from the assembly zone, preventing children from potential asphyxia because of plastic bag and foam breathing in nose;
- For your safety, please do not tread or climb product.
- The loading weight shall be within the range that vendor claims. The product is designed for adults use, domestic use and indoor use only.
- The product shall not combine with other product for use.
- If the product with seat height adjustments with energy accumulators that only trained personnel may replace or repair seat height adjustment components with energy accumulators
- Check regularly that all assembly fastenings are properly tightened, do not use the product if any structural part is broken or missing
- Incorrect installation and incorrect use can cause accidents. Please completely follow the guidance of assembly instruction.

### **Security instructions:**

- Before assembling check whether all parts listed in the parts list have been delivered. Do not start assembling if parts are missing or damaged.
- A failure to assemble this product correctly could cause damage or result in serious injury! Before assembling make sure that you have enough space for the procedure. Assemble on a flat surface.
- Keep the assembly instructions available at all times and follow each of the individual steps exactly.
- During assembly, be careful with all the parts of the assembly (do not walk on them or distort them) and beware of shearing and trapping risks. Keep children and pets away while setting up the furniture.