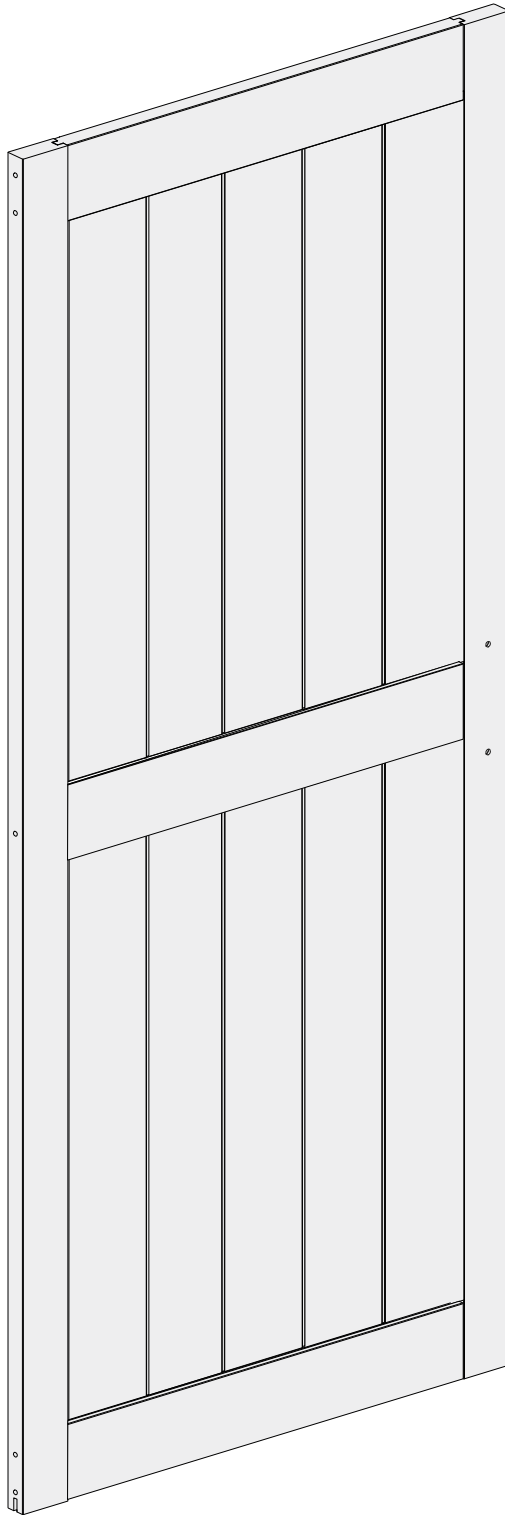
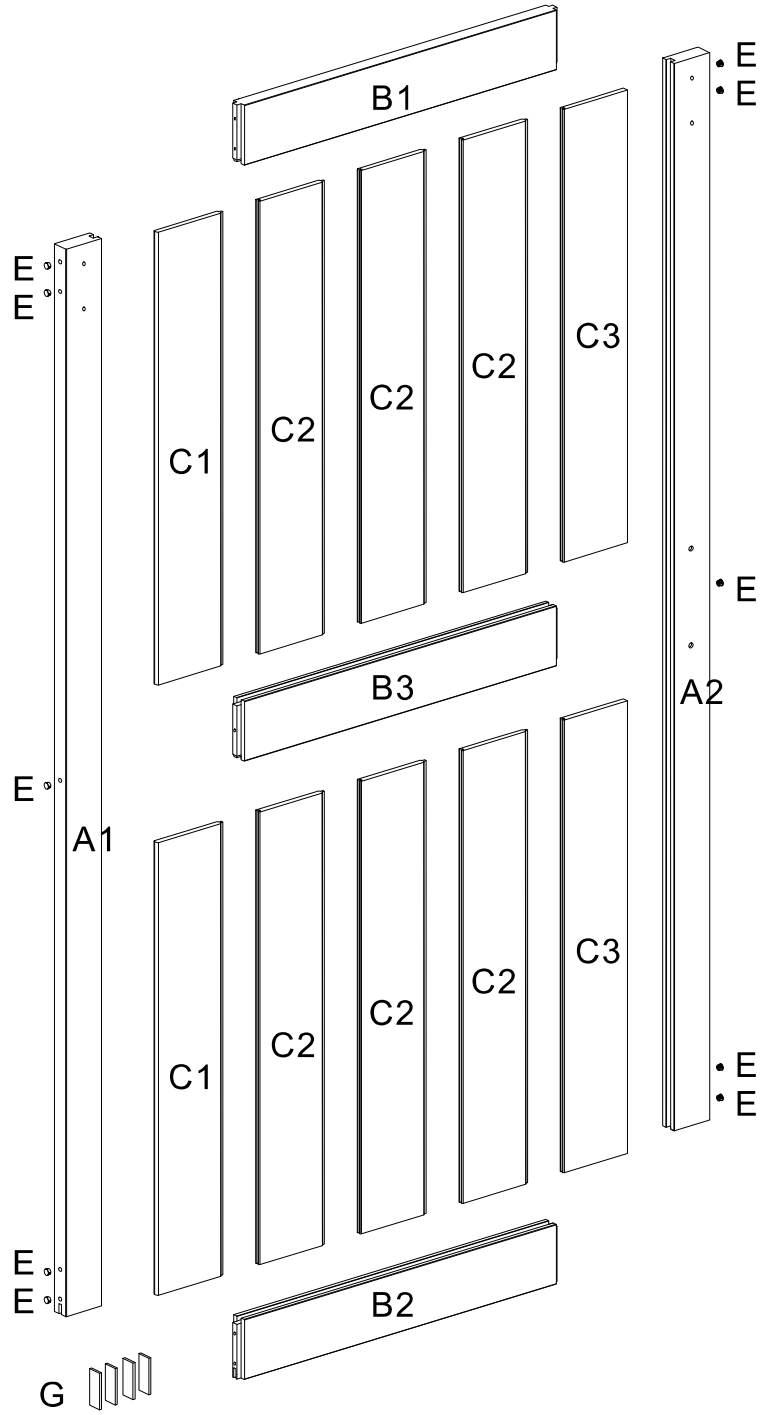


# Installation Manual

---



# Components list



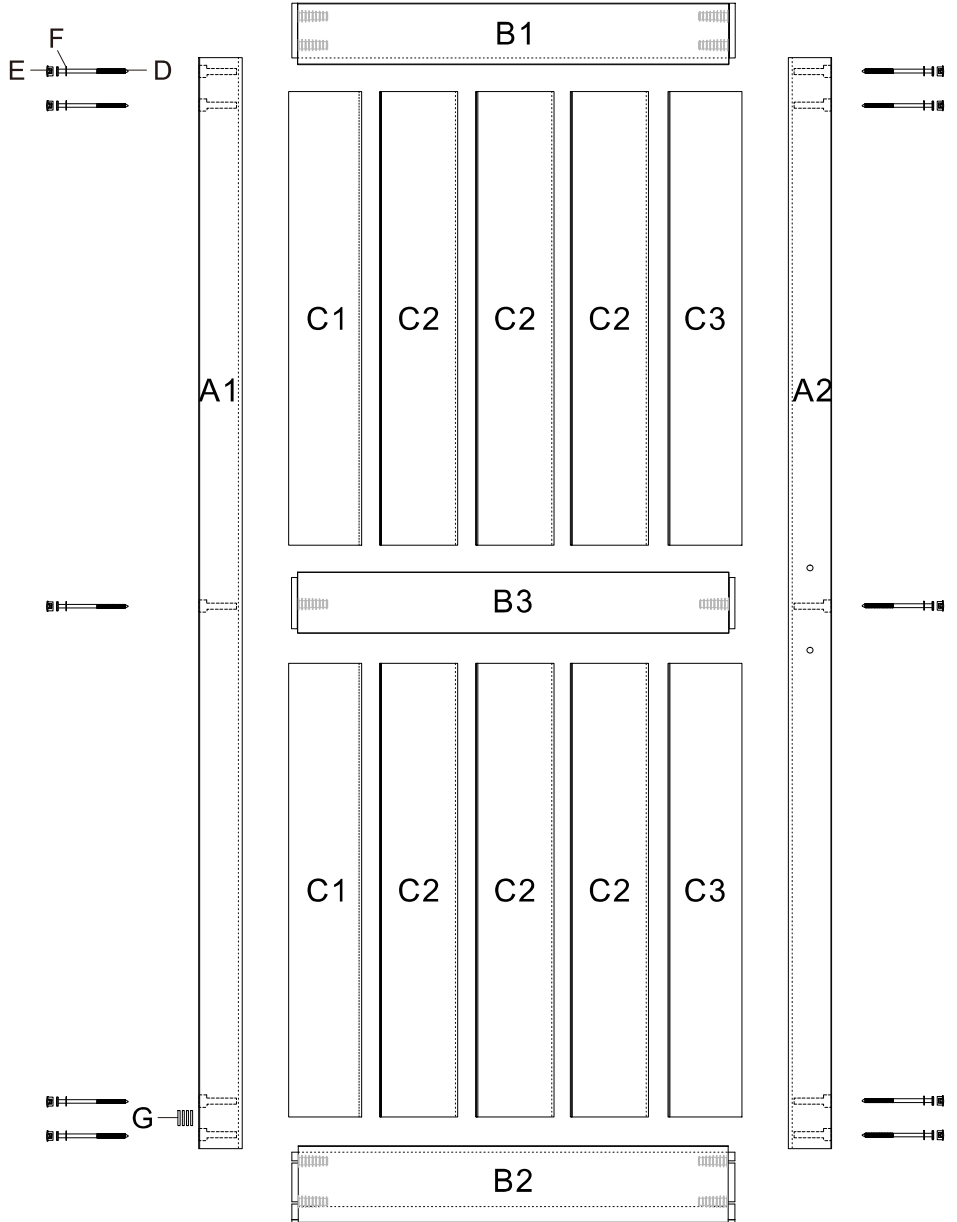
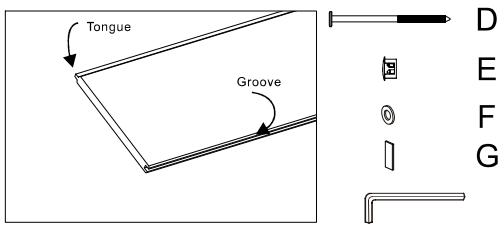
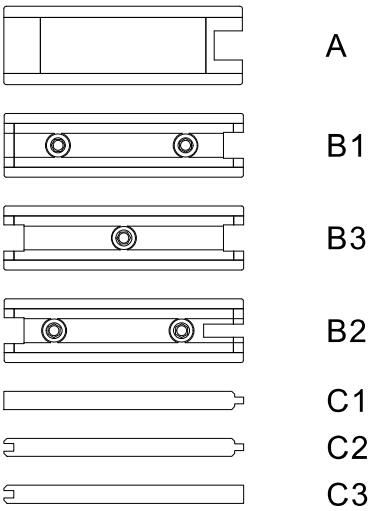
# INSTRUCTIONS

## H-Barn Door Installation Instruction

### Package List

A1	Side Stile	*1
A2	Side Stile	*1
B1	Top Rail	*1
B2	Bottom Rail	*1
B3	Middle Rail	*1
C1	Left Side Slat	*2
C2	Middle Side Slat	*6
C3	Right Side Slat	*2
D	Carriage Bolt	*10
E	Plastic Cap	*10
F	Washer	*10
G	Gasket	*4
	Spanner	

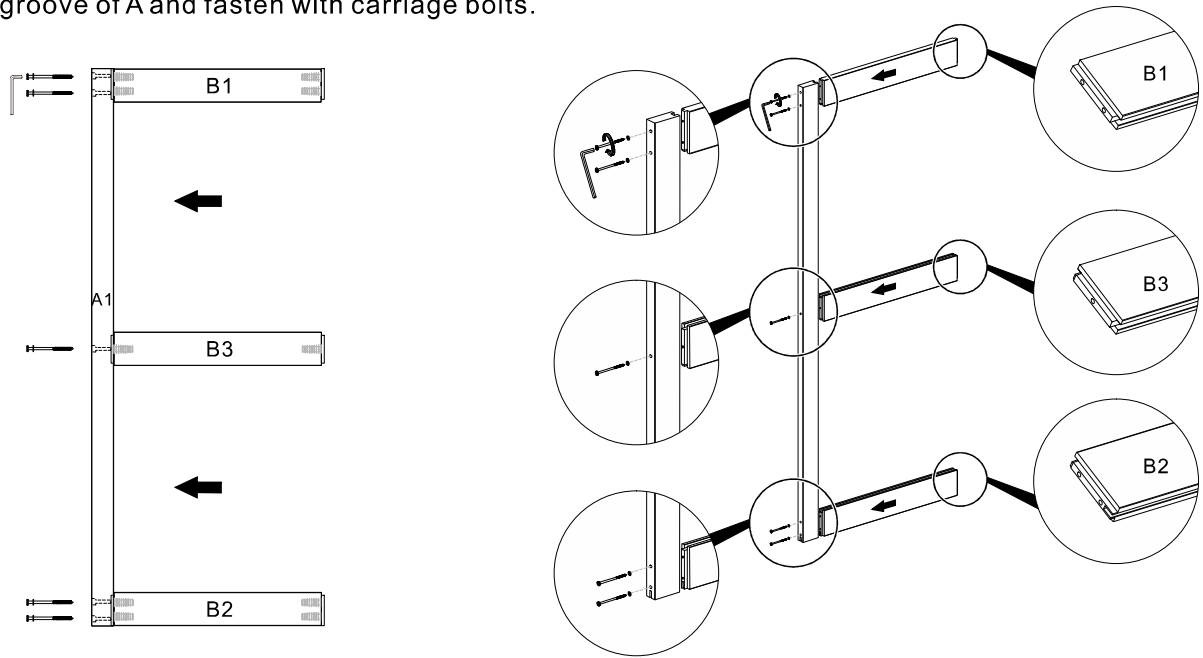
### Stile and Slat End Views



**Note:** Gasket(H) is spare. If the door core board is loose, add 4 gaskets in the groove at bottom of side stile.

### Step 1.

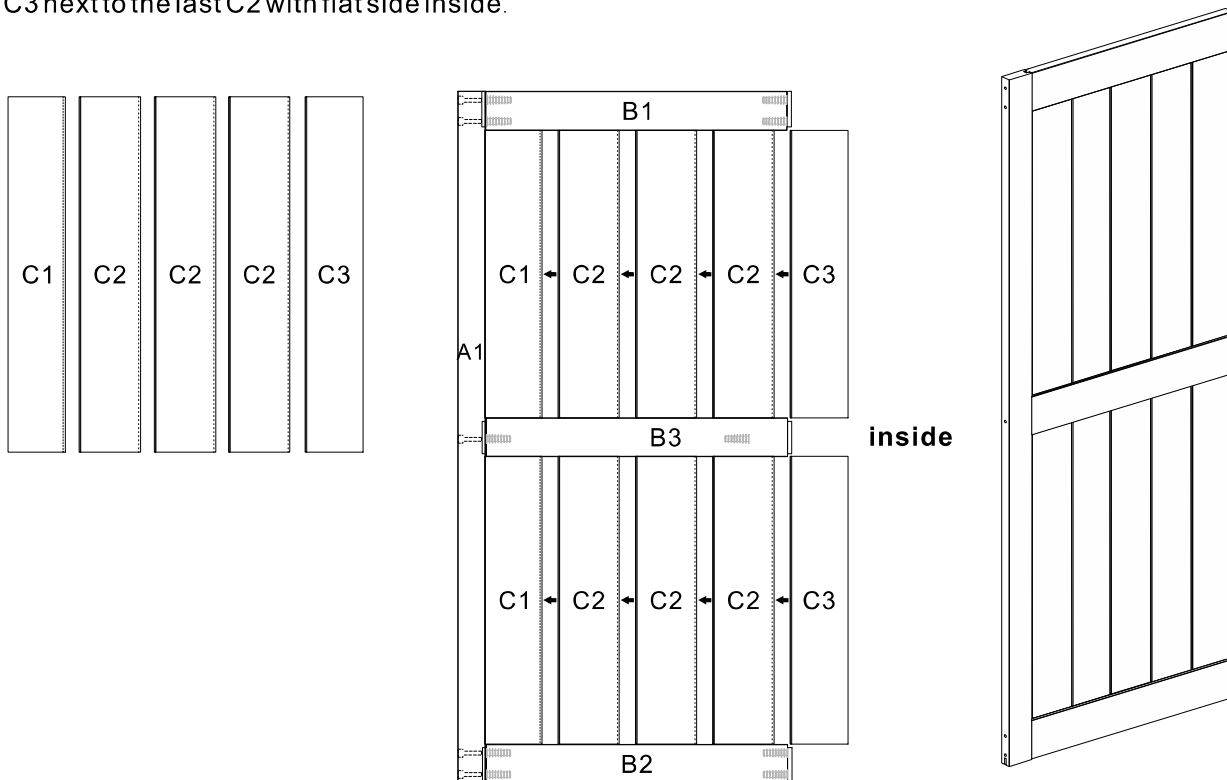
Lay out **Side Stile A1** on flat, clean surface. Make sure the groove side is to the inside. Attach **B1 Top Rail**, **B2 Bottom Rail** and **B3 Middle Rail** to **Side Stile A1** by inserting the tongues into the groove of A and fasten with carriage bolts.



---

### Step 2.

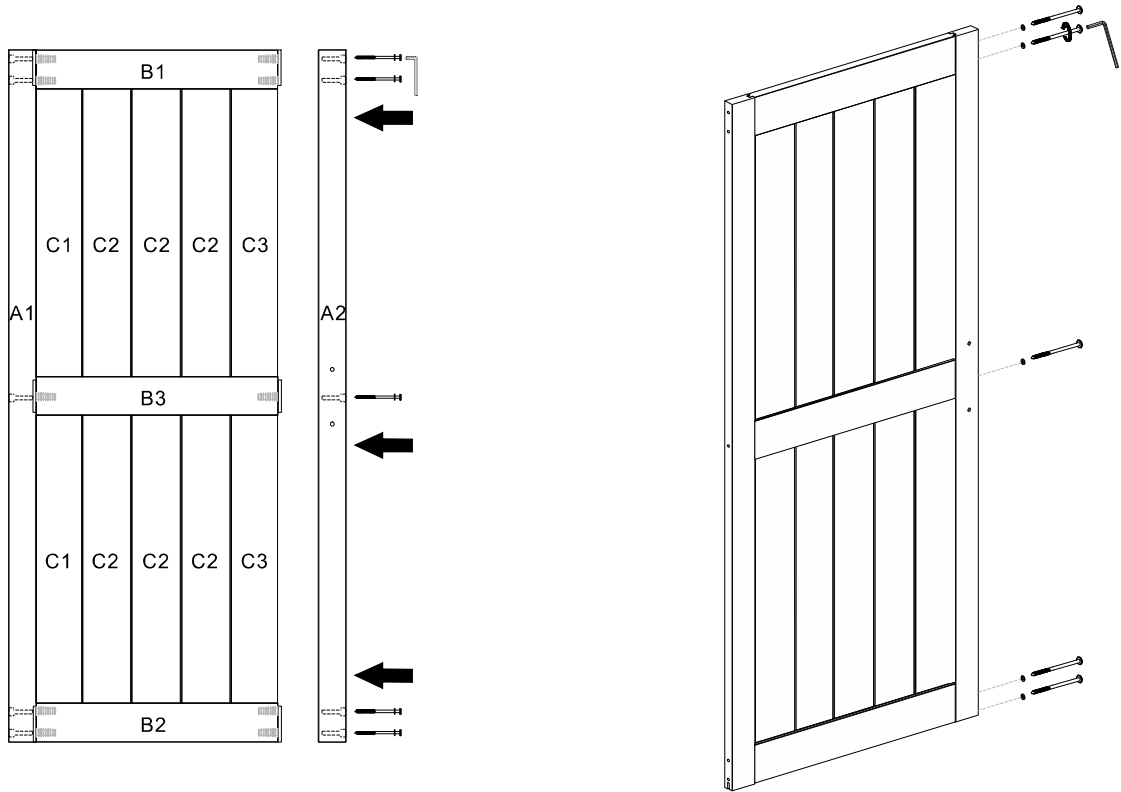
Assemble **C1 Left Side Slat**, **C2 Middle Side Slat**, **C3 Right Side Slat** as shown in figure. Make sure C1 tongue facing inside, C2 next to C1 with the tongue facing inside, C3 next to the last C2 with flat side inside.



---

### Step 3.

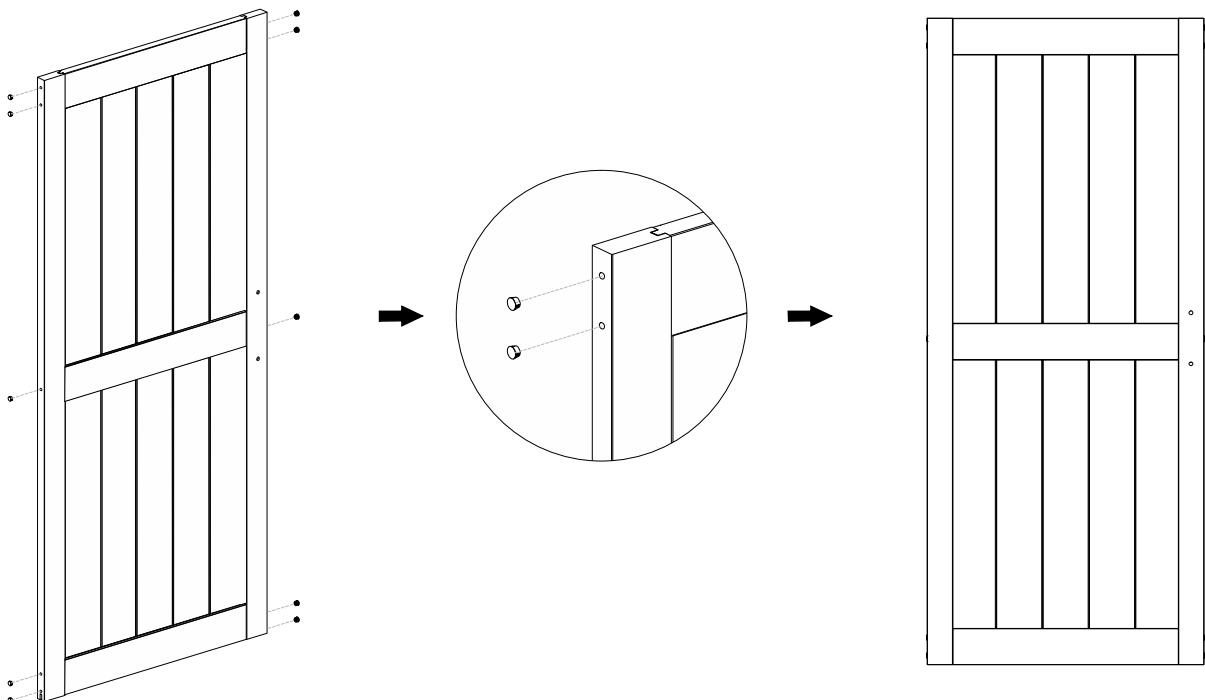
Place the other **Side Stile A2** beside the assembled **Rails** and **Side Slats** by inserting the rails' tongues to the groove of **A2** and fasten with carriage bolts.



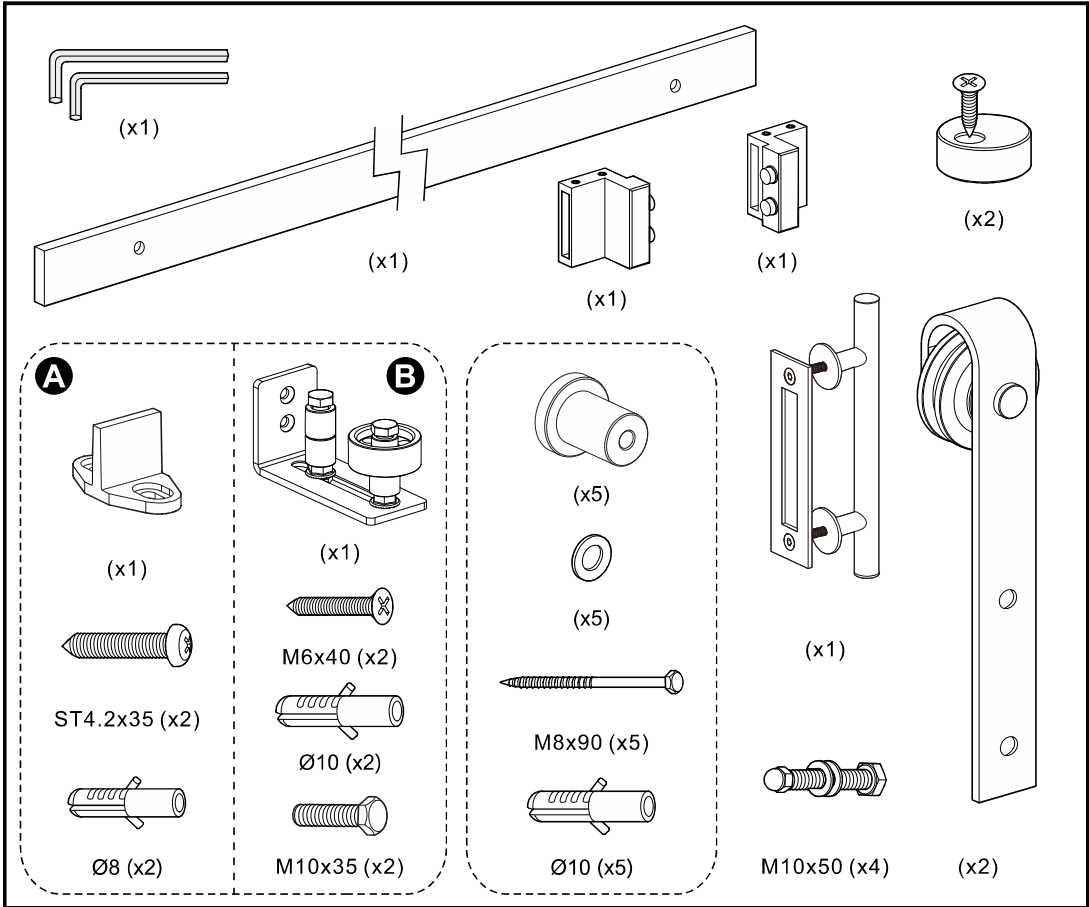
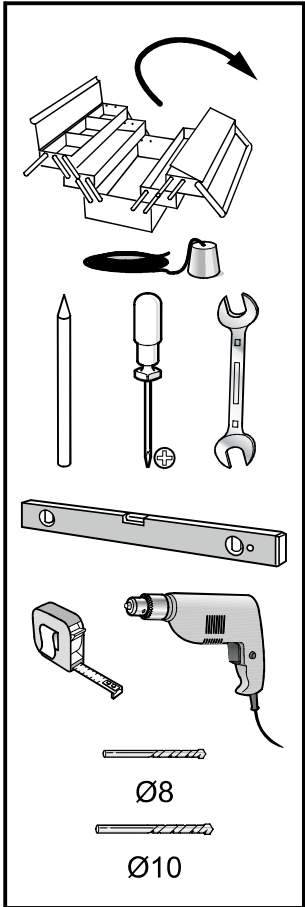
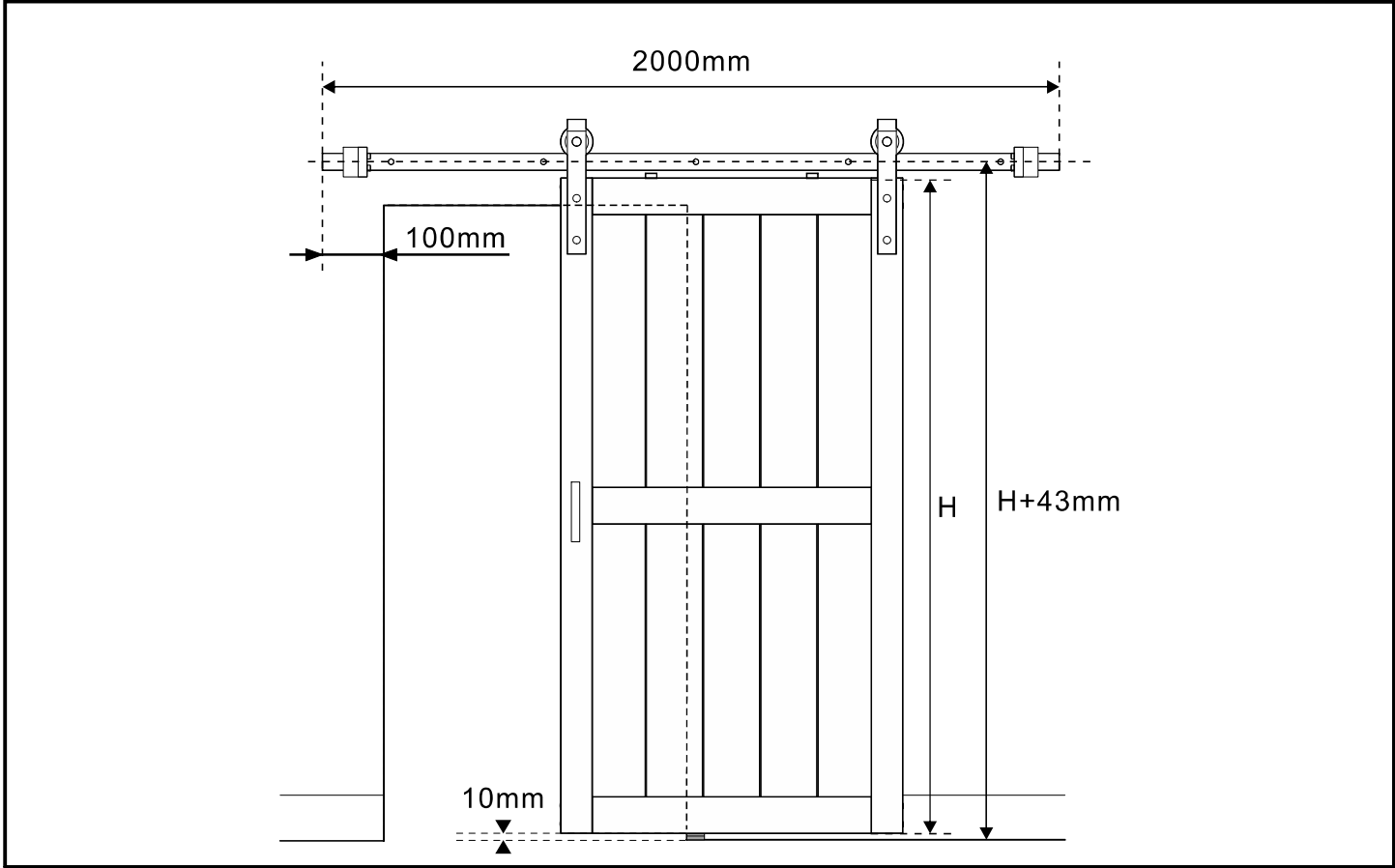
---

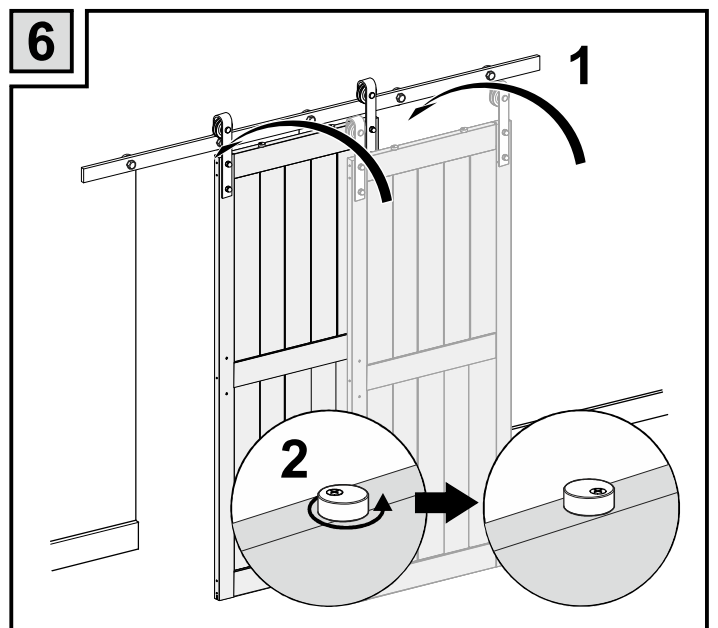
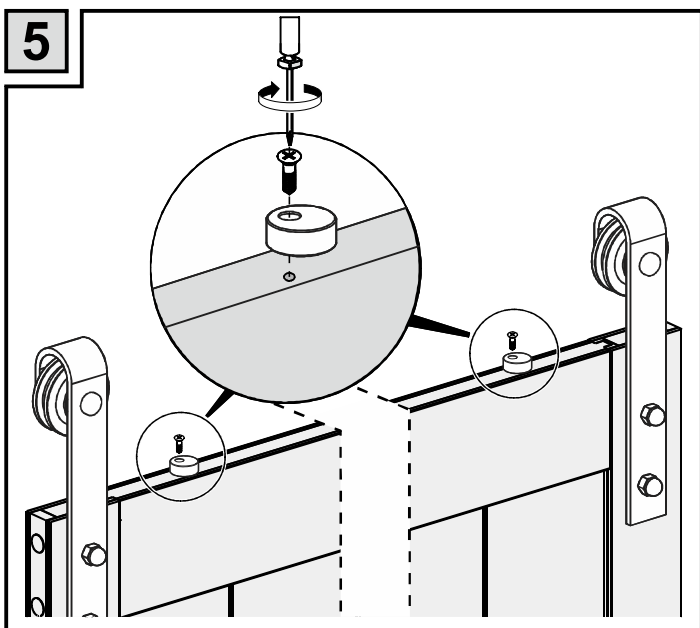
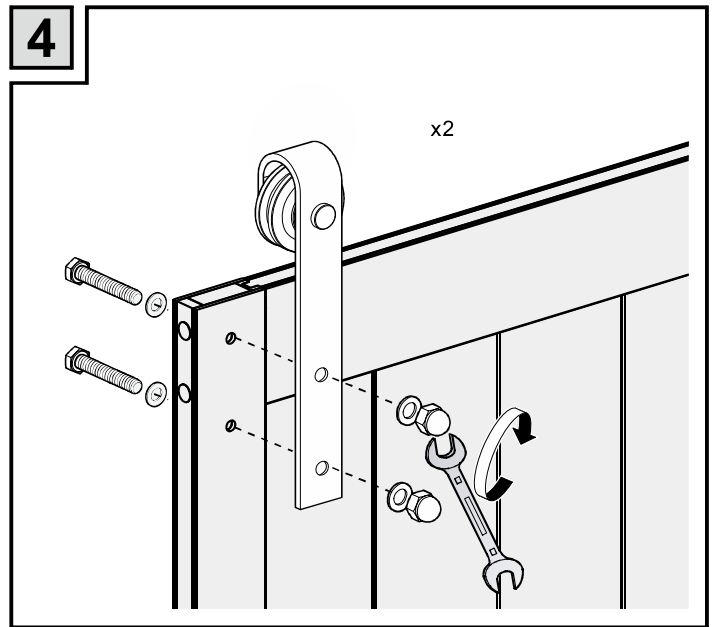
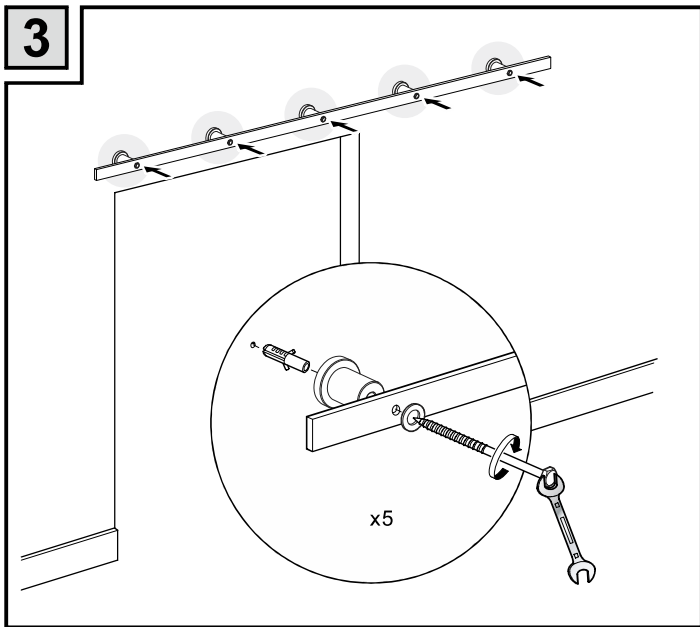
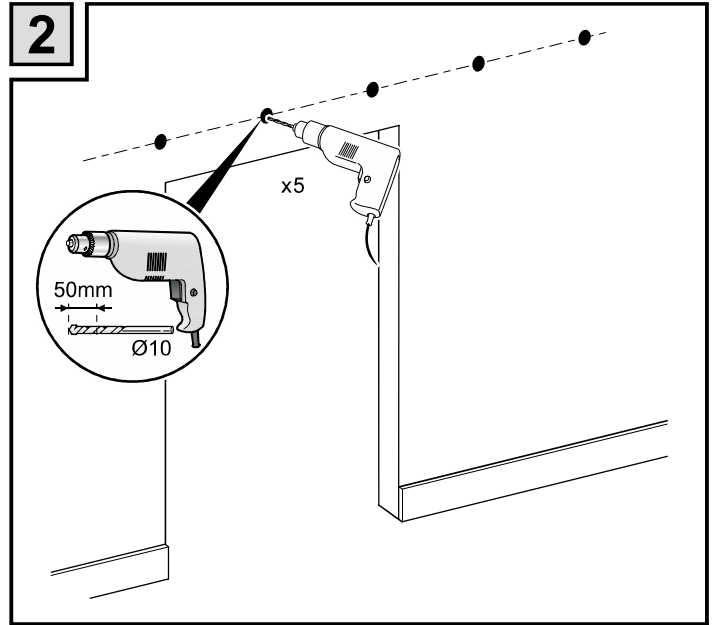
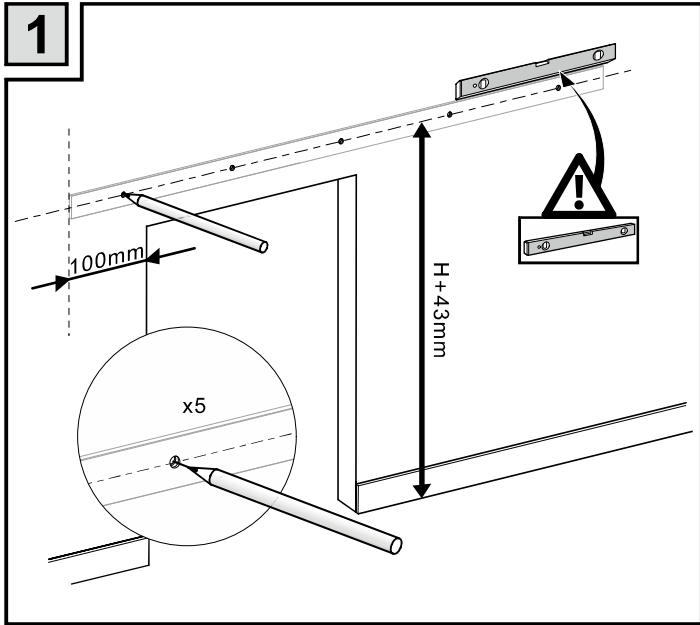
### Step 4.

Make sure all bolts are tightened, place **E Plastic Caps** on top of the bolts and flush with Side Stile surface.

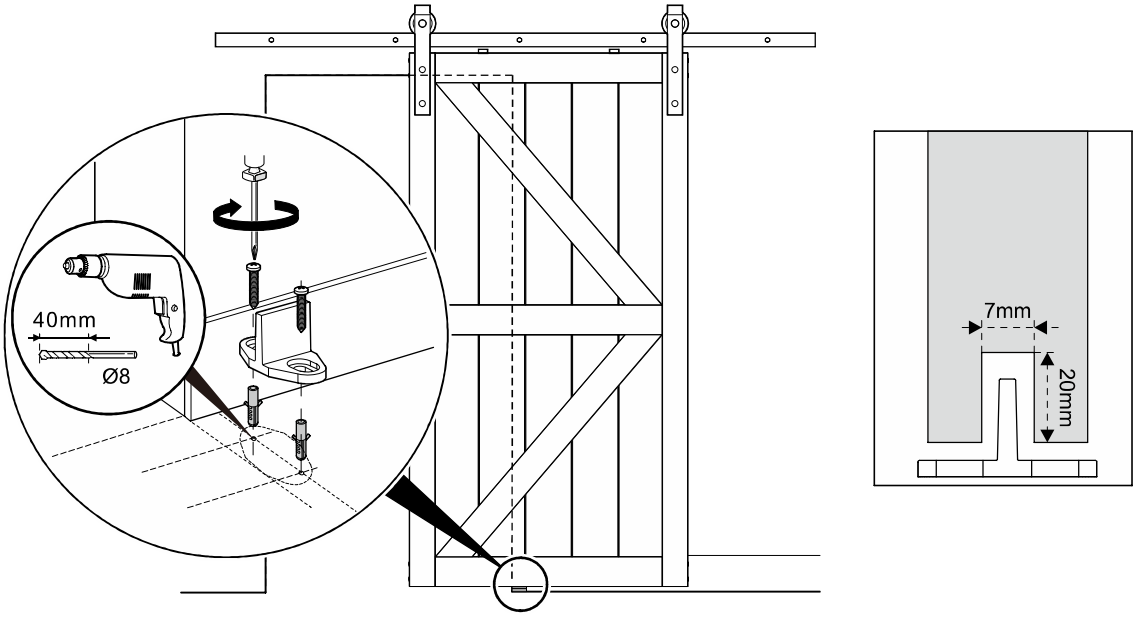


# Installation Manual

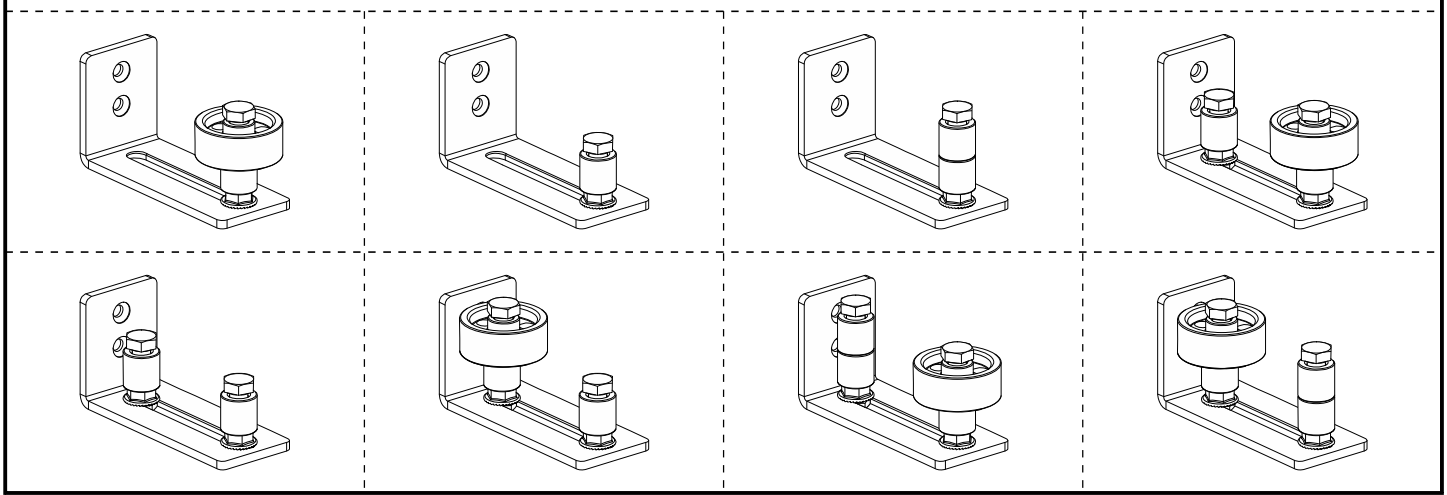
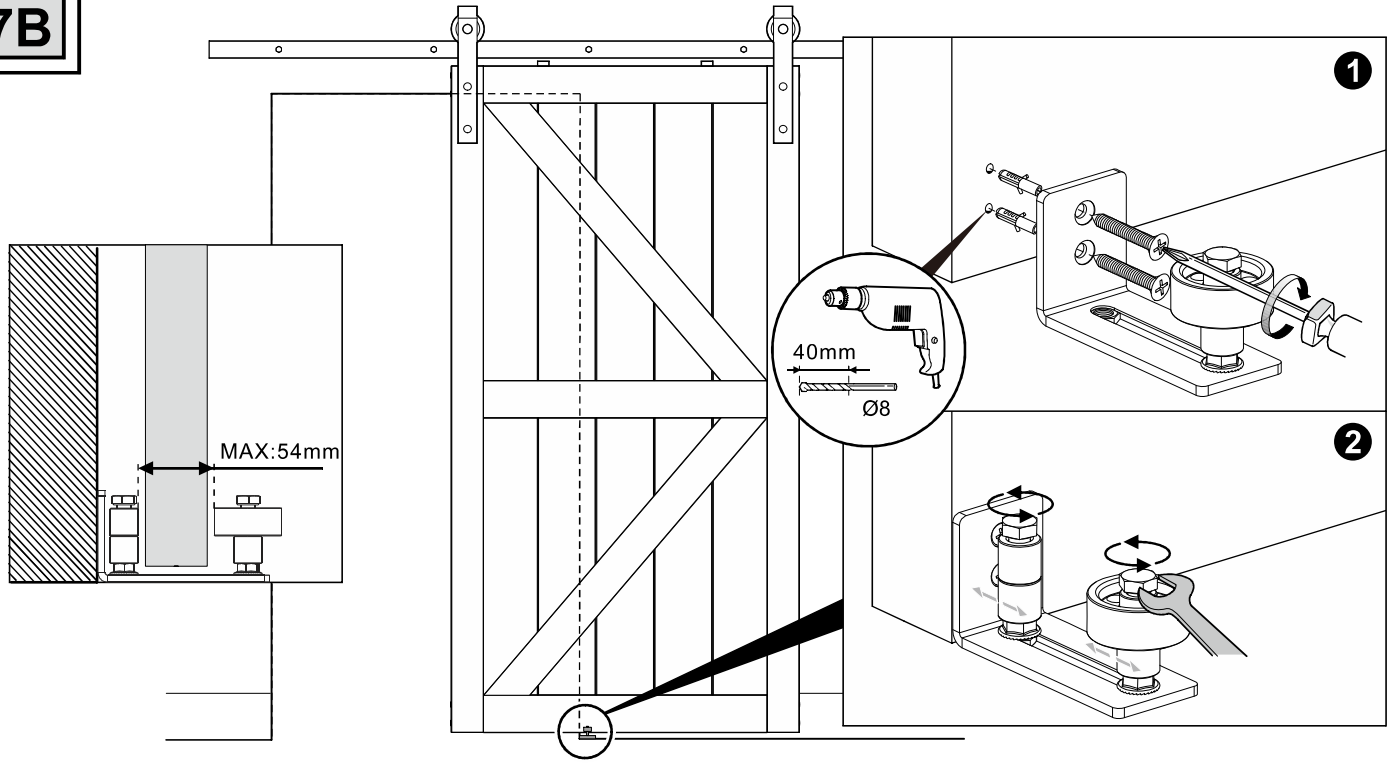




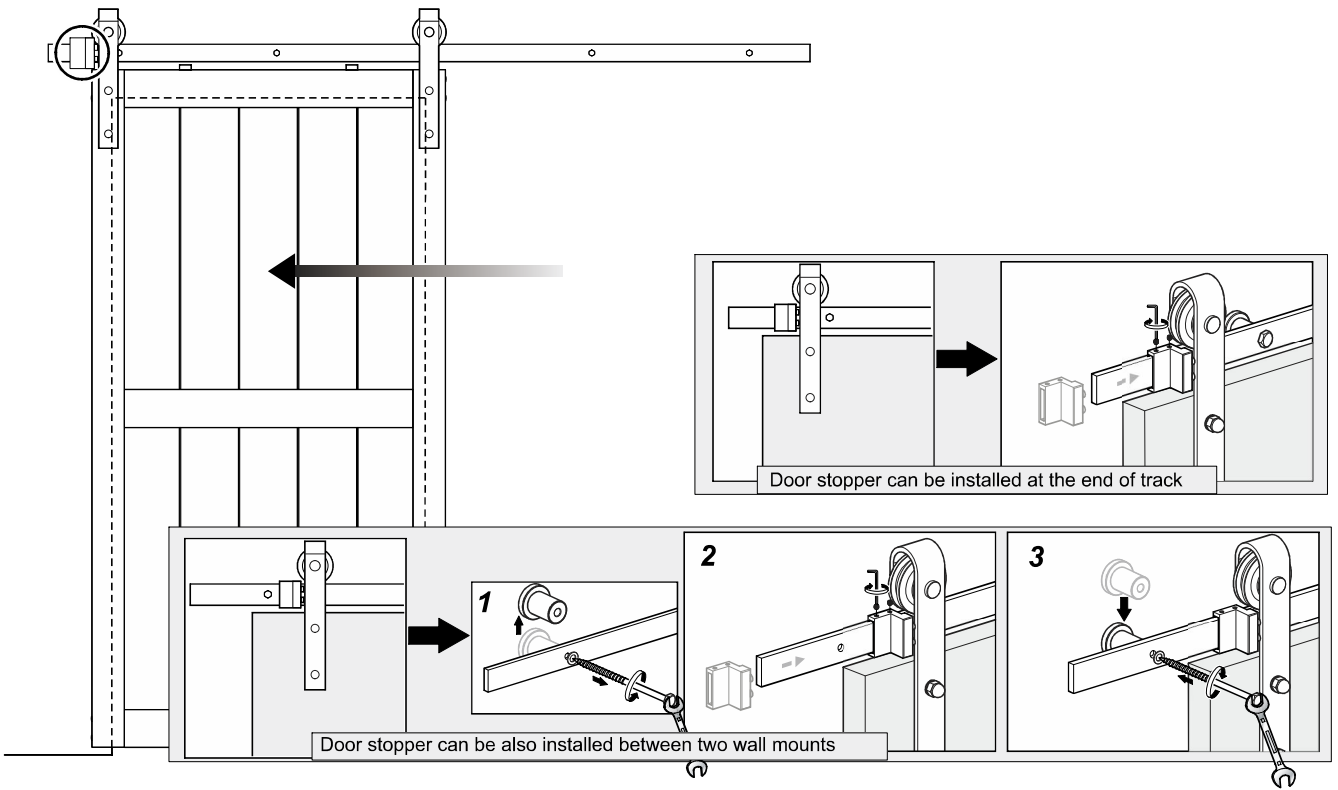
**7A**



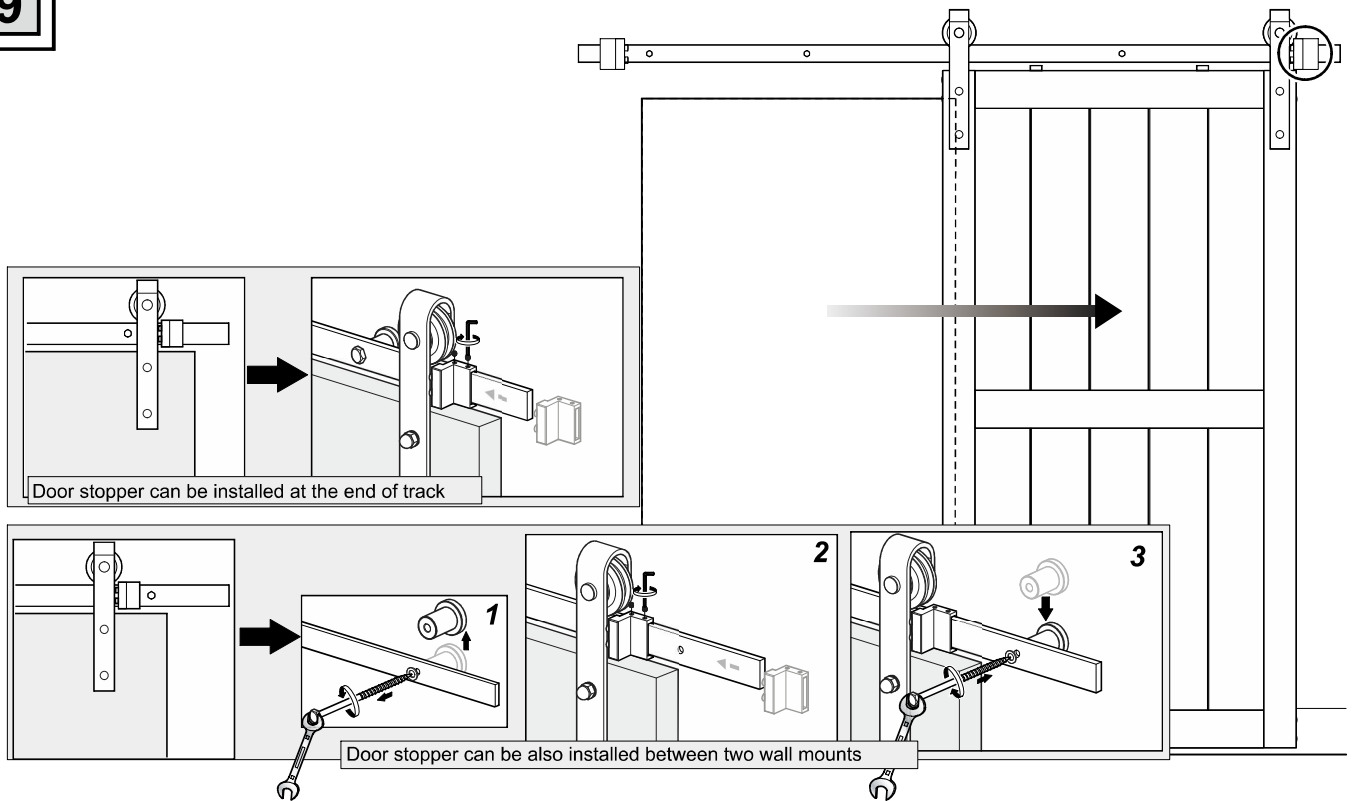
**7B**



8



9



10

