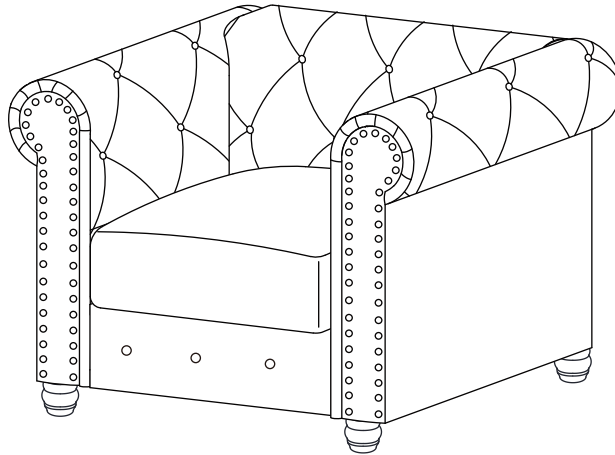
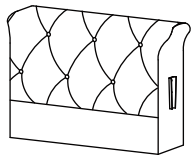
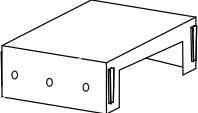


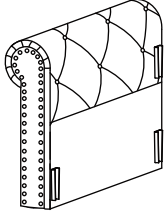
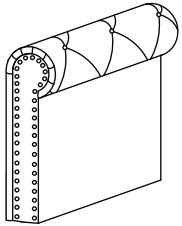


ASSEMBLY INSTRUCTIONS

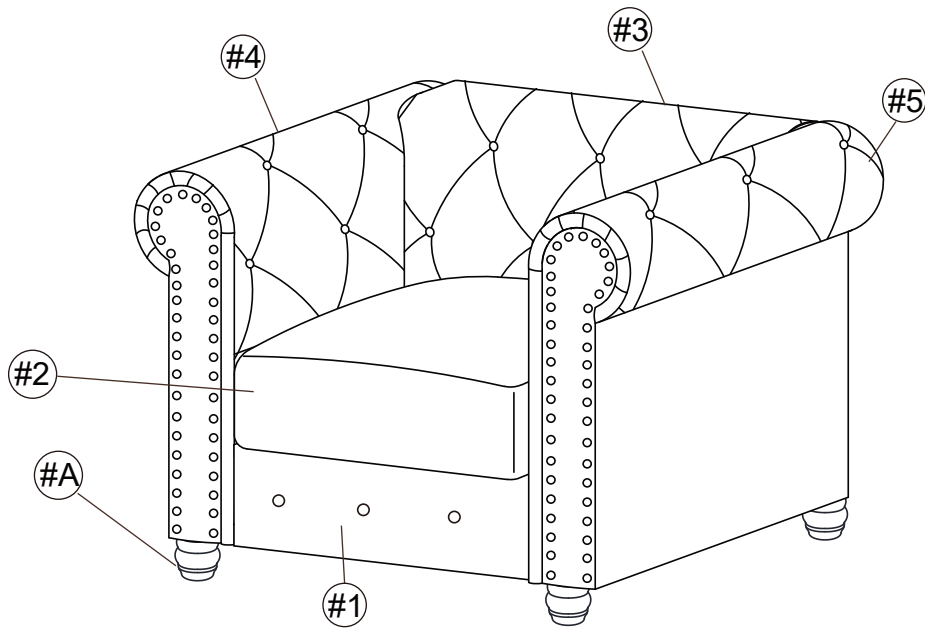
CHAIR



CHAIR is packed in 3 cases

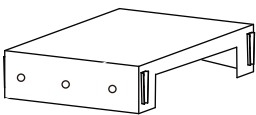
Carton	Disignation	Part	Hardware
C1	Backrest	#3 	
C2	Seat frame	#1 	 #A x 4pcs
	Seat cushion	#2 	
ARM	Left arm	#4 	
	Right arm	#5 	

ASSEMBLY INSTRUCTIONS



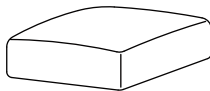
PARTS

#1 1pc



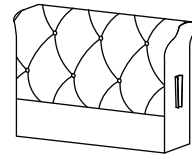
SEAT FRAME

#2 1pc



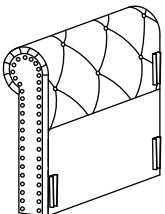
SEAT CUSHION

#3 1pc



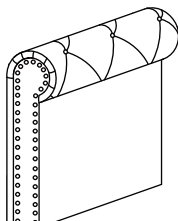
BACKREST

#4 1pc



LEFT ARM

#5 1pc



RIGHT ARM

HARDWARE

#A 4 pcs

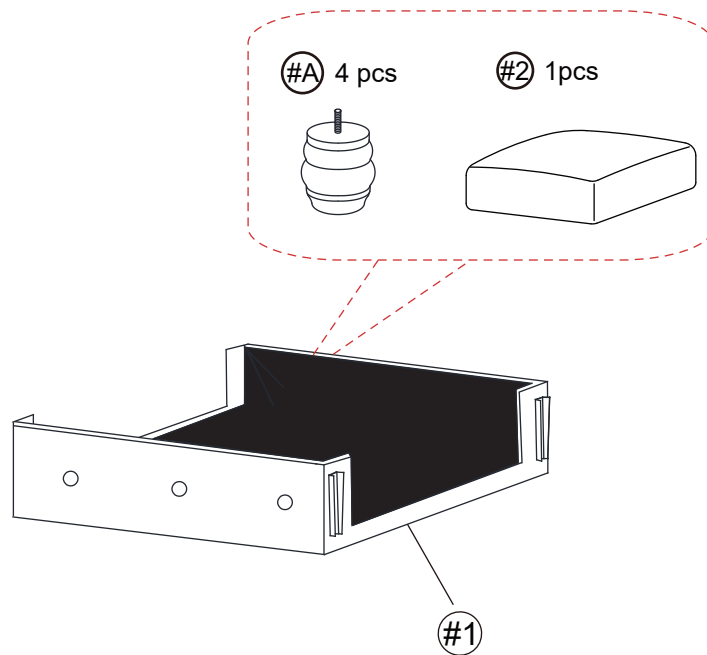


WOODEN LEG

ASSEMBLY INSTRUCTIONS

1

Part #1 x1pc

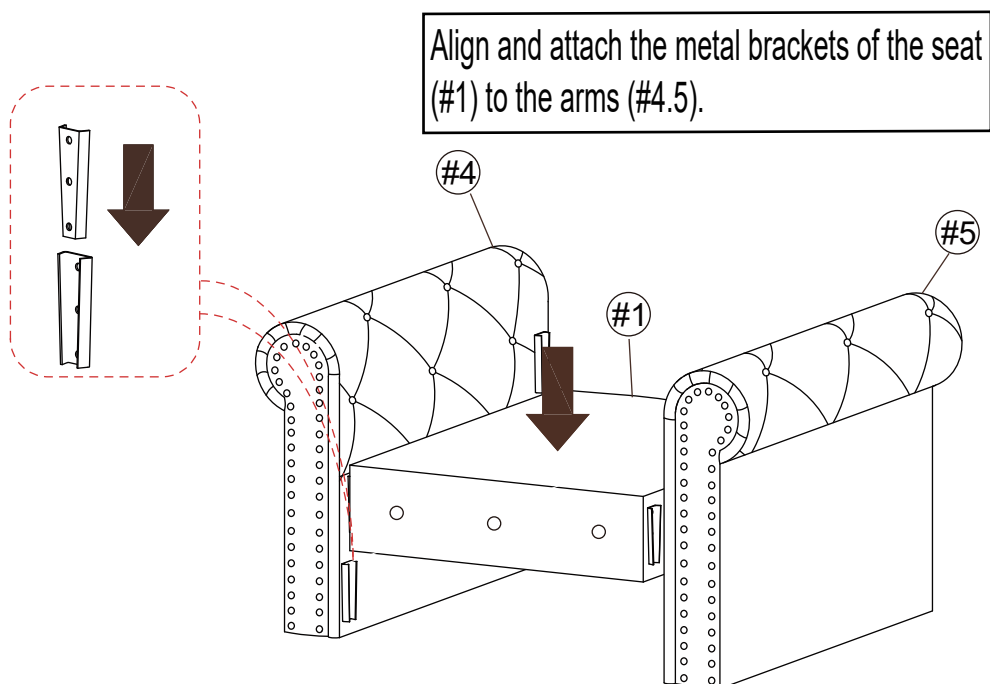


2

Part #1 x1pc

Part #4 x1pc

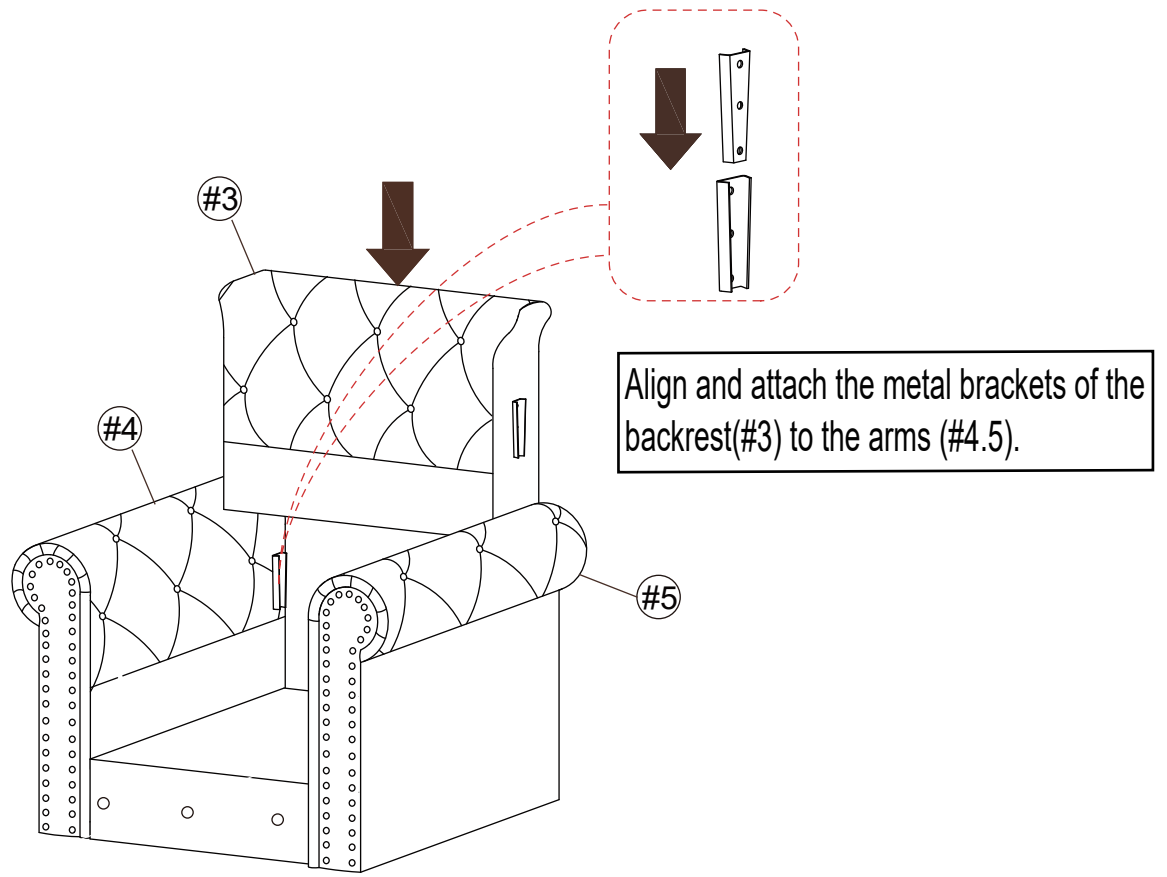
Part #5 x1pc



ASSEMBLY INSTRUCTIONS

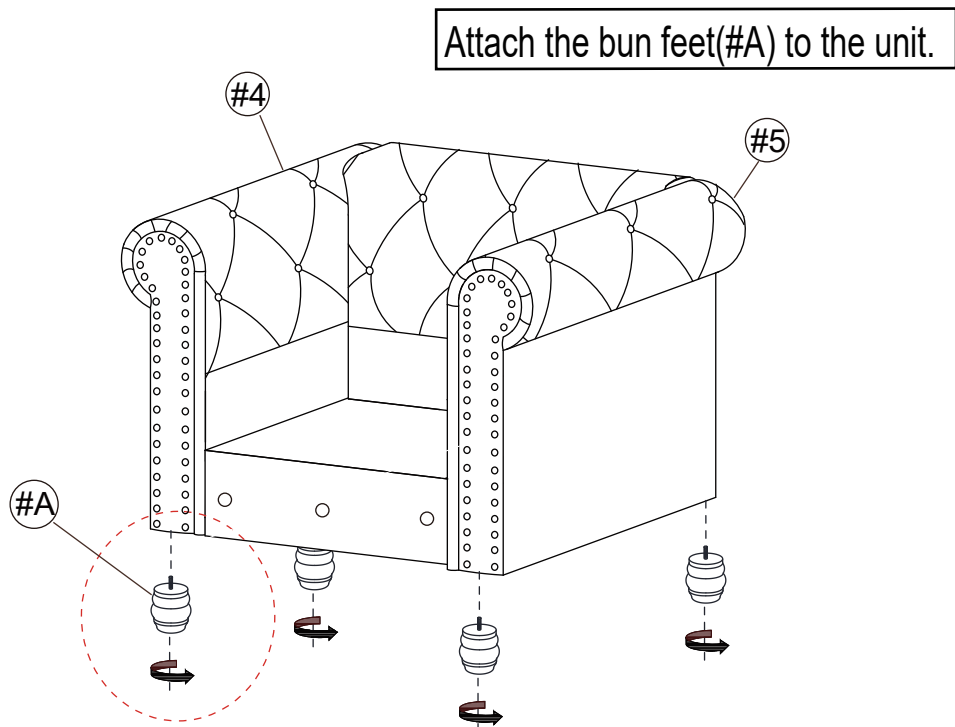
3

Part #3 x1pc



4

Hardware #A x4pcs

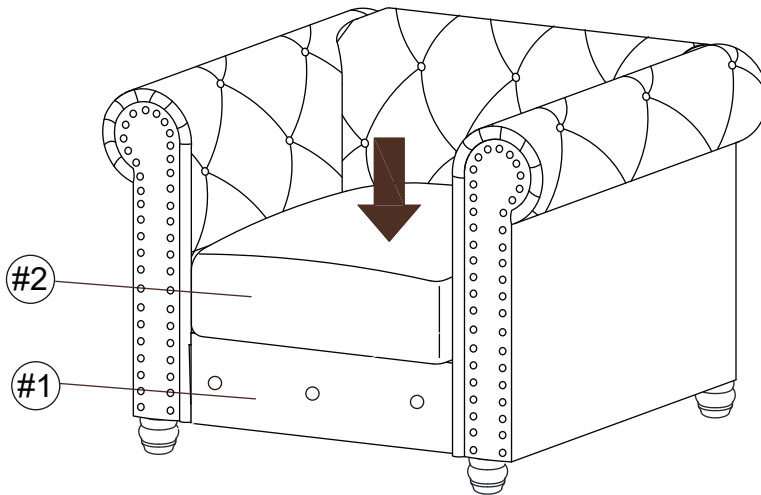


ASSEMBLY INSTRUCTIONS

5

Part #2 x1pc

Put the cushion(#2) on the seat(#1).



ASSEMBLY COMPLETED



Please ensure the furniture rests on an even and flat surface. If the product wobbles or feels loose, double-check all bolts and/or screws are properly tightened and secured.



Keep this handy!

Please retain this instruction manual and any order-related information for future reference.

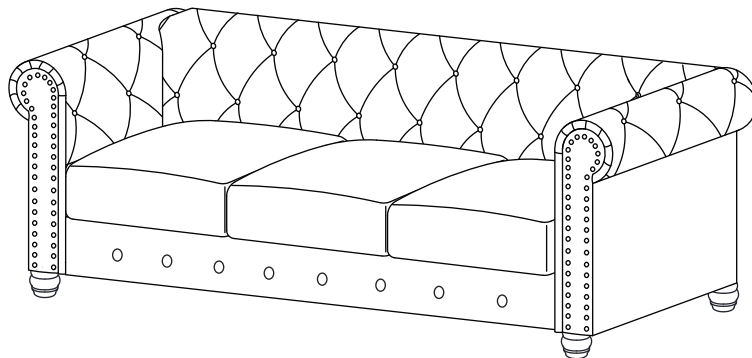


Lift, don't drag!

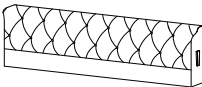
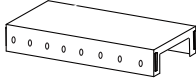

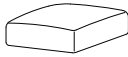
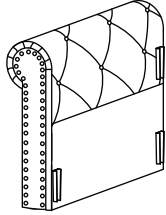
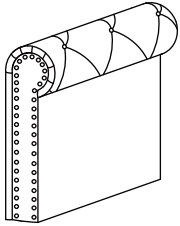
To avoid damage to product please always LIFT the product when transporting or adjusting the placement.

ASSEMBLY INSTRUCTIONS

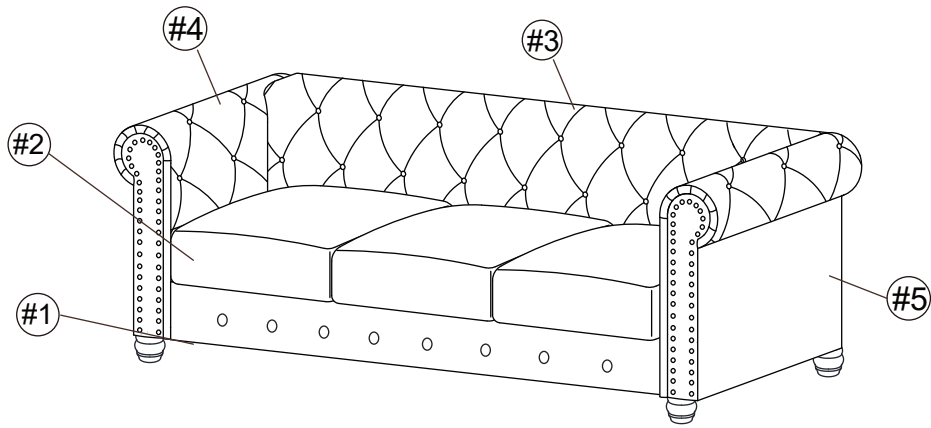
SOFA



SOFA is packed in 3 cases

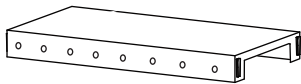
Carton	Disignation	Part	Hardware
S1	Backrest	#3 	
S2	Seat frame	#1 	 #A x 4pcs
	Seat cushion	#2 	
ARM	Left arm	#4 	
	Right arm	#5 	

ASSEMBLY INSTRUCTIONS



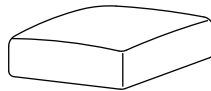
PARTS

#1 1pc



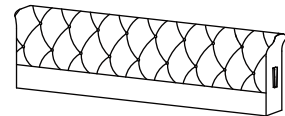
SEAT FRAME

#2 3pcs



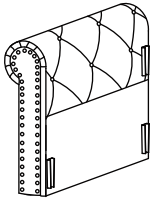
SEAT CUSHION

#3 1pc



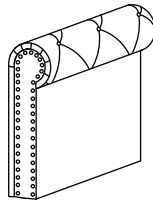
BACKREST

#4 1pc



LEFT ARM

#5 1pc



RIGHT ARM

HARDWARE

#A 4 pcs

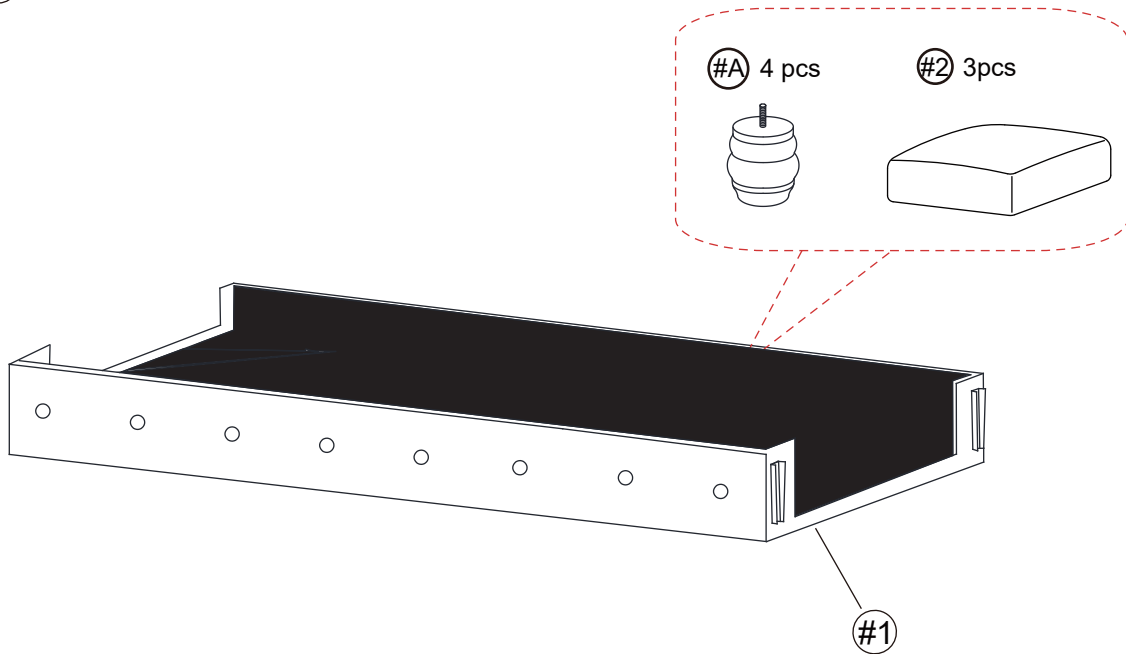


WOODEN LEG

ASSEMBLY INSTRUCTIONS

1

Part #1 x1pc

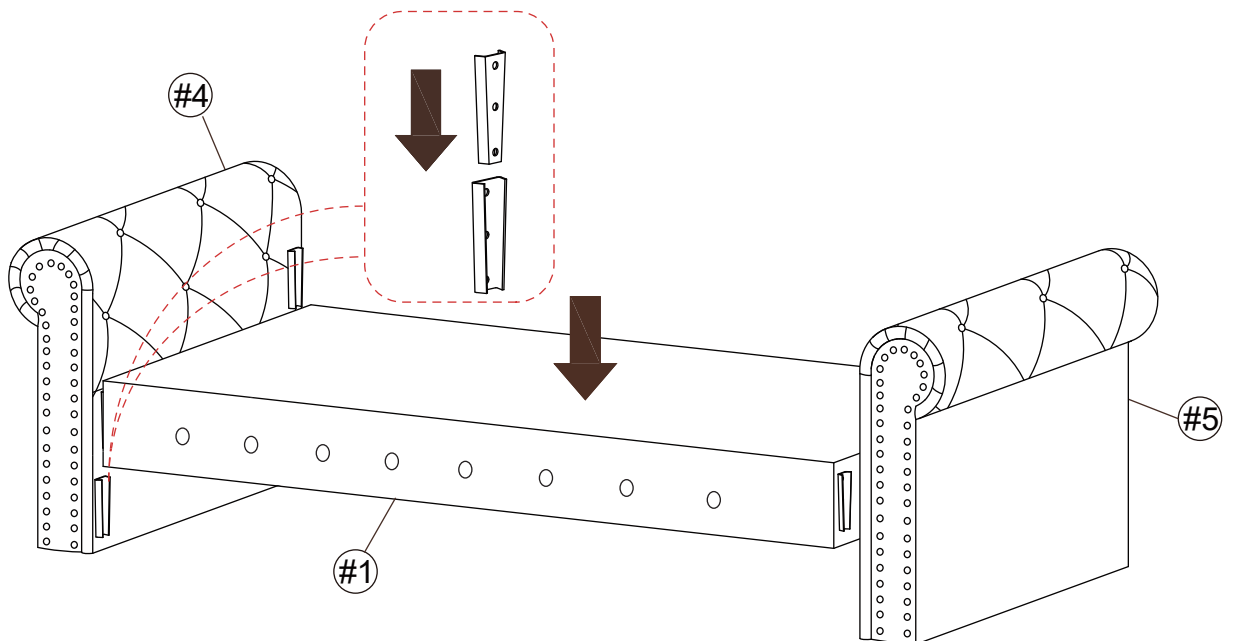


2

Part #4 x1pc

Part #5 x1pc

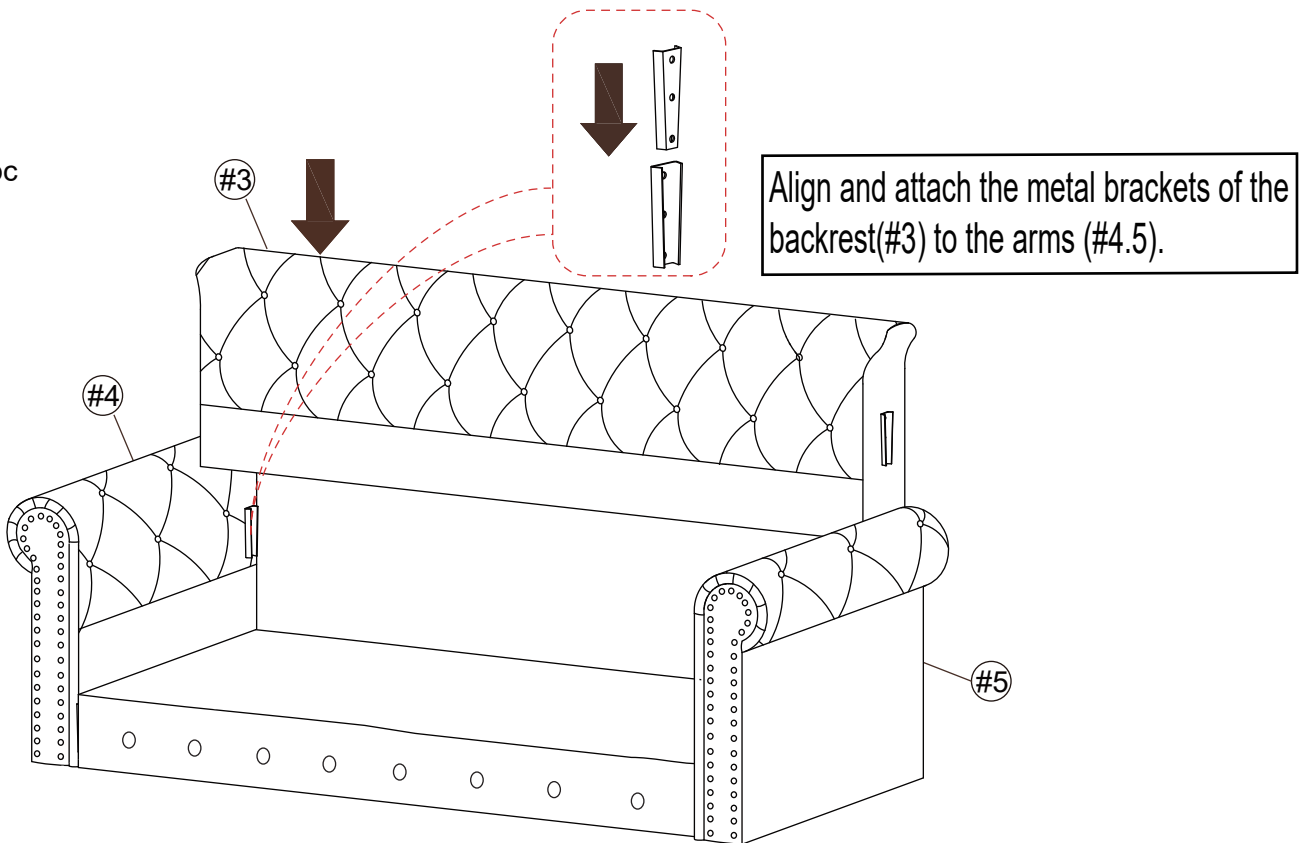
Align and attach the metal brackets of the seat (#1) to the arms (#4.5).



ASSEMBLY INSTRUCTIONS

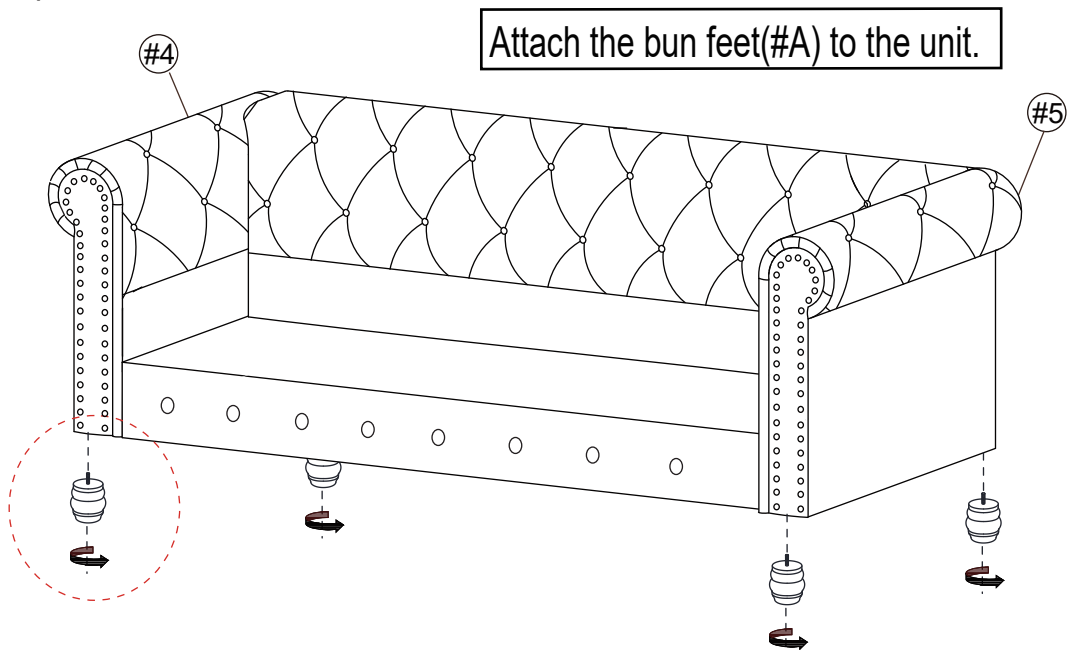
3

Part #3 x1pc



4

Hardware #A x4pcs

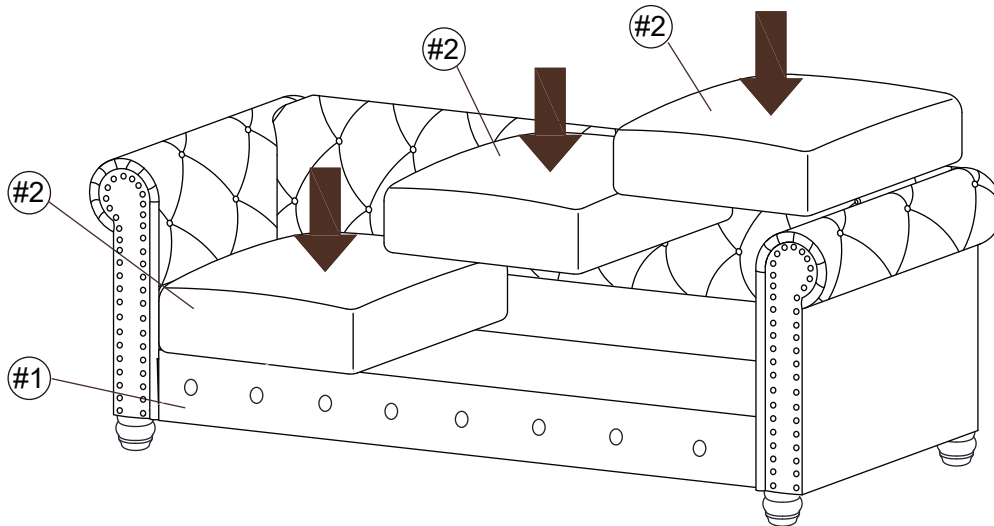


ASSEMBLY INSTRUCTIONS

5

Part #2 x3pcs

Put the cushion(#2) on the seat(#1).



ASSEMBLY COMPLETED



Please ensure the furniture rests on an even and flat surface. If the product wobbles or feels loose, double-check all bolts and/or screws are properly tightened and secured.



Keep this handy!

Please retain this instruction manual and any order-related information for future reference.



Lift, don't drag!

To avoid damage to product please always LIFT the product when transporting or adjusting the placement.