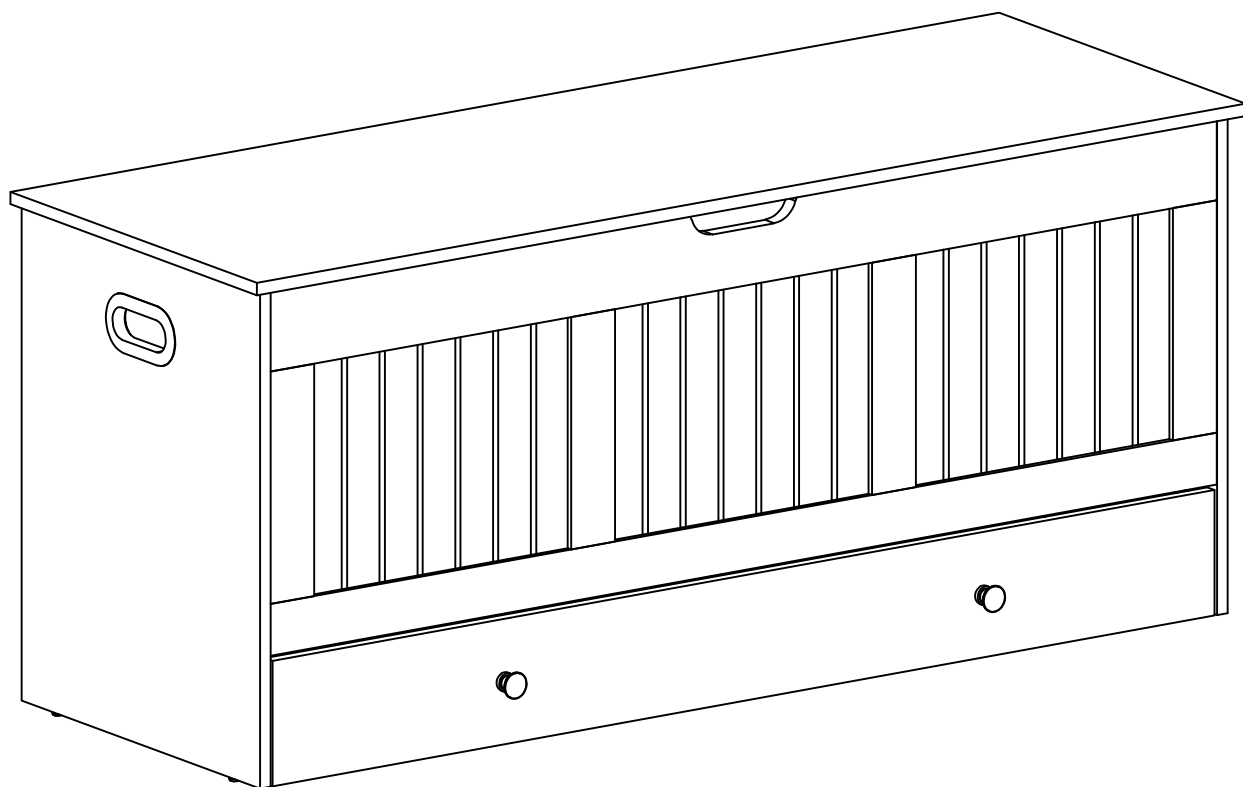


# Storage stool

## ASSEMBLY INSTRUCTIONS

---



## General Guidelines

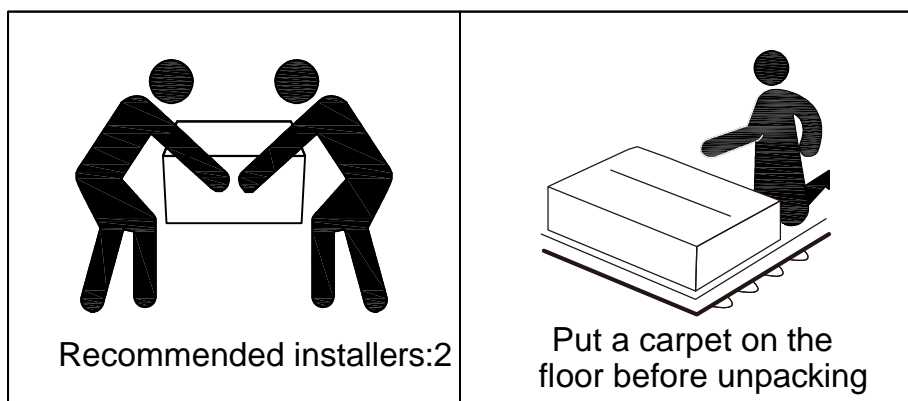
- \* Please read the following instruction carefully and use the product accordingly.
- \* Please keep this manual and hand it over when you transfer the product.
- \* This summary may not include every detail of all variations and considered steps. Please contact us when further information and help are needed.

## Notes

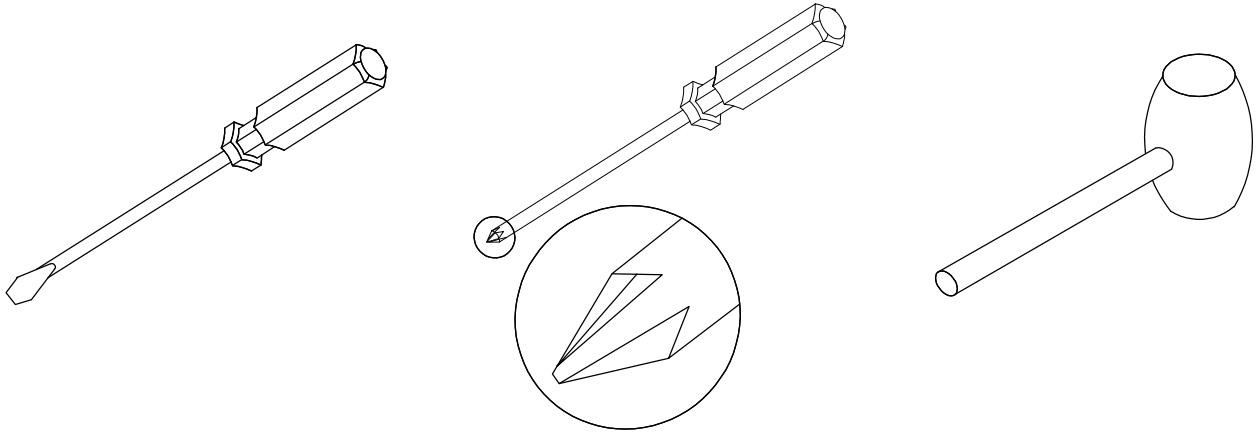
- \* The product is intended for indoor use only. The product must be assembled and used in accordance with the provisions of the manual. Personal injury and/or damage to product may occur if products are used outside of their intended purposes and/or if products have been changed/modified from their original design. The seller does not assume any responsibility or liability with respect to any injury/damage caused by incorrect assembly or improper use.
- \* If there are any defective or missing parts after unpacking, please cease assembly immediately and contact us.
- \* Please wear gloves during the assembly and/or disassembly process to avoid scratches from any sharp edges..
- \* Please place this item on level, solid ground during use.
- \* Avoid long-term exposure to humid environments to prevent mildew.
- \* Keep the product away from fire sources and high temperatures. Do not expose the product to direct sunlight.
- \* Do not place any hot objects on the surface of the product.
- \* **Do not fully tighten the screws during initial assembly. Fully tighten screws only once all pieces which are correctly assembled**

## Warnings

- \* Children are not allowed to assemble the product. During assembly, keep all any small parts out of the reach of children as they may be fatal if swallowed or inhaled.
- \* Children are forbidden to climb or play on the product to avoid serious bodily injury caused by the toppling.
- \* Keep plastic packing bags out of reach of children to avoid any potential danger, such as suffocation.
- \* The product should be attached to the wall with the included anti-tipping kit to prevent personal injury caused by accidentally tipping over.



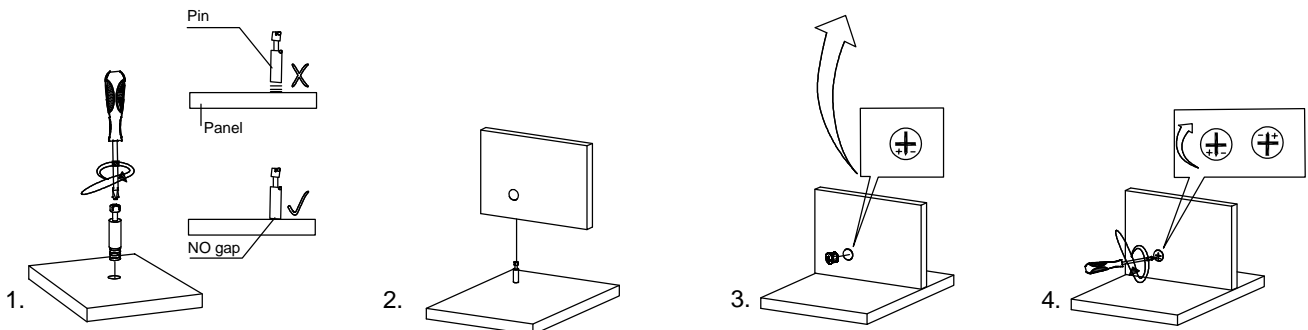
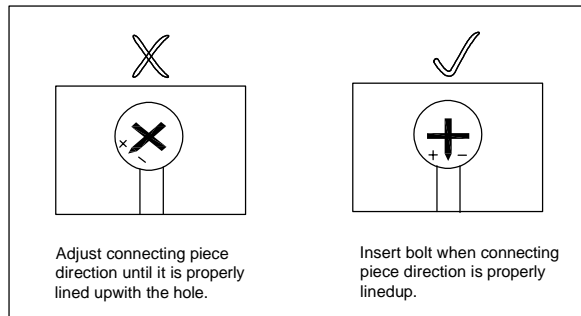
# ASSEMBLY TOOLS REQUIRED (NOT INCLUDED)



Bolt

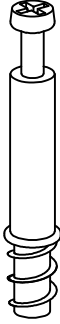


Connecting piece



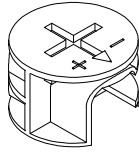
# Hardware Provided

A



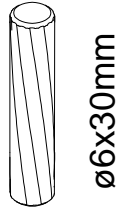
X 12+2

B



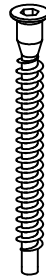
X 12+2

C



X 10+1

D



X 24+2

E



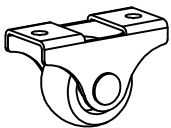
X 2

F



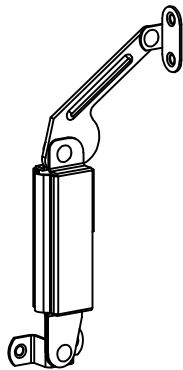
X 2+1

G



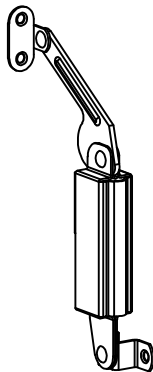
X 4

H



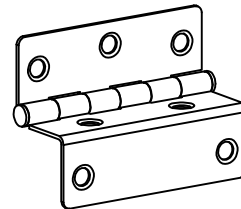
X 1

I



X 1

J



X 2

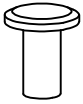
K



X 18+2

# Hardware Provided

L



X 4+1

M



X4+1

N



X 10+1

O



X4+1

P



X 14+2

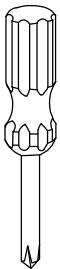
Q



X1

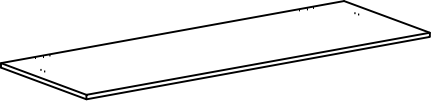
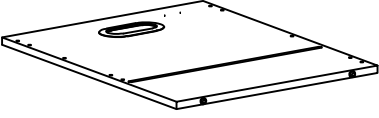
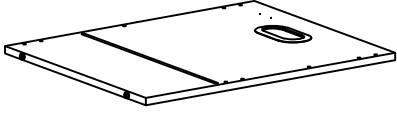
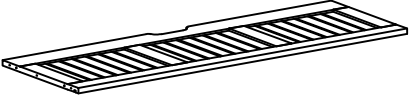
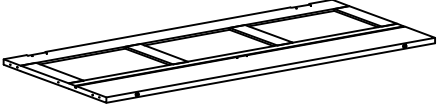
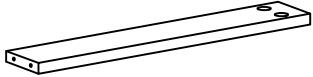

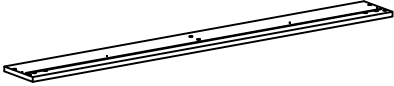

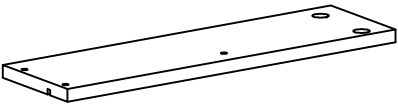
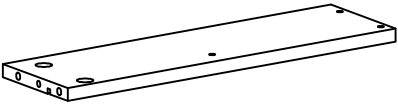
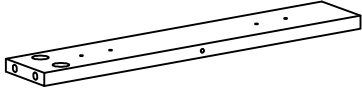
---

R

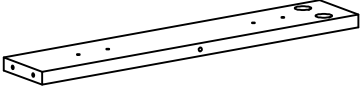
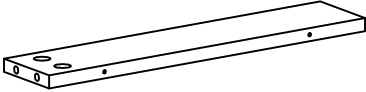
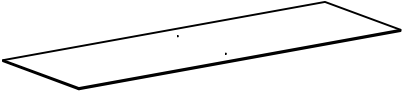


X 1

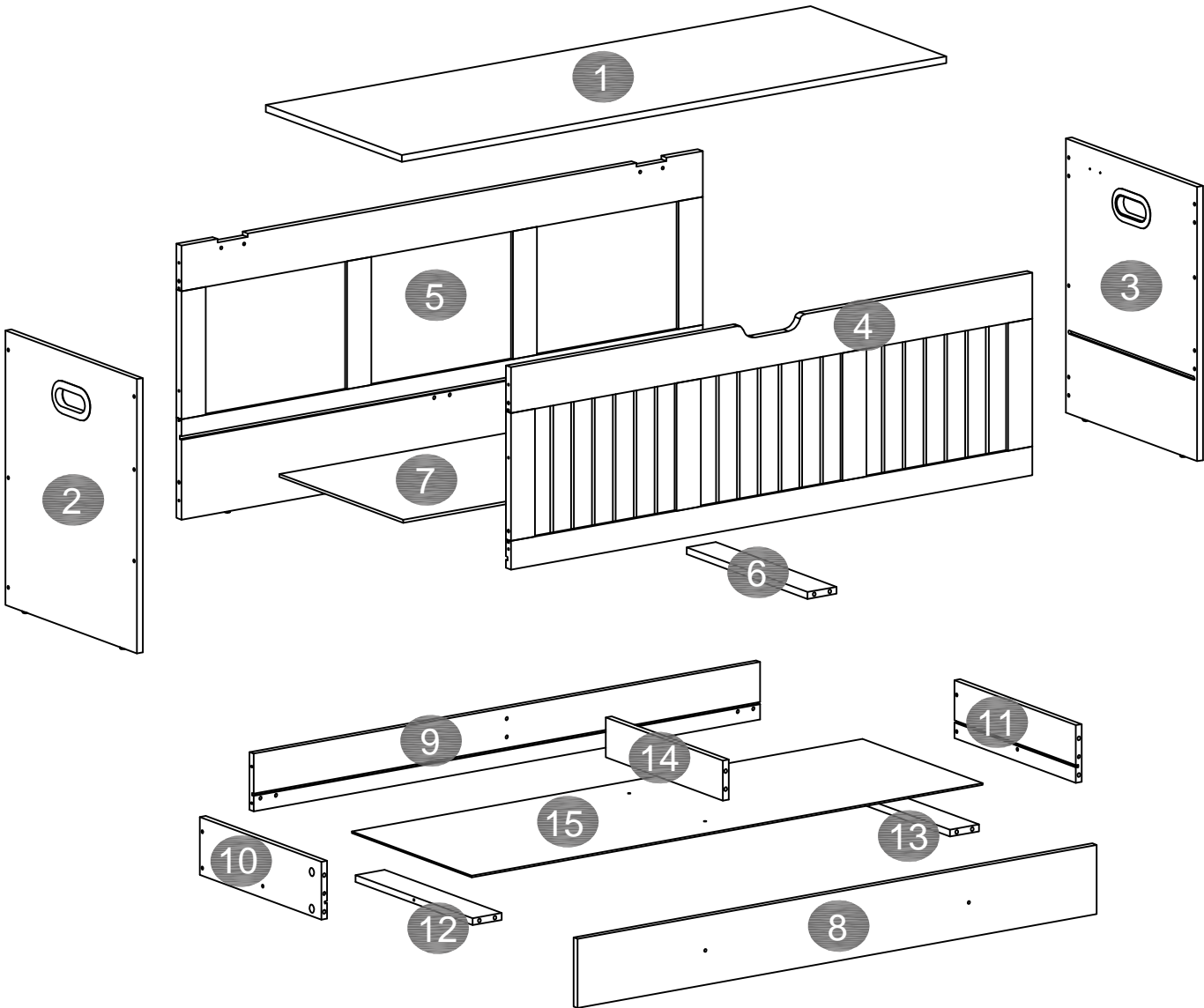
# Parts Identification

<p>1</p>  <p>X 1</p>	<p>2</p>  <p>X 1</p>	<p>3</p>  <p>X 1</p>
<p>4</p>  <p>X 1</p>	<p>5</p>  <p>X 1</p>	<p>6</p>  <p>X 1</p>
<p>7</p>  <p>X 1</p>	<p>8</p>  <p>X 1</p>	<p>9</p>  <p>X 1</p>
<p>10</p>  <p>X 1</p>	<p>11</p>  <p>X 1</p>	<p>12</p>  <p>X 1</p>

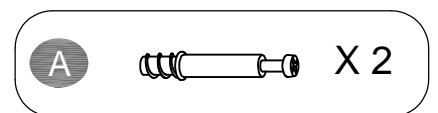
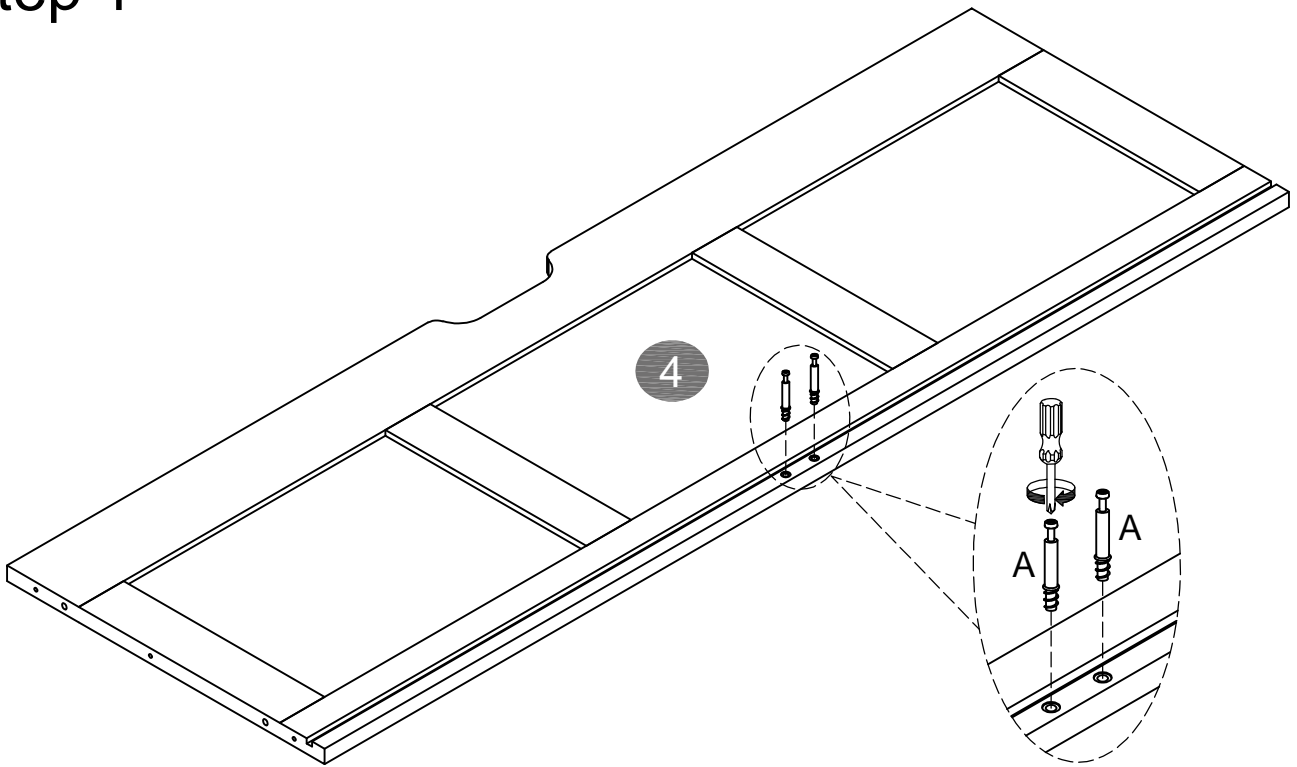
# Parts Identification

<p>13</p>  <p>X 1</p>	<p>14</p>  <p>X 1</p>	<p>15</p>  <p>X 1</p>
--	--	--

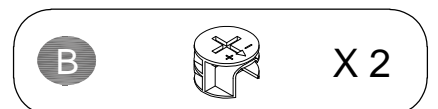
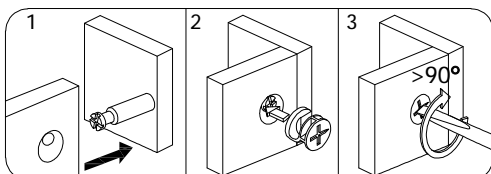
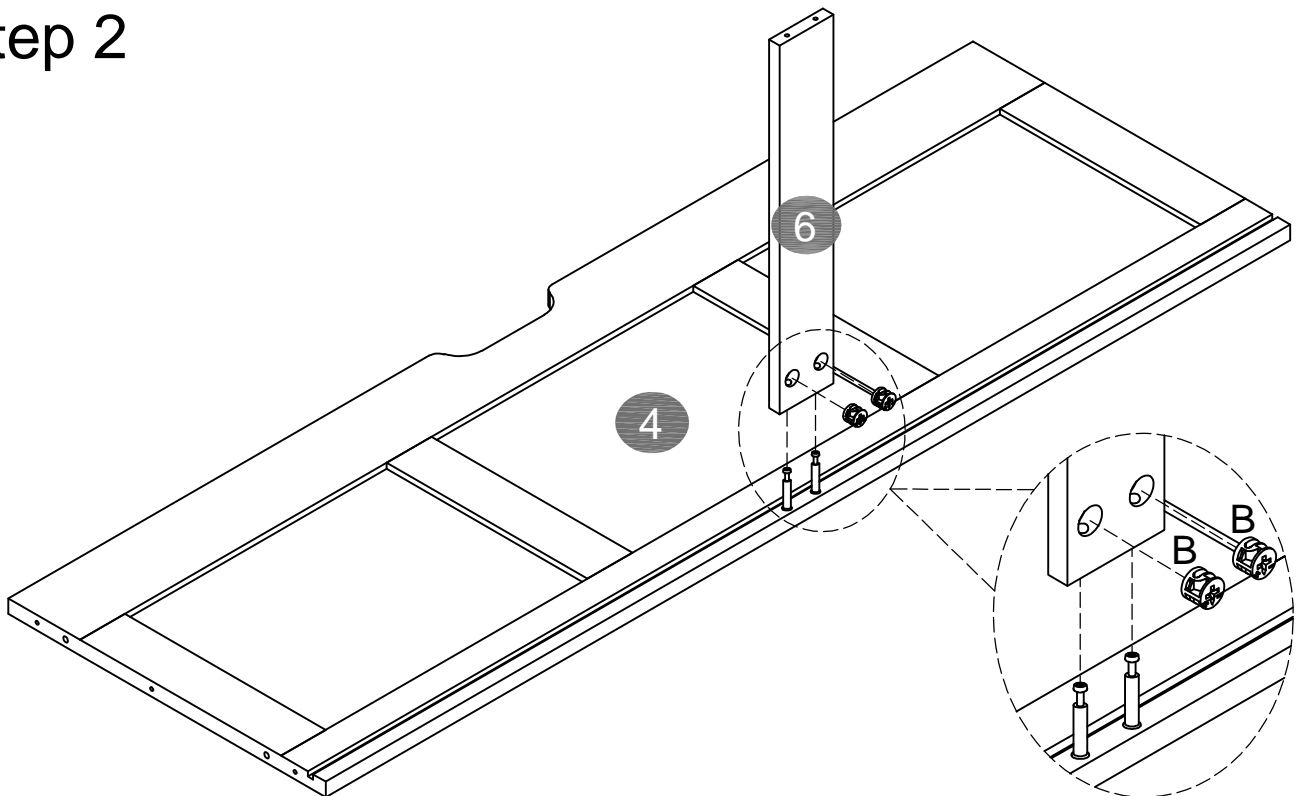
# Exploded View



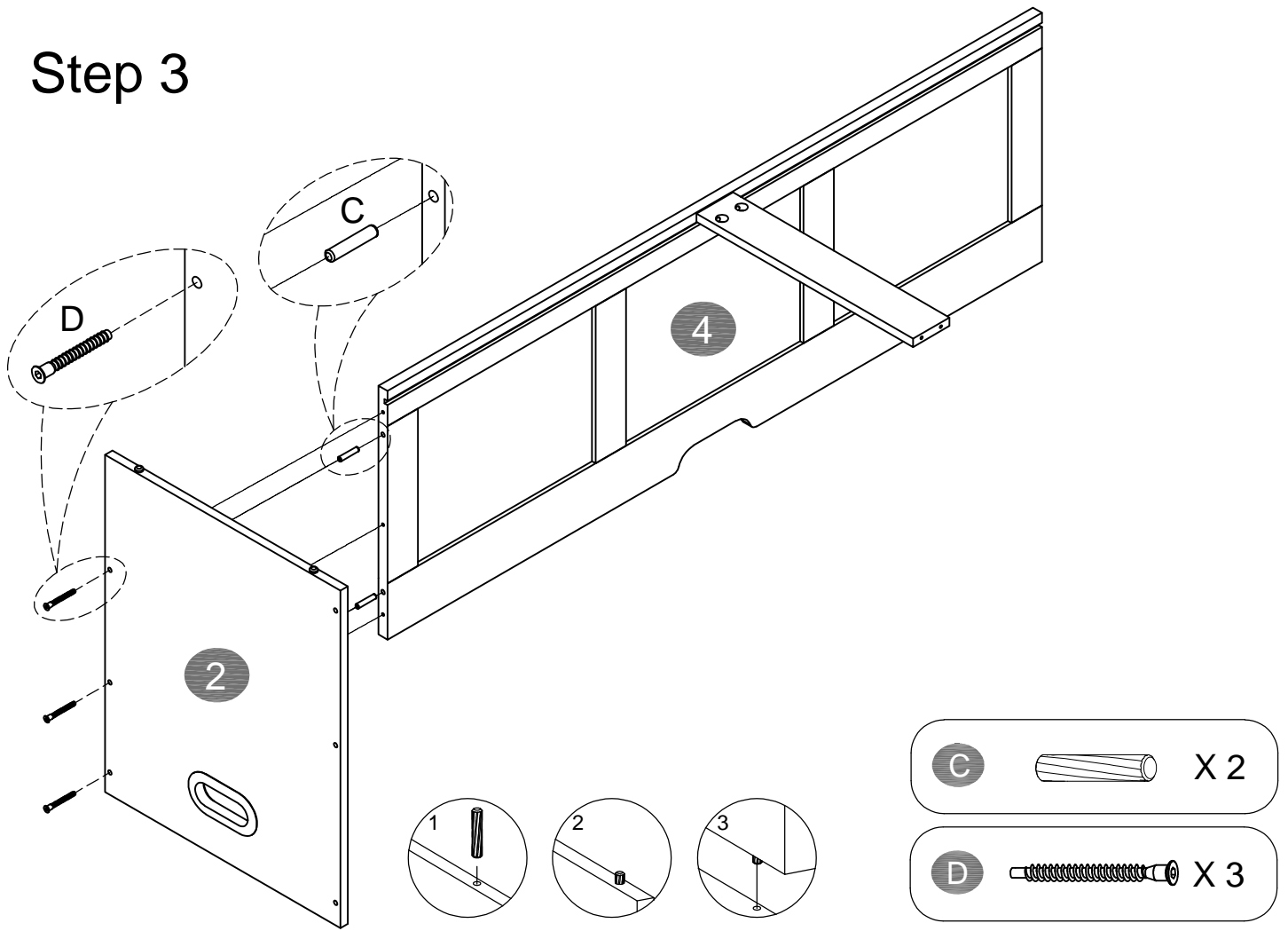
# Step 1



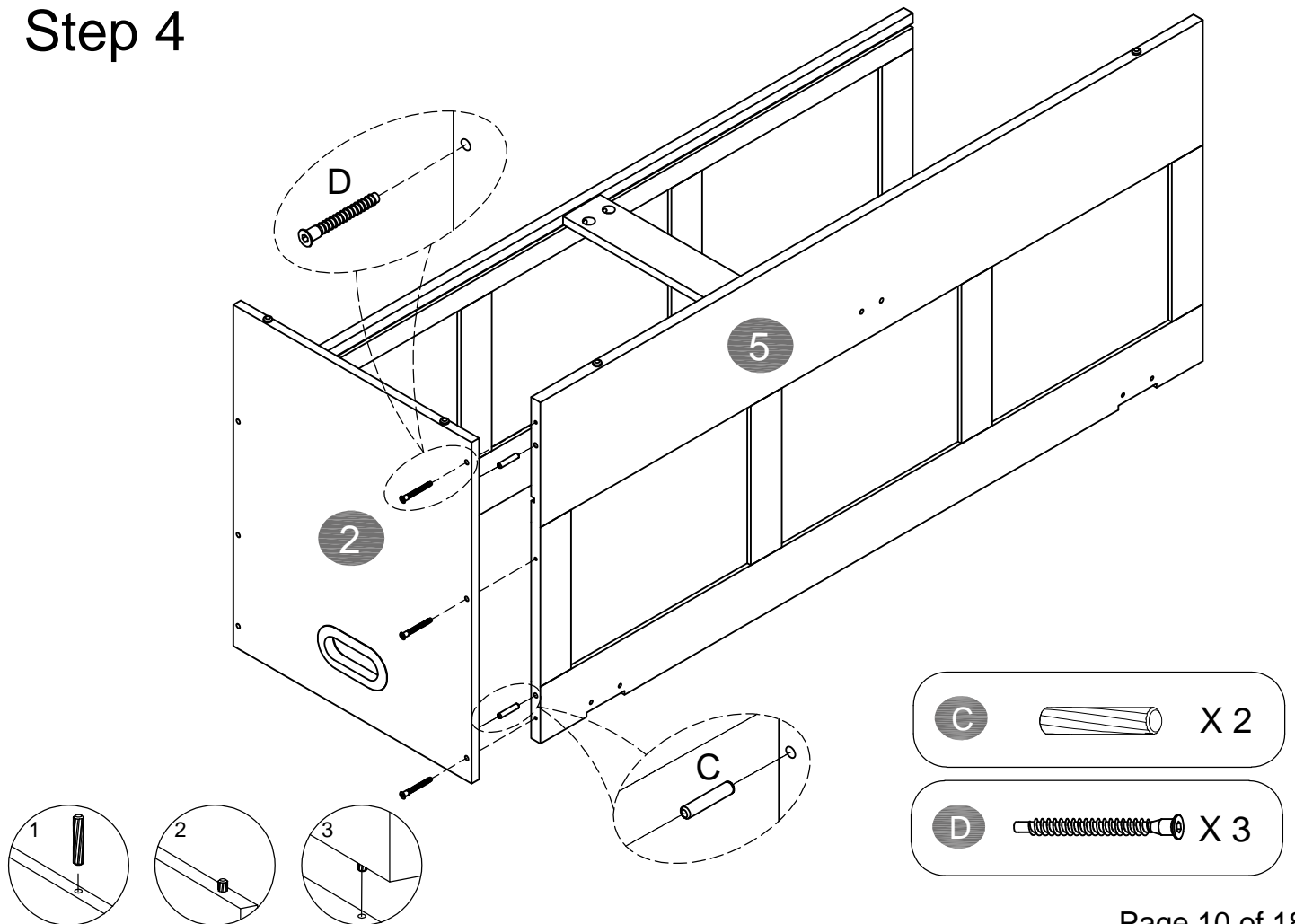
# Step 2



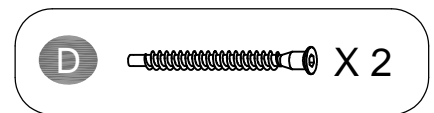
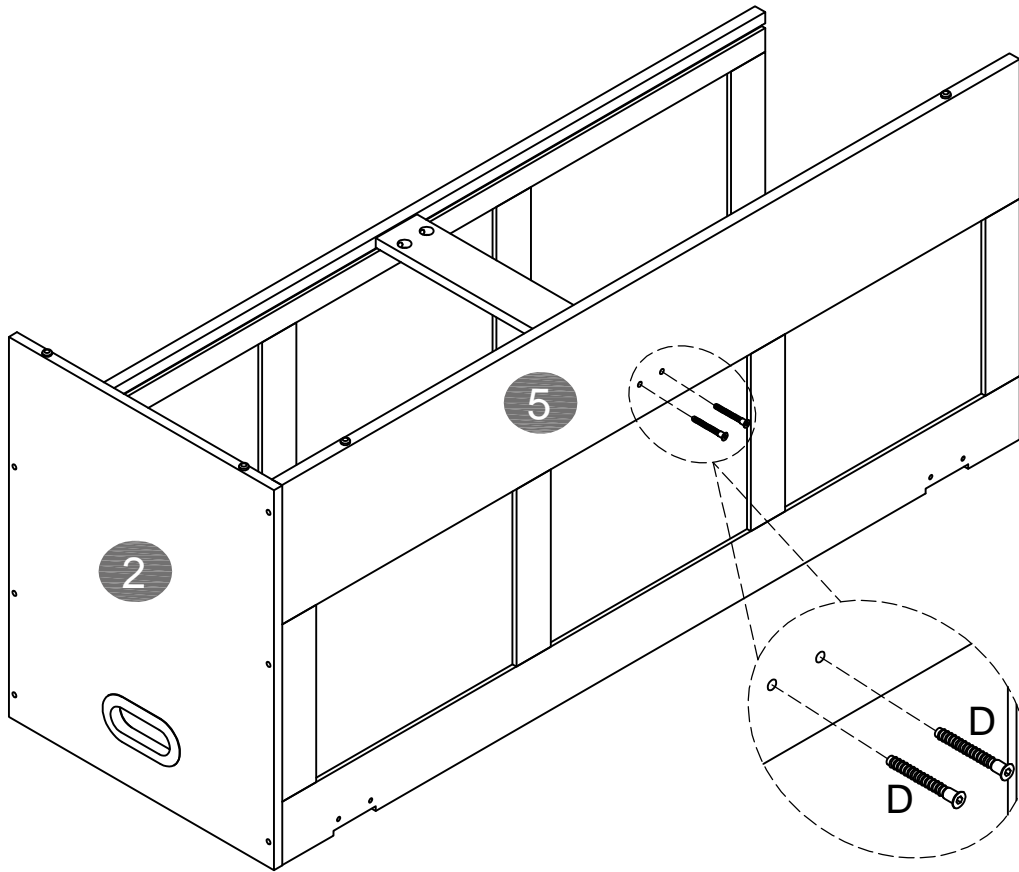
# Step 3



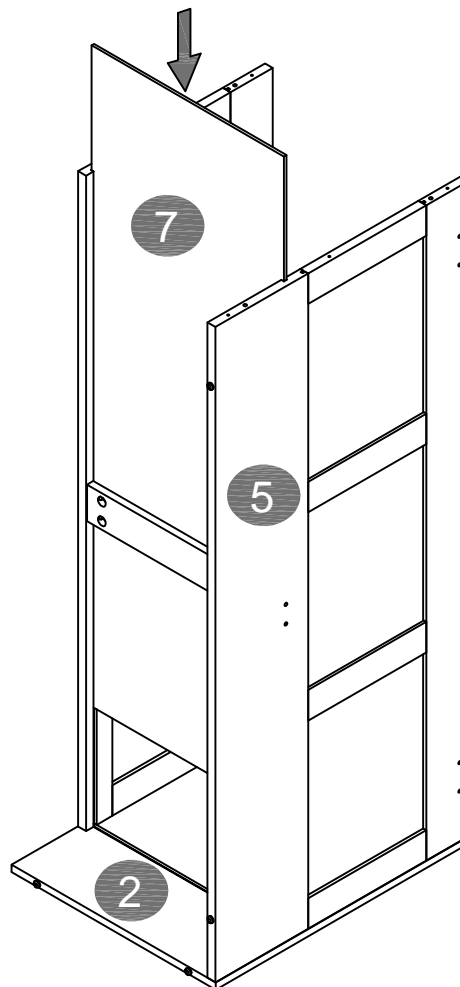
# Step 4



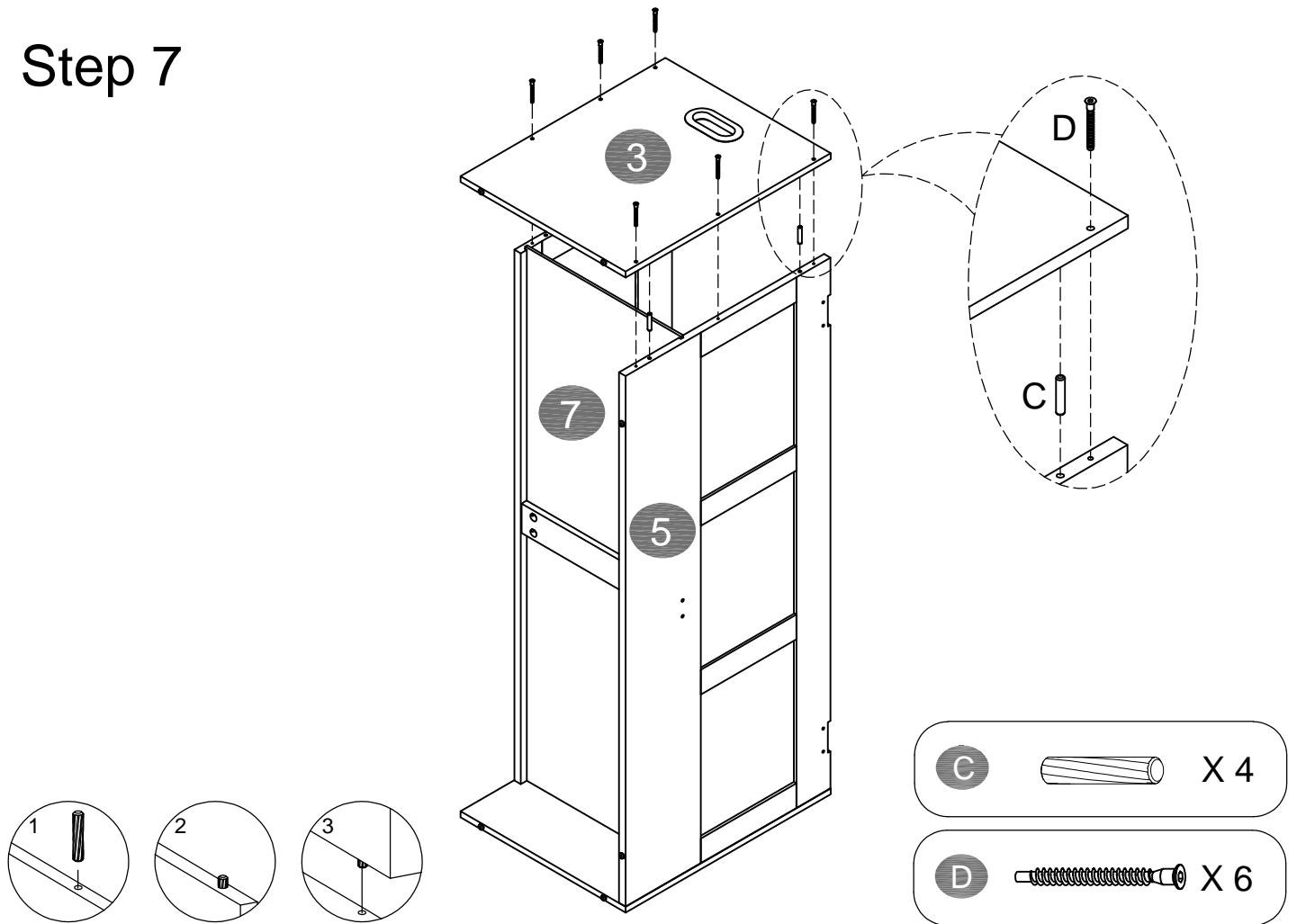
# Step 5



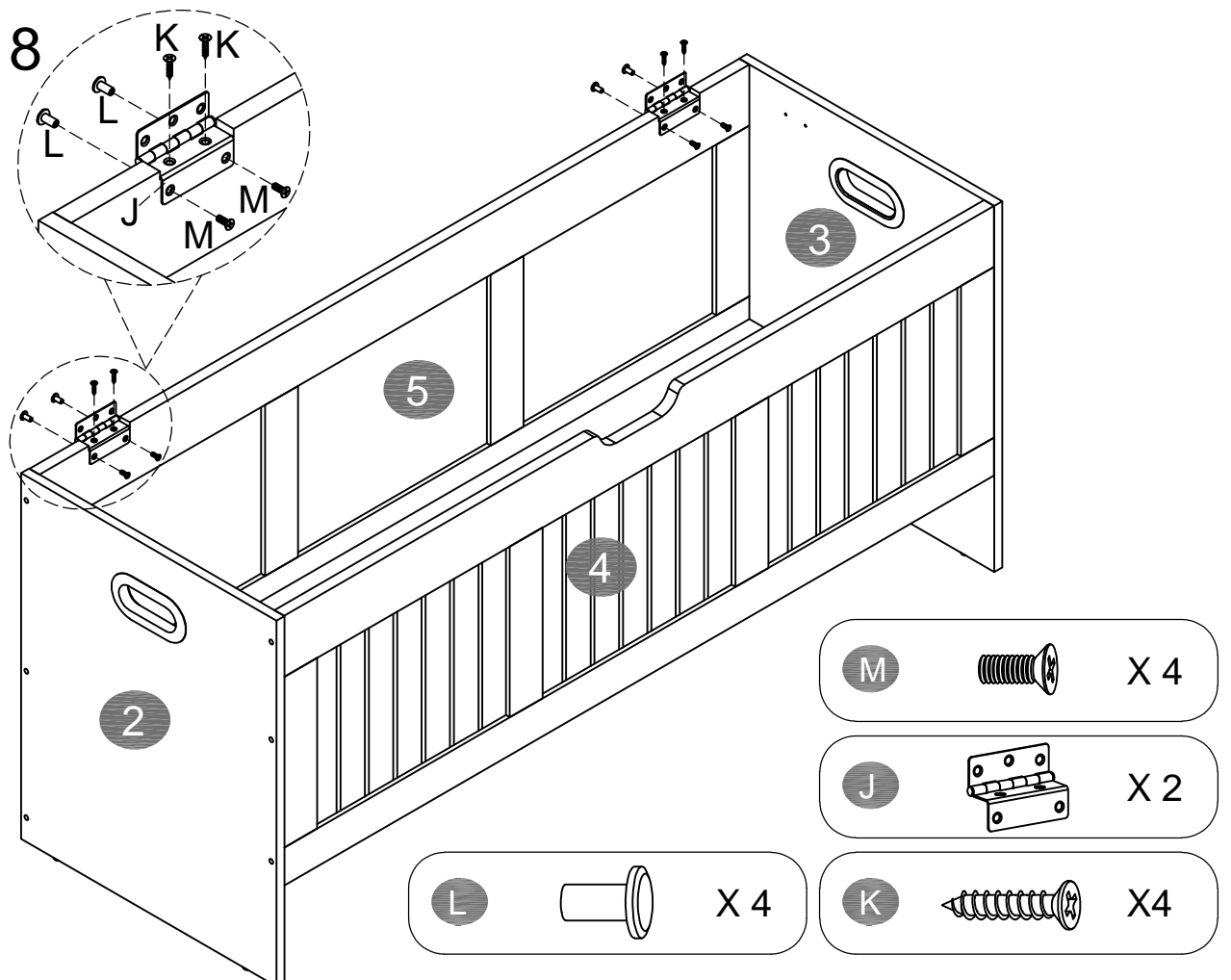
# Step 6



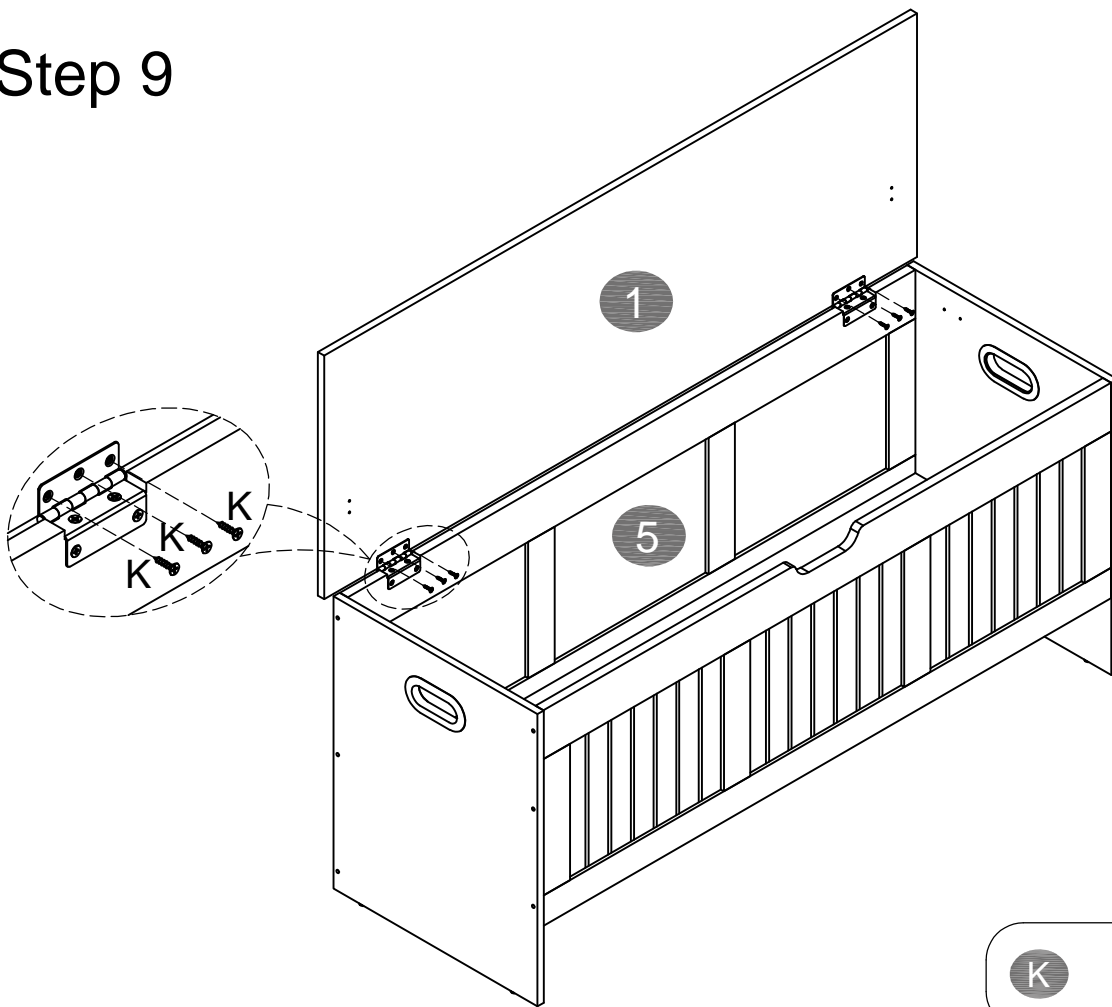
# Step 7

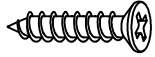


# Step 8

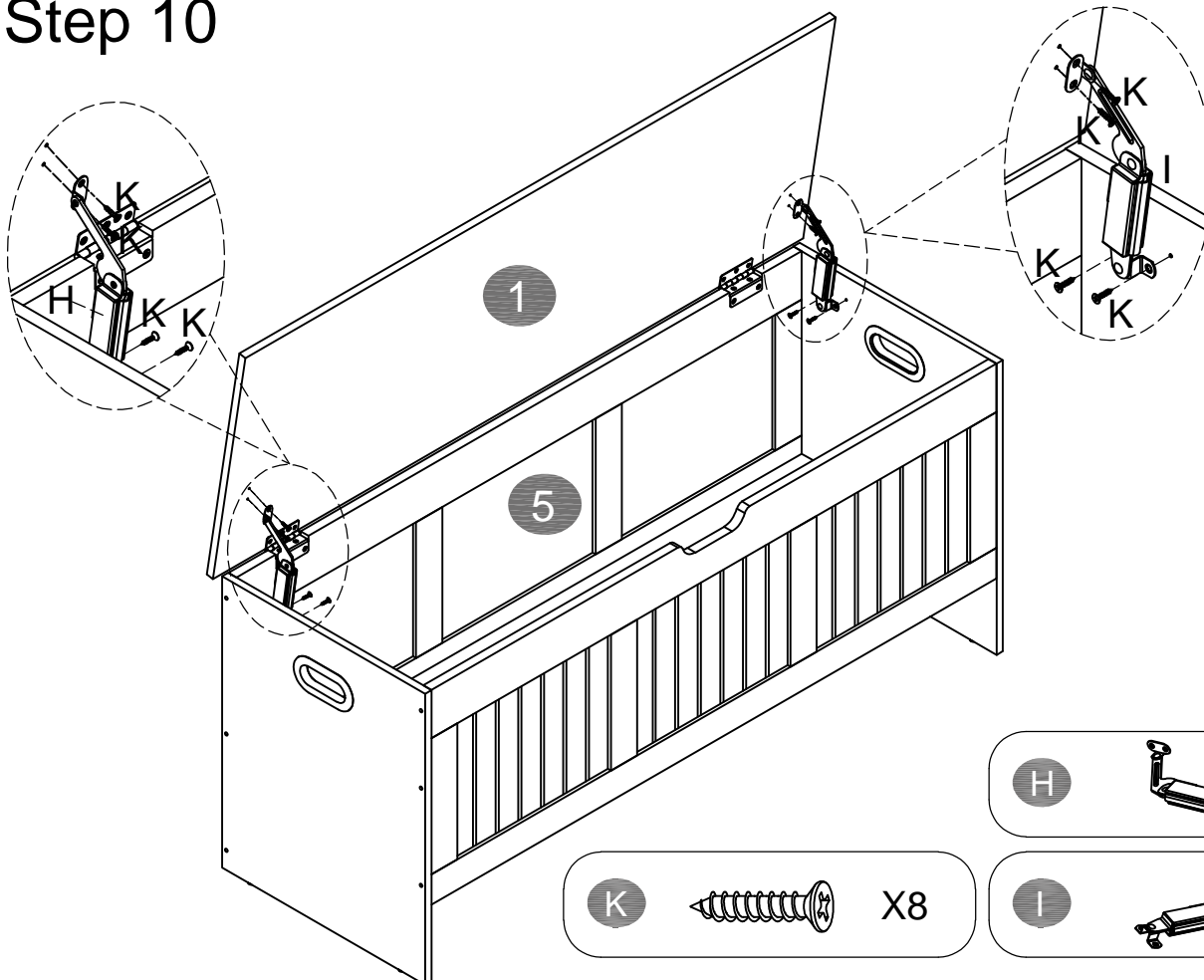



# Step 9

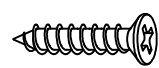


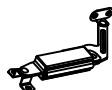
- K**  X6

# Step 10

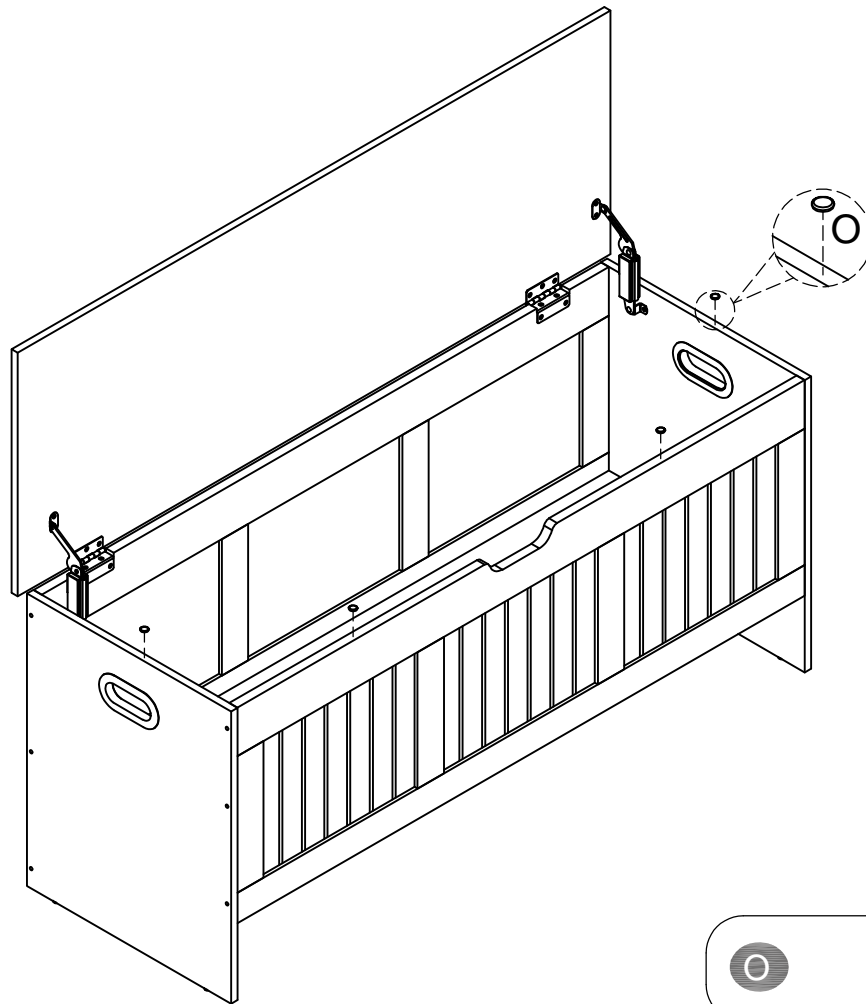


- H**  X1

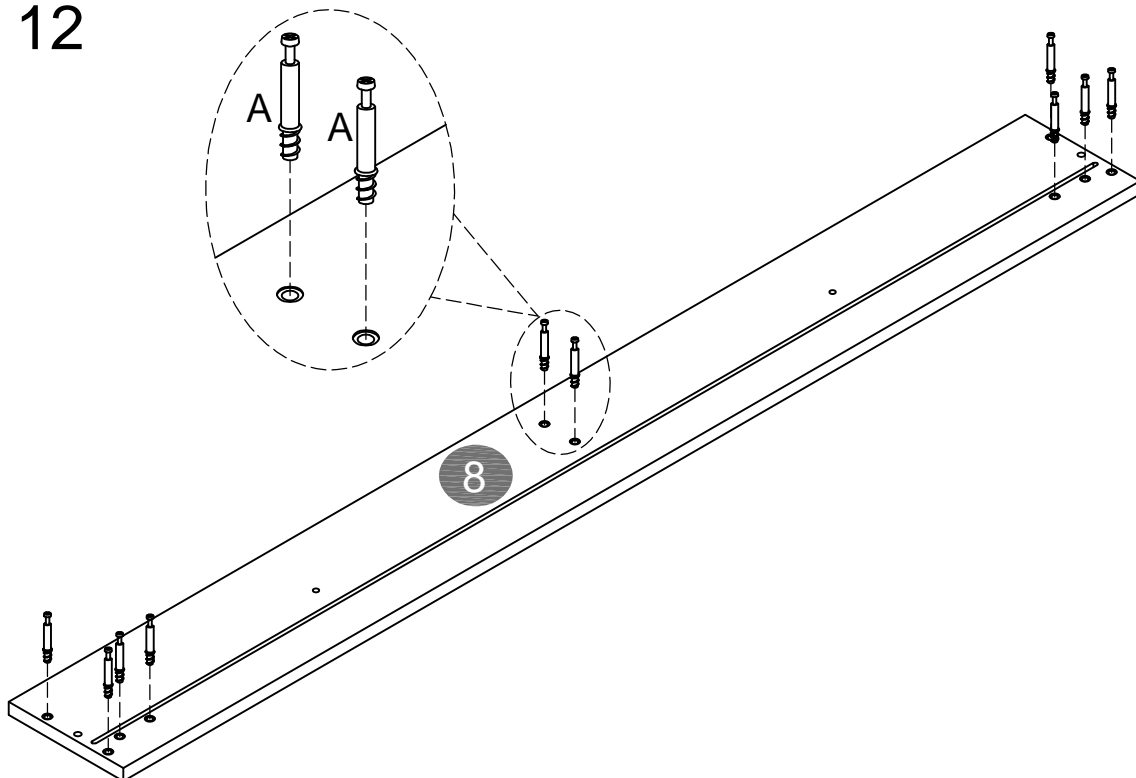
- K**  X8

- I**  X1

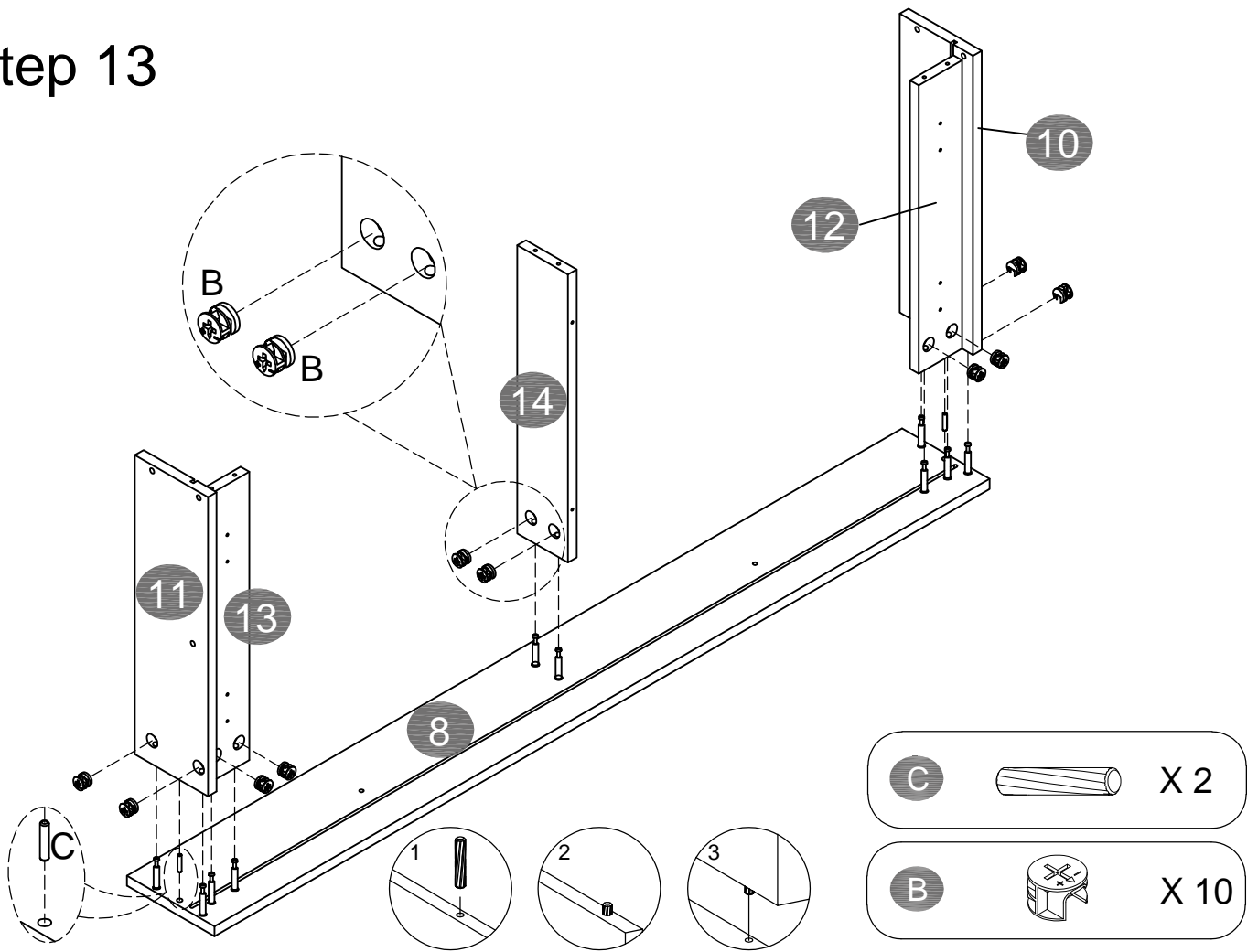
# Step 11



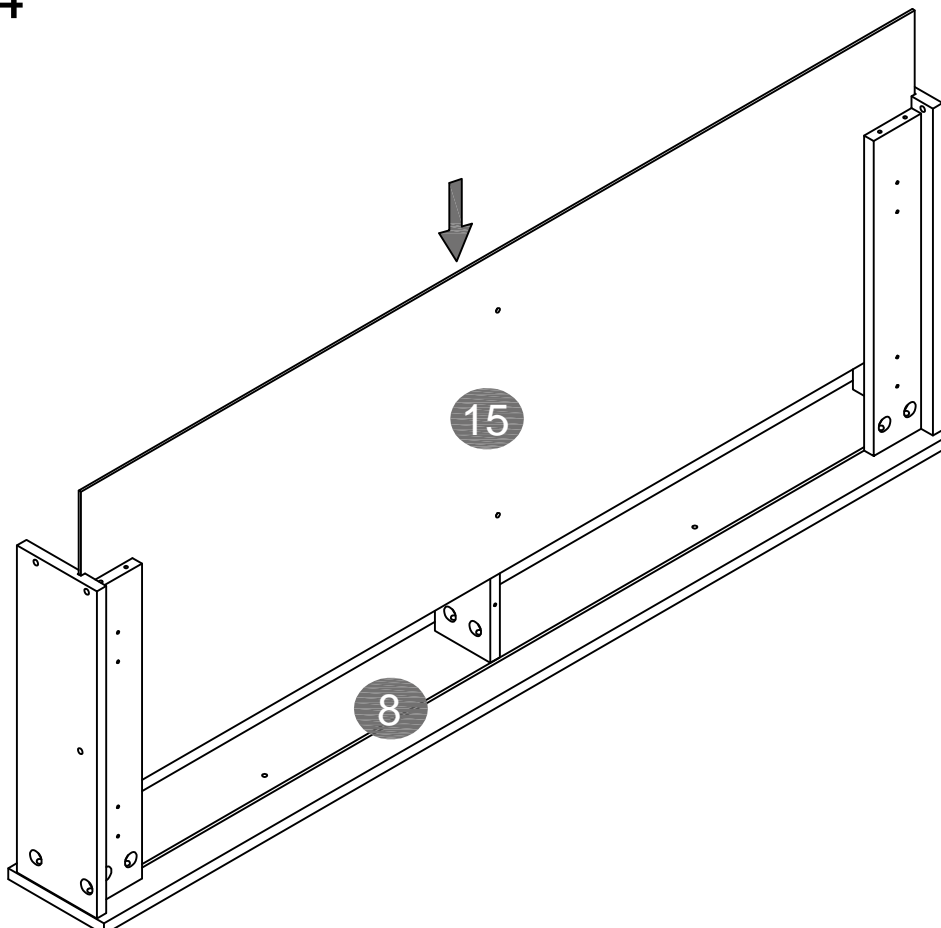
# Step 12



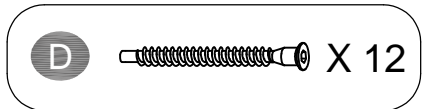
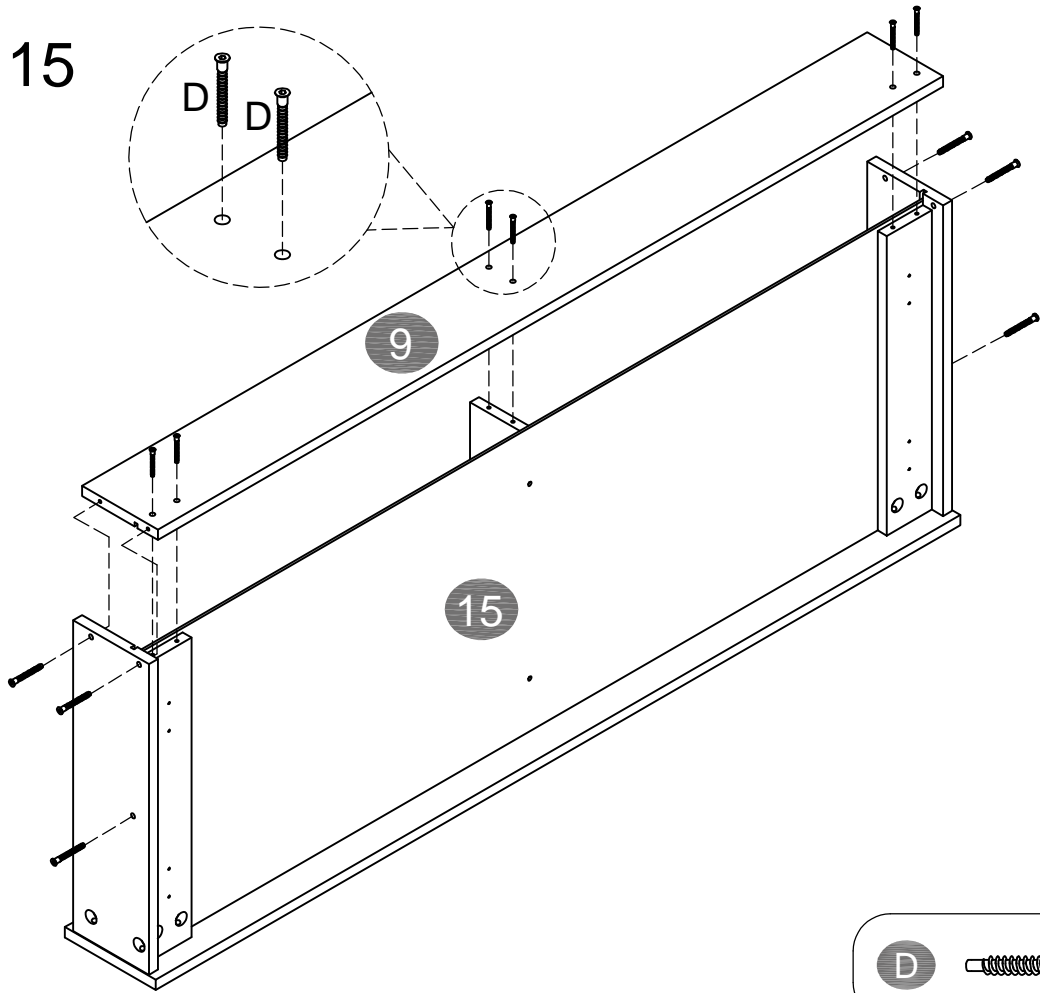
# Step 13



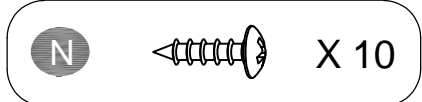
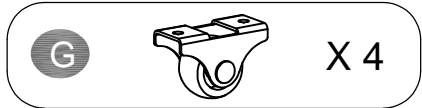
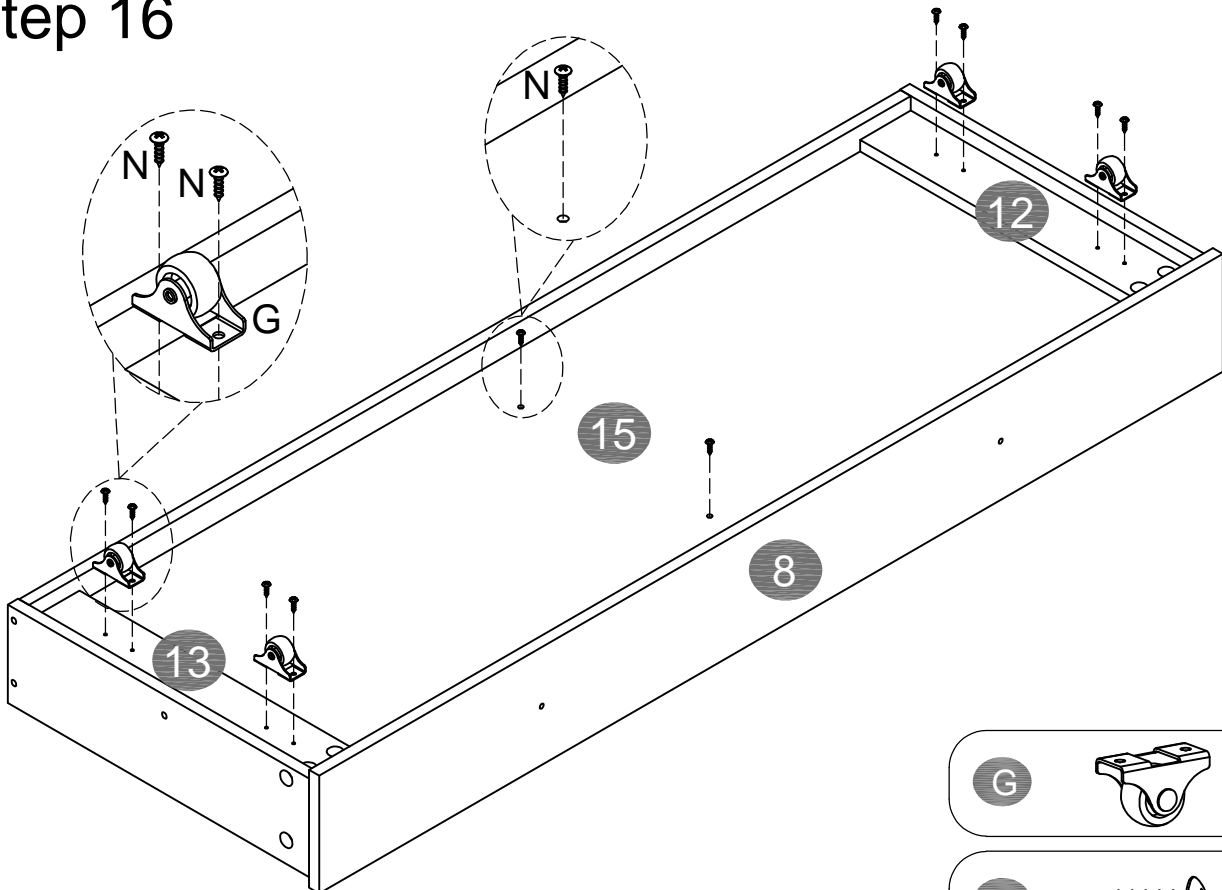
# Step 14



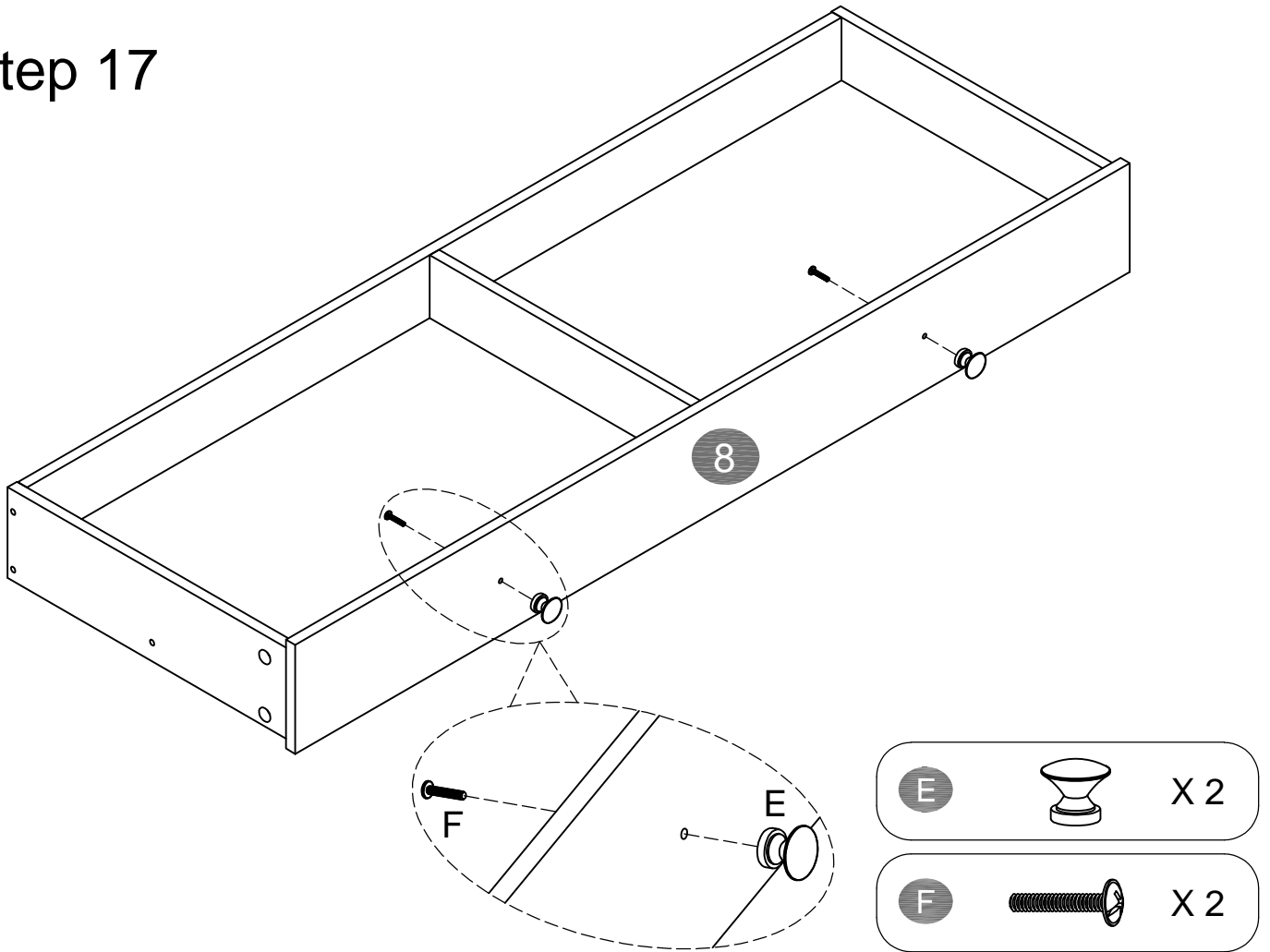
# Step 15



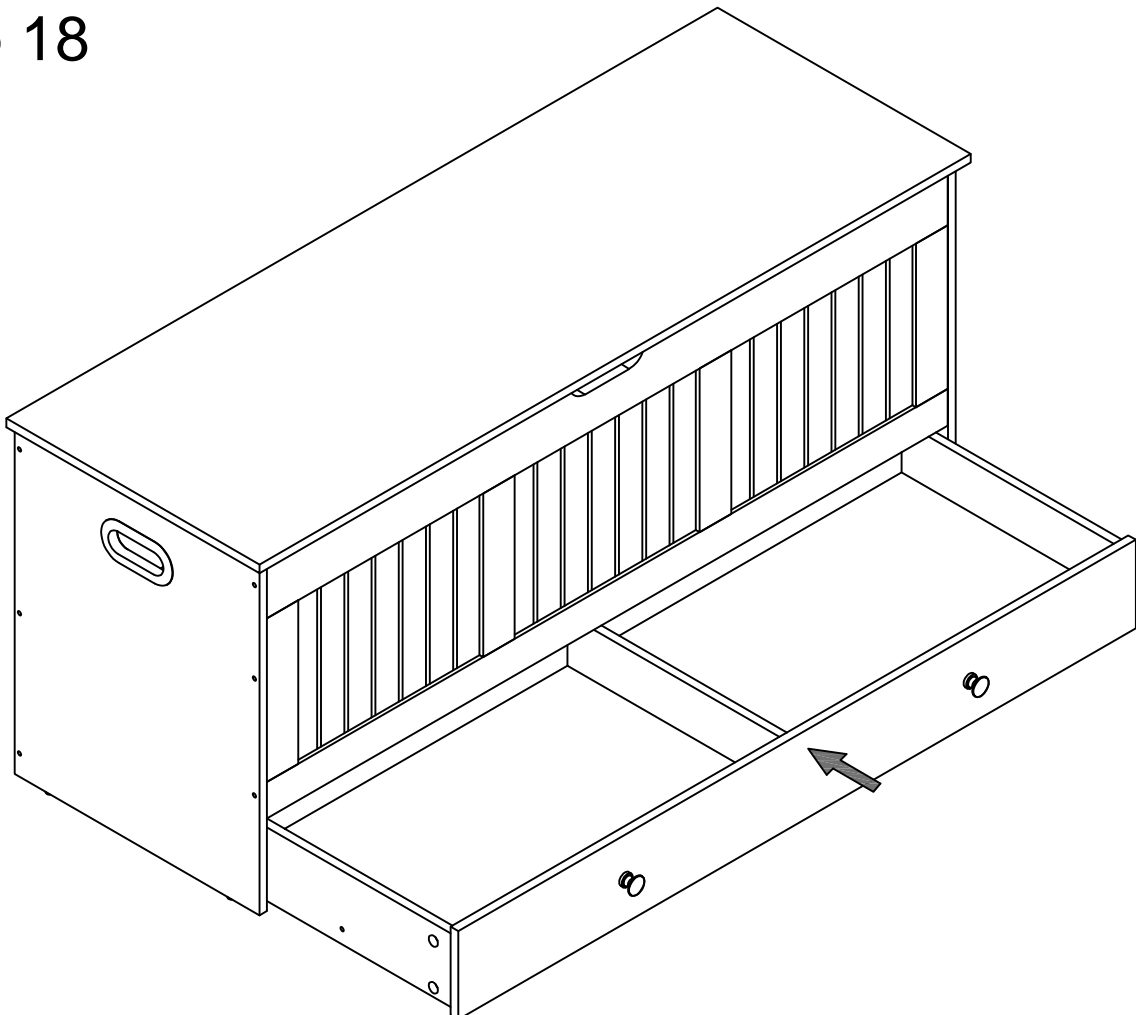
# Step 16



# Step 17



# Step 18



# Step 19

