



Gx16



Hx16



Lx16



Jx4

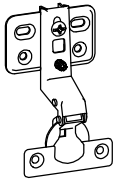


Kx8



Lx12

Mx3.5x $\frac{30}{1.2}$



Mx4



Nx24



Ox2

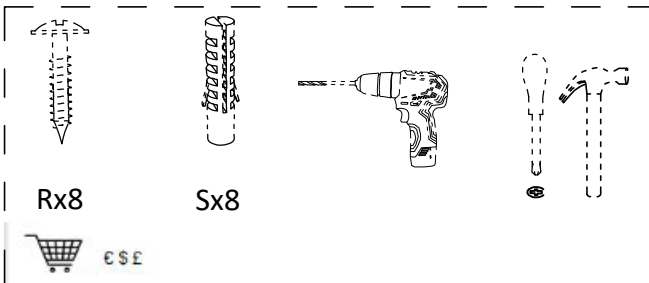


Px4



Qx4

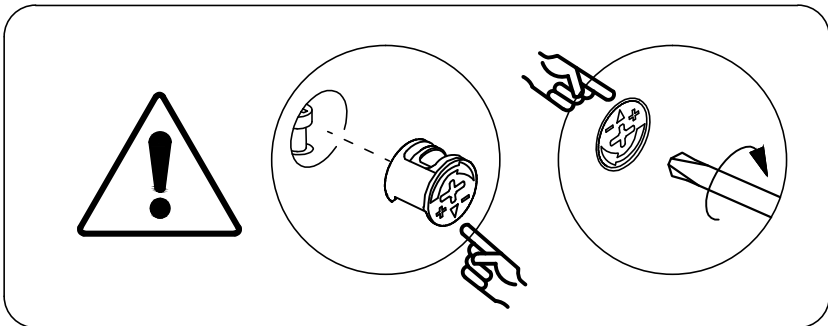
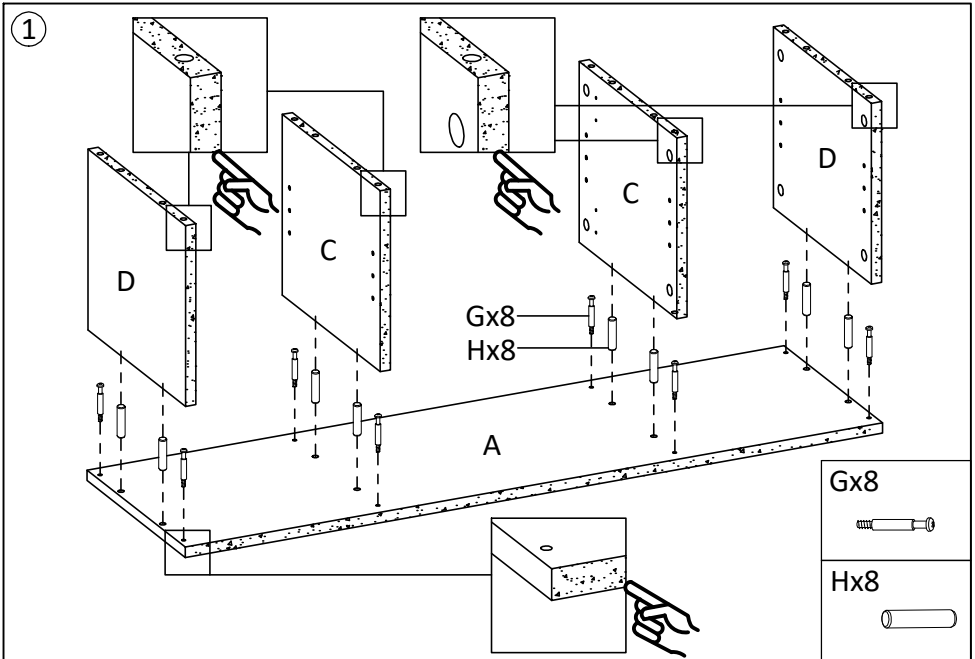
Mx3.5x $\frac{15}{0.6}$

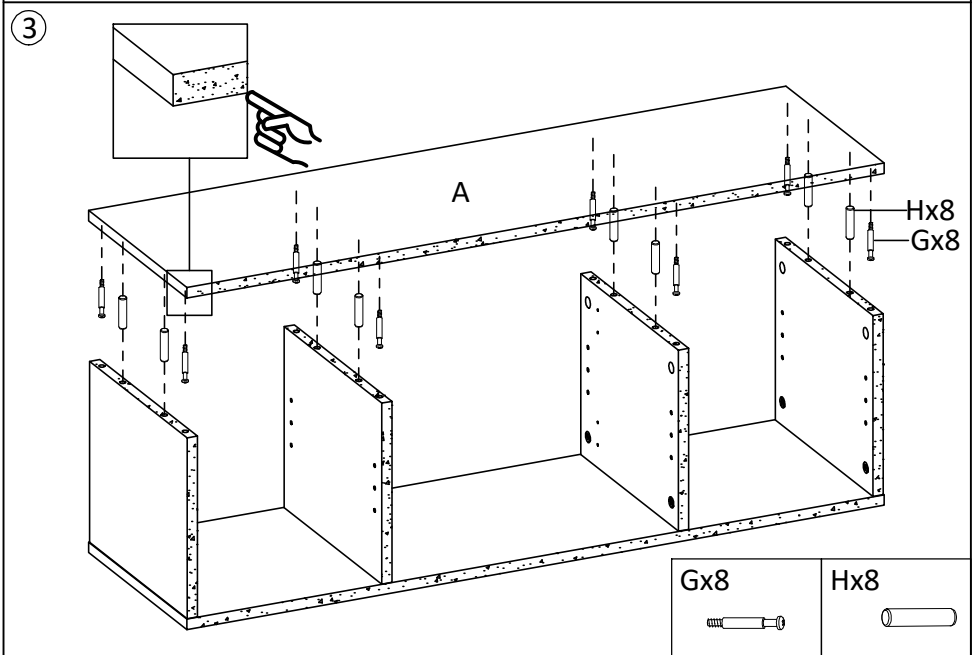
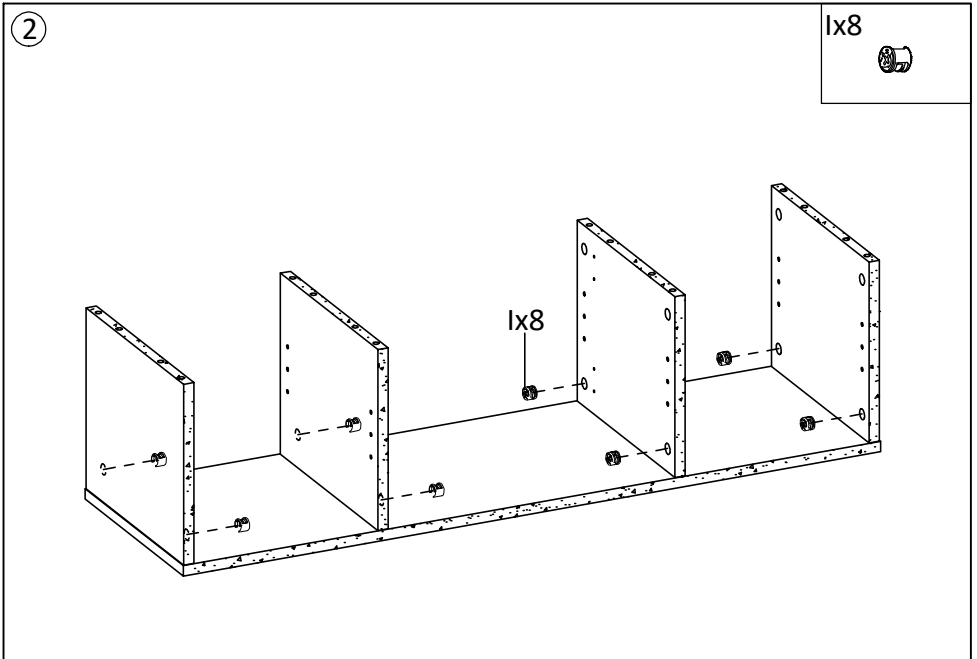


Rx8

Sx8

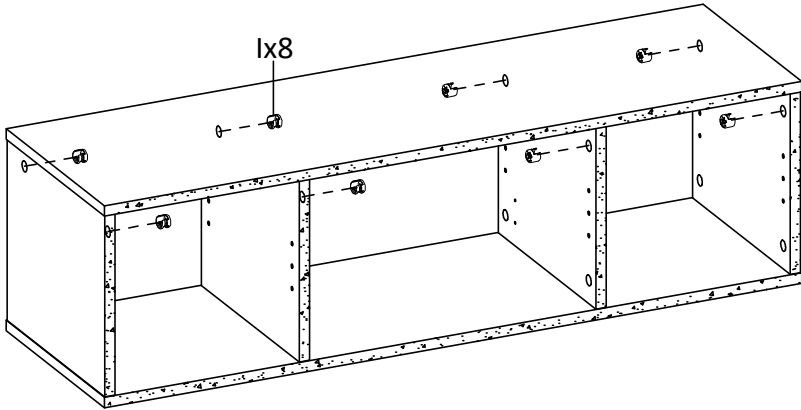






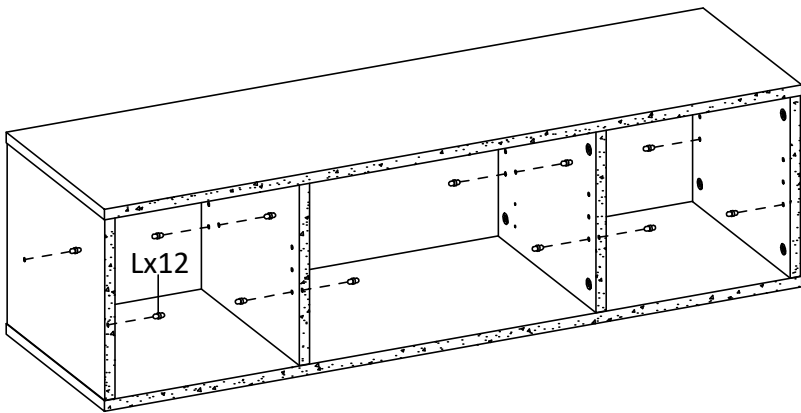
4

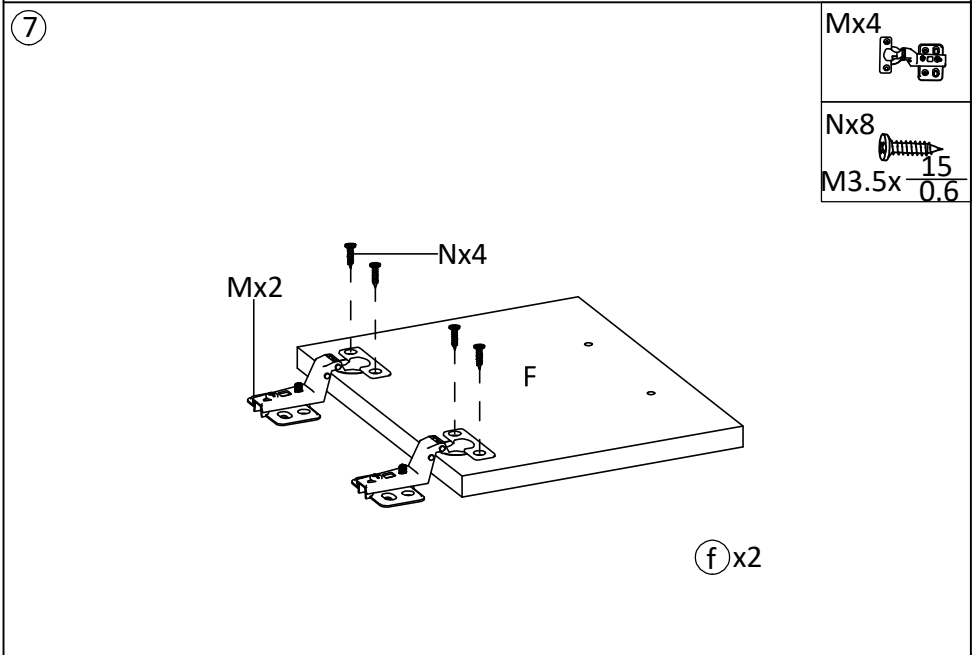
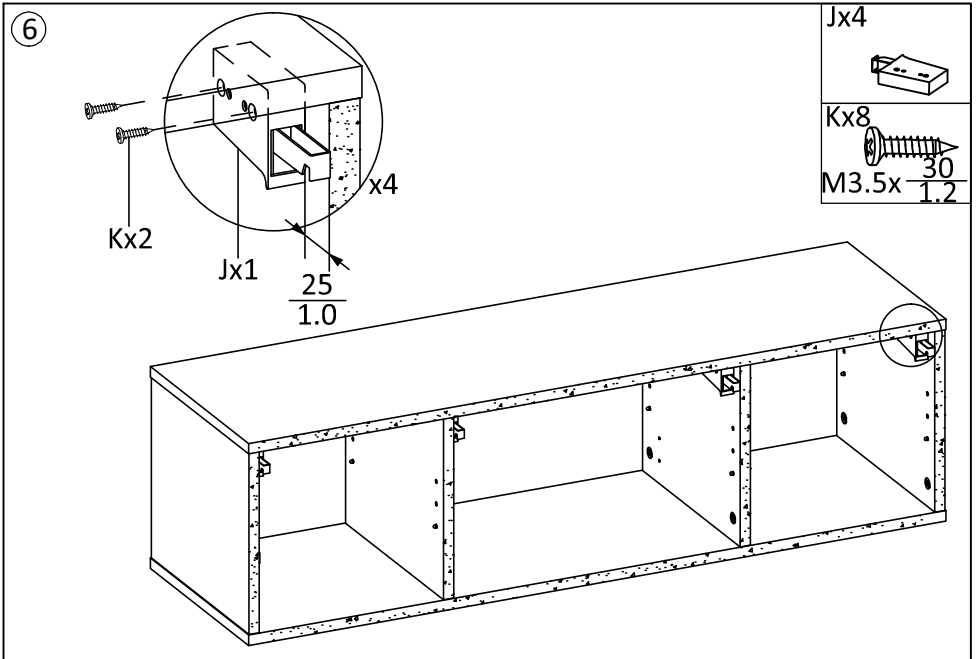
1x8

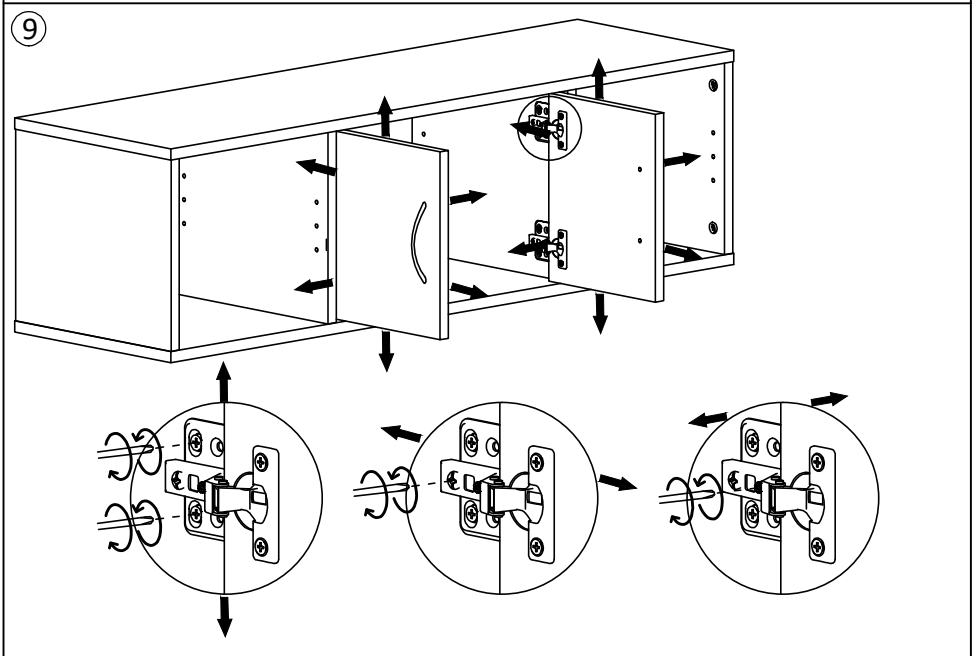
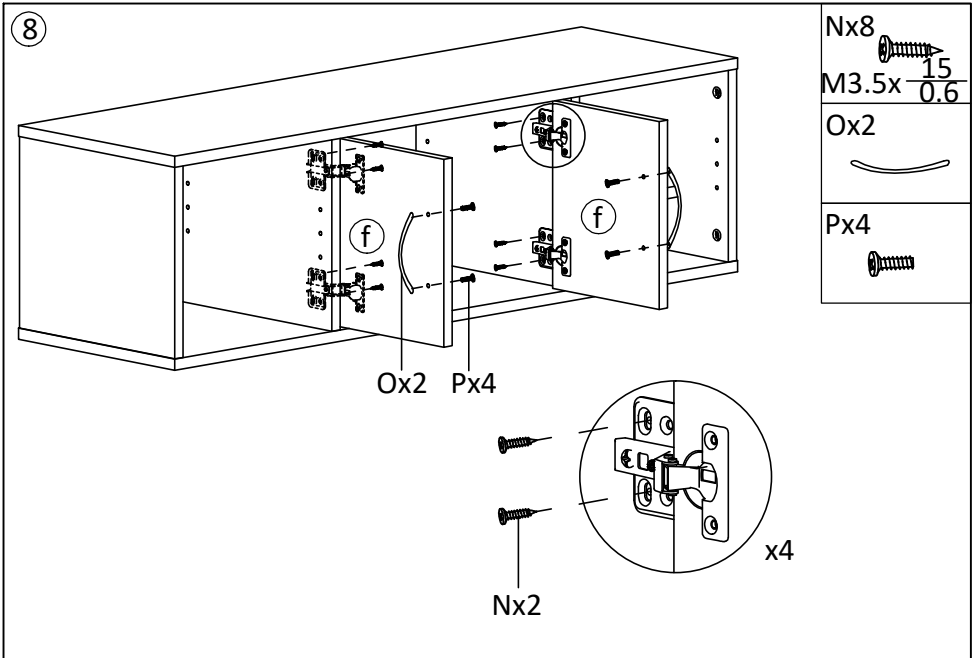


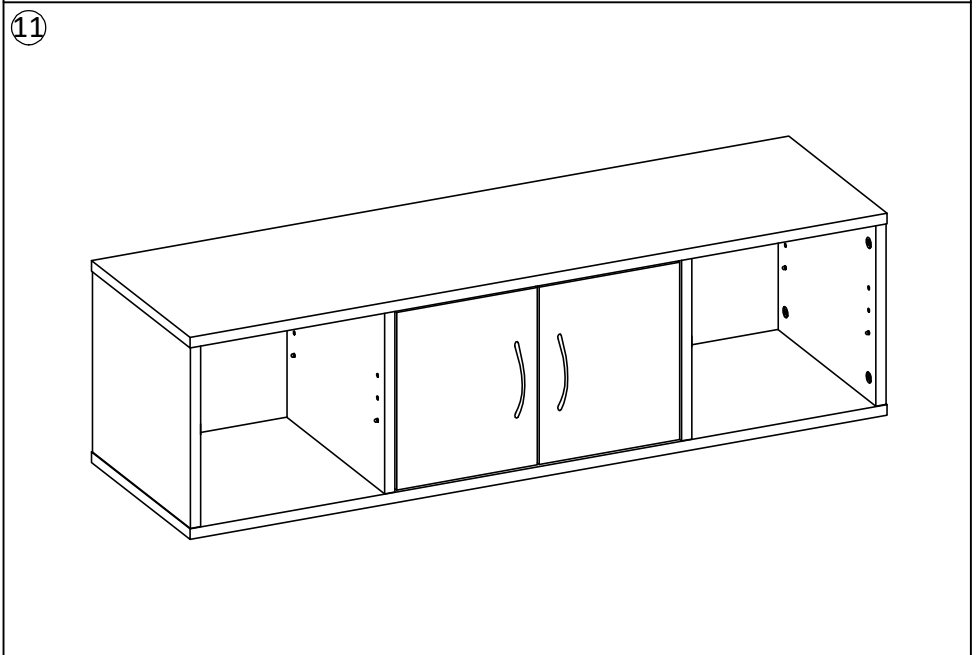
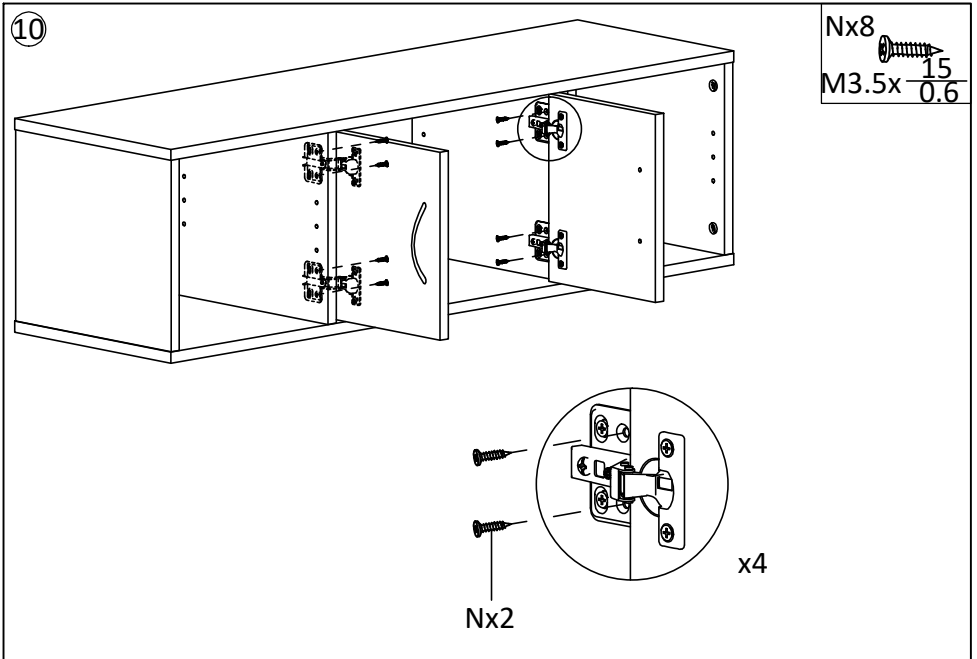
5

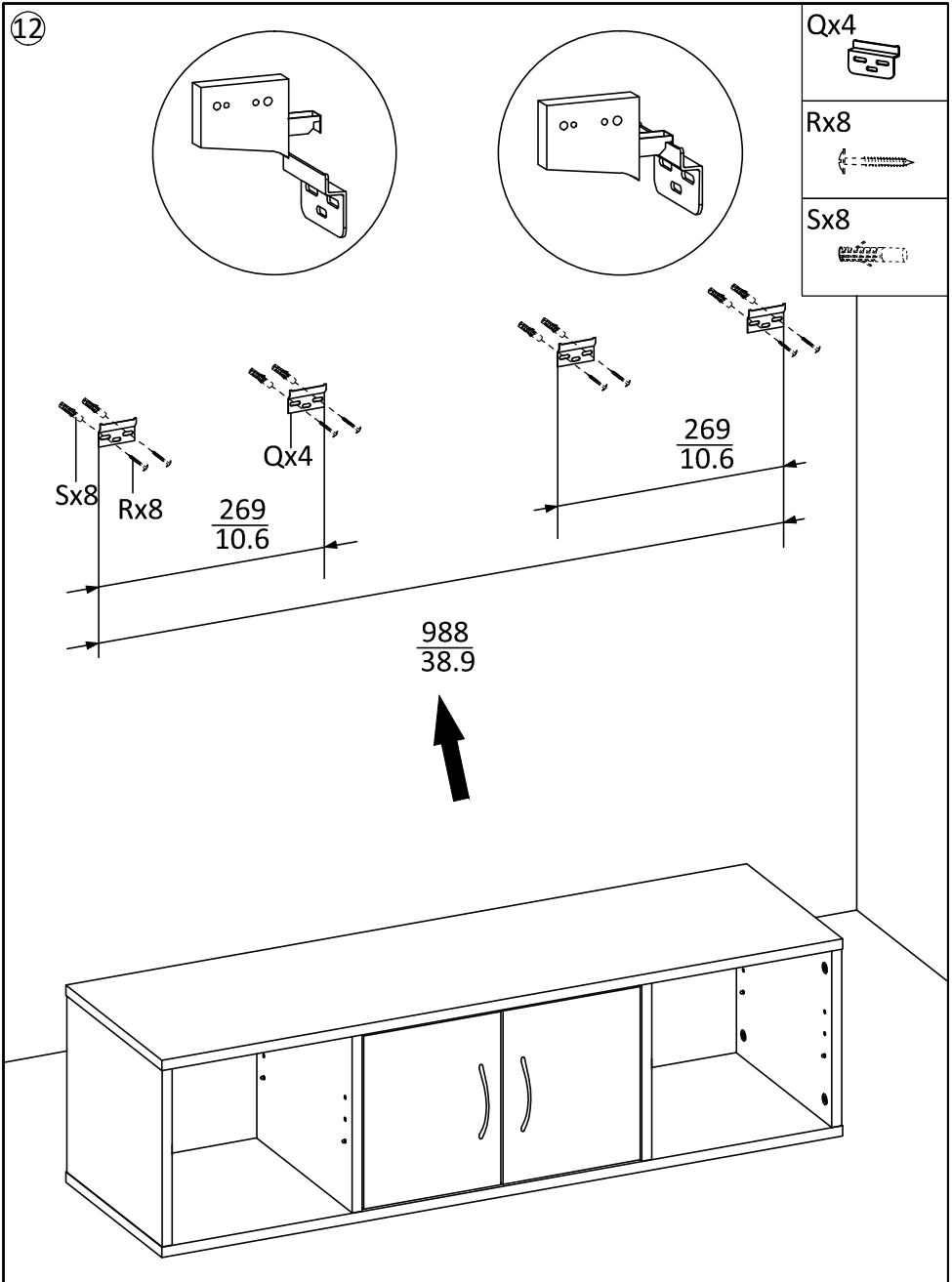
1x12



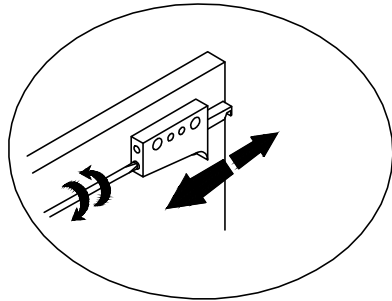
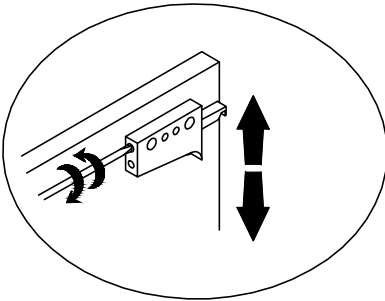
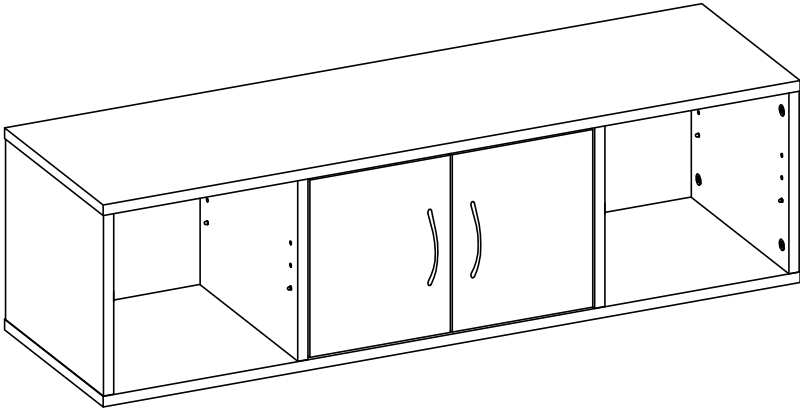




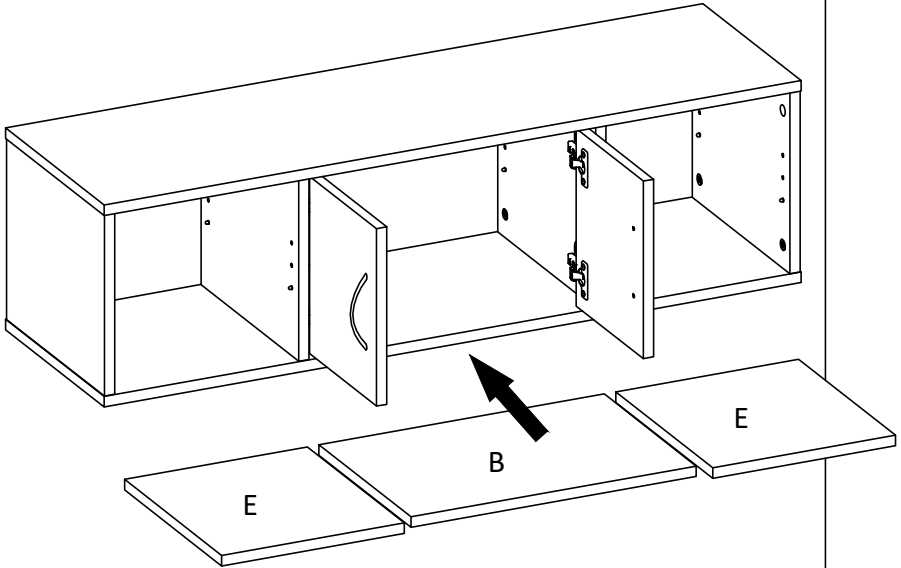




13



14



15

