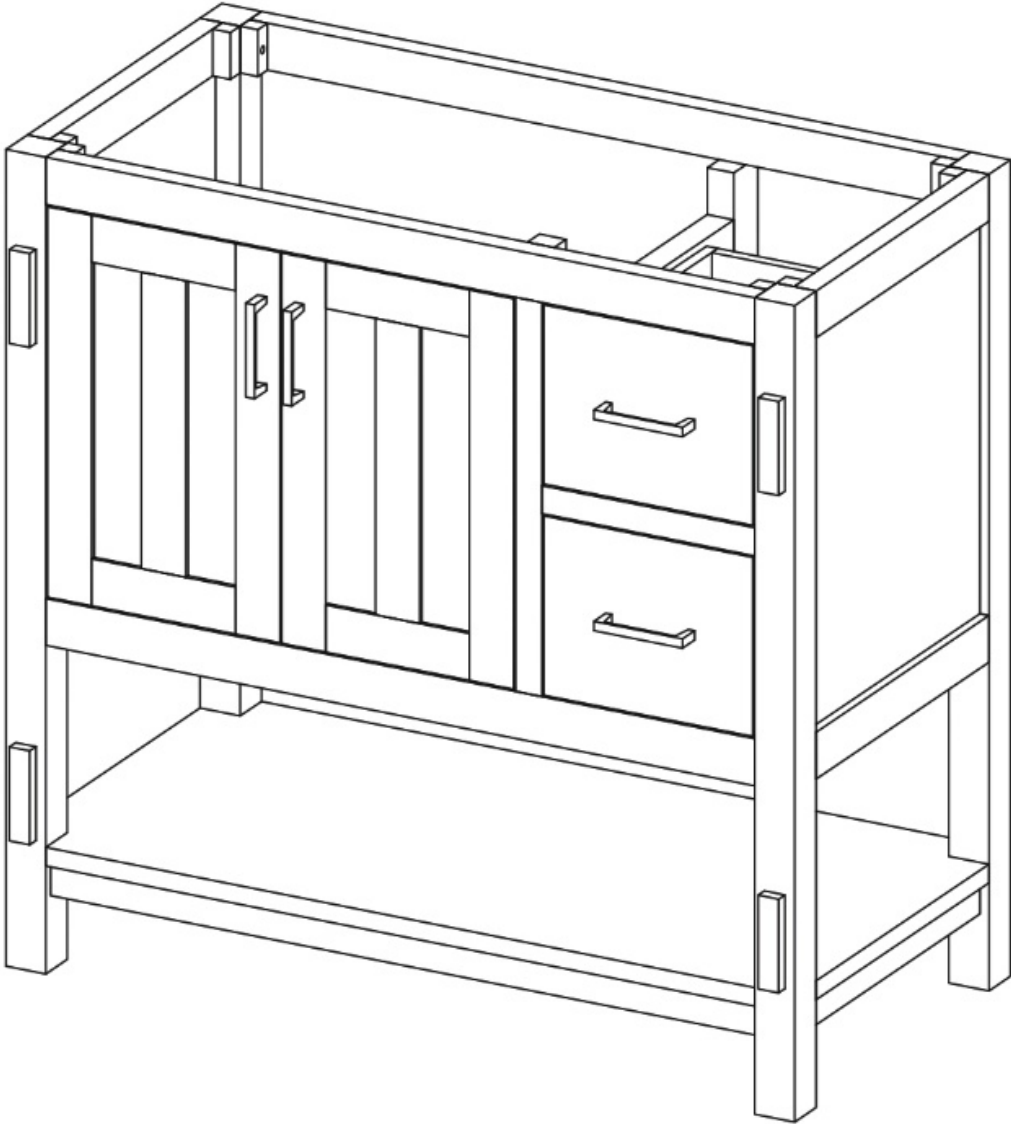


ASSEMBLY INSTRUCTIONS



Questions? Contact us!

609.256.9000 • cs@modway.com
www.modway.com

***modway**

Let's get started!

*modway



Read through all of the instructions before starting



Care instructions are listed in the last step of this manual



Approx. 20 minutes assembly time



Make sure you have all parts and components before discarding any packing materials



2 people recommended for assembly

Only use hand tools to assemble this item. Do not use power tools. Do not tighten bolts or screws completely until all hardware is lined up and inserted into the holes.

Do not over-tighten screws and bolts to avoid stripping the hardware or cracking the item.

For vanity and plumbing installation, we suggest hiring a professional contractor and plumber.

Assemble your item on a flat, carpeted area, with plenty of space to work. This will prevent damage and scratches to your floors or the item while you're assembling the product.

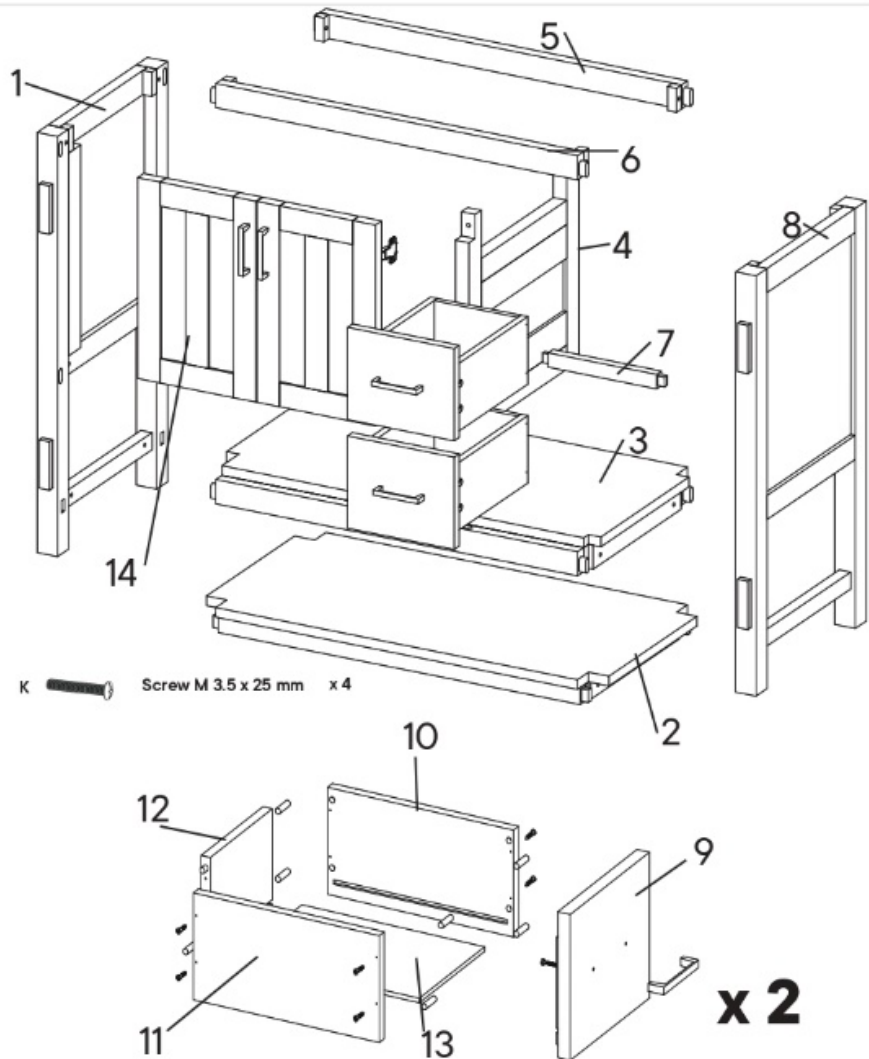
Keep all components and packaging out of reach of children or animals to avoid risk of choking or suffocation.

Furniture components:

1. Side Board Right	x 1
2. Bottom Board Shelf	x 1
3. Bottom Board	x 1
4. Center Board	x 1
5. Top Back Skrit	x 1
6. Top Front Skrit	x 1
7. Center Drawer Skrit	x 1
8. Side Board Left	x 1
9. Front Drawer	x 2
10. Side Drawer Left	x 2
11. Side Drawer Right	x 2
12. Back Drawer	x 2
13. Bottom Drawer	x 2
14. Door	x 2

Provided hardware:

A		JCBC M6 x 40 mm	x 14
B		Screw M 3.5 x 40 mm	x 4
C		Handle	x 4
D		Hinges	x 4
E		Allen Key	x 1
F		Screw M3.5 x 20 mm	x 48
G		Dowel	x 16
H		Screw M3.5 x 40 mm	x 16
I		JCBC M6 x 30 mm	x 1
J		Drawer Runner	x 2



What you need:

Phillips Head Screwdriver

You may also need:

- + Power Drill
- + Level
- + Silicone Adhesive or Caulk
- + Drywall Anchors and Screws
- + Other Wall-Mounting Hardware

Wait!

Missing parts or hardware? Need assistance?
Contact us before returning your item. We're here to help!
609.256.9000 • cs@modway.com

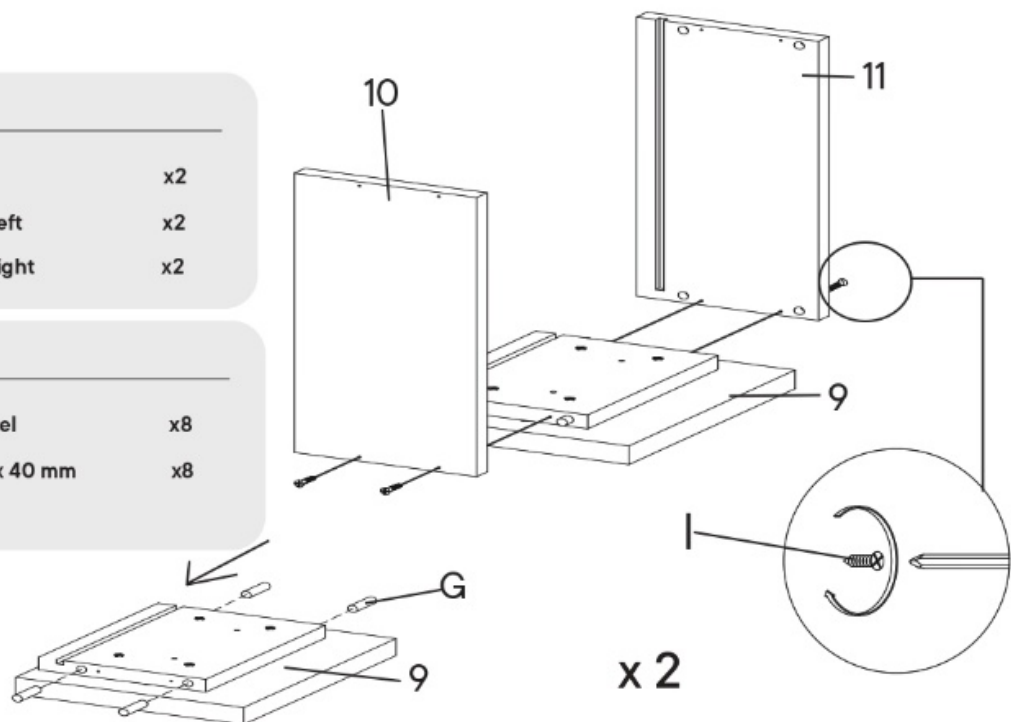
Step 1

COMPONENTS

9	Front Drawer	x2
10	Side Drawer Left	x2
11	Side Drawer Right	x2

HARDWARE

G	Wooden Dowel	x8
I	Screw M 3.5 x 40 mm	x8



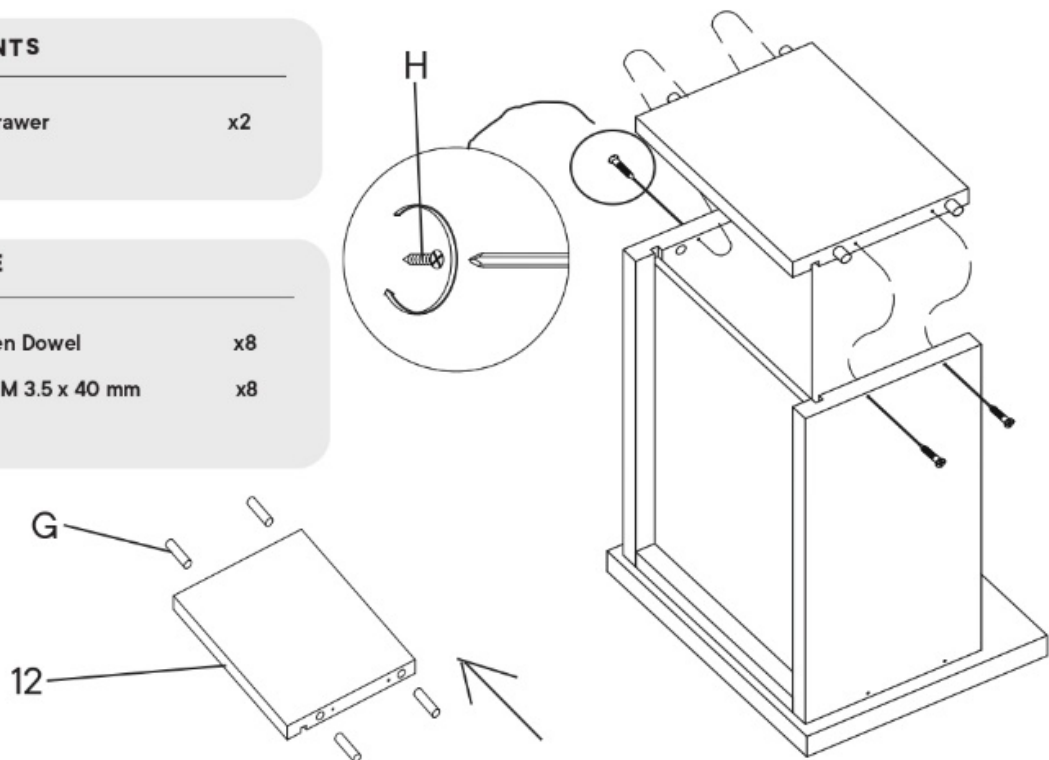
Step 2

COMPONENTS

12	Back Drawer	x2
----	-------------	----

HARDWARE

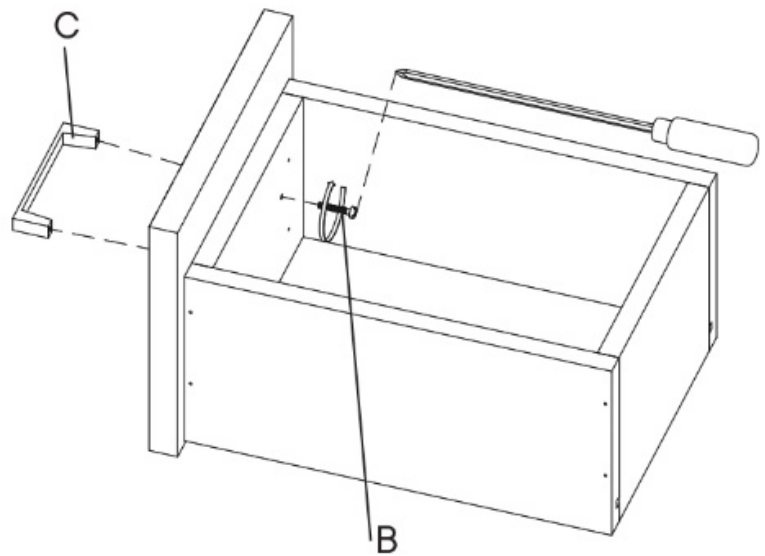
G	Wooden Dowel	x8
H	Screw M 3.5 x 40 mm	x8



Step 3

HARDWARE

- | | | |
|----------|--------------------|----|
| C | Handle | x2 |
| B | Screw M3.5 x 40 mm | x8 |



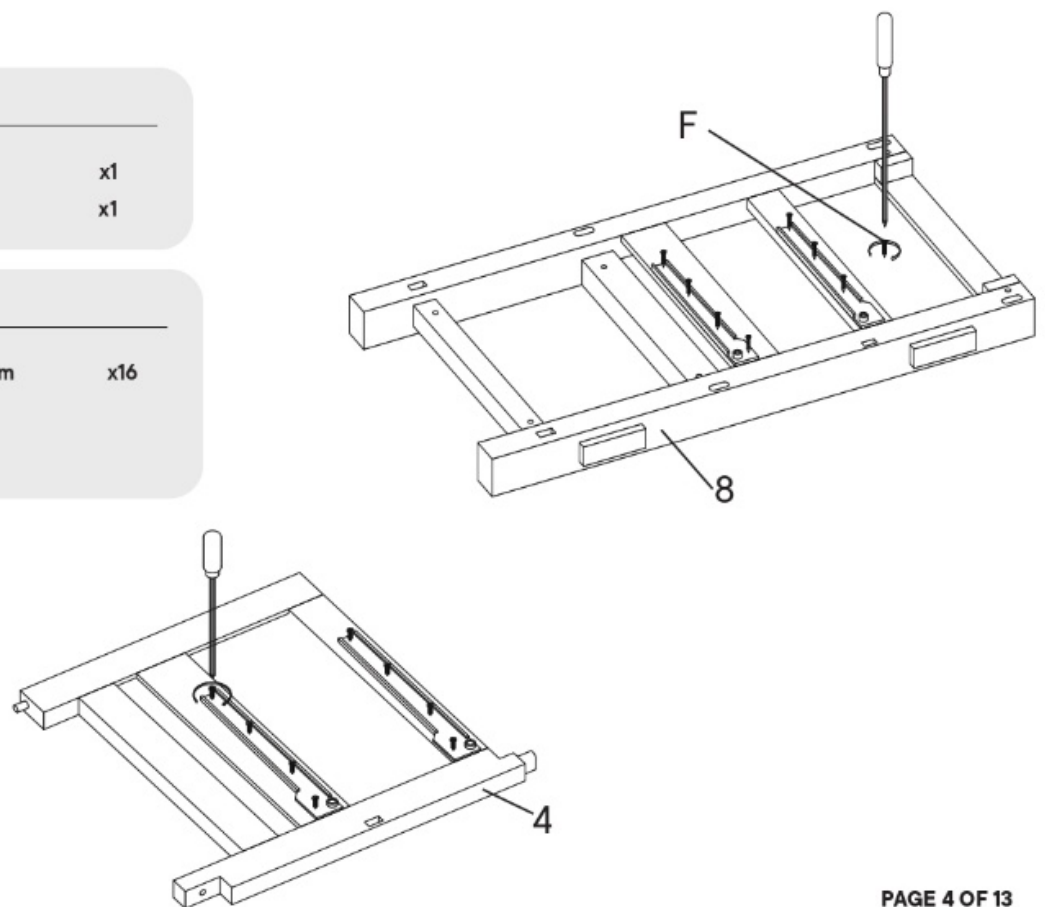
Step 4

COMPONENTS

- | | | |
|----------|-----------------|----|
| 8 | Side Board Left | x1 |
| 4 | Center Board | x1 |

HARDWARE

- | | | |
|----------|---------------------|-----|
| F | Screw M 3.5 x 20 mm | x16 |
|----------|---------------------|-----|



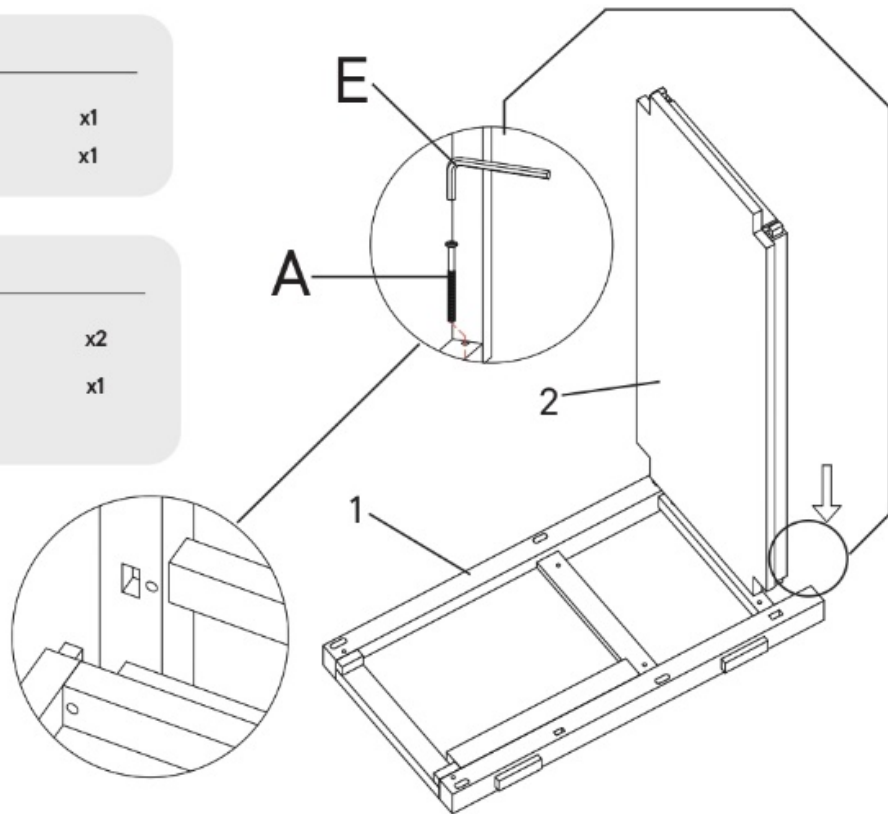
Step 5

COMPONENTS

- ① Side Board Right x1
- ② Bottom Board Shelf x1

HARDWARE

- Ⓐ JCBC M6 x 40 mm x2
- Ⓔ Allen Key x1



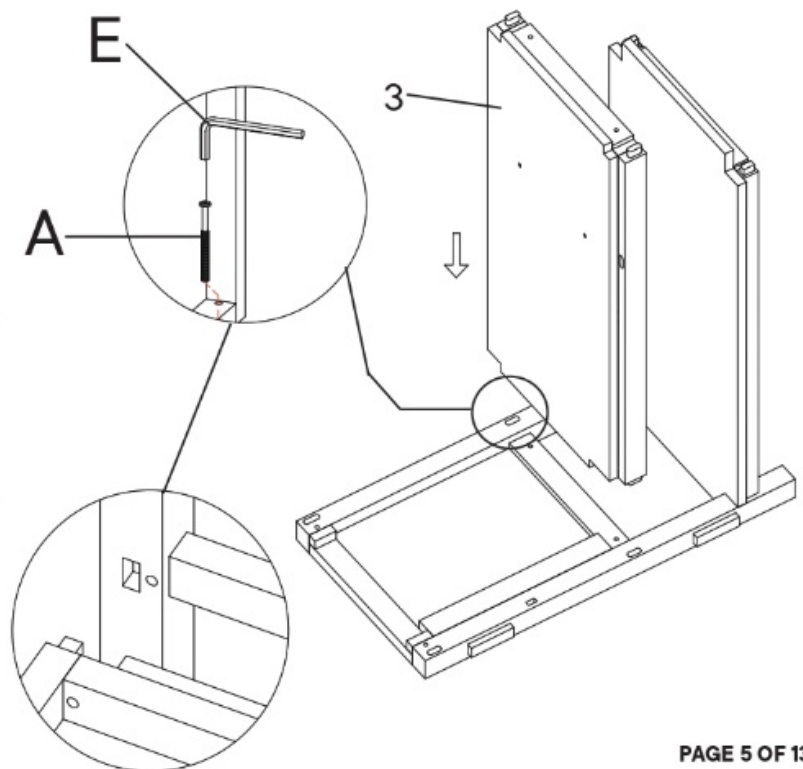
Step 6

COMPONENTS

- ③ Bottom Board x1

HARDWARE

- Ⓐ JCBC M6 x 40 mm x2
- Ⓔ Allen Key x1



Step 7

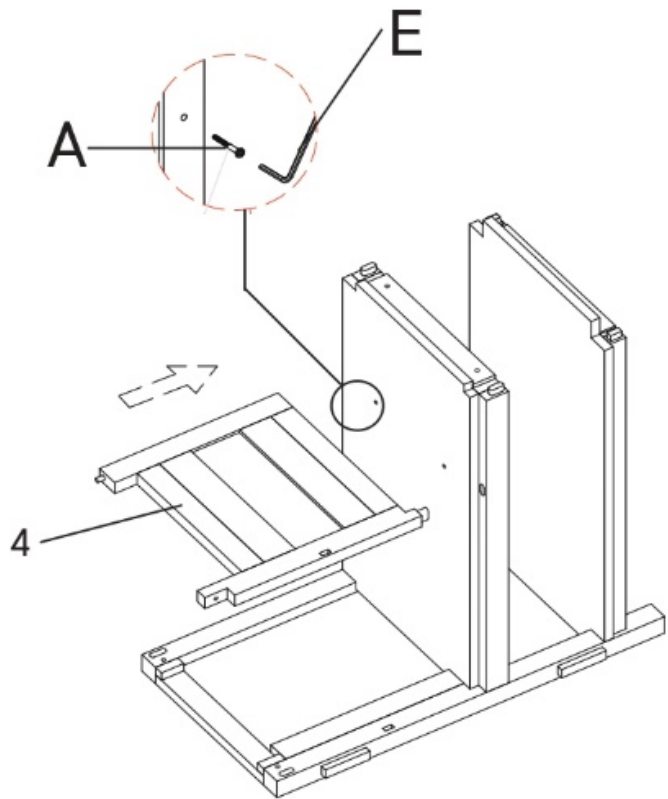
COMPONENTS

4 Center Board x1

HARDWARE

A JCBC M6 x 40 mm x2

E Allen Key x1



Step 8

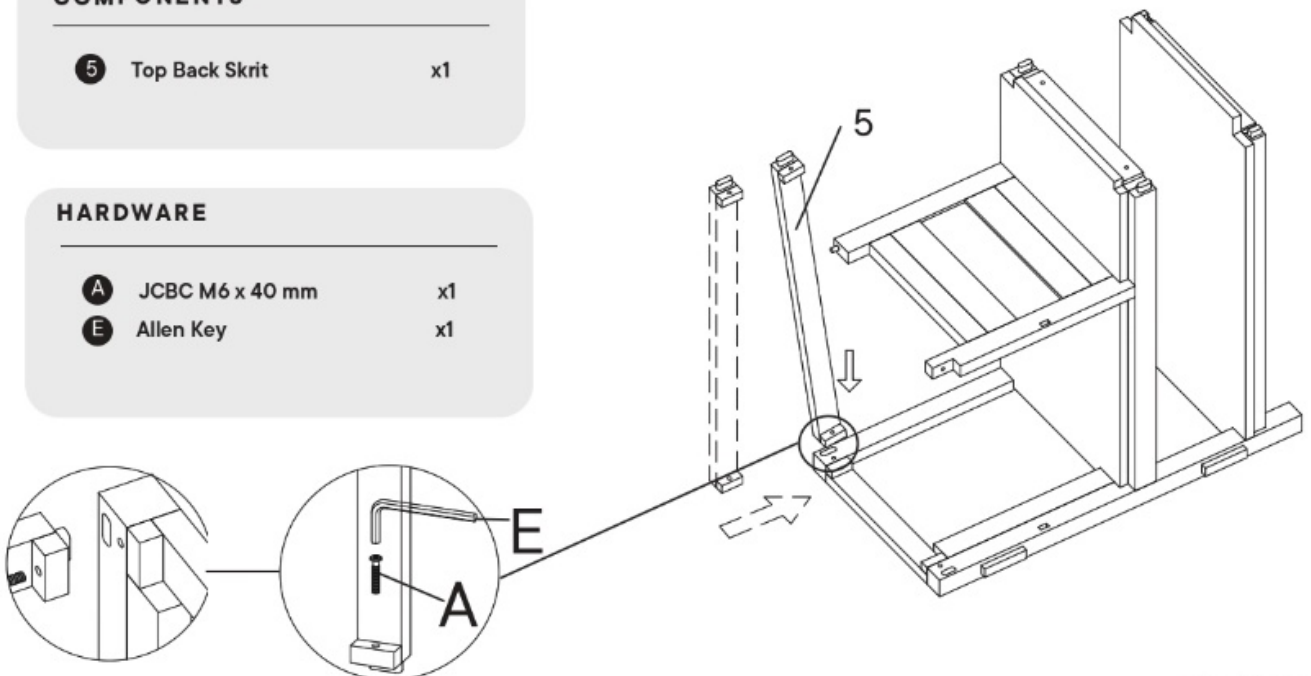
COMPONENTS

5 Top Back Skrit x1

HARDWARE

A JCBC M6 x 40 mm x1

E Allen Key x1



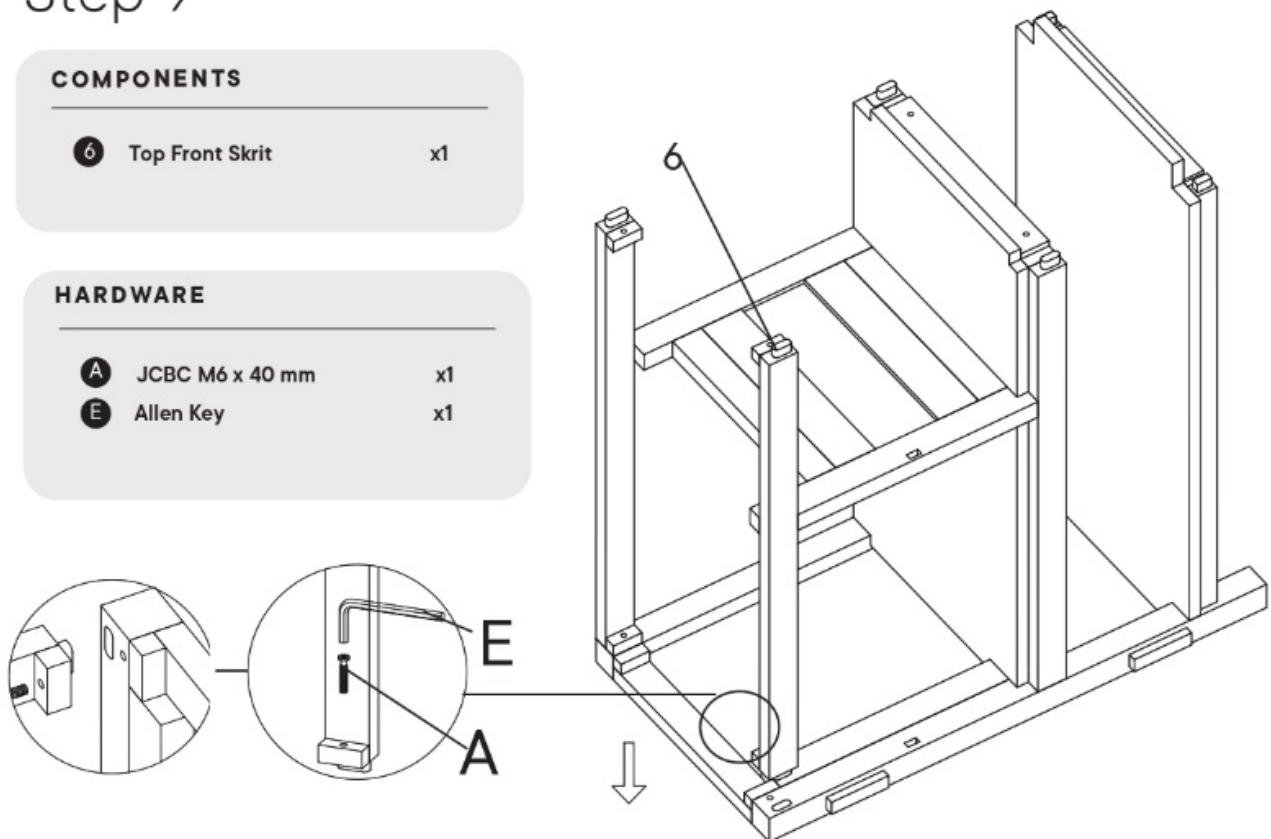
Step 9

COMPONENTS

6 Top Front Skrit x1

HARDWARE

A JCBC M6 x 40 mm x1
E Allen Key x1



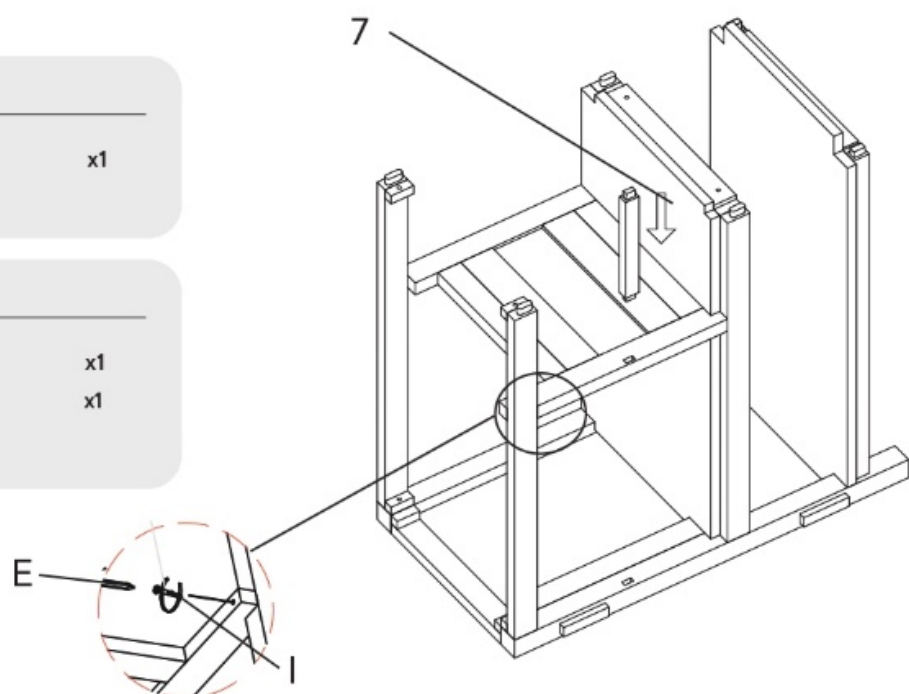
Step 10

COMPONENTS

7 Center Drawer Skrit x1

HARDWARE

I JCBC M6 x 30 mm x1
E Allen Key x1



Step 11

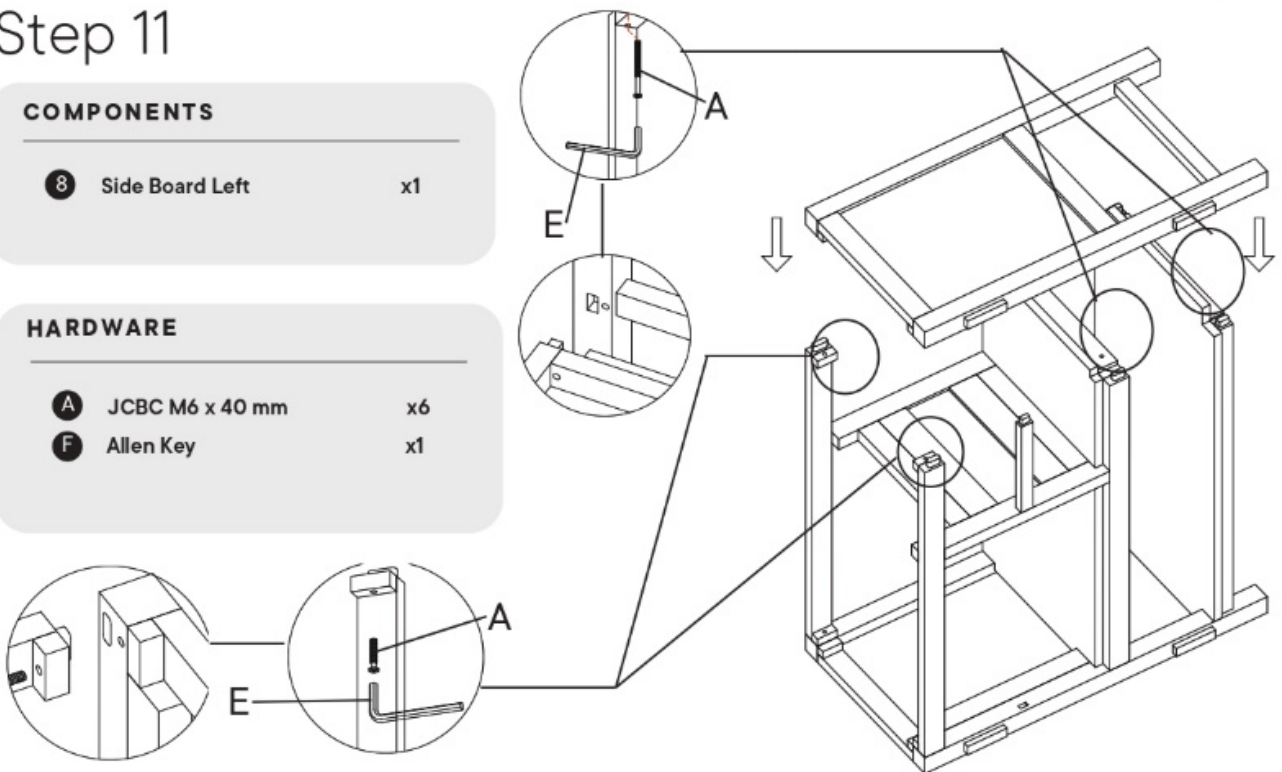
COMPONENTS

8 Side Board Left x1

HARDWARE

A JCBC M6 x 40 mm x6

F Allen Key x1



Step 12

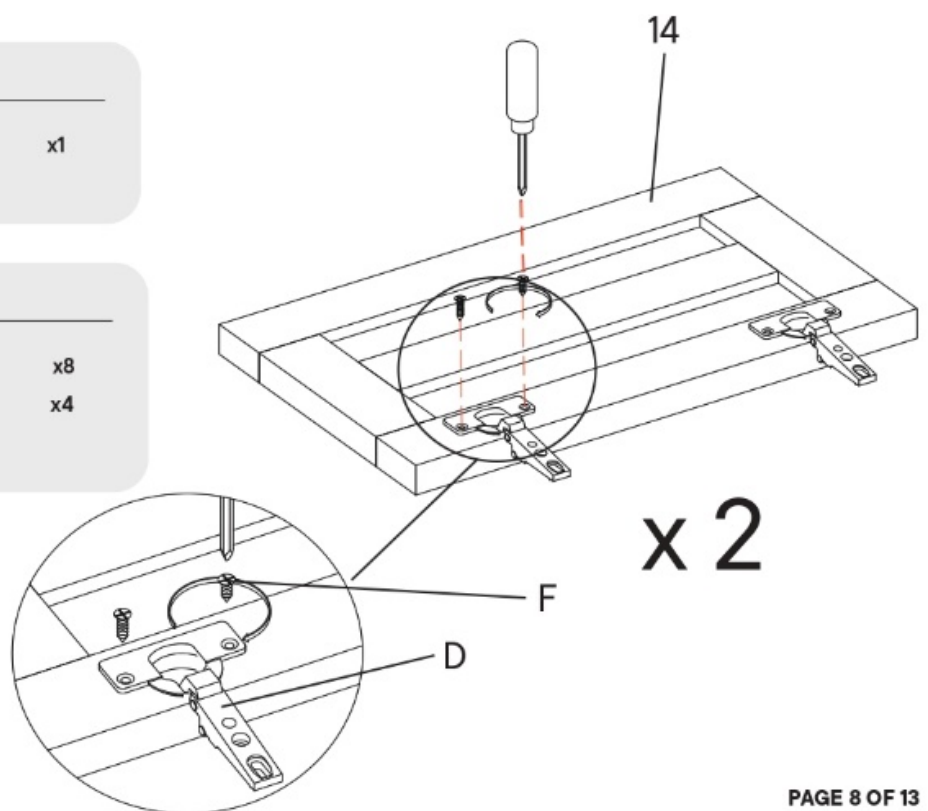
COMPONENTS

14 Door x1

HARDWARE

F Screw M 3.5 x 20 mm x8

D Hinges x4



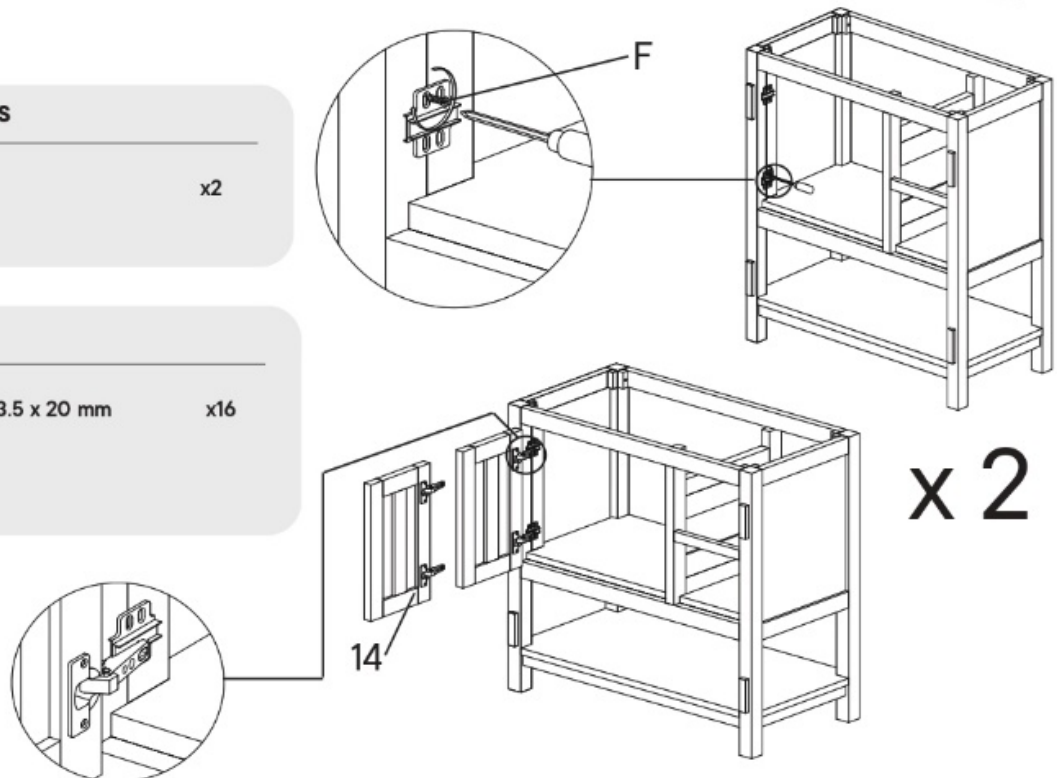
Step 13

COMPONENTS

14 Door x2

HARDWARE

F Screw M 3.5 x 20 mm x16

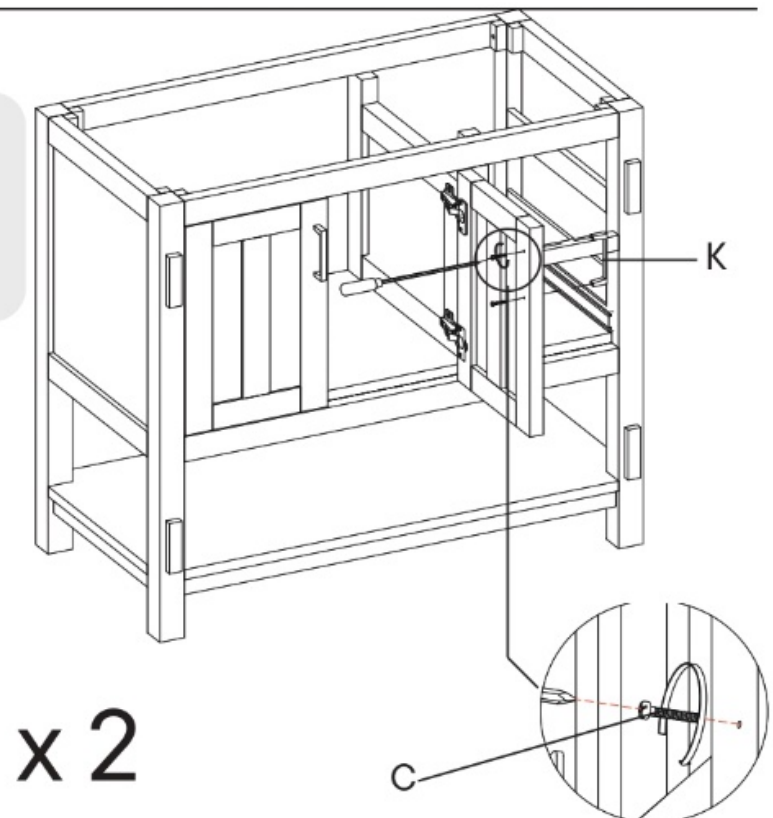


Step 14

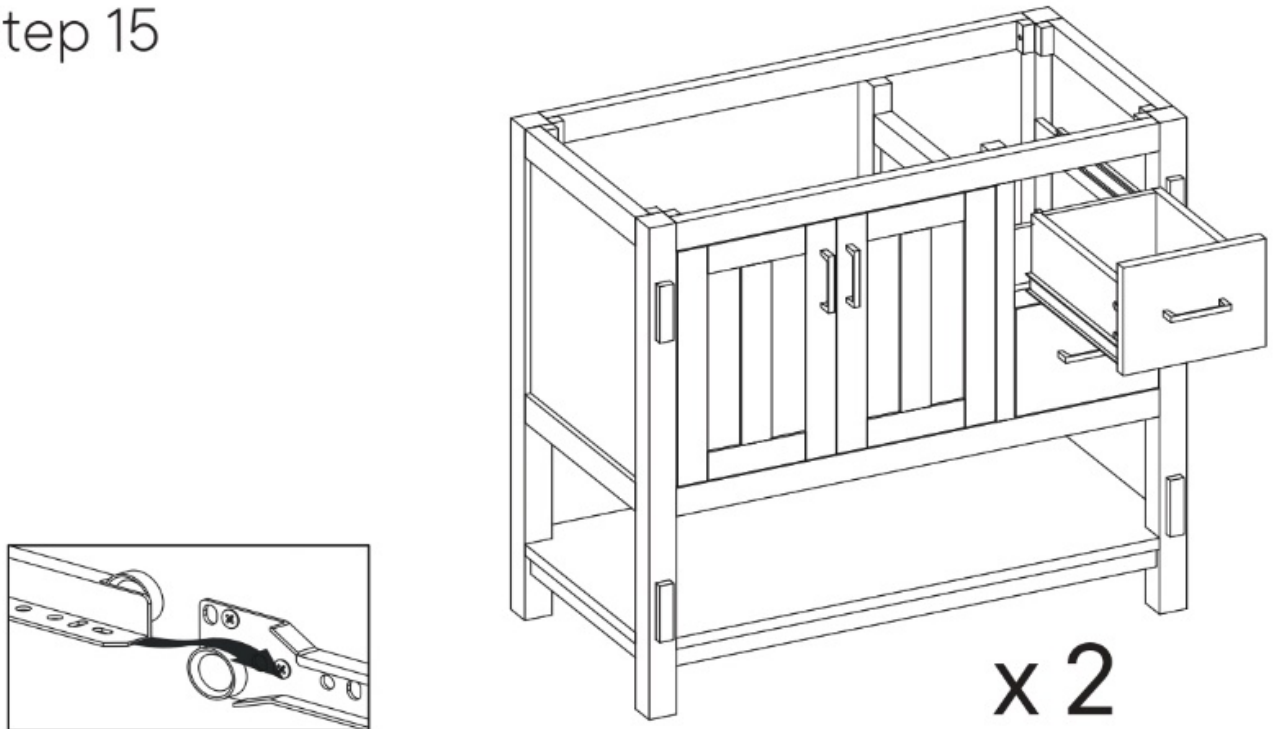
HARDWARE

K Screw M 3.5 x 25 mm x8

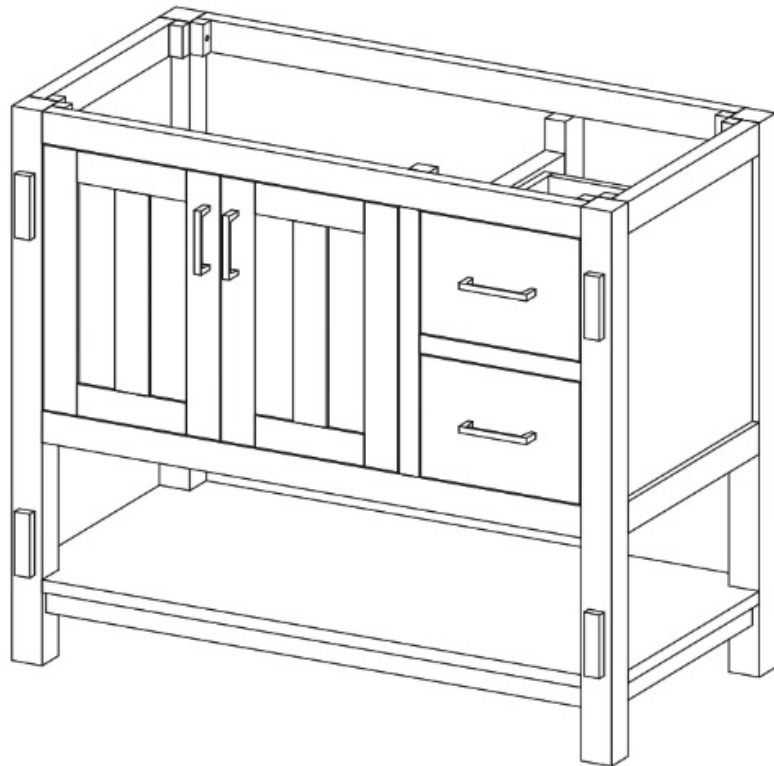
C Handle x2



Step 15

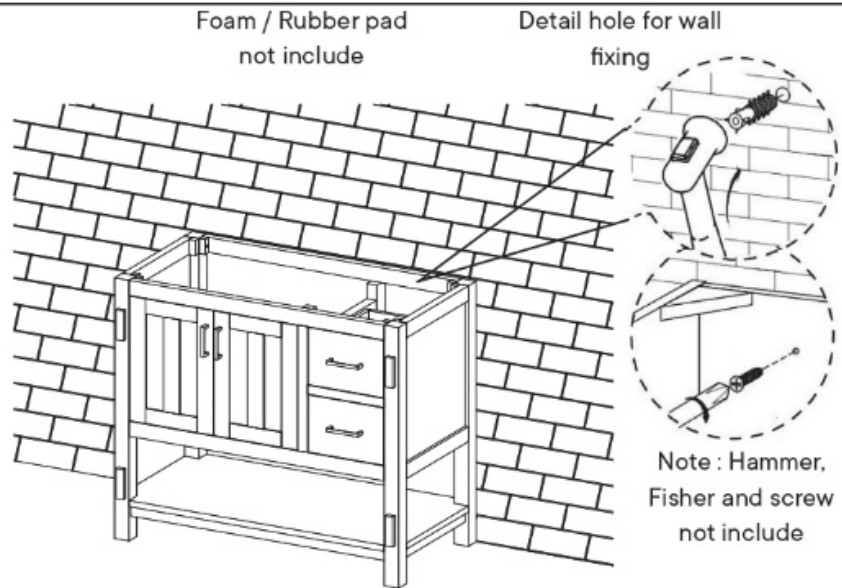


Step 16



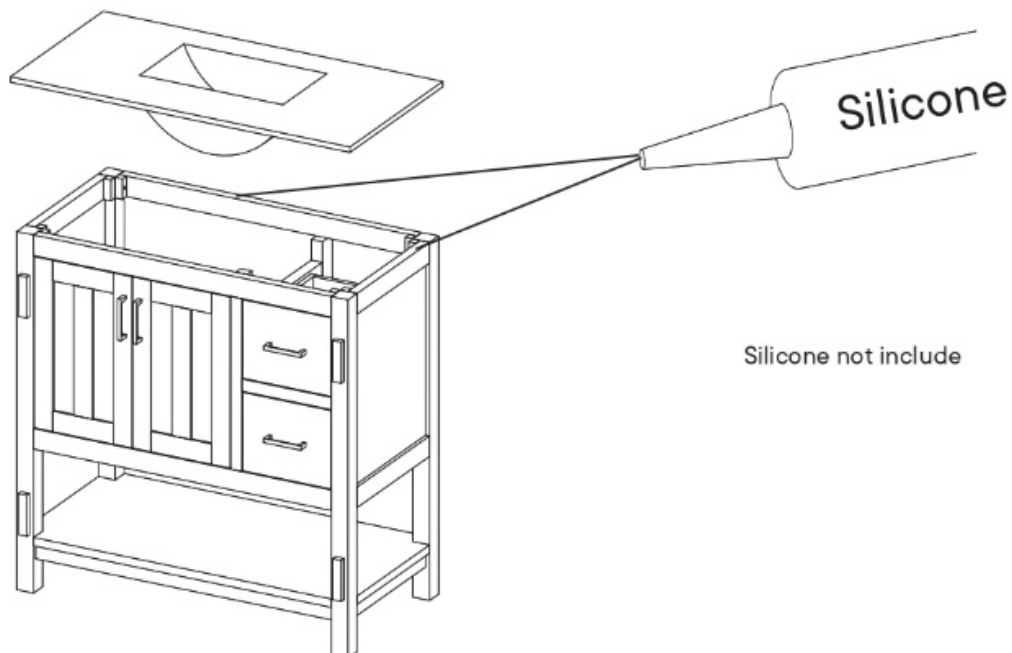
Step 7

Attachment of Furniture : This furniture may represent a danger for your security if it's attachment on the wall has been done in an incorrect way. This attachment must be done by a person with great expertise who will make sure adequacy between the device of fixing and the wall. Please source the right fitting according to the wall type. For your safety, it is imperative to fix your furniture to the wall



Step 8

Sold separately

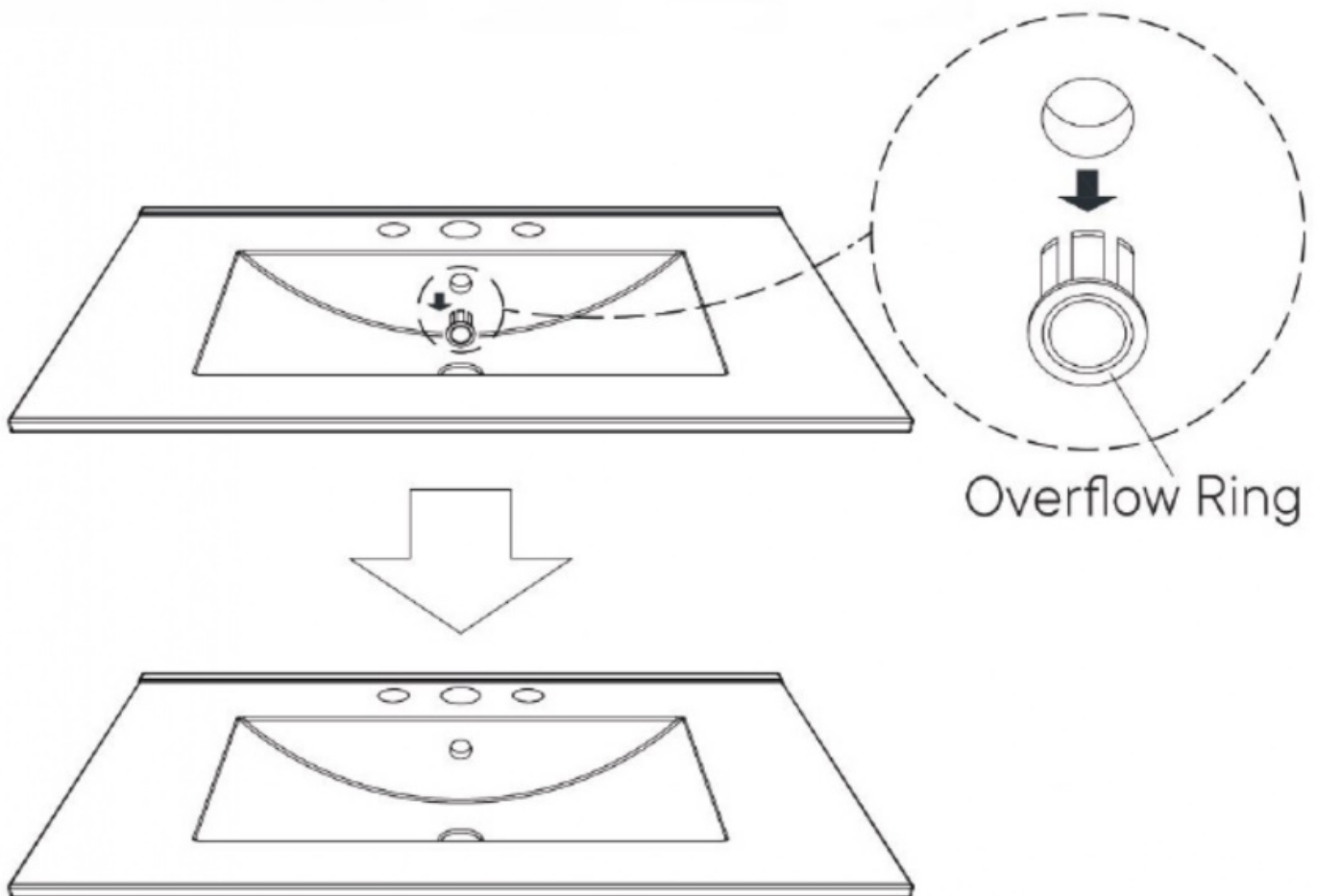


Apply a thin bead of silicone compound around the vanity base and set the vanity top carefully in place. Remove any excess silicone compound with a wet rag.

A quick note...

*modway

Your sink basin comes complete with a silver overflow ring.
If you'd like to remove this overflow ring, you can do so by hand.



Wait!

Missing parts or hardware? Need assistance?
Contact us before returning your item. We're here to help!
609.256.9000 • cs@modway.com

Great job!

Vanity Cabinet assembly is complete





Indoor use only.

Not contract grade.

Clean using a non-abrasive cloth and a mild cleaner.

Never use harsh chemicals, as they could damage the finish or integrity of the item.

CONNECT WITH US!   

Tag us @modway_furniture and #modway for a chance to be featured.

