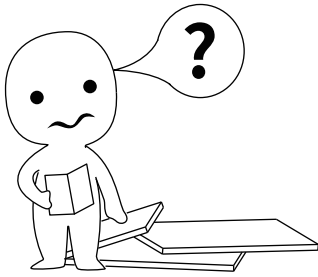


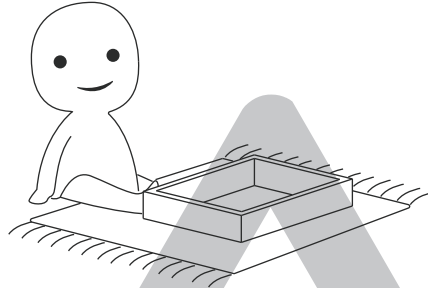
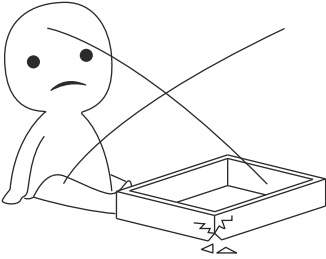
INSTALLATION

Product Manual



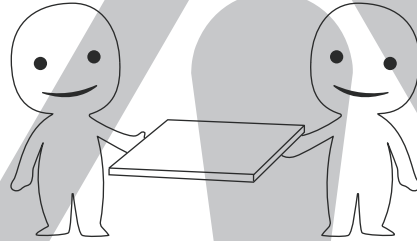
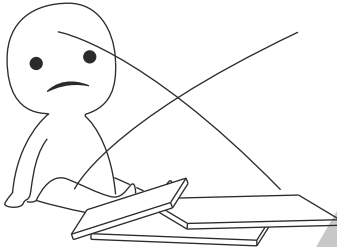
IMPORTANT INFORMATION!

please read the entire manual before starting to assemble and/or using this product. follow the manual thoroughly and keep it for further reference.



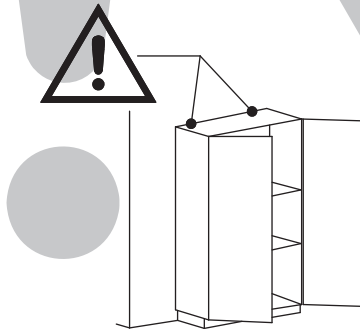
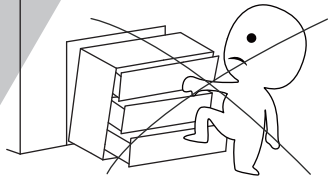
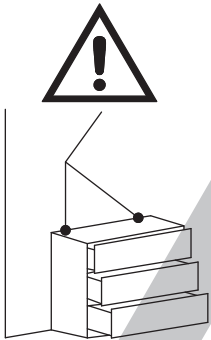
AVOID SCRATCHES!

In order to avoid scratching this furniture should be assembled on a soft layer - could be a rug.



IMPROVE EFFICIENCY !

Try to find a partner to install with you, which can speed up the installation efficiency and shorten the time.



ANTI-TOPPLE WARNING !

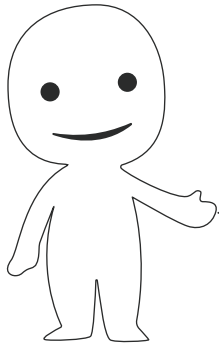
Overturnd furniture can cause serious or fatal crush injuries. To prevent tipping over, be sure to use the wall attachment, if not included with this product. Please purchase the wall attachment that fit your wall. If unsure, seek professional advice. Please read and follow each step of the instructions carefully.

IMPORTANT !

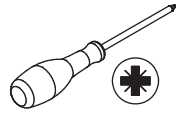
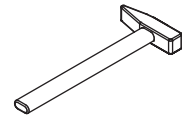
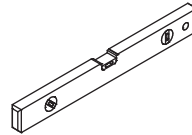
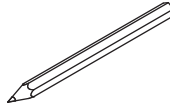
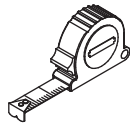
It is important that any product which is assembled using any kind of screw is re-tightened 2 weeks after assembly, and once every 3 months - in order to assure stability through-out the lifespan of the product.

For regular maintenance and cleaning of the product, for the frame, please use a rag dipped in neutral detergent to fully wipe it, and then dry it with a clean rag. For glass materials, wipe with a rag dampened with water glass cleaner, and then dry with a dry rag.

Do not use an electric screwdriver, and do not use too much force when installing, because the board is easy to break.

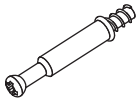


Please prepare the following tools



When installing, please carefully confirm whether each screw corresponds to the manual, accessories with similar shapes can be distinguished by size

A x 104



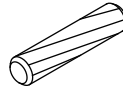
Ø6 x 35 mm

B x 104



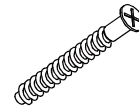
Ø15 x 10 mm

C x 160



Ø6 x 30 mm

D x 28



Ø5 x 40 mm

E x 44



Ø3 x 12 mm

F x 4

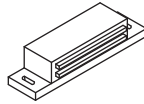


G x 100



Ø3 x 14 mm

H x 2



I x 2

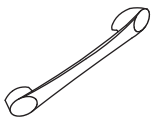


Ø4 x 12 mm

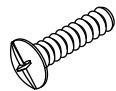
J x 2



K x 2

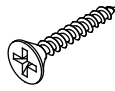


L x 6



Ø4 x 18 mm

M x 24



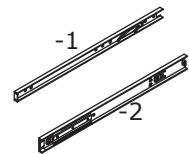
Ø4 x 30 mm

N x 44



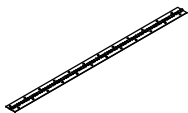
Ø3 x 12 mm

O x 4

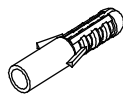


300 mm

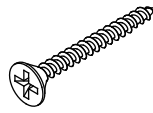
P x 4



Q x 2

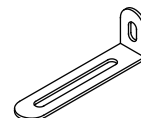


R x 2

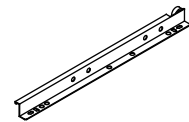


Ø4 x 40 mm

S x 2

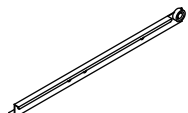


(DL) x 2



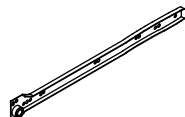
300 mm

(DR) x 2



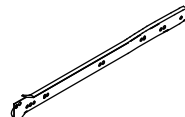
300 mm

(CL) x 2

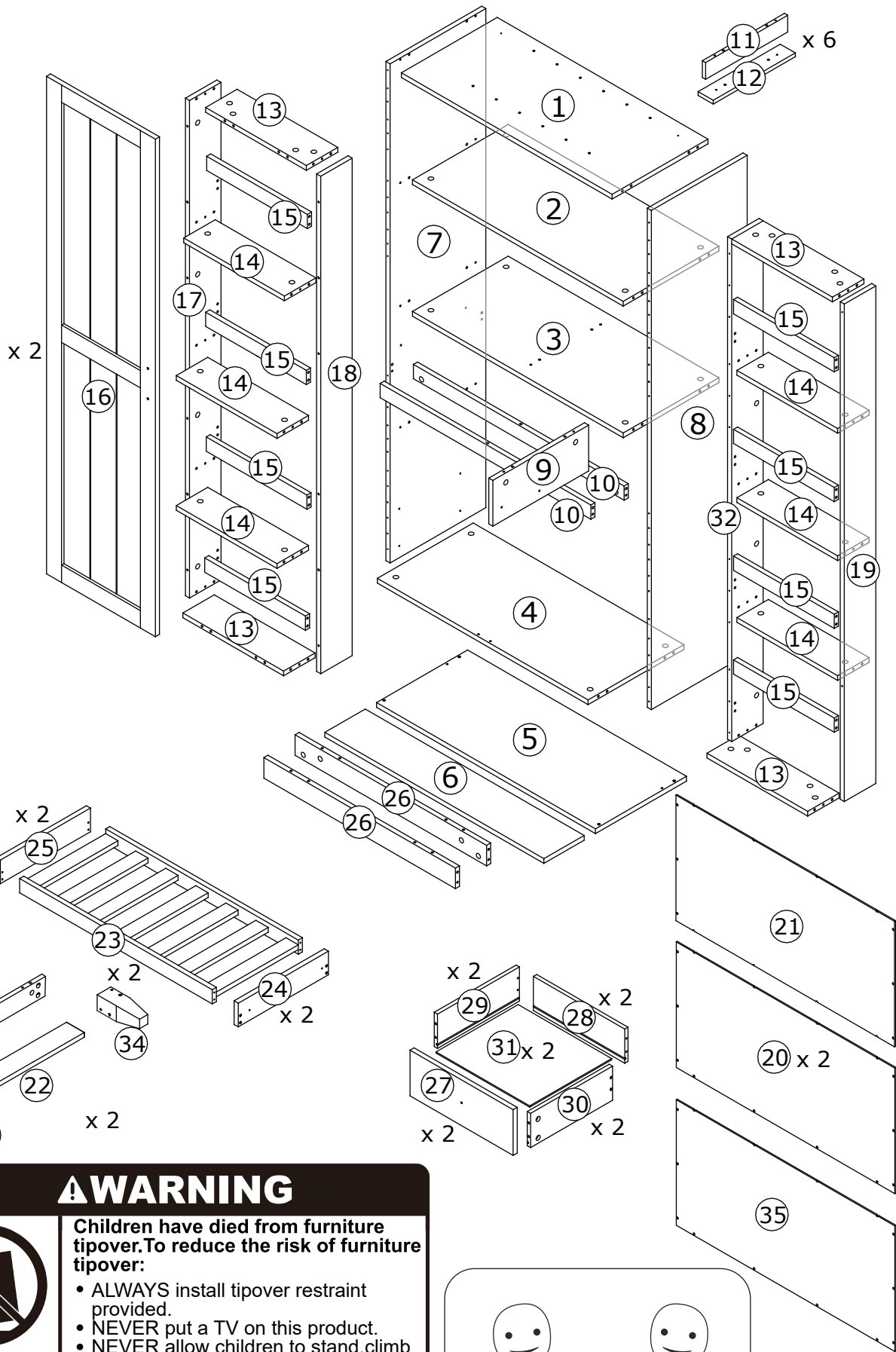


300 mm

(CR) x 2



300 mm

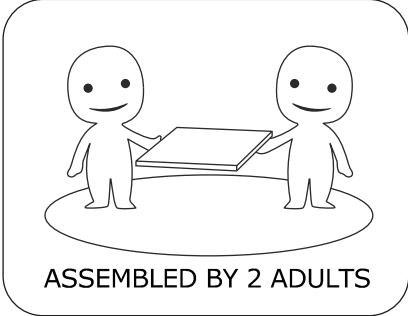


⚠ WARNING

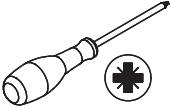
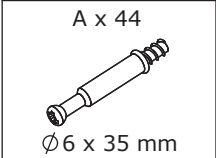
Children have died from furniture tipover. To reduce the risk of furniture tipover:

- ALWAYS install tipover restraint provided.
- NEVER put a TV on this product.
- NEVER allow children to stand, climb or hang on drawers, doors, or shelves.
- NEVER open more than one drawer at a time.
- Place heaviest items in the lowest drawers.

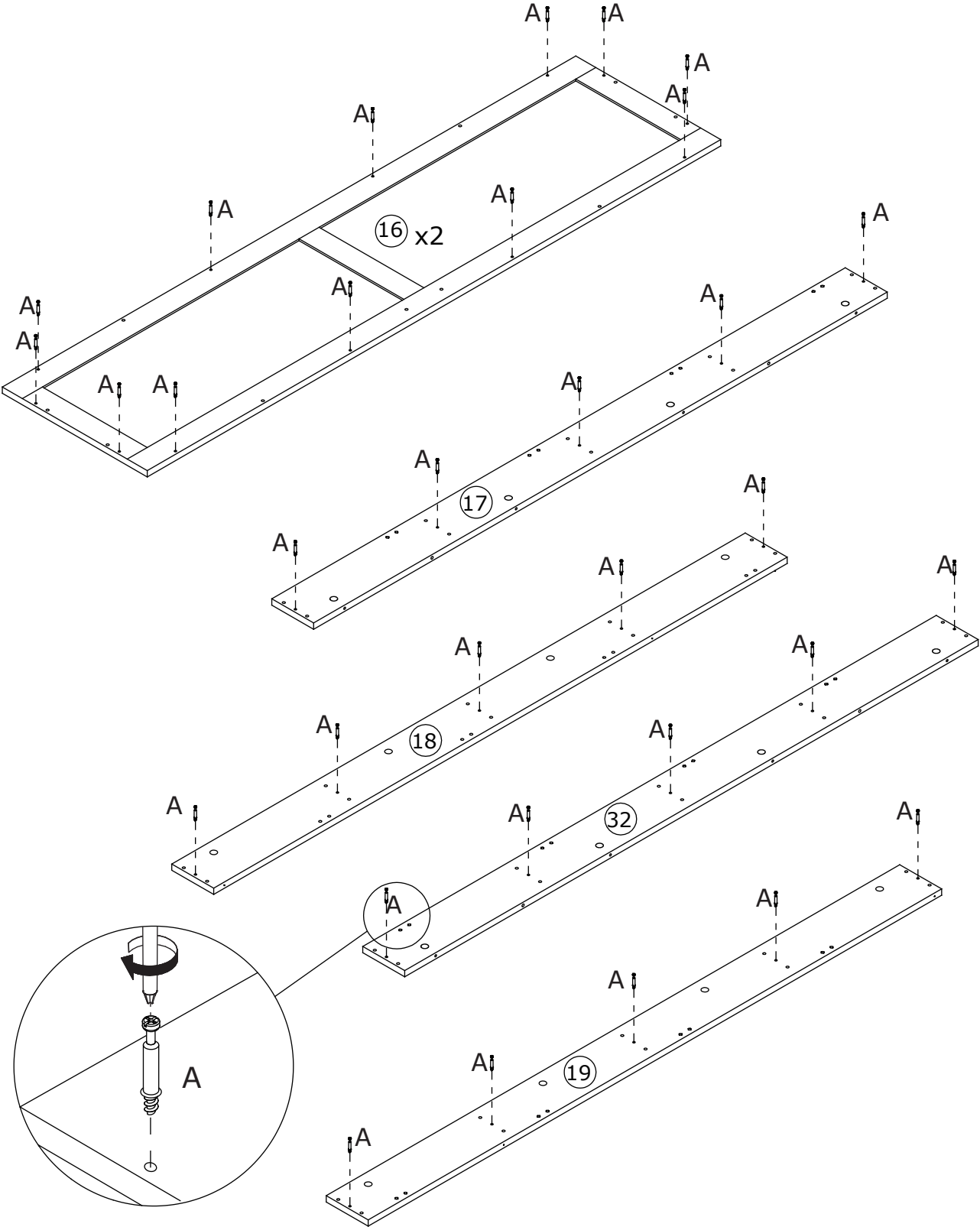
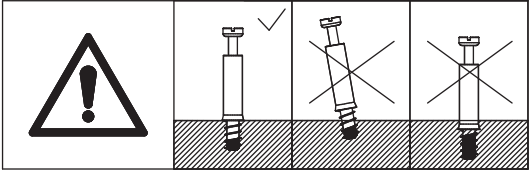
This is a permanent label. Do not remove!



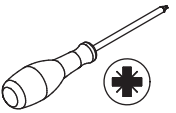
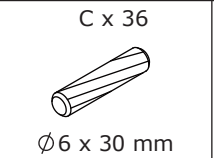
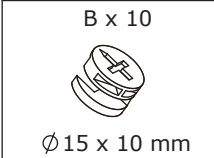
1



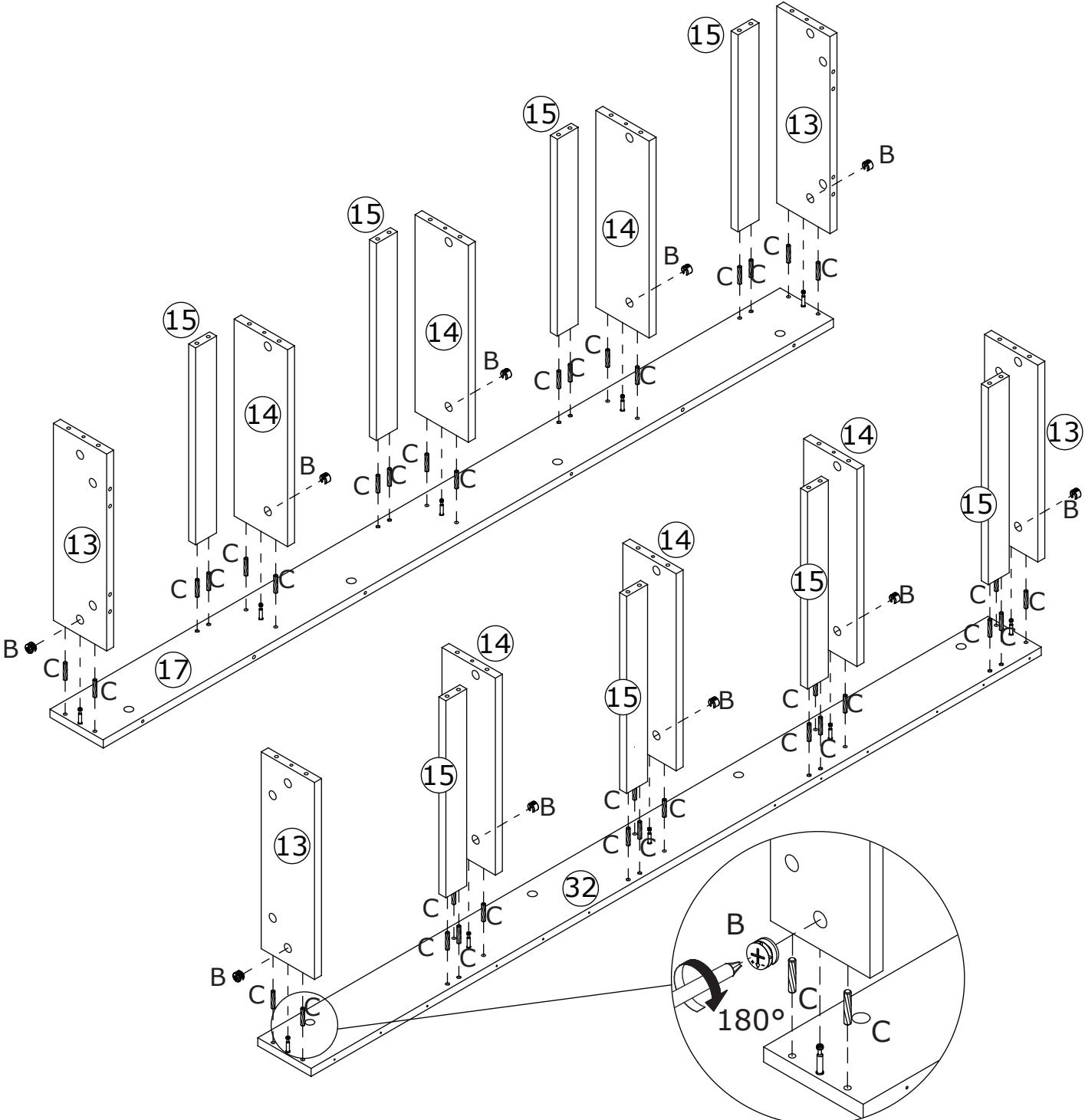
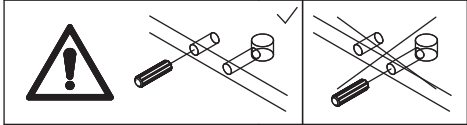
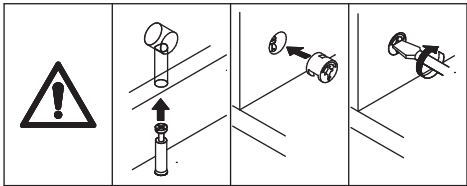
Insert quickfit screw(A) into corresponding holes in plate 16,17,18,19 and 32 with a screwdriver as shown.



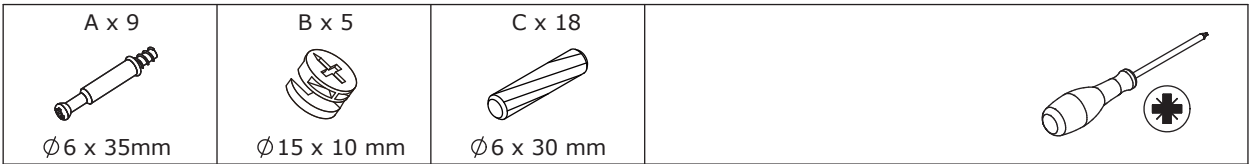
2



Attach plate 13,14 and 15 to plate 17 and 32 respectively with wooden dowel(C), put cam lock(B) into holes in plate 13,14 and turn clockwise to tighten as shown.

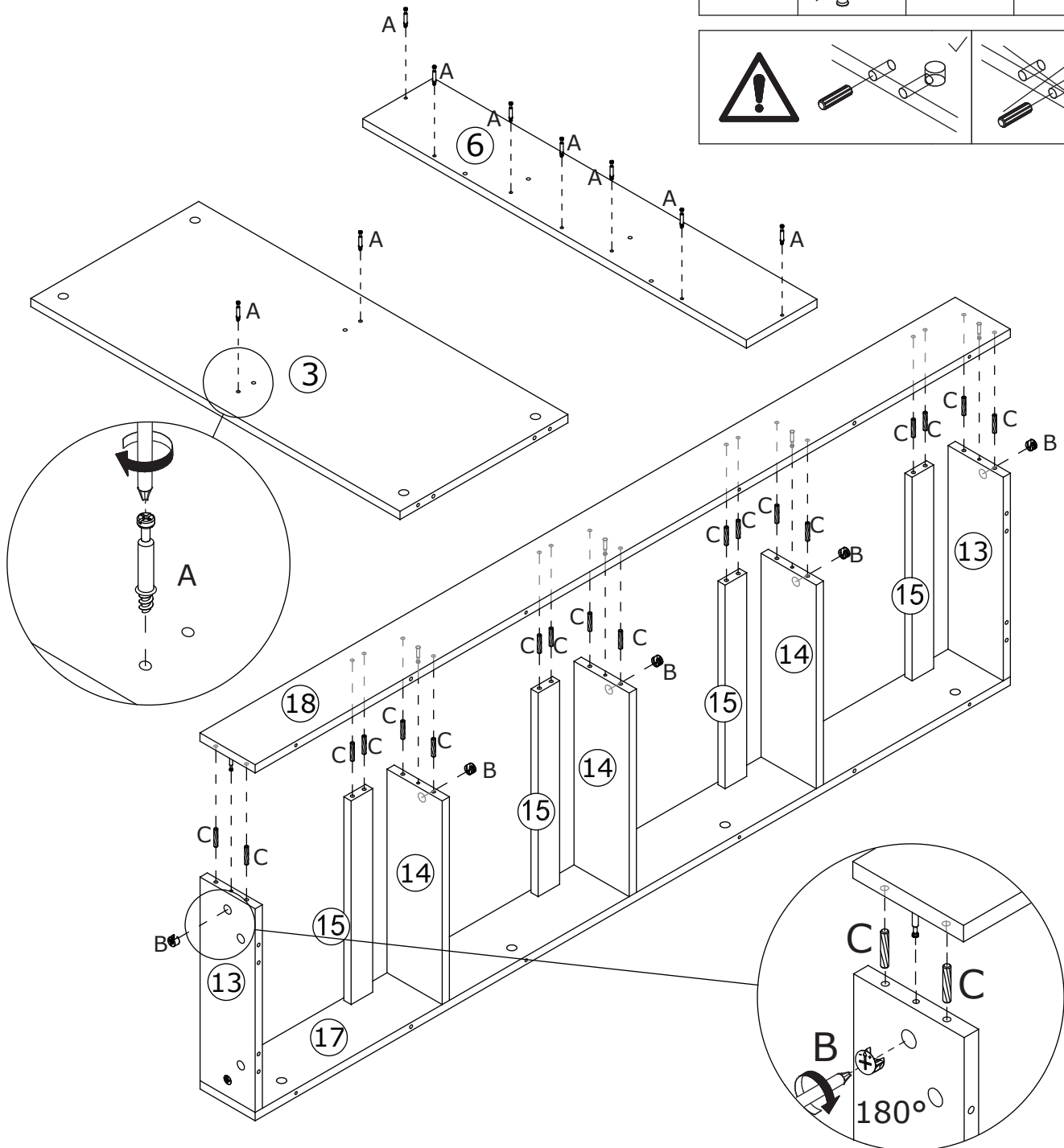
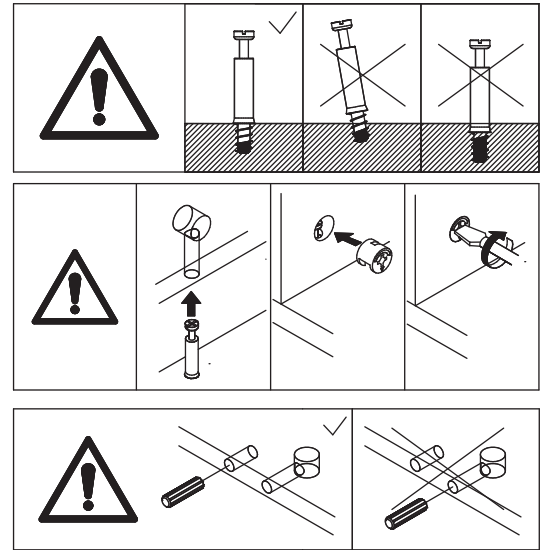


3

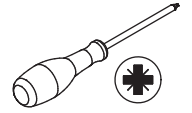
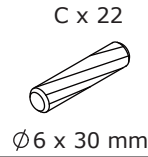
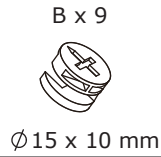


Insert quickfit screw(A) into corresponding holes in plate 3 and 6 as shown.

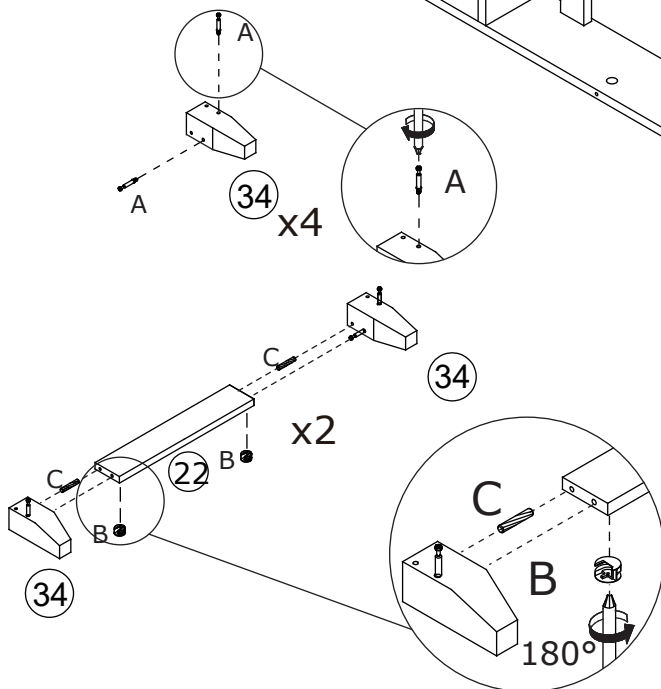
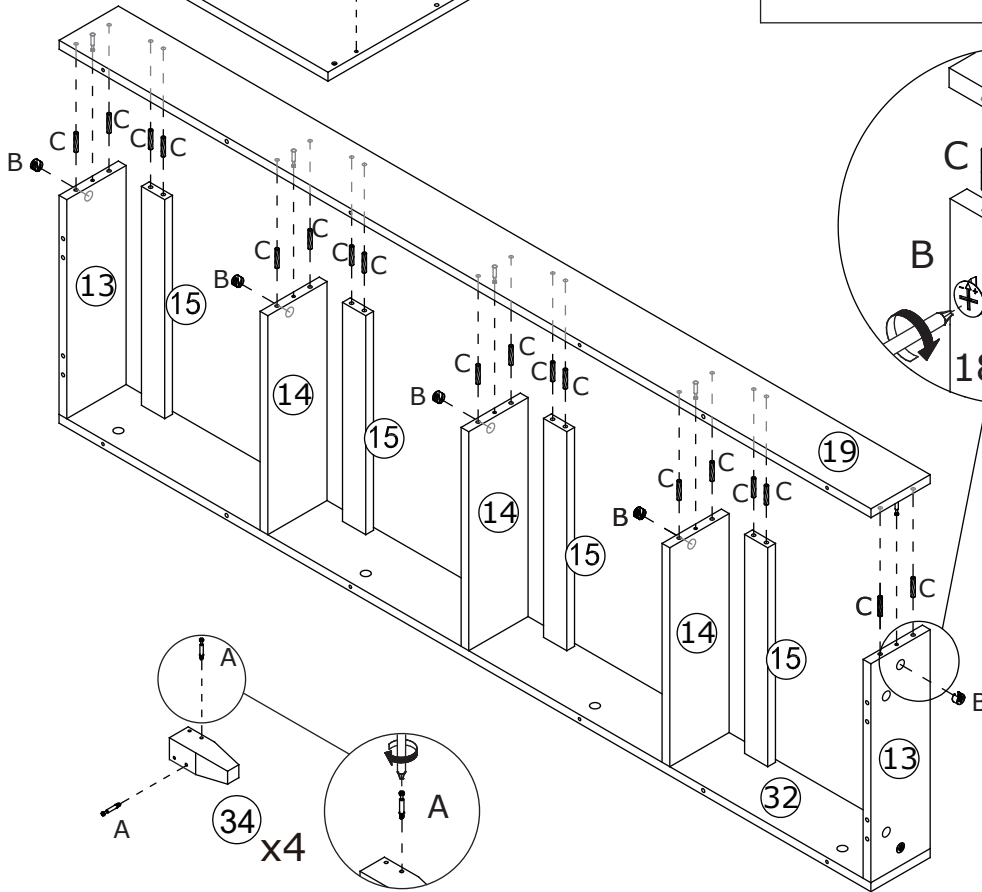
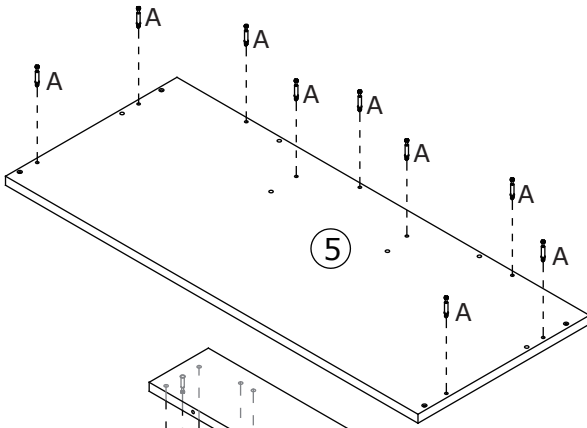
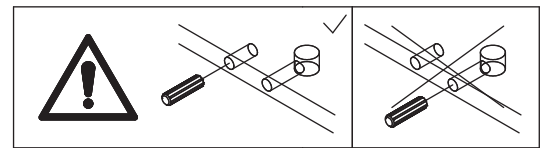
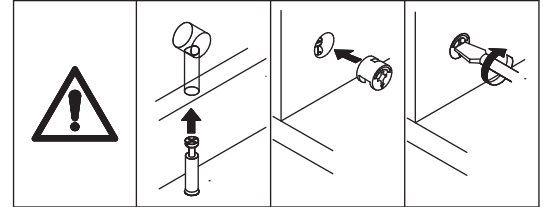
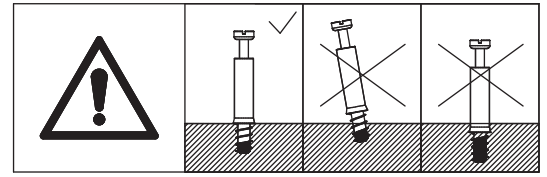
Attach plate 18 to plate 13,14 and 15 with wooden dowel(C), put cam lock(B) into holes in plate 13,14 and turn clockwise to tighten as shown.



4

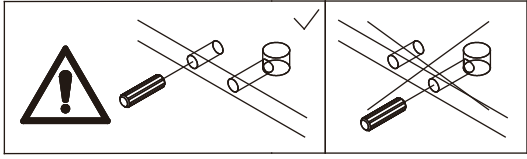
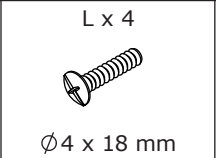
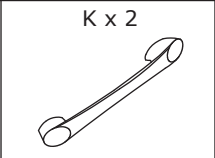
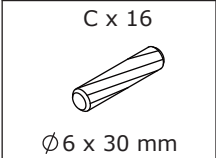


Attach plate 19 to plate 13,14 and 15 with wooden dowel(C), put cam lock(B) into holes in plate 13,14 and turn clockwise to tighten as shown.

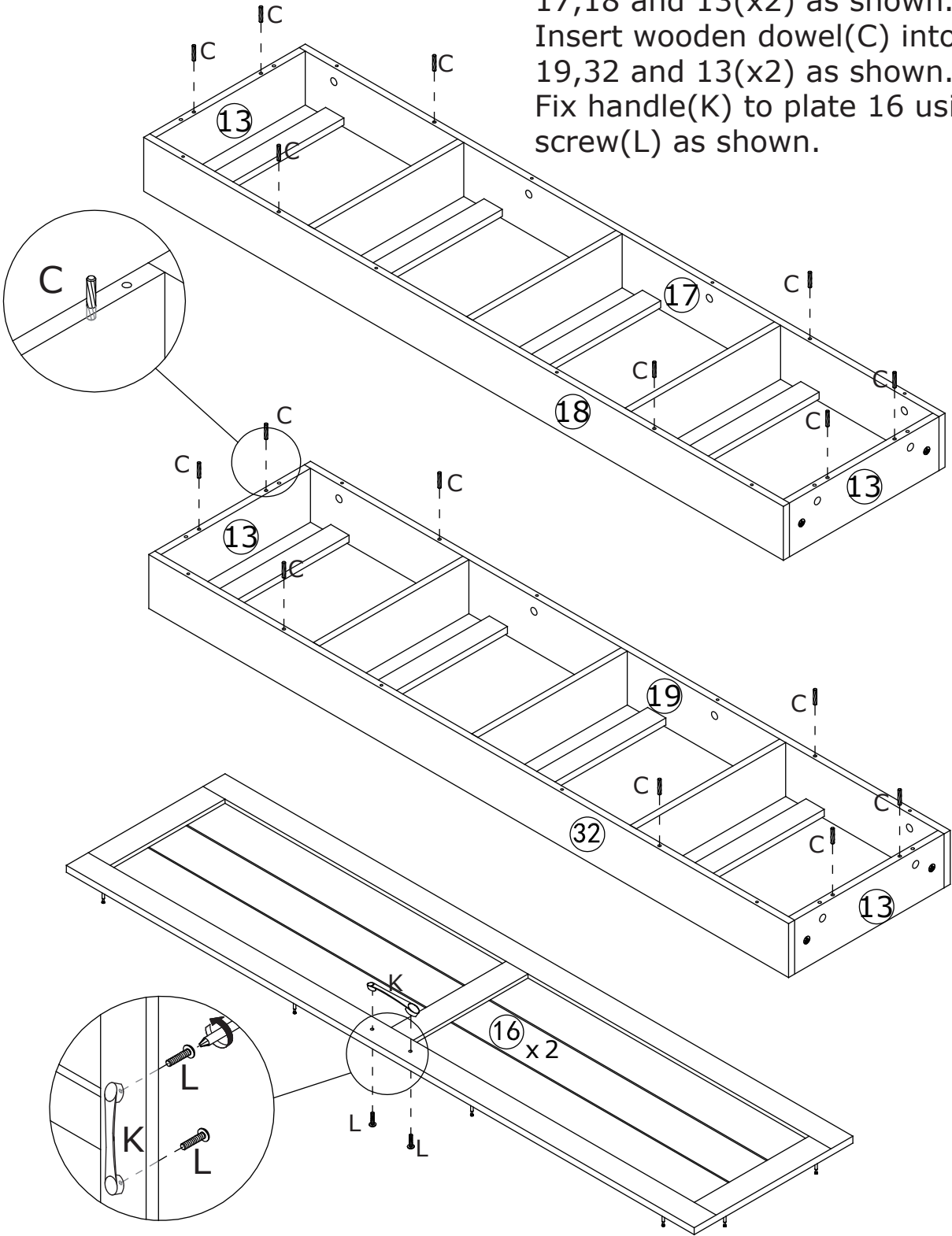


Insert quickfit screw(A) into plate 5 and leg 34 at first.
 Connect leg 34 to plate 22 with wooden dowel(C), put cam lock(B) into holes in plate 22 and turn clockwise to tighten as shown.

5

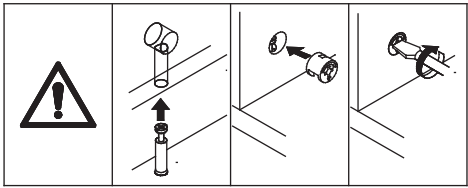


Insert wooden dowel(C) into plate 17,18 and 13(x2) as shown.
Insert wooden dowel(C) into plate 19,32 and 13(x2) as shown.
Fix handle(K) to plate 16 using screw(L) as shown.

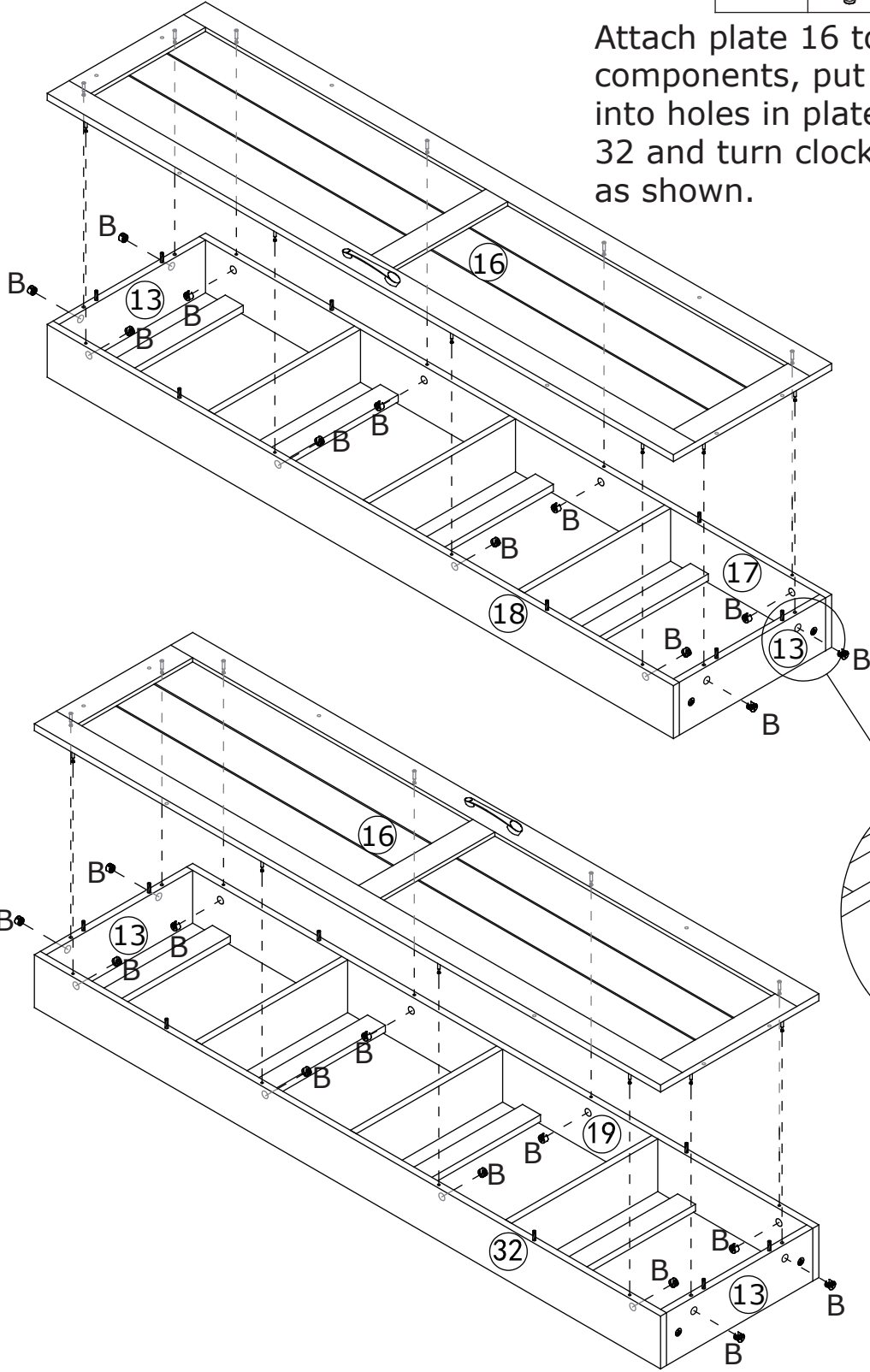


6

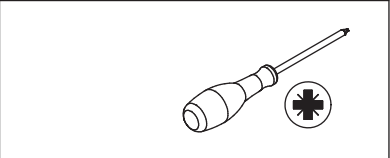
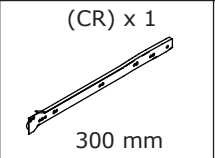
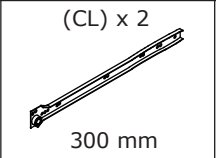
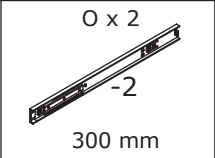
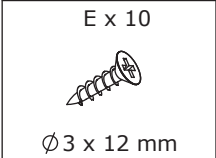
B x 24
Ø15 x 10 mm



Attach plate 16 to the two components, put cam lock(B) into holes in plate 13,17,18,19, 32 and turn clockwise to tighten as shown.

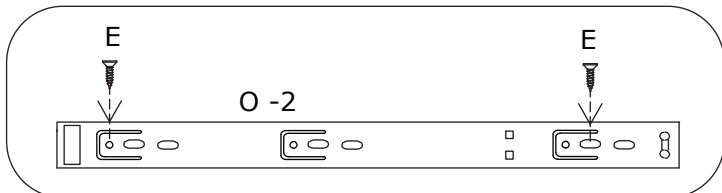
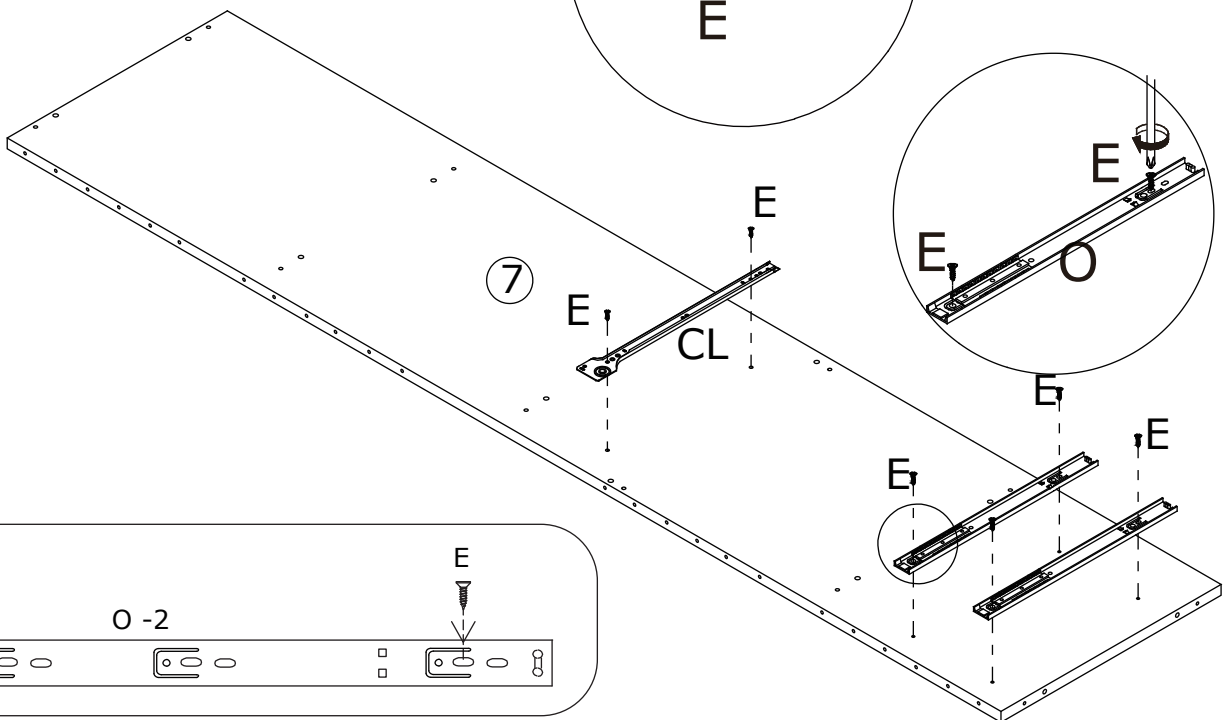
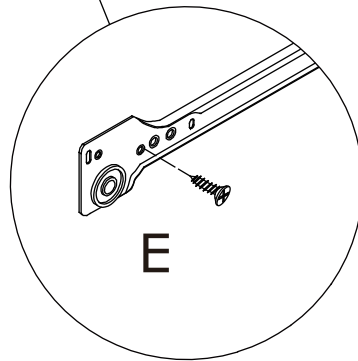
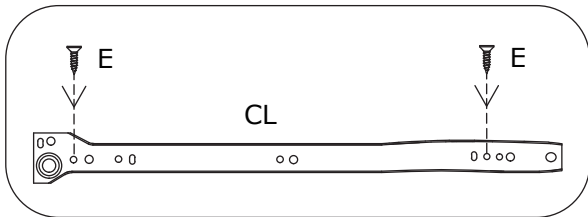
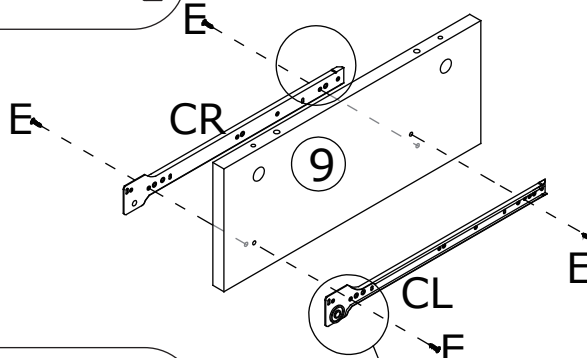
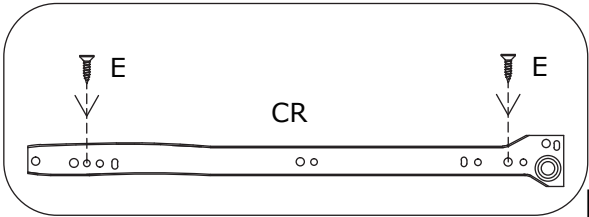
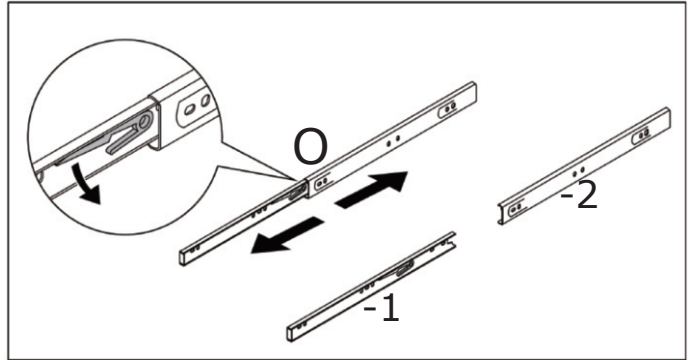


7

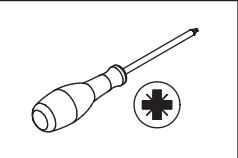
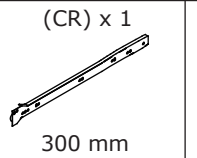
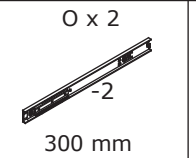
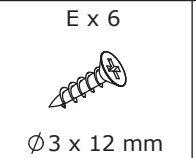
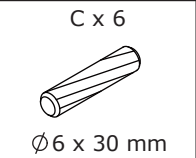
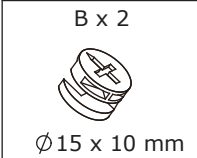


Fix slide rail(CL) and (CR) to one plate 9 using screw(E) as shown.

Fix slide rail(Ox2) and (CL) to plate 7 using screw(E) as shown.



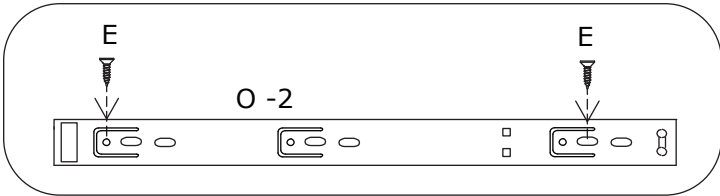
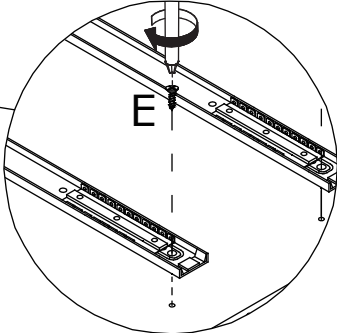
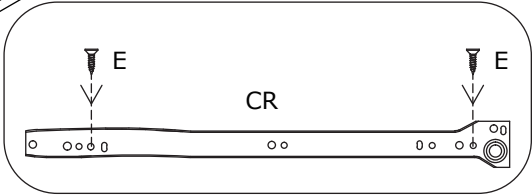
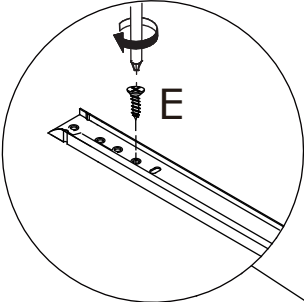
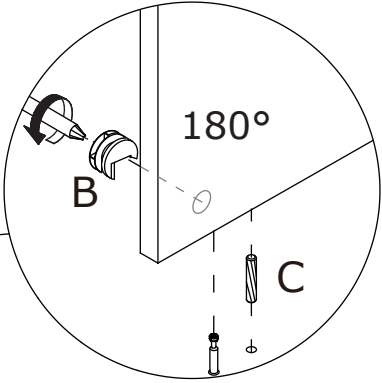
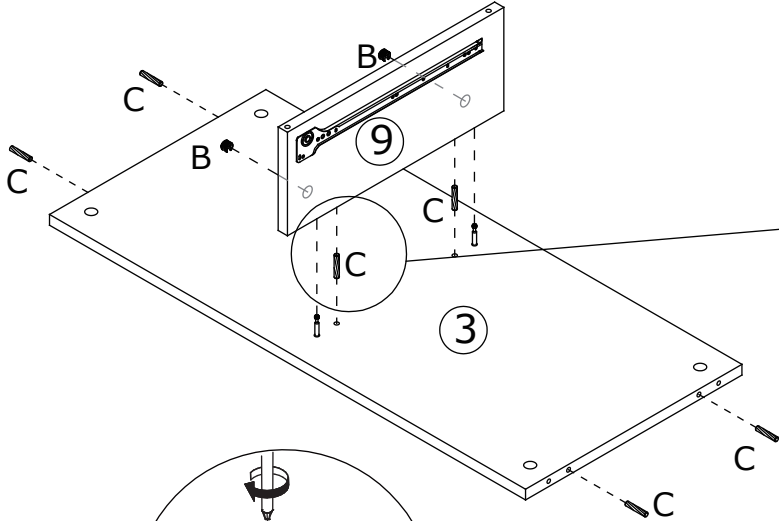
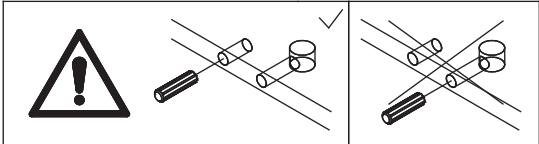
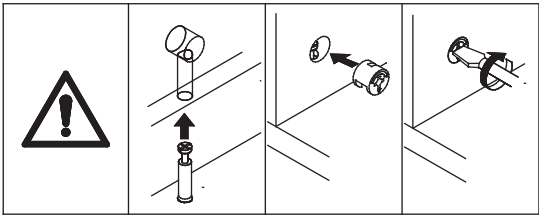
8



Attach plate 9 to plate 3 with wooden dowel(C), put cam lock(B) into holes in plate 9 and turn clockwise to tighten as shown.

Insert wooden dowel(C) into sides of plate 3 as shown.

Fix slide rail(Ox2) and (CR) to plate 8 using screw(E) as shown.

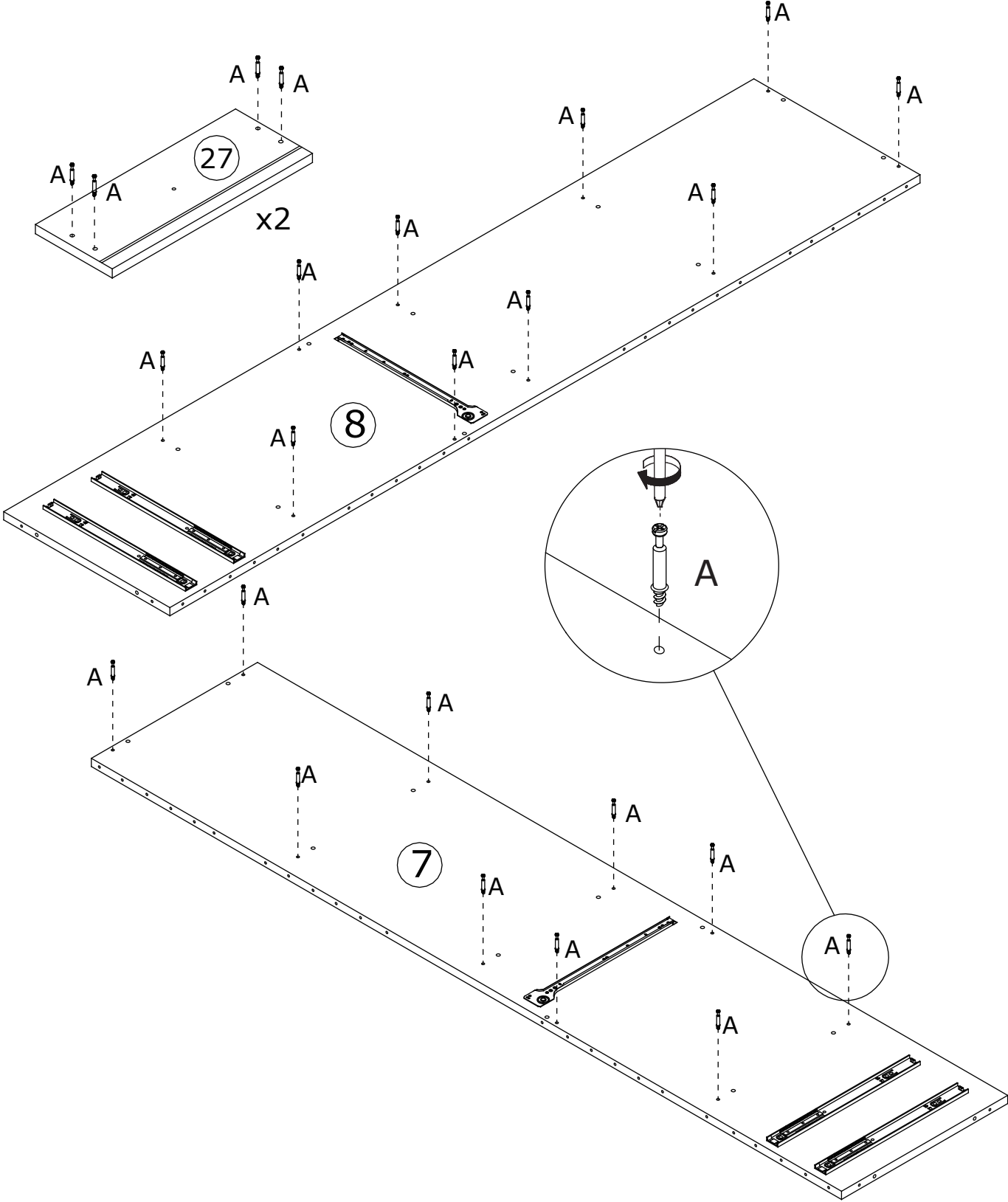
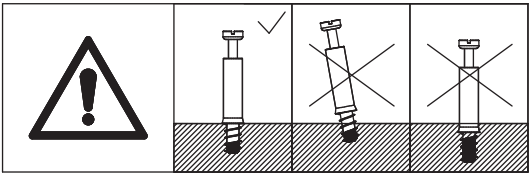


9

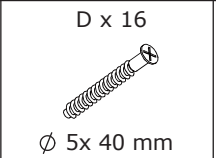
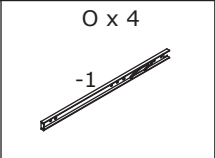
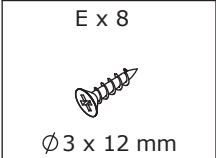
A x 28
Ø6 x 35 mm



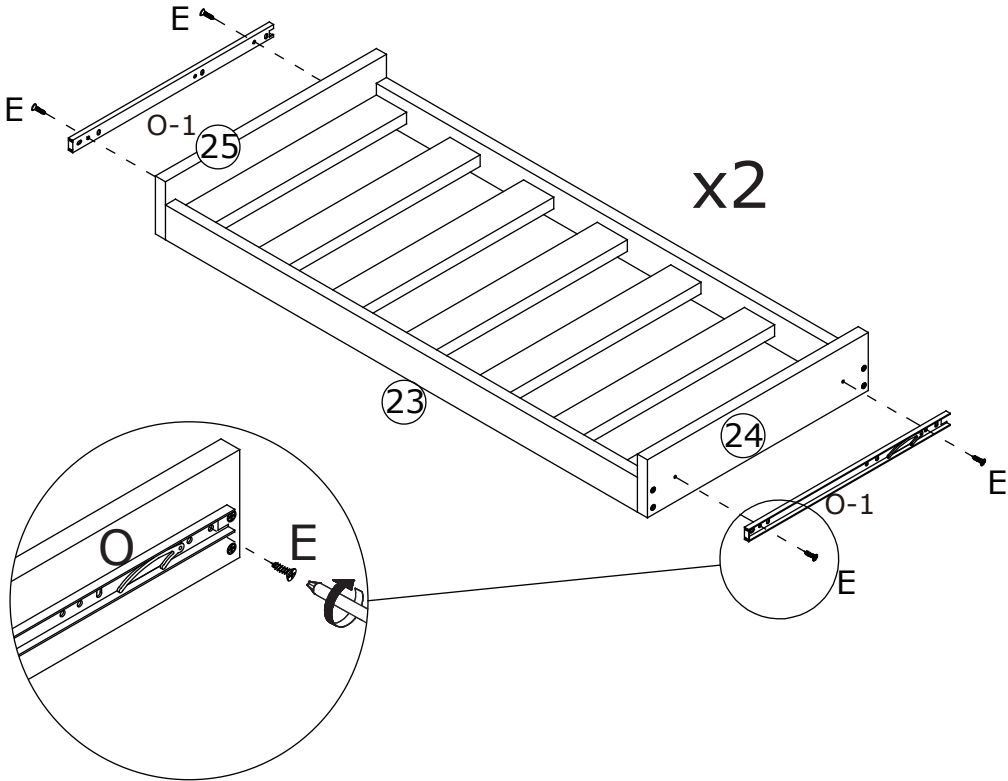
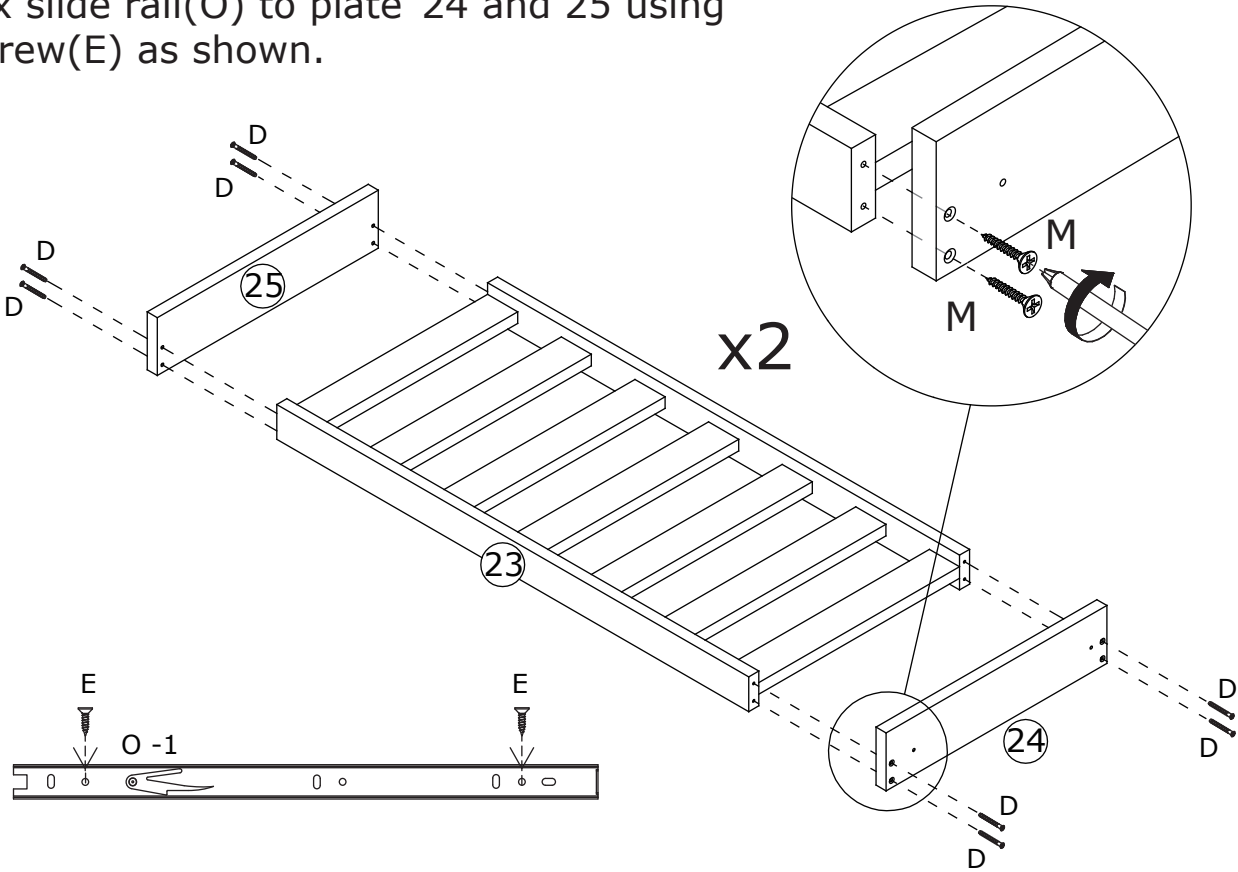
Insert quickfit screw(A) into corresponding holes in plate 7,8 and 27 with a screwdriver as shown.



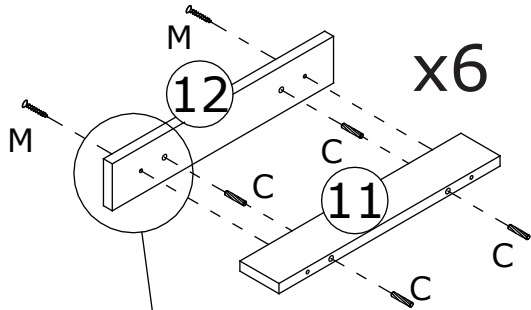
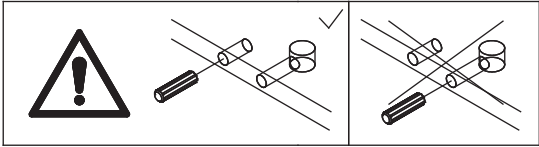
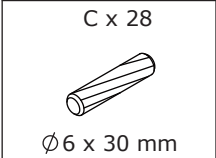
10



Connect plate 24 and 25 with plate 23 using screw(M) as shown.
Fix slide rail(O) to plate 24 and 25 using screw(E) as shown.

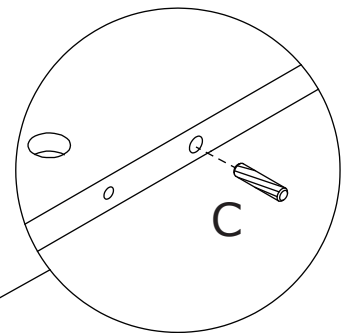
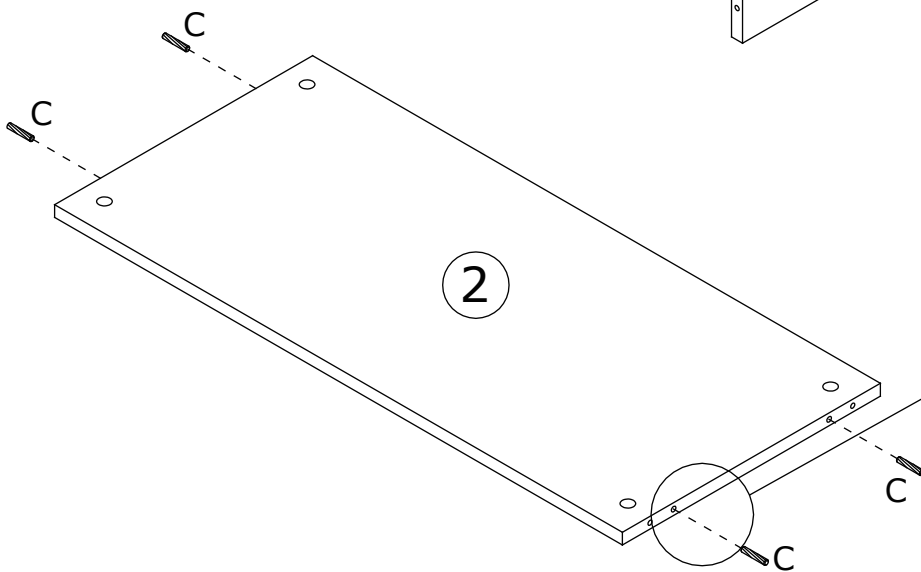
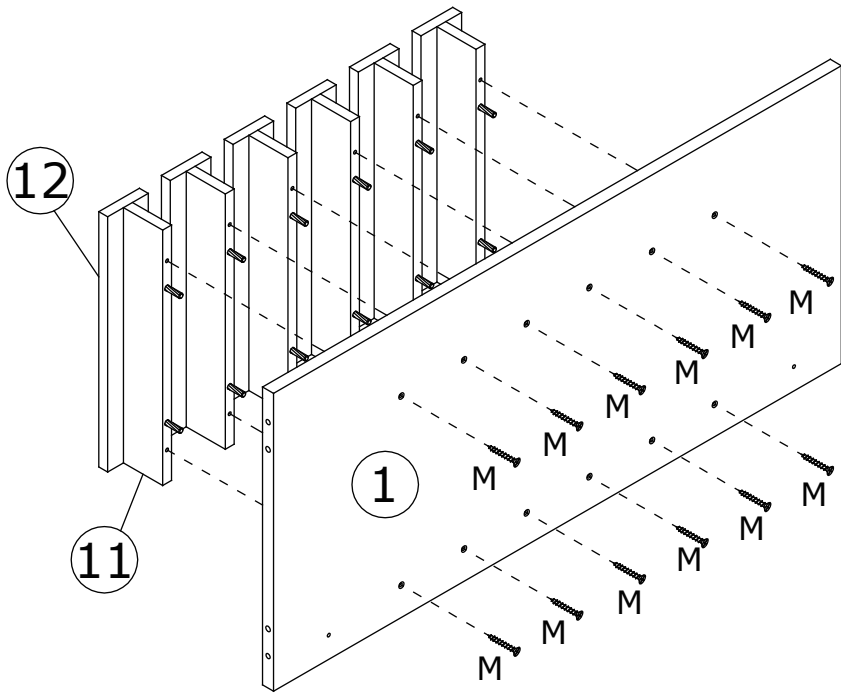
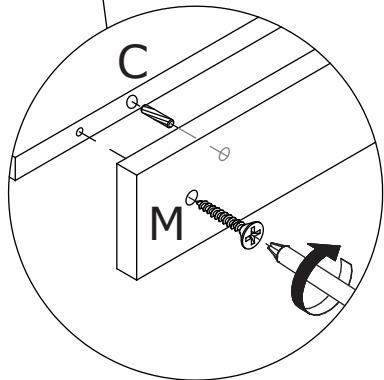


11

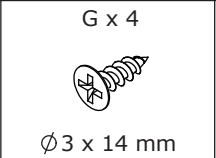
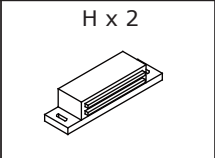
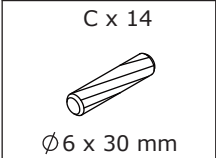


Connect plate 11 with 12 using wooden dowel (C), then fix with screw (M). Insert wooden dowel (C) into plate 11 as shown.

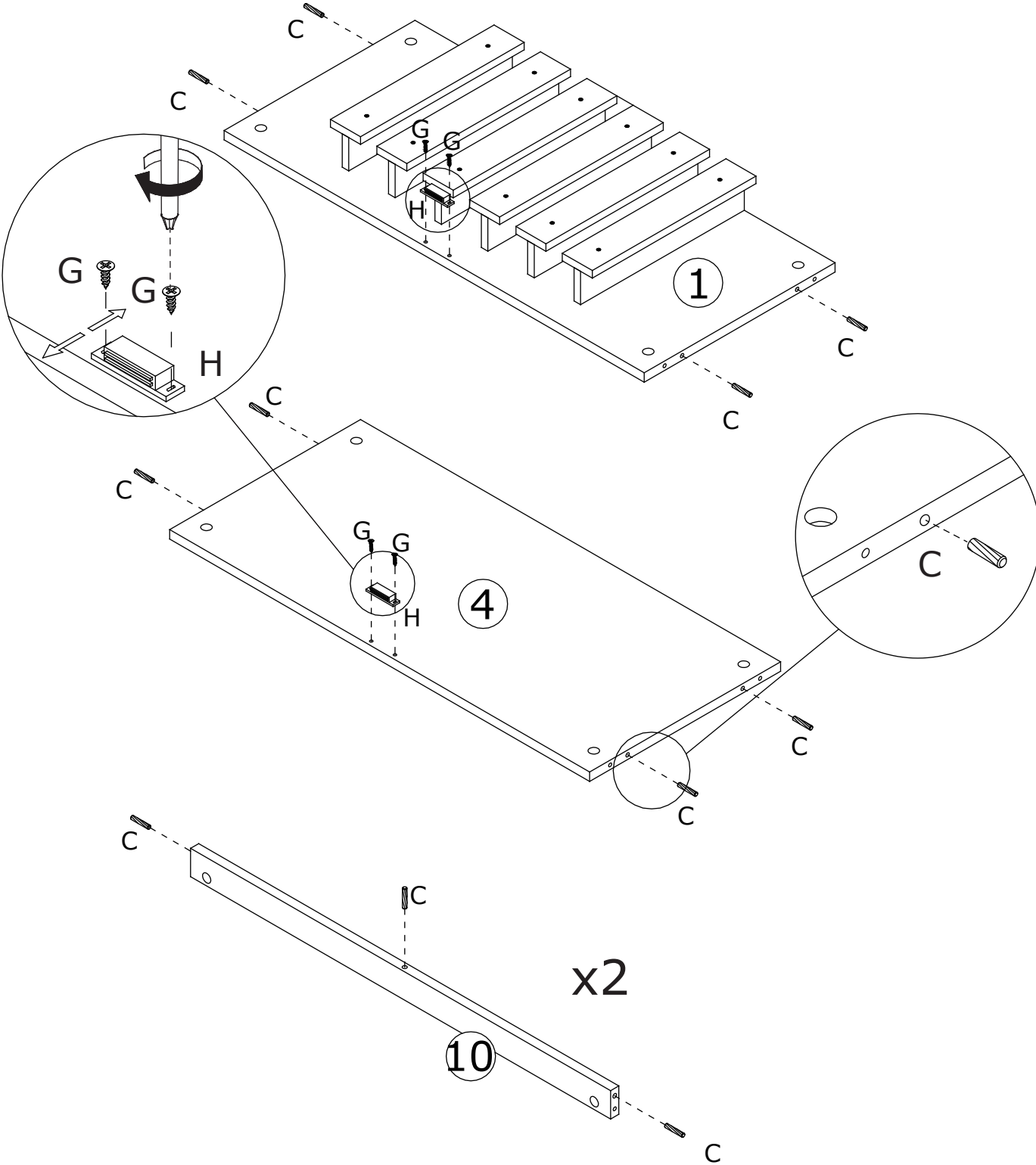
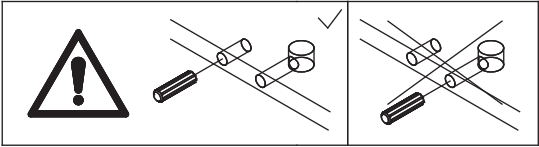
Attach the six components to plate 1 and fix with screw (M) as shown. Insert wooden dowel (C) into plate 2 as shown.




12



Insert wooden dowel(C) into plate 1,4 and 10 as shown.
Fix part(H) to plate 1 using screw(G) as shown.

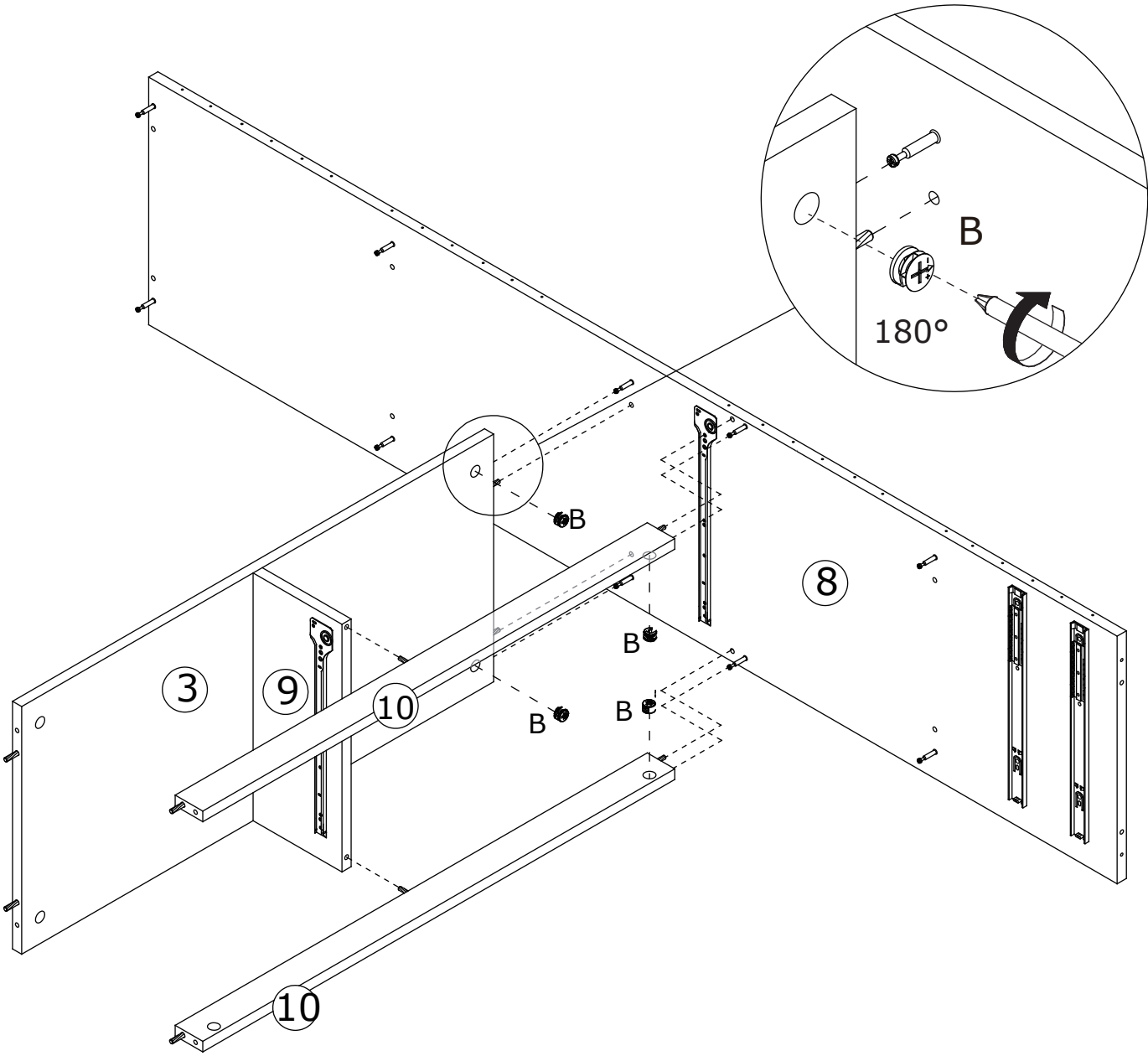
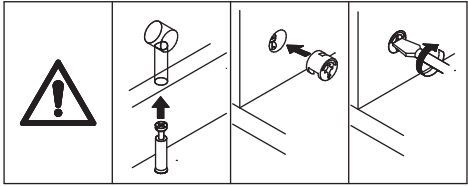


13

B x 4

Ø15 x 10 mm



Attach two plate 10 to plate 9 at first.
Attach the component to plate 8, put
cam lock(B) into holes in plate 3,10 and
turn clockwise to tighten as shown.

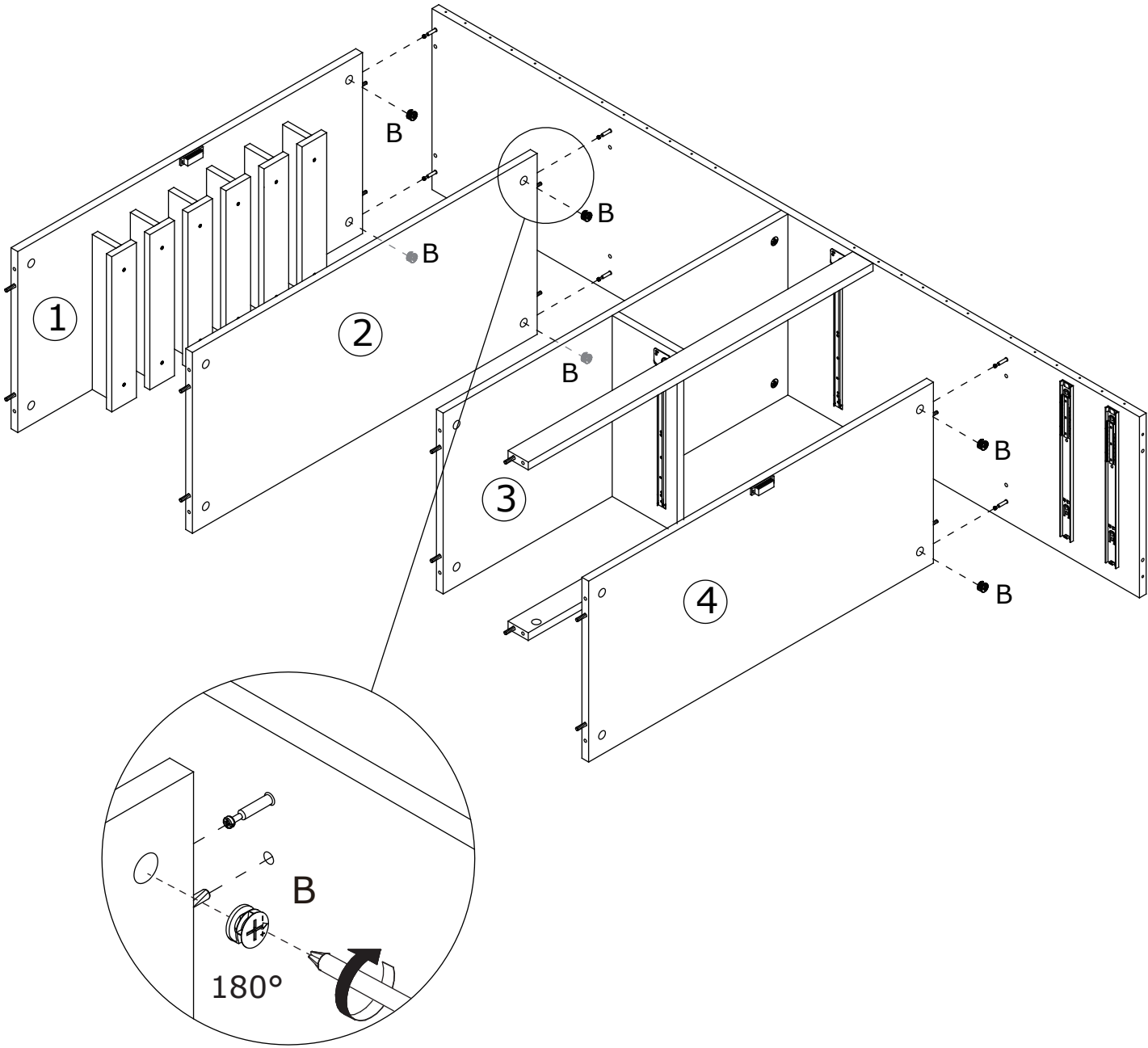
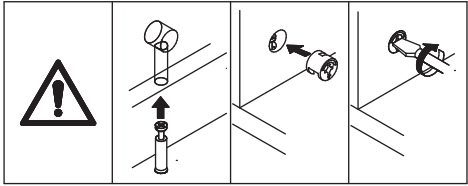


14

B x 6
Ø15 x 10 mm

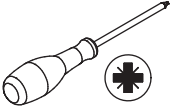


Attach plate 1,2 and 4 to plate 8, put cam lock(B) into holes in plate 1,2,4 and turn clockwise to tighten as shown.

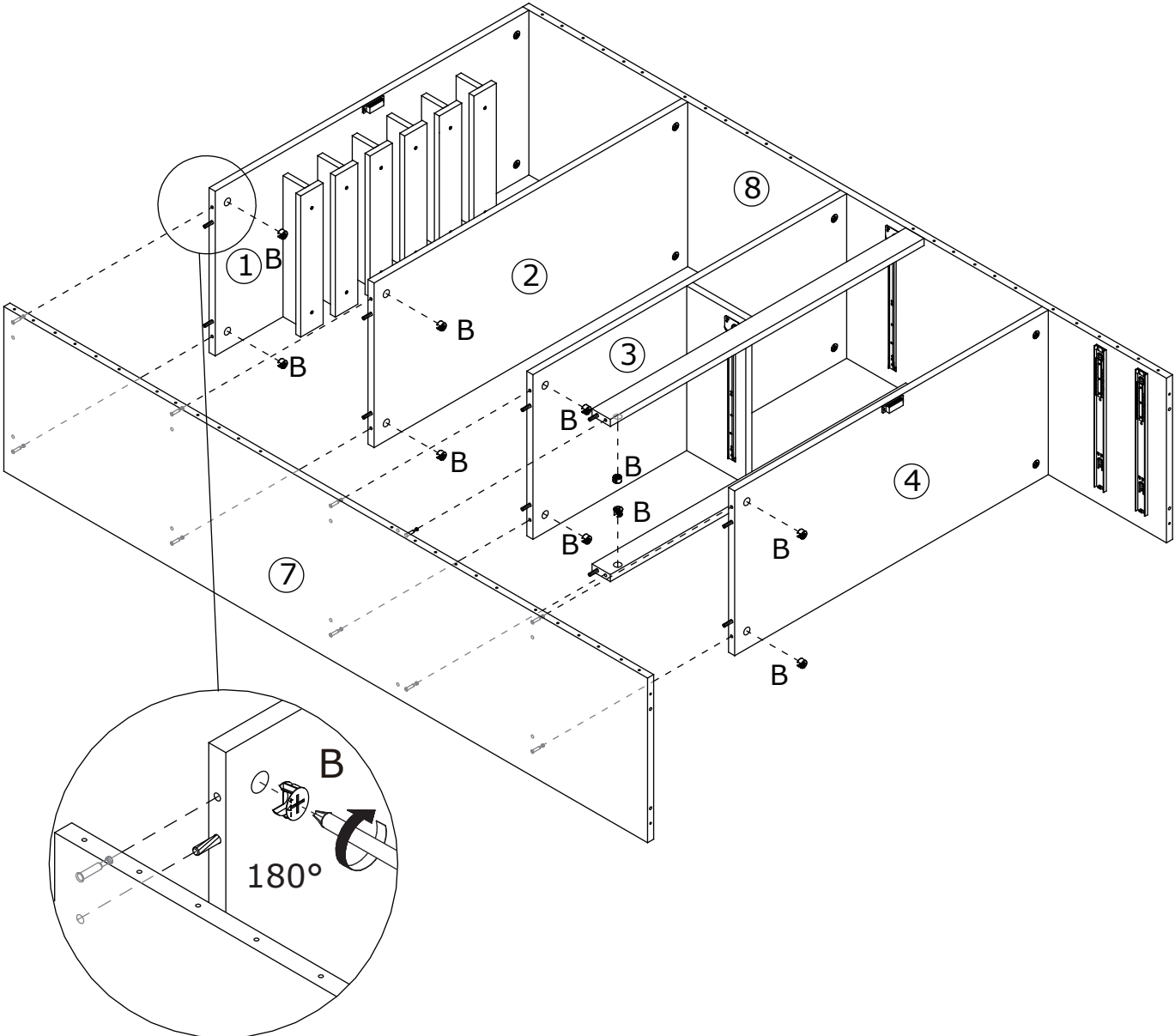
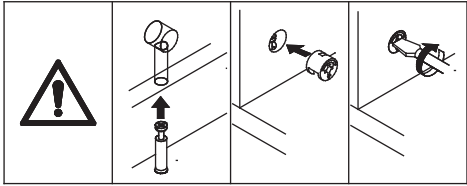


15

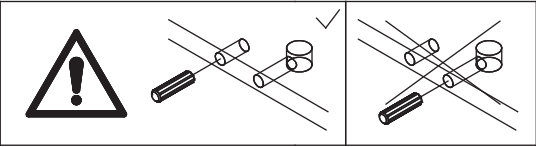
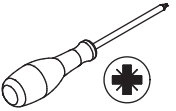
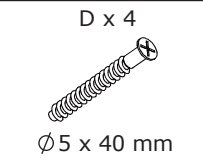
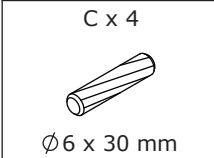
B x 10
Ø15 x 10 mm



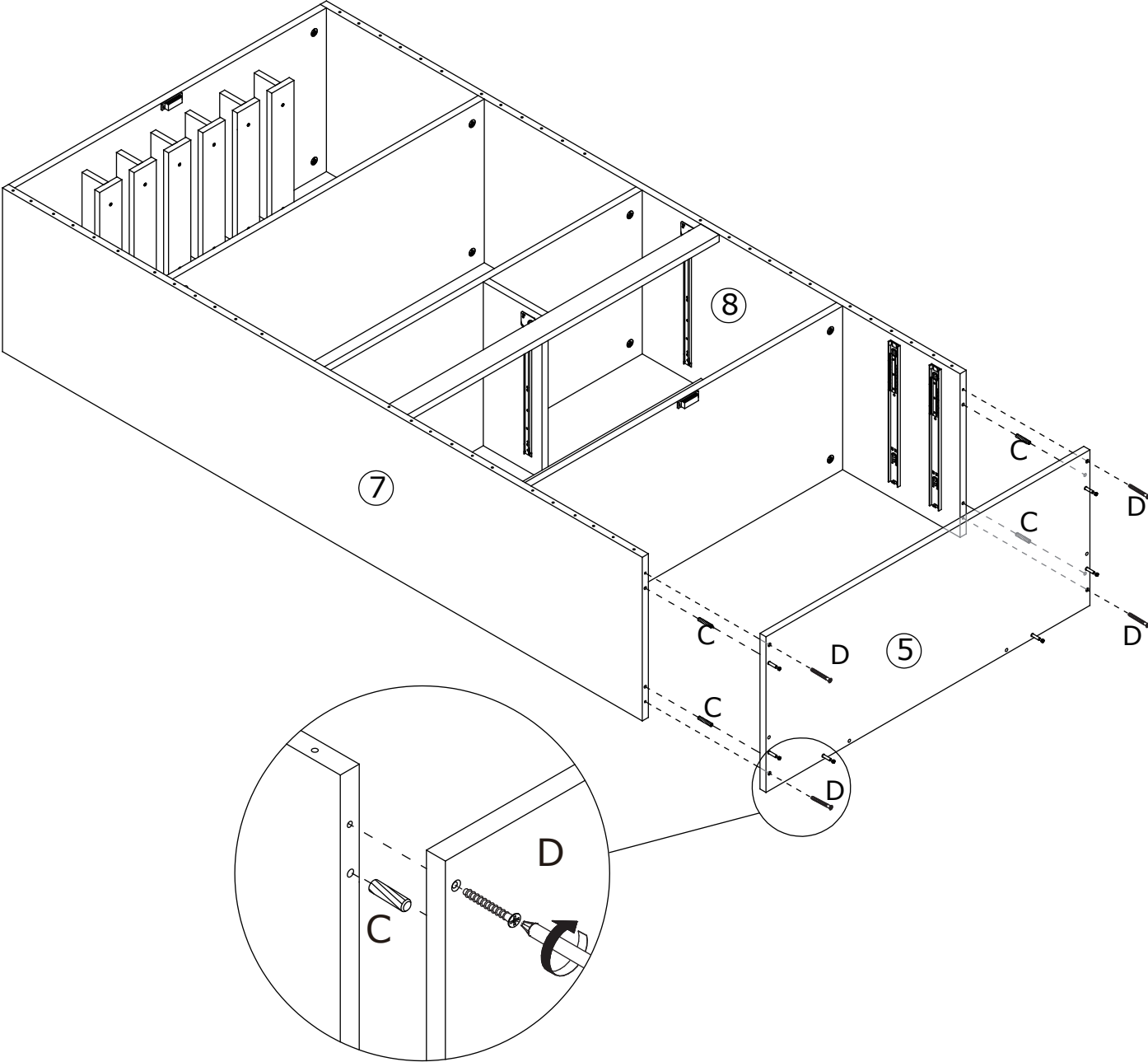
Attach plate 7 to plate 1,2,3,10 and 4 ,
put cam lock(B) into holes in plate 1,2,3,
10,4 and turn clockwise to tighten as
shown.




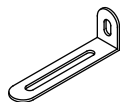

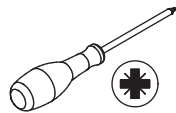
16



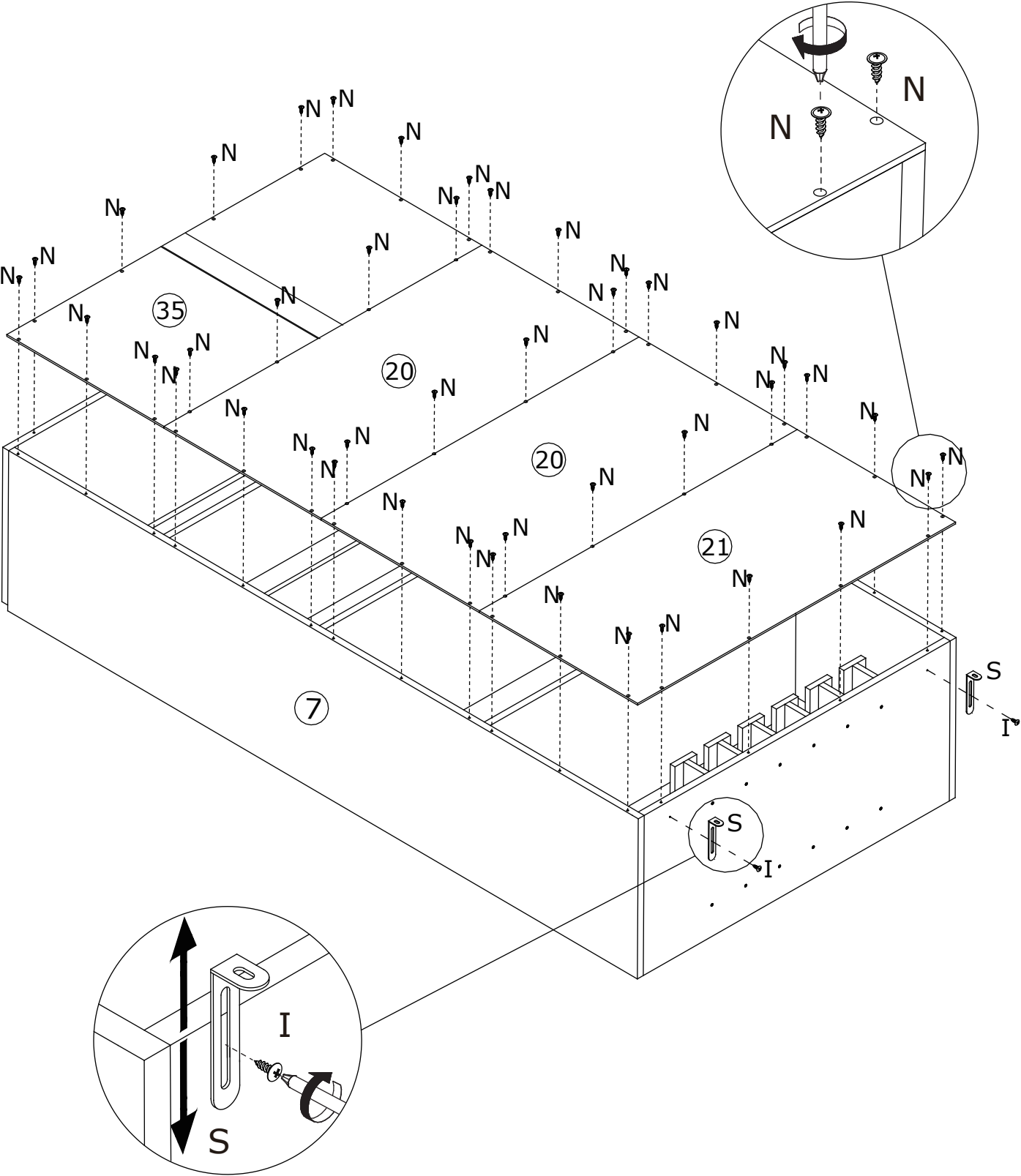
Attach plate 5 to plate 7 and 8 with wooden dowel(C) ,
and fix with screw(D) as shown.



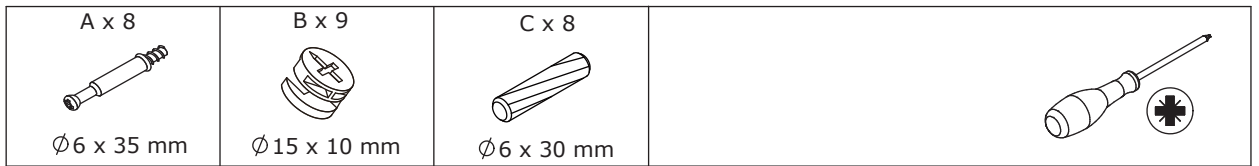
17

<p>N x 44</p>  <p>Ø3 x 12 mm</p>	<p>S x 2</p> 	<p>I x 2</p>  <p>Ø4 x 12 mm</p>	
---	--	--	---

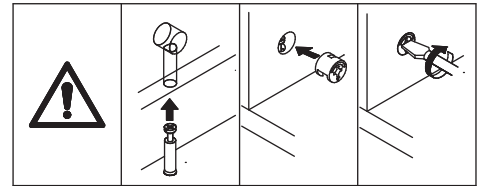
Fix back plate 20 35 and 21 using screw(N) as shown.
Fix part(S) to plate 1 using screw(I) as shown.



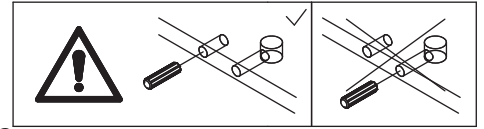
18



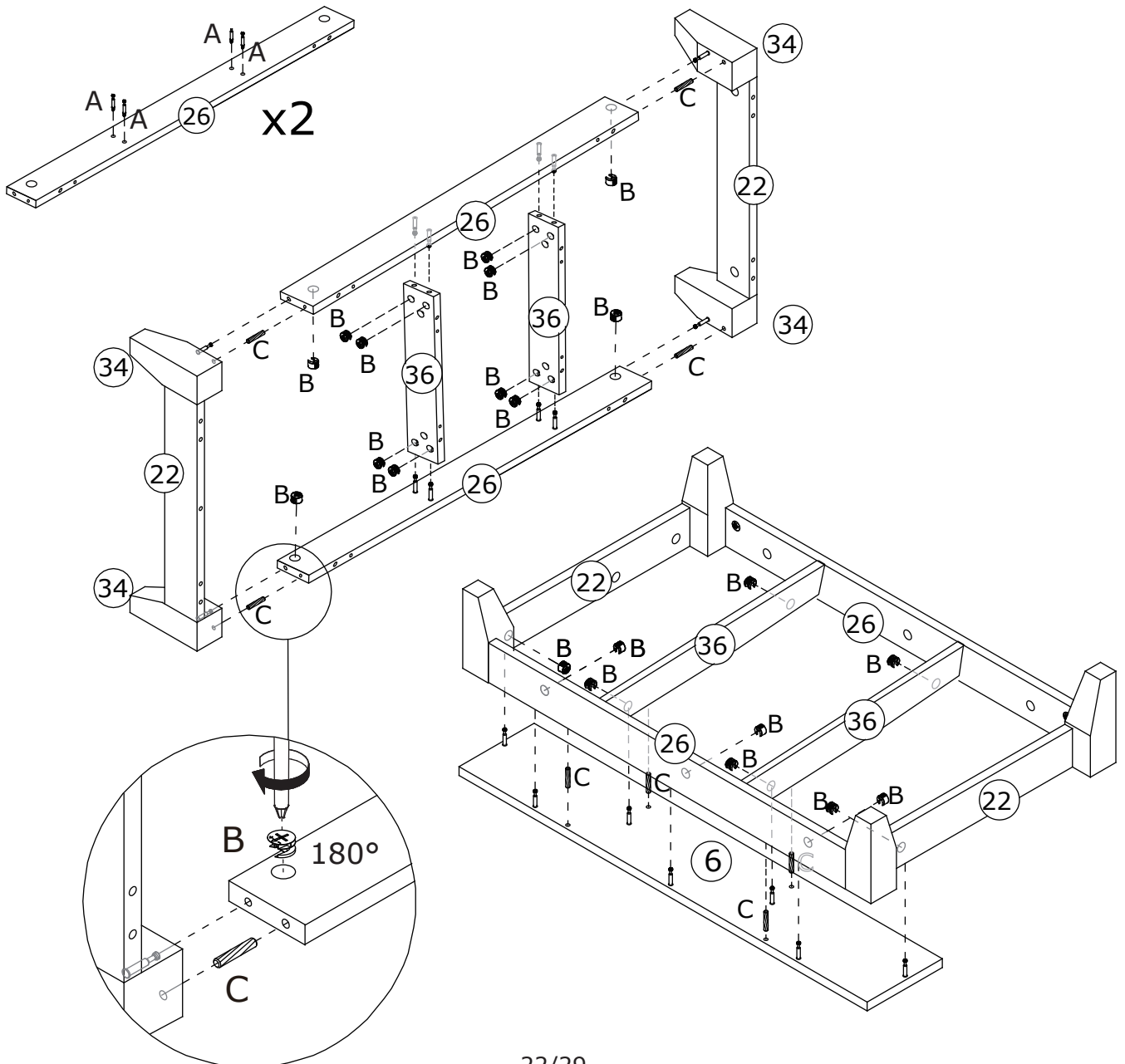
Insert quickfit screw(A) into corresponding holes in plate 26, with a screwdriver as shown.



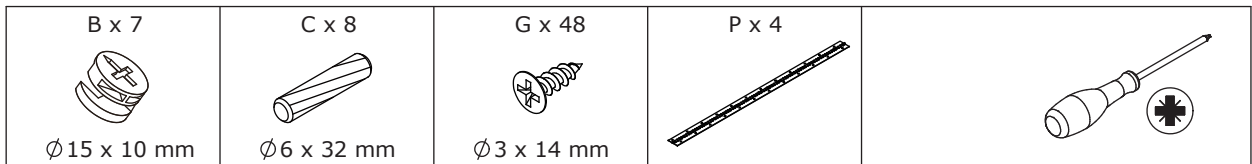
Connect leg parts with plate 26 using wooden dowel(C), put cam lock(B) into holes in plate 26 and 36 and turn clockwise to tighten as shown.



Attach plate 6 to plate 22 and 26 and 36 with wooden dowel(C), put cam lock(B) into holes in plate 22, 26, 36 and turn clockwise to tighten as shown.

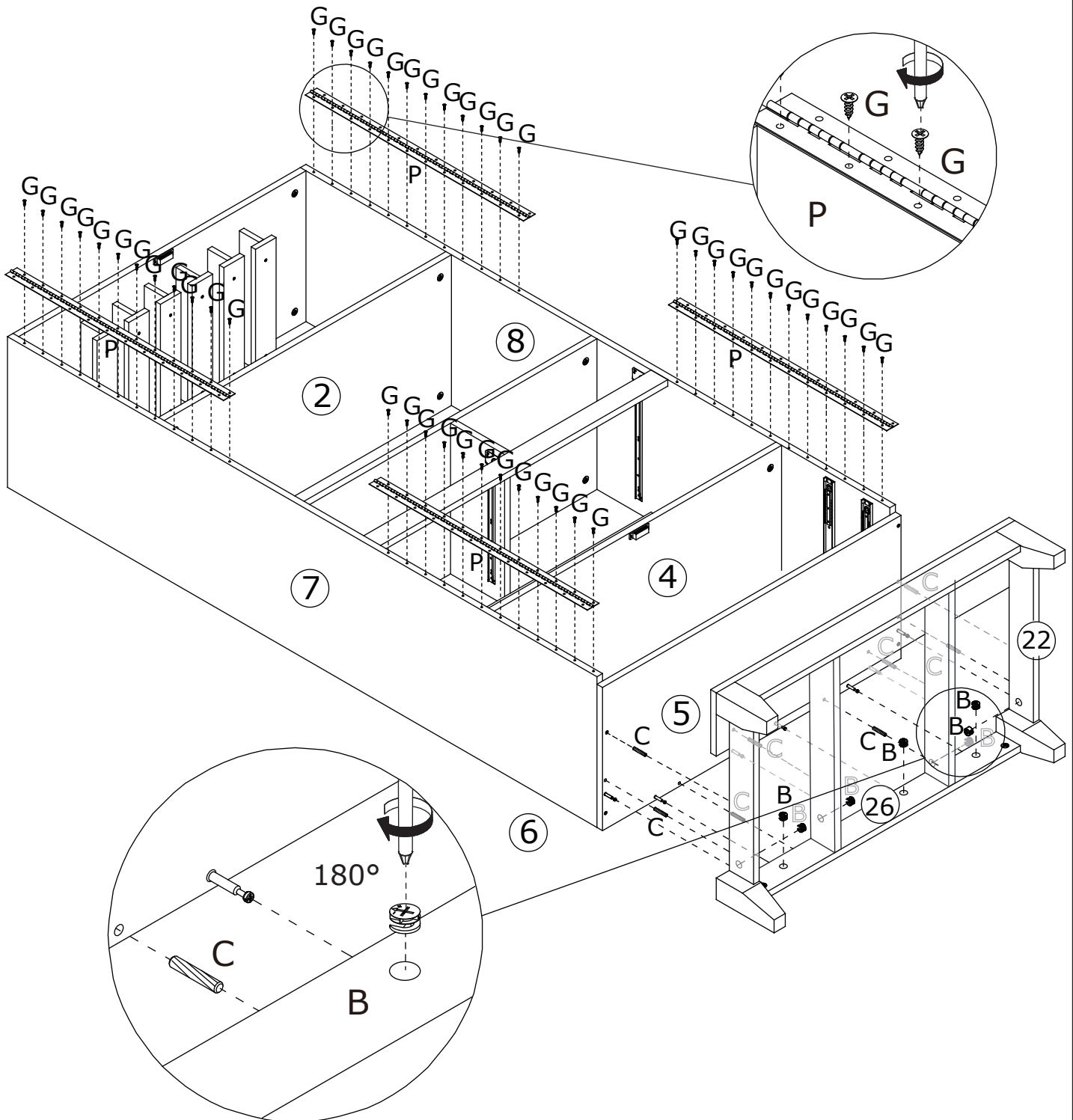
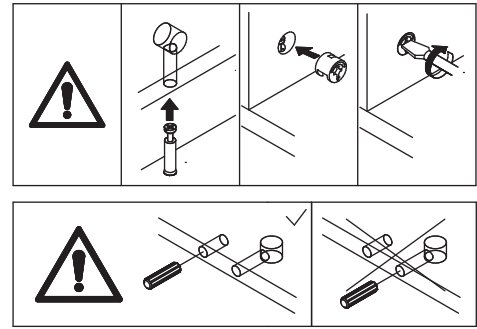


19

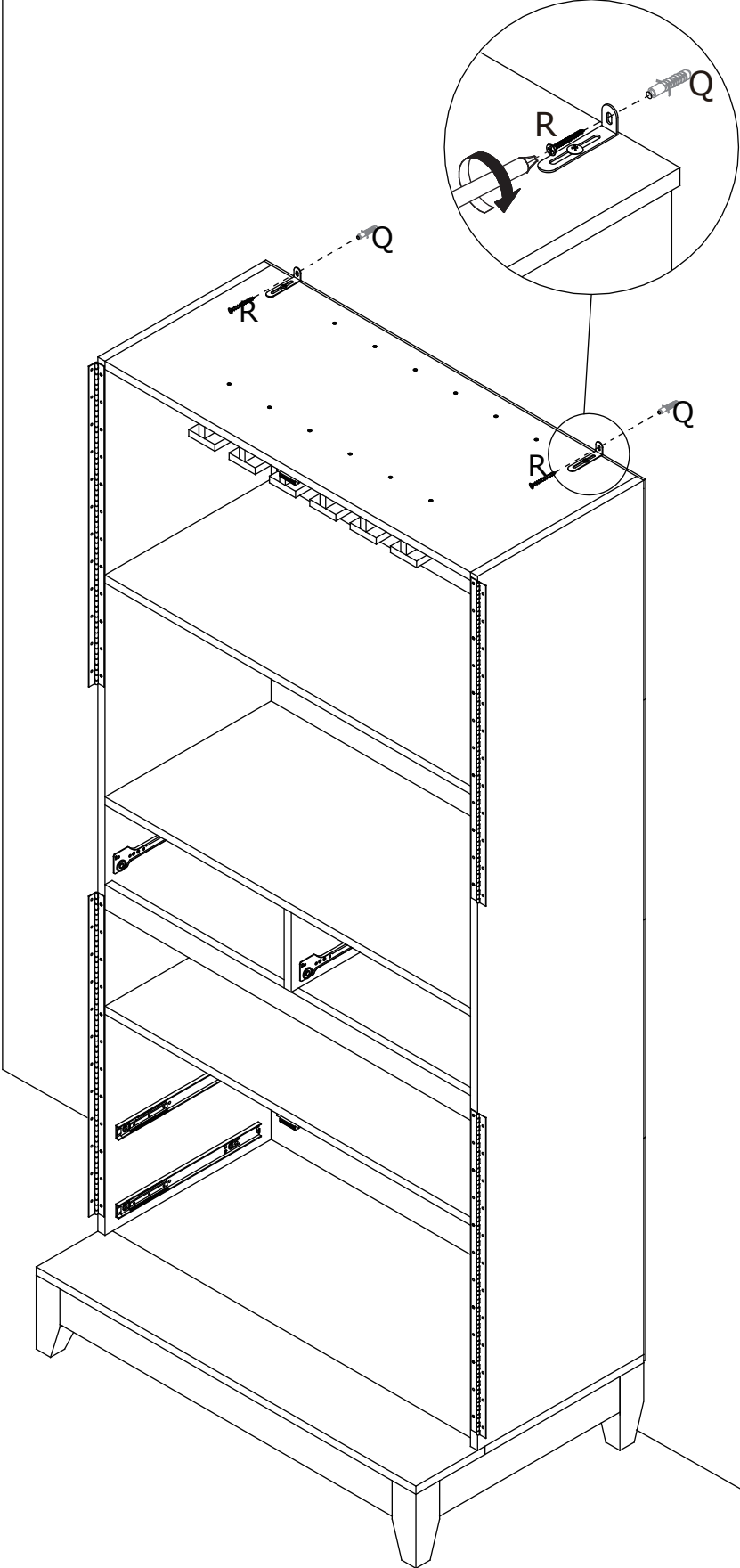
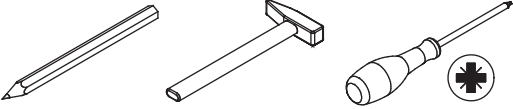
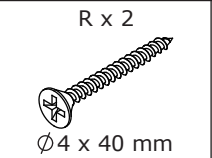
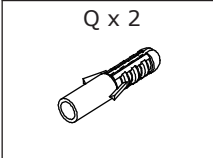


Fix hinge(P) to plate 7 and 8 using screw(G) as shown.

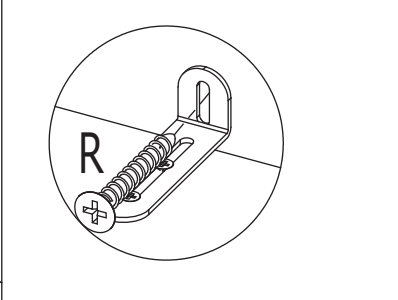
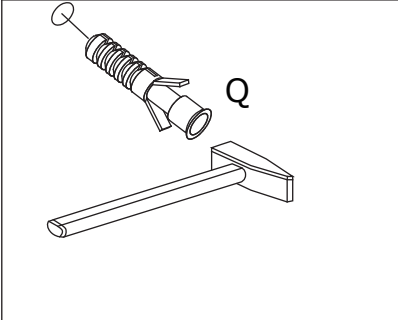
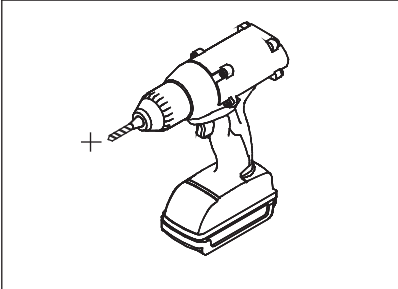
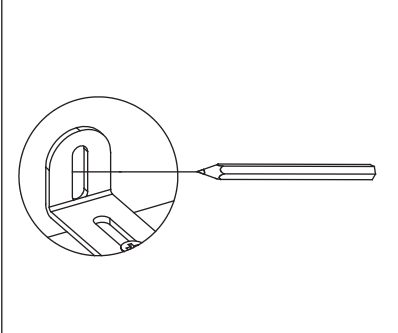
Attach the base part to plate 5 with wooden dowel(C), put cam lock(B) into holes in plate 22,26 and turn clockwise to tighten as shown.



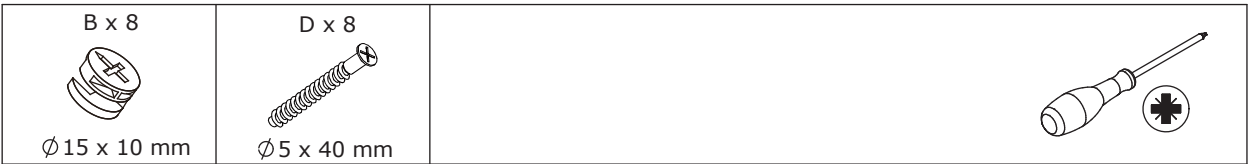
20



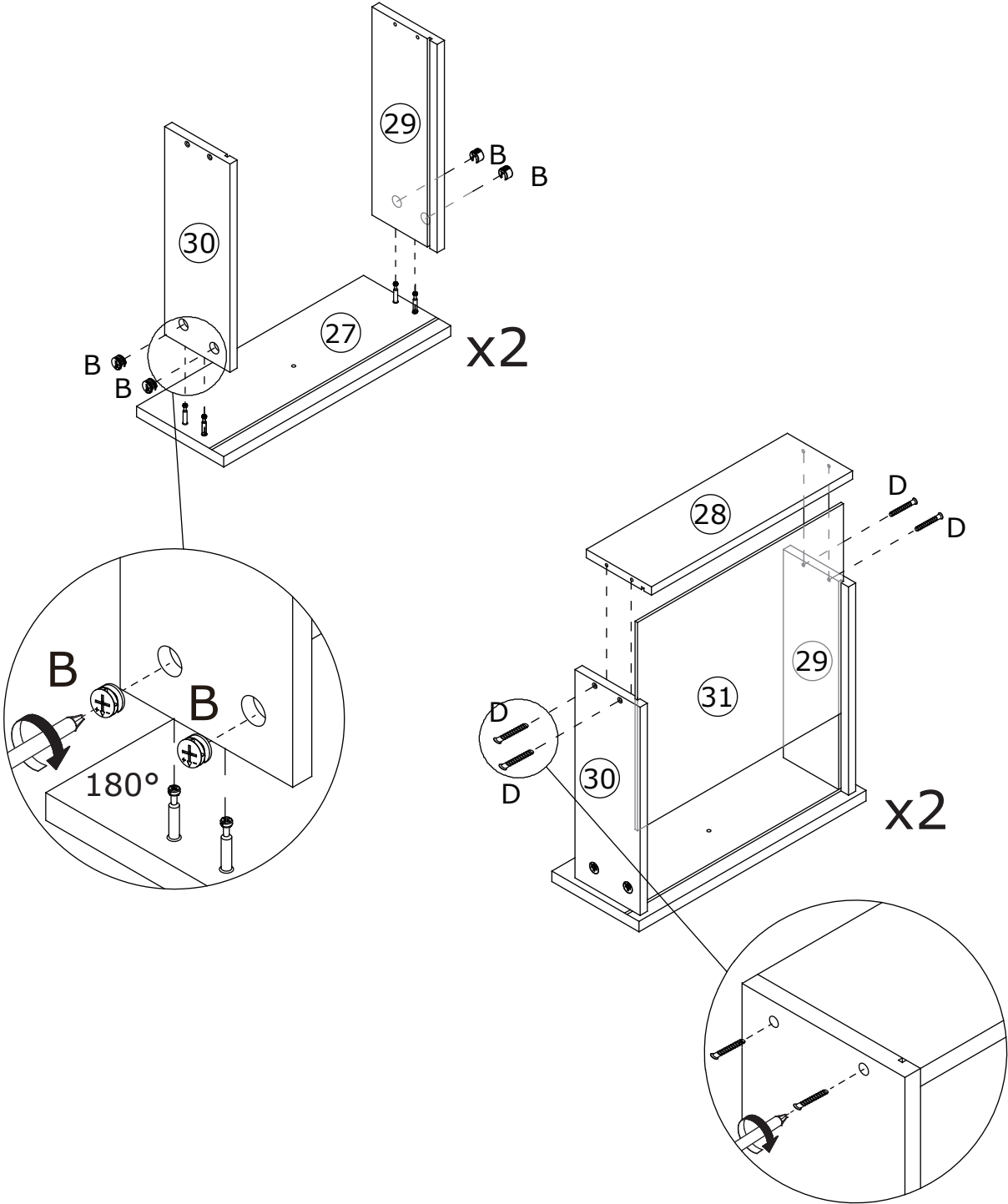
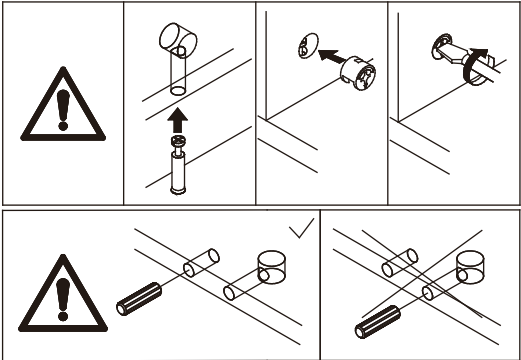
Drill holes on wall,
knock part(Q) into.
Fix the unit to part(Q)
by fixing part(R) using
screw as shown.



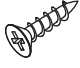


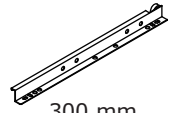

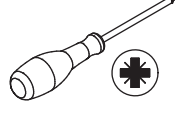
21



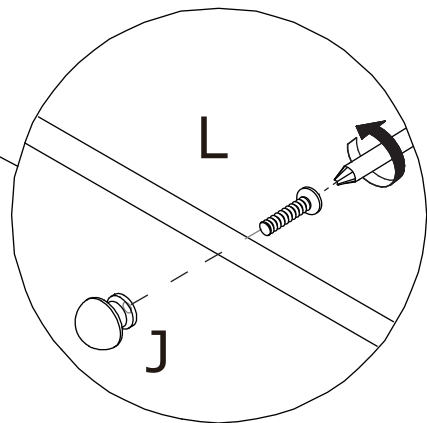
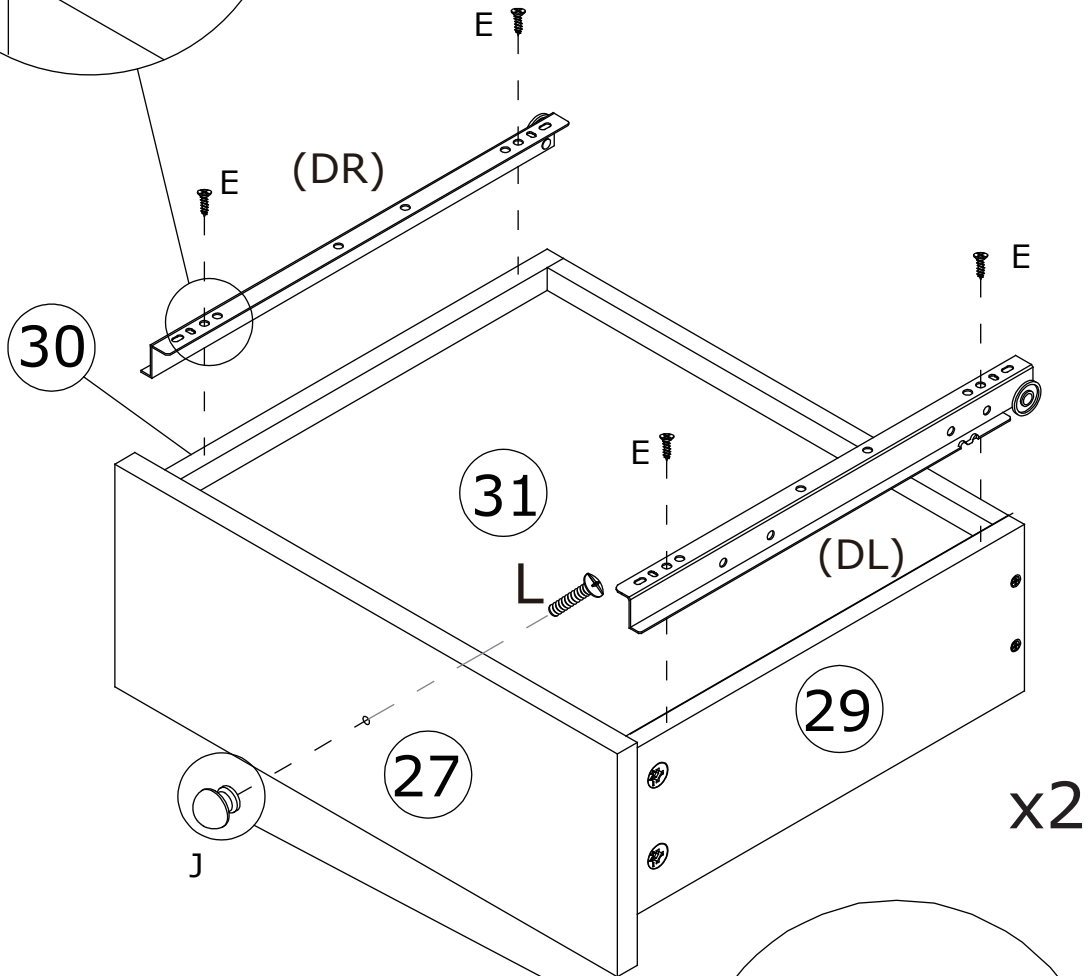
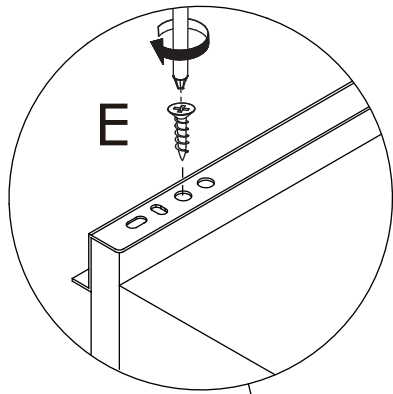
Attach plate 29 and 30 to plate 27
, put cam lock(B) into
holes in plate 29,30 and turn clockwise to
tighten as shown.
Slide plate 31 along grooves as shown.
Fix plate 28 with plate 29 and 30 using
screw(M) as shown.



22

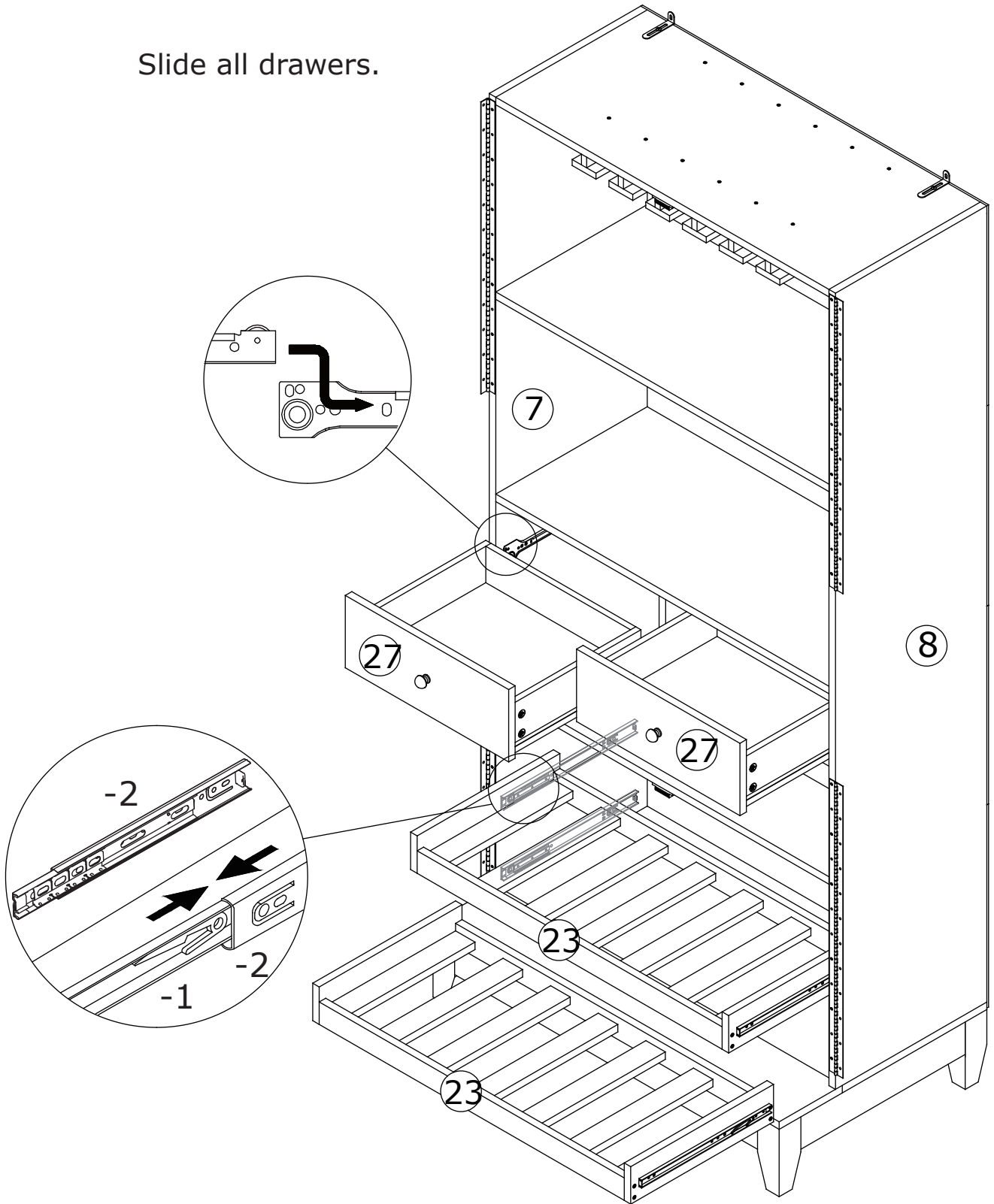
<p>E x 8</p>  <p>Ø3 x 12 mm</p>	<p>J x 2</p> 	<p>L x 2</p>  <p>Ø4 x 18 mm</p>	<p>(DL) x 2</p>  <p>300 mm</p>	<p>(DR) x 2</p>  <p>300 mm</p>	
--	--	--	--	---	---

Fix runner(DL) and (DR) to plate 29 and 30 respectively using screw(E) as shown.
Fix knob(J) to plate 27 using screw(L) as shown.



23

Slide all drawers.

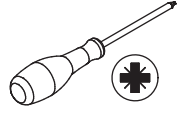


24

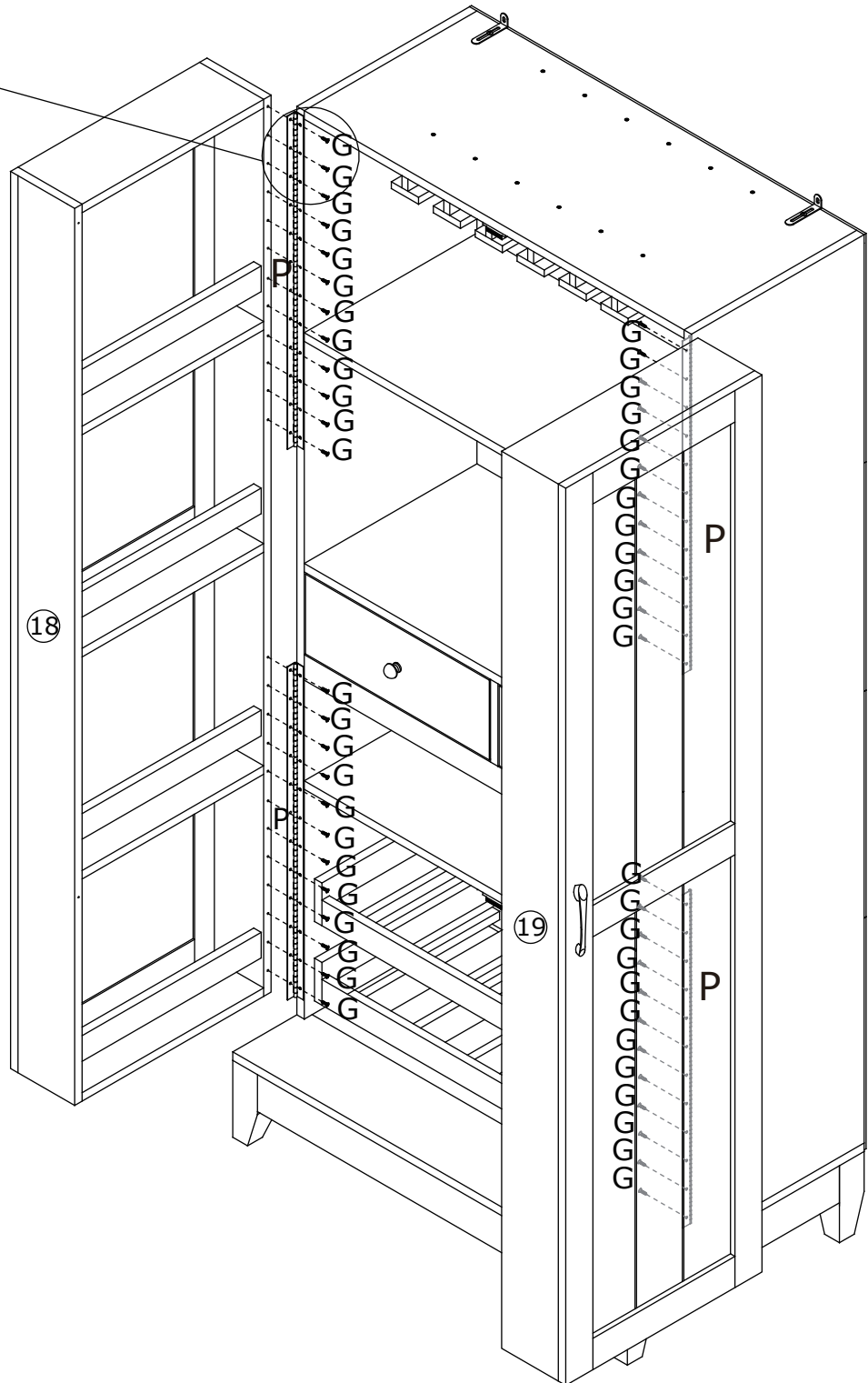
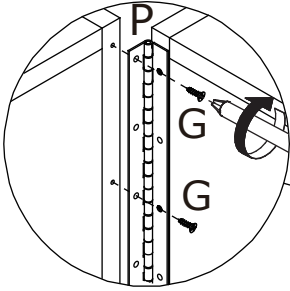
G x 48



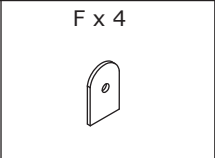
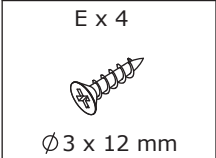
Ø3 x 14 mm



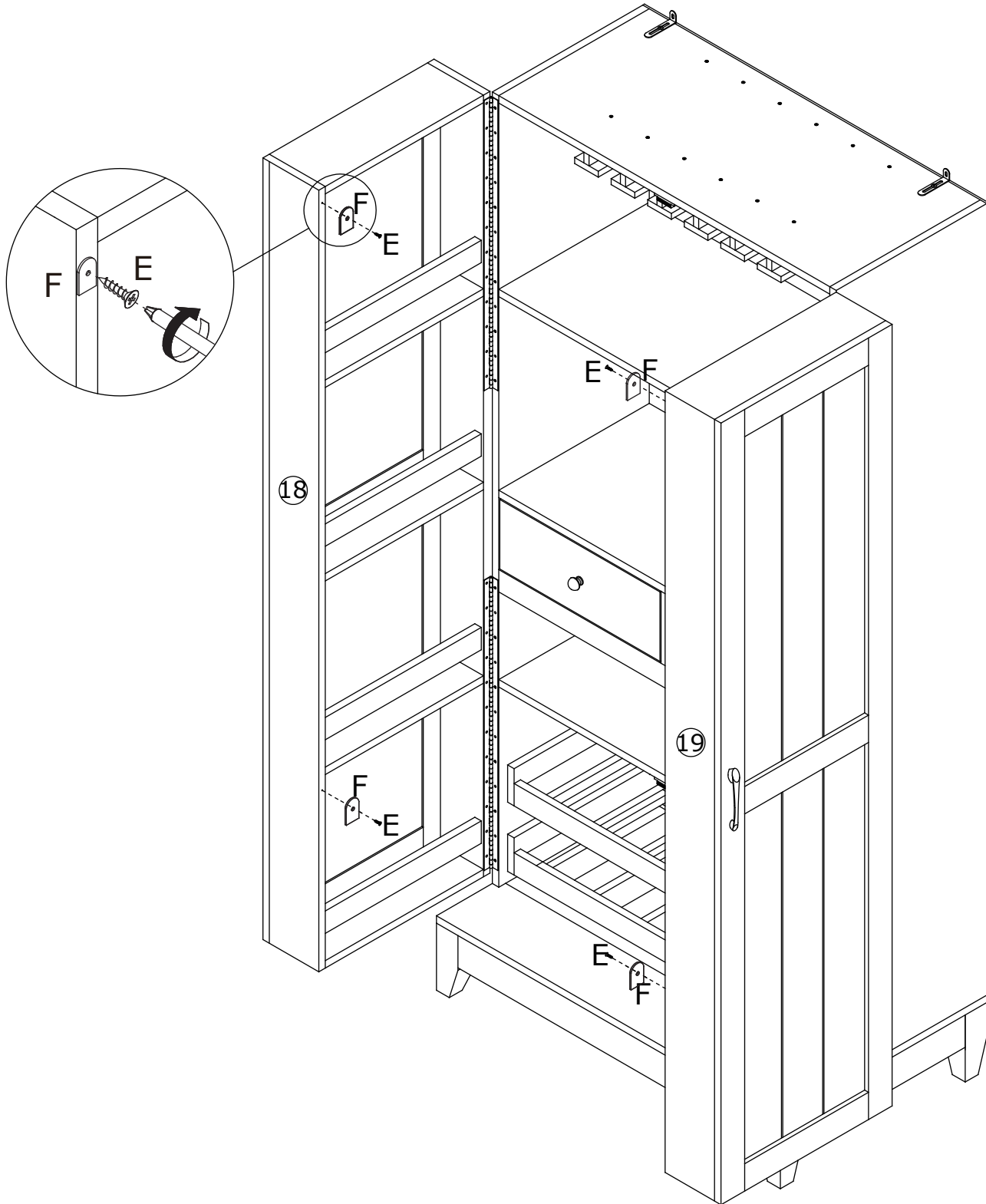
Attach the two doors to hinges using screw(G) as shown.



25



Fix part(F) to plate 18 and 19 using screw(E) as shown.



WARRANTY

WARRANTY CLAIMS

- There is a 30-day warranty for broken furniture or any other problems that do not work properly. The warranty will start from the date of purchase which must be verified by proof of purchase.
- Before making a claim, we may be able to answer your query, simply call us. Please leave your purchase order number, along with some details of the problem, if you want a replacement part. We will arrange within 48 hours. If there is out of stock, we will reply with a shipping date.
- The product must be used in accordance with the instructions provided. For health reasons.
- For other reasons, if the furniture needs to be returned, it must be cleaned and dried and operated within 30 days of receipt.

Type of Warranty Claim

- Failure to follow the furniture instructions will invalidate the warranty. Attention please.
- Does not include damage during installation, but includes damage during transportation.

Scope of responsibility

- Shall not bear any responsibility for misuse or user damage and / or loss of parts during the installation of furniture.
- After using, the damage and scratches of the furniture are not covered by the warranty.

The Warranty Relates to All Bought in The Us and Covers The Following Areas

- Sheet parts: 1 month from the date of purchase.
- Electrical parts: 1 month from the date of purchase.