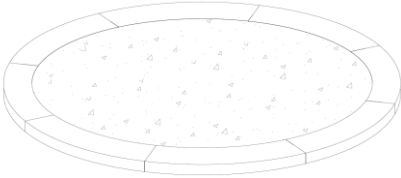
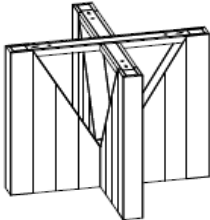






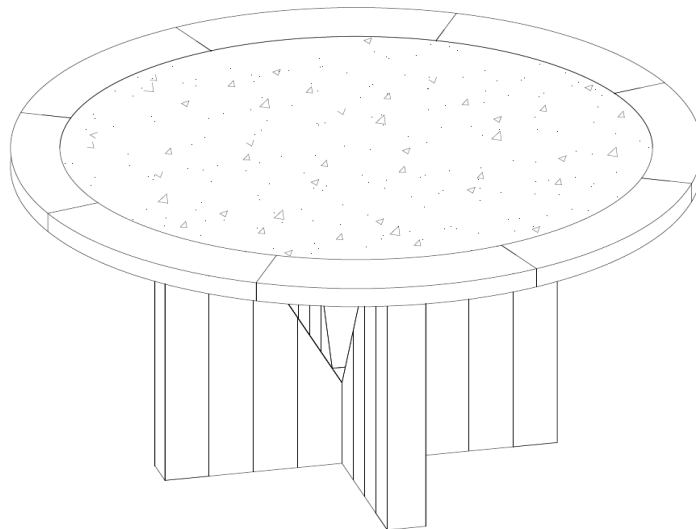
Assembly Instructions

Vincent 55" Round Dining Table

51031259

Parts and Tools

A	51031259-A		X 1	<p>Before beginning</p> <ol style="list-style-type: none"> 1) Carefully unpack and position the item on a clean, non-marring surface to assemble. 2) Read this Assembly Instructions from beginning to end before starting to assemble. 3) Take an inventory of the required parts to ensure all are available. 4) To prevent accidental choking hazards, keep all packing materials away from small children. 5) Only tighten hardware until ALL hardware are fully engaged on their locations. Overtighten bolts will damage the bolt threads. 6) Use only factory provided hardware to assemble. Unapproved hardware can damage product or jeopardize the structural integrity of the product. 7) The use of power tool to assemble is not recommended due to high risk of over-torque, which can damage the product.
B	51031259-B		X 1	
Z	51031259-Z	<p>Z1  Ø10x50MM</p> <p>Z2  Ø10x15x2MM</p> <p>Z3  Ø10x26x2.6MM</p> <p>Z4  OPEN WRENCH</p>	x 4 x 4 x 4 x 1	



ASSEMBLY REQUIRES
TWO PEOPLE



20 MINUTE
ASSEMBLY TIME



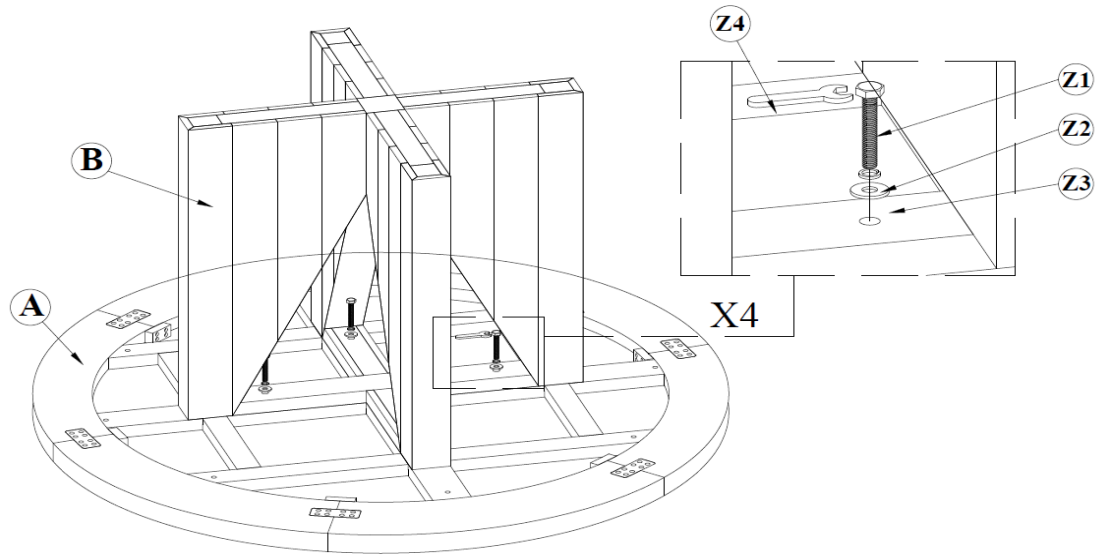
KEEP INSTRUCTIONS
FOR FUTURE USE

Assembly Instructions

Vincent 55" Round Dining Table

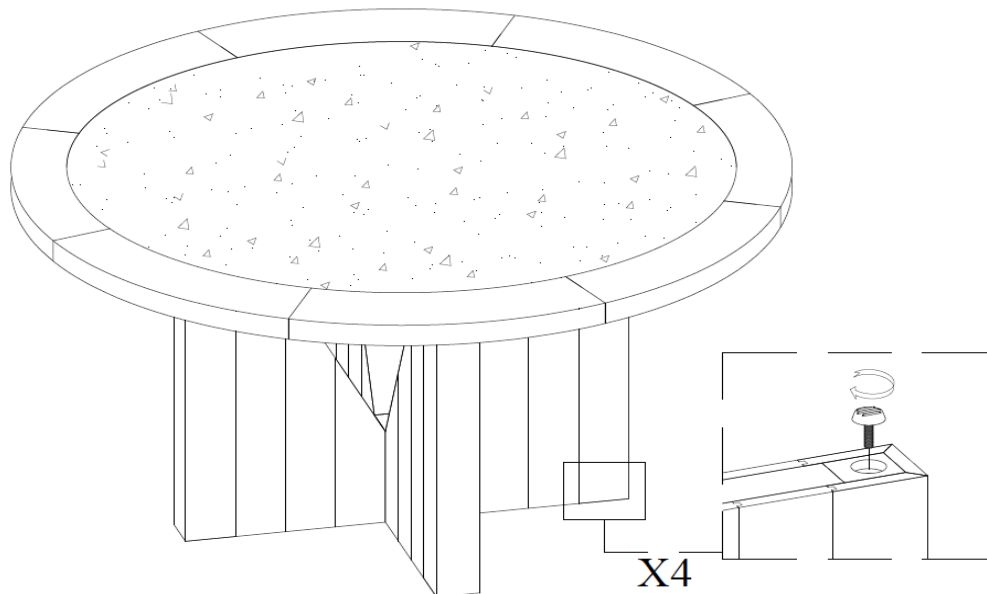
51031259

1



- Attach the Leg set into the Table Top
- Using Open Wrench (Z4) to tighten Bolts (Z1), Spring washers (Z2) and Washers (Z3).

2



- With two people carefully turn the Table over and stand on its Legs.
- If the Table doesn't sit level, please adjust the Adjustable Bolts under the Legs.
- Completed item.