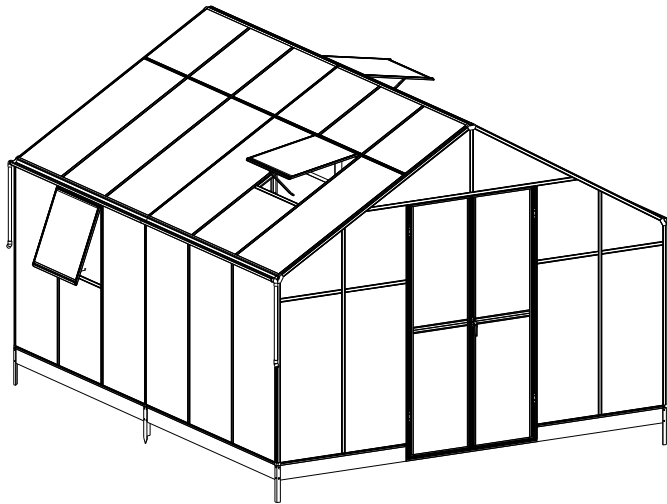


Assembly Instructions

MODEL:AMT606

PRODUCT SIZE(LxWxH): 12X14

PLEASE READ CAREFULLY BEFORE ASSEMBLY



Greenhouse 12x14 FT Assembly Instruction

SKU:

1007040037B(BOX 1/4)

1007040038B(BOX 1/5)

1007040039B(BOX 2/5)

1007040040B(BOX 2/4(PC)&3/5(HB))

1007040041B(BOX 3/4(PC)&4/5(HB))

1007040042B(BOX 4/4(PC)&5/5(HB))

Arrive in 4 or 5 separate boxes and may not be part of the same shipment; Please install the product after receiving all the packages.

Email Address:cs@howedirect.com

Tel: 901-347-2181

Service Time: 8 am - 5 pm (central time) Monday- Friday.

If no one picks up, please call several more times

2023/10/26

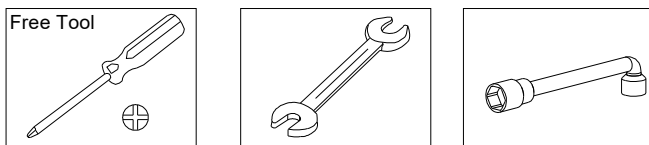
CONTENTS

1. Assembly Advice	Page 1
2. Product Features	Page 2
3. Parts List	Page 3 -7
4. Door Assembly	Page 8 - 11
5. Roof Vent Assembly	Page 12 - 14
7. Base Assembly	Page 15-17
8. Framework & Glazing Assembly	Page 18 - 36

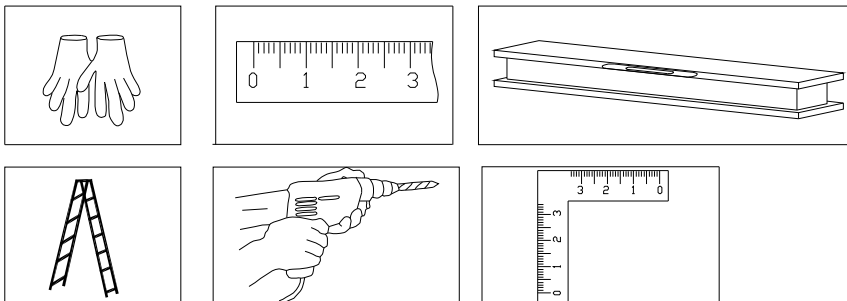
Assembly and Maintenance Advice

1. For safety purposes, we strongly recommend that this product is assembled by at least two people.
2. Some components have sharp metal edges. Please be careful when handling metal components. Please wear gloves, shoes and safety goggles during assembly.
3. Lay all of the components on a soft carpet or blanket to avoid any scratches or damages.
4. DO NOT climb or stand on the roof. Heavy articles should not be leaned against the greenhouse.
5. Keep the roof and gutter clear of snow, dirt & leaves. Allowing snow to build up on the roof may damage the product.
6. Unlike steel, if the paint finish is scratched this will not harm the aluminium underneath.
7. When your product needs cleaning, use a mild detergent solution and rinse with cold clean water. Do not use acetone, abrasive cleaners or strong detergents to clean the panels.

Tools Provided:



Tools Required when Assembly (Not Provided)



Assembly at least by two Persons

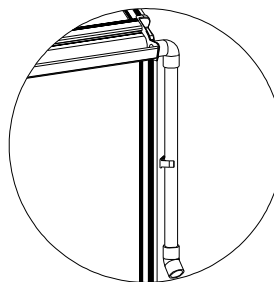


Important:

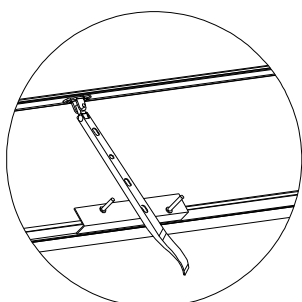
Rubber is not provided if you choose polycarbonate sheet as glazing panel.

Functions and Features:

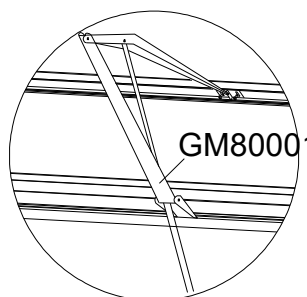
1. The strong two part eaves beam includes an integral gutter. Downpipes are also included as standard so you can collect rainwater.



2. Manual window handles are included as standard with the roof vents. If required, automatic roof vent openers are available as an inexpensive optional extra.



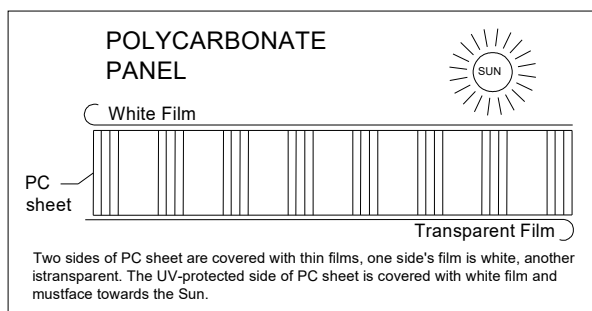
Manual Opener



Automatic Opener

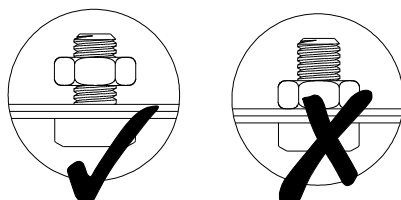
GM80001 is sold separately

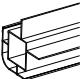
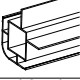


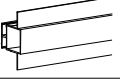
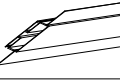
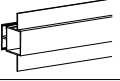
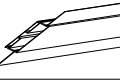
3. Remove approximately 2 inches of film from all sheet edges before installing and remove all film immediately after the construction is completed. Please ensure that the side with the white film faces outwards.

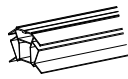
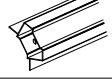
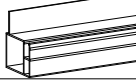


4. This quality greenhouse features self-tapping screws to provide strong joints. As the name suggests, the screws tap their own thread. Driving in self-tapping screws requires more force than conventional screws. A powered screwdriver is therefore recommended.





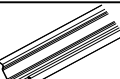
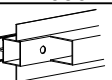
5. Nuts not to be tightened before the end of assembly! Unless otherwise stated, do not tighten the bolts/nuts/screws until the shed is finally erected!




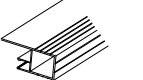
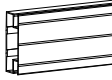
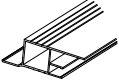
	PART	NO	QTY
1		L01B	2
	1971mm		
2		L01C	2
	1971mm		
3		L02B	2
			2
			2
			2
8			
4		L02G	1
	1925mm		
5		L03A	1
	2045mm		
5		L13A	1
	2046mm		
6		L03B	1
	2045mm		
6		L13A	1
	2046mm		

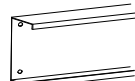
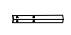

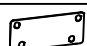
	PART	NO	QTY
6		L06C	2
	2032mm		
7		L07C	4
	2032mm		
8		L08C	4
	2032mm		

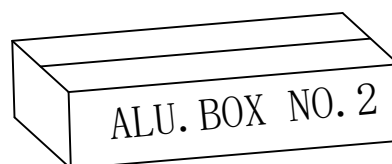


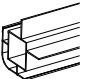




	PART	NO	QTY
1		L02C	1
		L02D	1
2		L02E	1
		L02F	1
3		L03C	2
4		L05C	8
5		L09C	4
6		L10B	1
			1
2			
	1971mm		

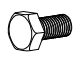
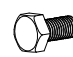

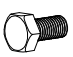
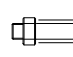
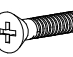






door





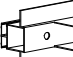


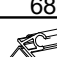



	PART	NO	QTY
7		L15A	4
8		L16A	2
9		L17	2
10		L18A	1
		L18B	1
	2029mm		

	PART	NO	QTY
1		A1	2
		B1	2
	A1:1174 B1:1771 C1:2074	C1	4
		D306	4
		D307	3
		D330	2

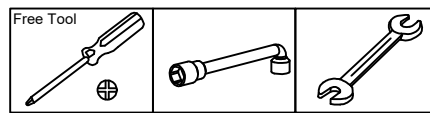



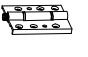






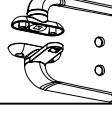





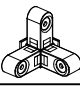
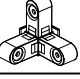






	PART	NO	QTY
1	 1475mm	L01A	2
			2
2	 1475mm	L02A	2
			2
			2
			2
3	 530mm	L02H	2
4	 557mm	L04A	5
			5
5	 657mm	L04B	4
			4
			4
			2

PART	NO	QTY
	S01	36
	M6X12	
	S20	212
	M5X10	
	S26	120
	M5X12	
	S28	8
	M4X10	
	S69	16
	M6X60	
	S76	2
	M4X32	
	M01	36
	M6	
	M02	8
	M4	
	M08	220
	M5	
	Z02	34
	Ø4X16D	
	Z08	6
	M4.2X16	
	Z17	8
	M4.8X16	

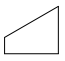
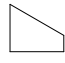
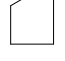
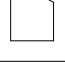



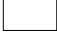

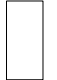

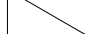


	PART	NO	QTY
6	 1143mm	L05A	5
7	 1143mm	L08A	2
8	 A:1143 F:1192	L08A	1
		L08F	1
9	 1143mm	L08D	1
		L08E	1
10	 1475mm	L10A	1
		L10A	1
11	 650mm	L25	4
12	 680mm	L11A	2
		L12A	2
13	 680mm	L11B	2
		L12A	2
14	 648mm	L19	8
15	 680mm	L20	4
16	 680mm	L21	4

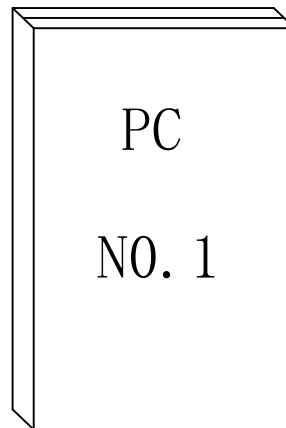
Tools Provided:







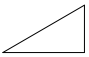
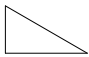
	PART	NO	QTY
		A03	4
		A51	4
		A79	4
		D05	25
		D25	2
		D26	1
		D47	1
		D114	16
		H152	1
		D329	6
		D341	4
		J93	4
		J94	4
		J166	4
		A95L	2
		J168L	
		A95R	2
		J168R	
		A96	4
		J169	
		A97	6
		J170	
		A98	3
		J171	
		J172R	2
		J172L	2
		J173	2

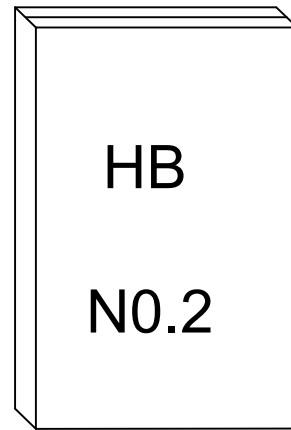
PC NO. 1

PART	NO	QTY
 507X578mm	Y1	2
 507X578mm	Y2	2
 608X578mm	Y3	2
 608X578mm	Y4	2
 1328X578mm	Y5	10
 1500X678mm	Y6	10
 1328X678mm	Y7	10
 663X678mm	Y9	14
 615X678mm	Y10	4
 998X506mm	Y11	4
 564X976mm	Y13	2
 564X976mm	Y14	2
 608X578mm	Y15	2
 798X678mm	Y16	2

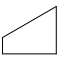
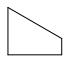
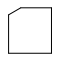
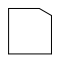
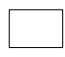

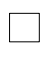



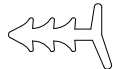
HB NO. 2

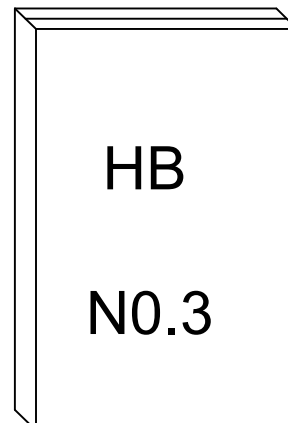
PART	NO	QTY
 1328X578mm	Y5	10
 1500X678mm	Y6	10
 1328X678mm	Y7	10
 998X506mm	Y11	4
 564X976mm	Y13	2
 564X976mm	Y14	2



HB NO. 3

PART	NO	QTY
 507X578mm	Y1	2
 507X578mm	Y2	2
 608X578mm	Y3	2
 608X578mm	Y4	2
 663X678mm	Y9	14
 615X678mm	Y10	4
 608X578mm	Y15	2
 798X678mm	Y16	2

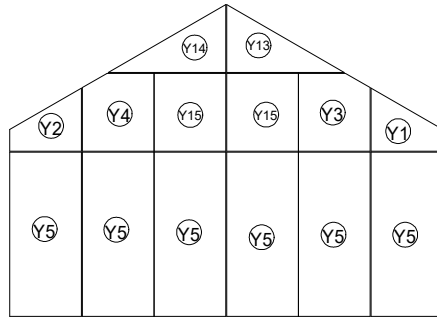
PART	NO	QTY
	J190	132M



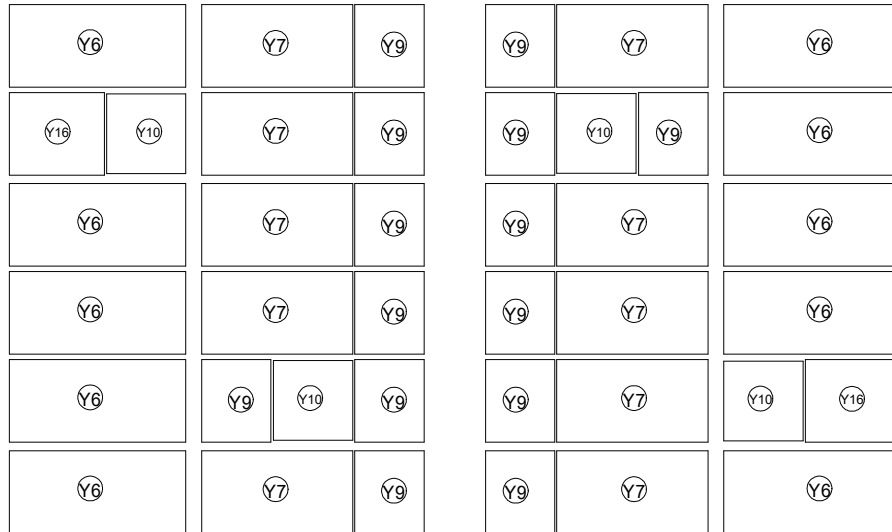
PART	NO	QTY
	Y1	2
	Y2	2
	Y3	2
	Y4	2
	Y5	10
	Y6	10
	Y7	10
	Y9	14
	Y10	4
	Y11	4
	Y13	2
	Y14	2
	Y15	2
	Y16	2

Panel Exploded View

Back Wall

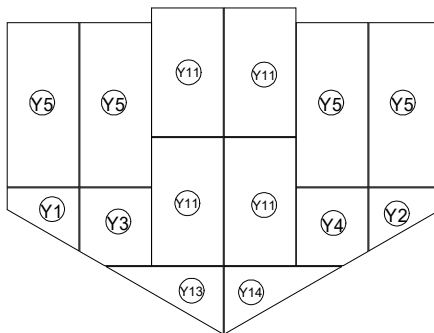


Side Wall



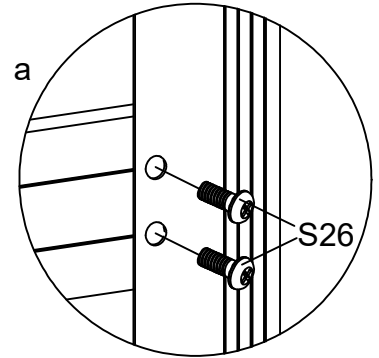
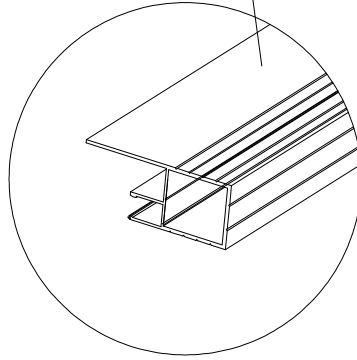
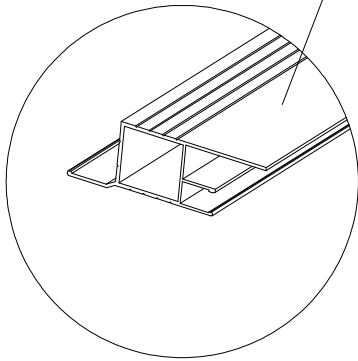
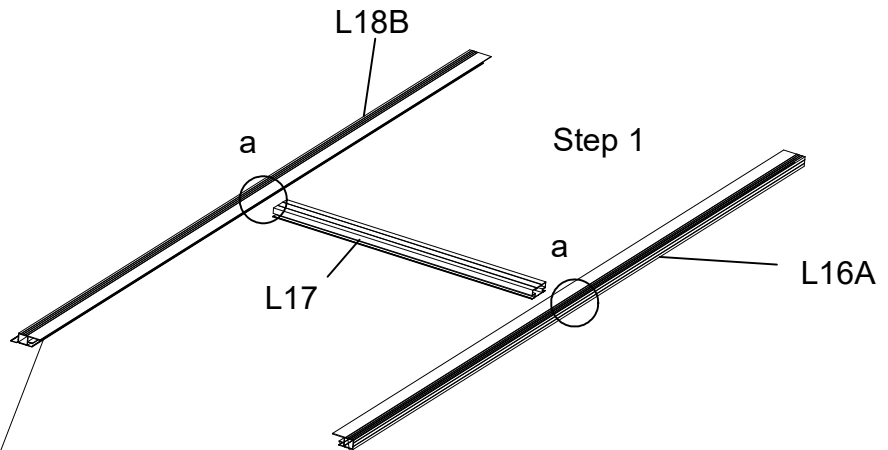
Side Wall

Front Wall



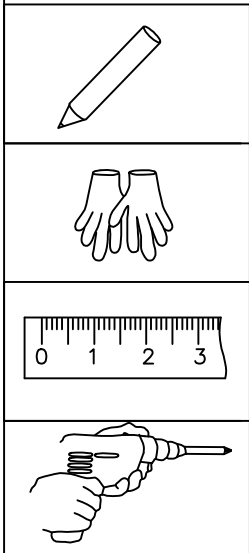
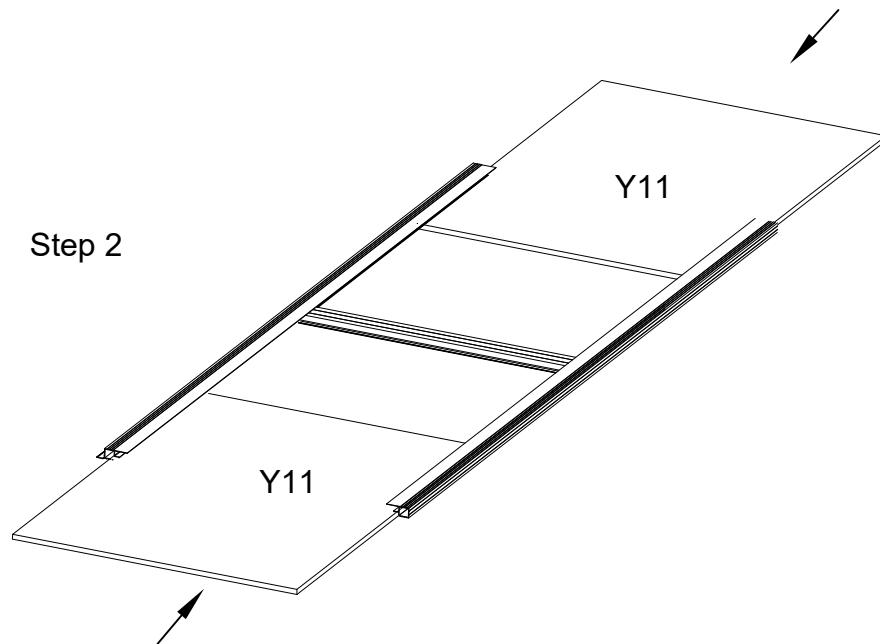
PART	NO	QTY
	L15A	2
	L16A	1
	L17	1
	L18B	1
	S26 M5X12	8
	M08	4
	M5	
	Y11	2

Left Door

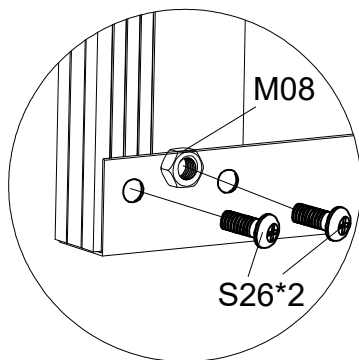
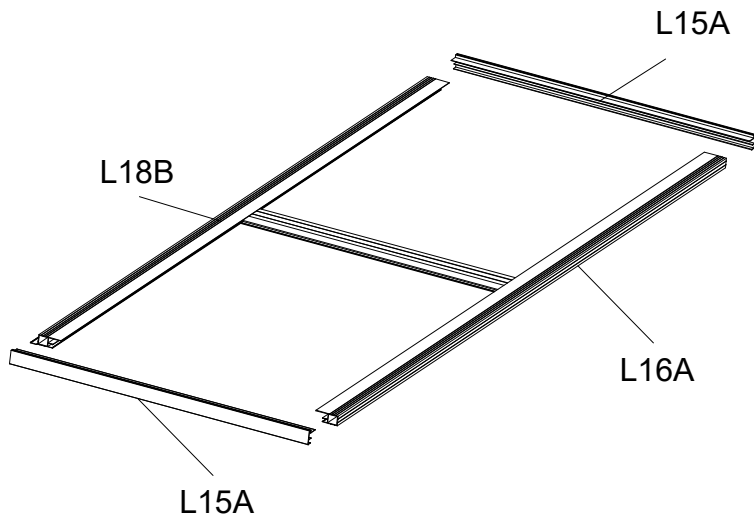



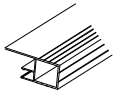

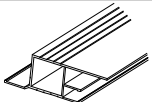
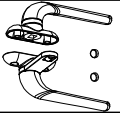





! Attention: Check the direction of the accessories

Step 2

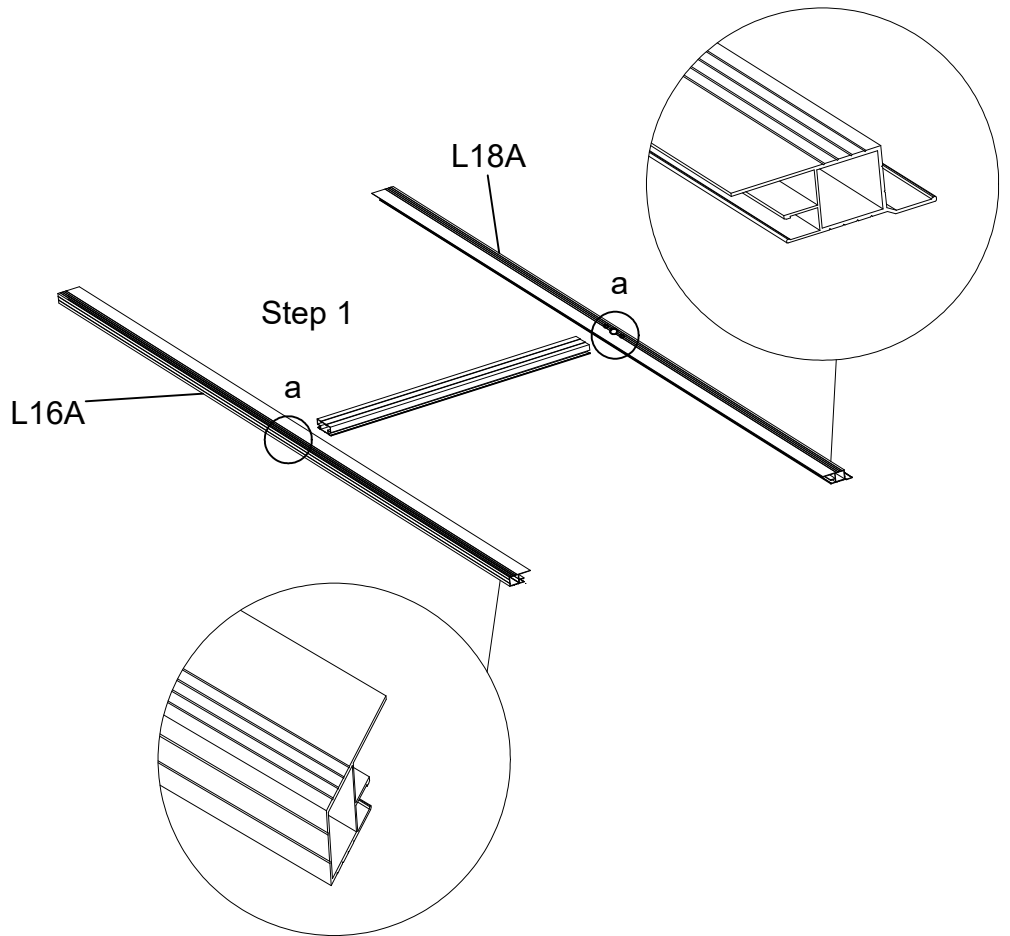


! Attention: Remove the protective films from both sides of each polycarbonate panel, before inserting into aluminum channels. Ensure the milky white film faces towards the Sun.

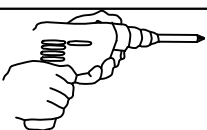
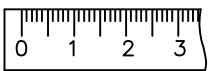
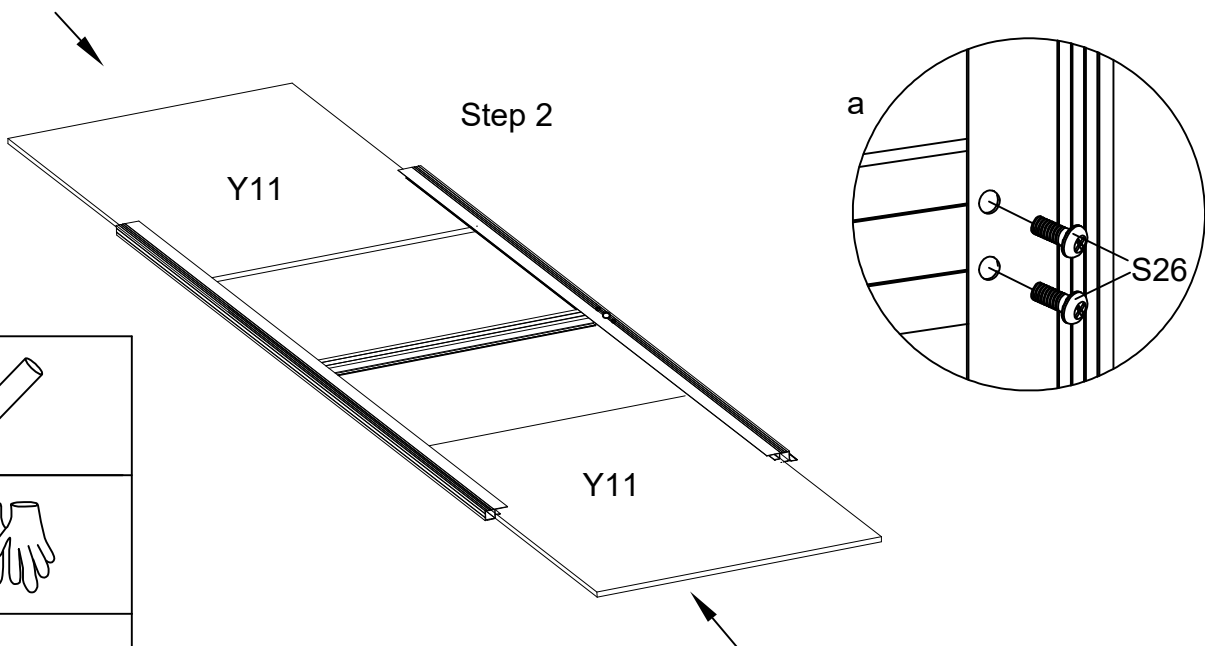


PART	NO	QTY
	L15A	2
	L16A	1
	L17	1
	L18A	1
	H152	1
	D47	1
	S26 M5X12	8
	S76 M4X32	2
	M08 M5	4
	Y11	2

Right Door

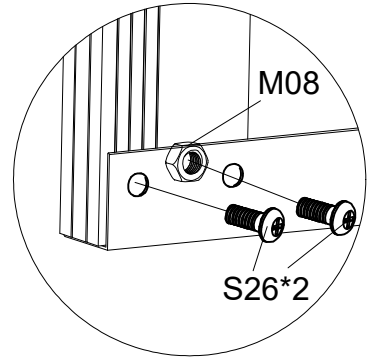
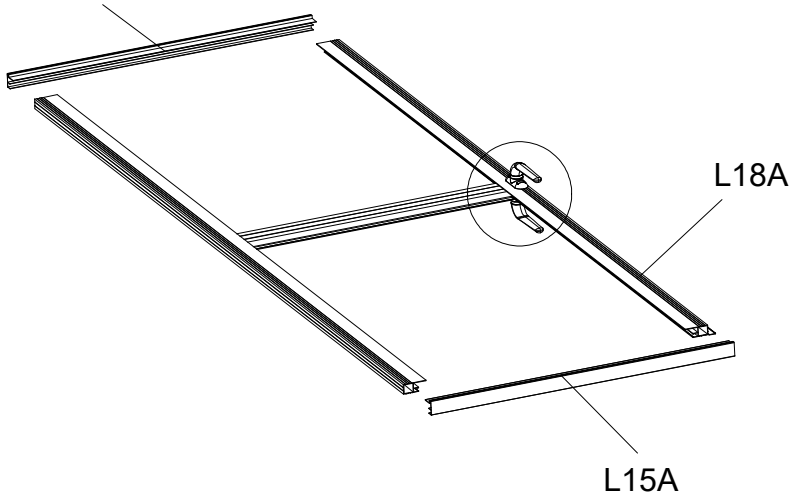


! Attention: Check the direction of the accessories



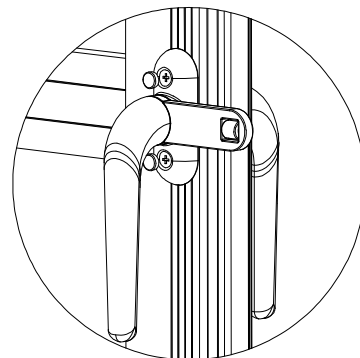
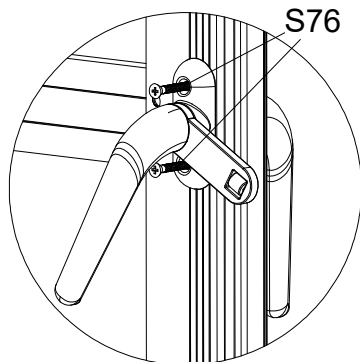
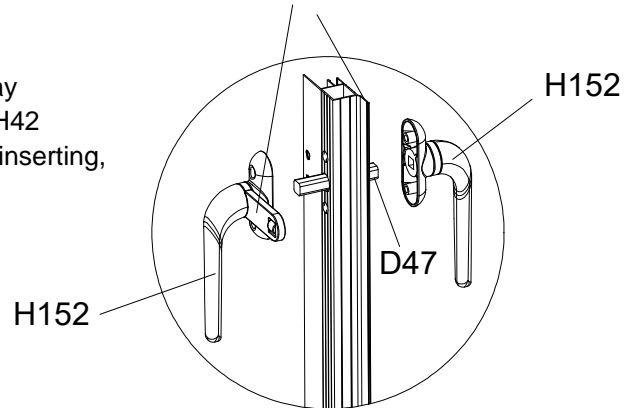
! Attention: Remove the protective films from both sides of each polycarbonate panel, before inserting into aluminum channels. Ensure the milky white film faces towards the Sun.

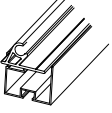
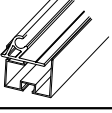
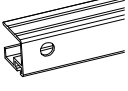

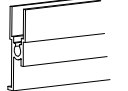


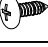


L15A



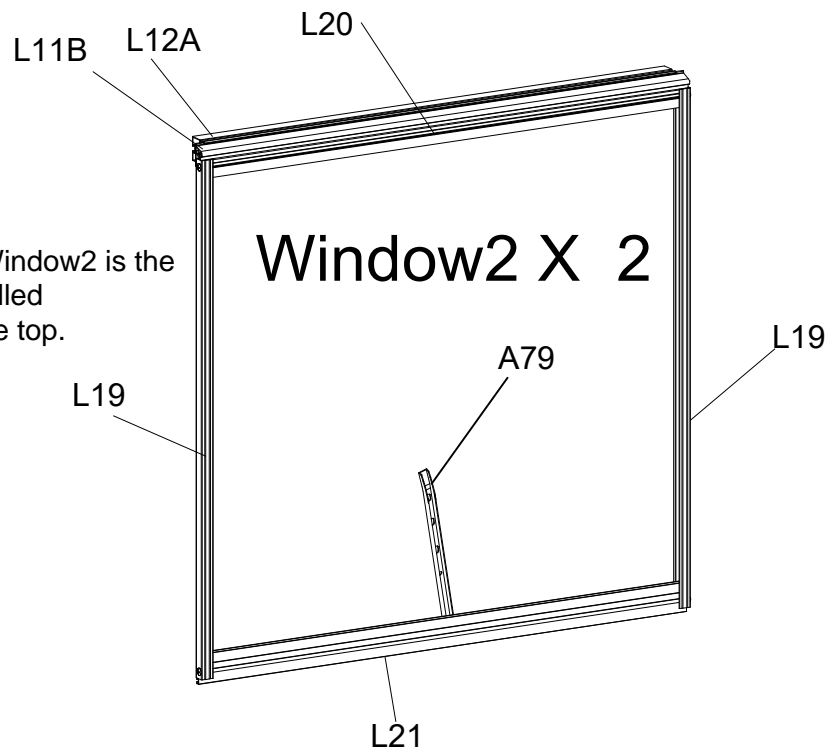
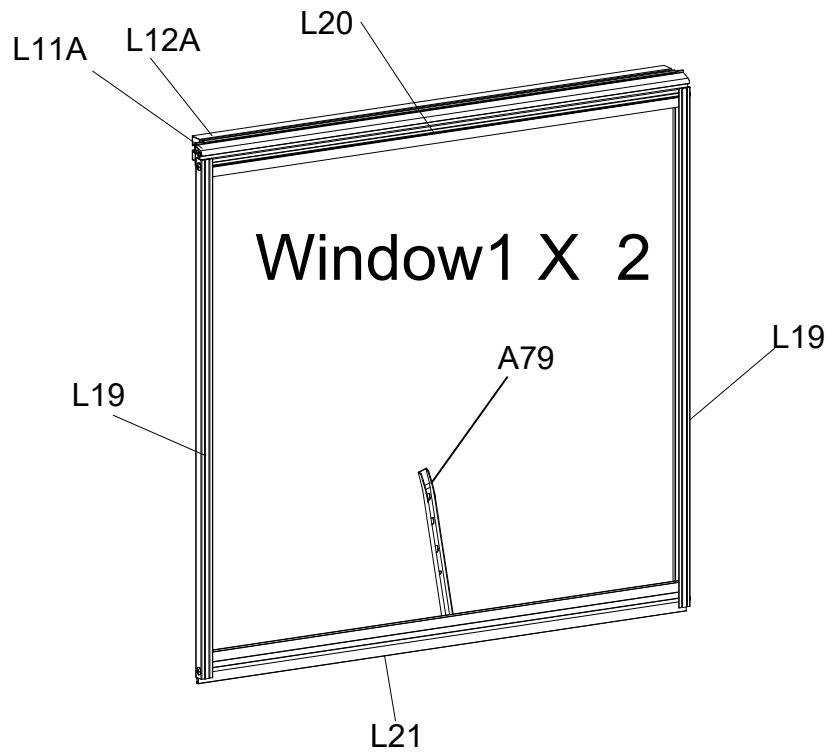
Pay attention to the intallation direction

Install H152 after installing the door, when installing, pay attention to the H152 long end toward the door edge, H42 square hole aligned with the square column D47 while inserting, placed in the right position and then fixed with S76 , and finally installed on the decorative cover

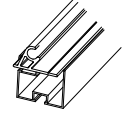
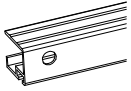

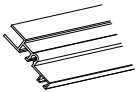





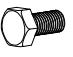

PART	NO.	QTY.
	L11A	2
	L12A	2
	L11B	2
	L12A	2
	L19	8
	L20	4
	L21	4
	Y10	4
	A79	4
	Z02 Ø4X16D	24
	S28 M4X10	8
	M02 M4	8

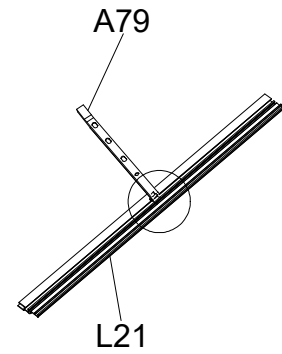
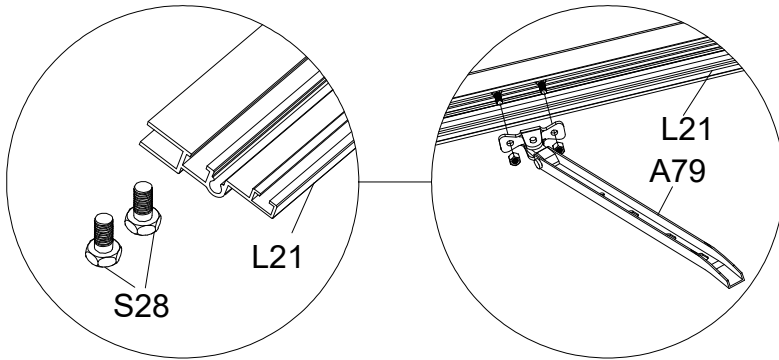
Exploded View



The difference between Window1 and Window2 is the installation position of L11, L11B is installed around the walls, L11A is installed on the top.

PART	NO.	QTY.
	L11A	1
	L12A	1
	L19	2
	L20	1
	L21	1

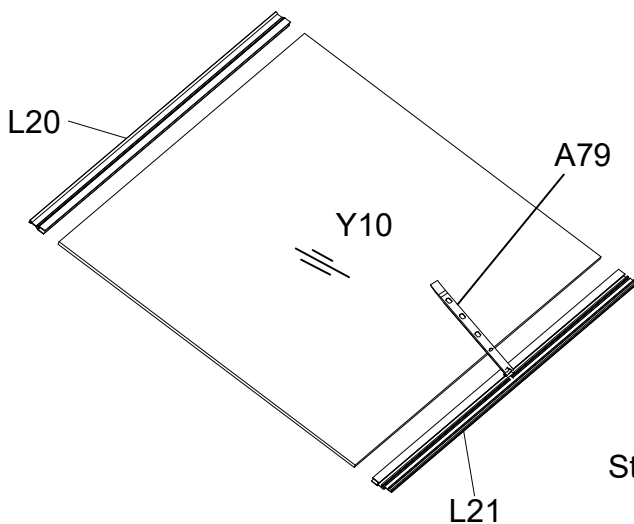
Part	NO.	QTY.
	Y10	1
	A79	1
	Z02	6
	Ø4X16D	
	S28	2
	M4X10	
	M02	2
	M4	



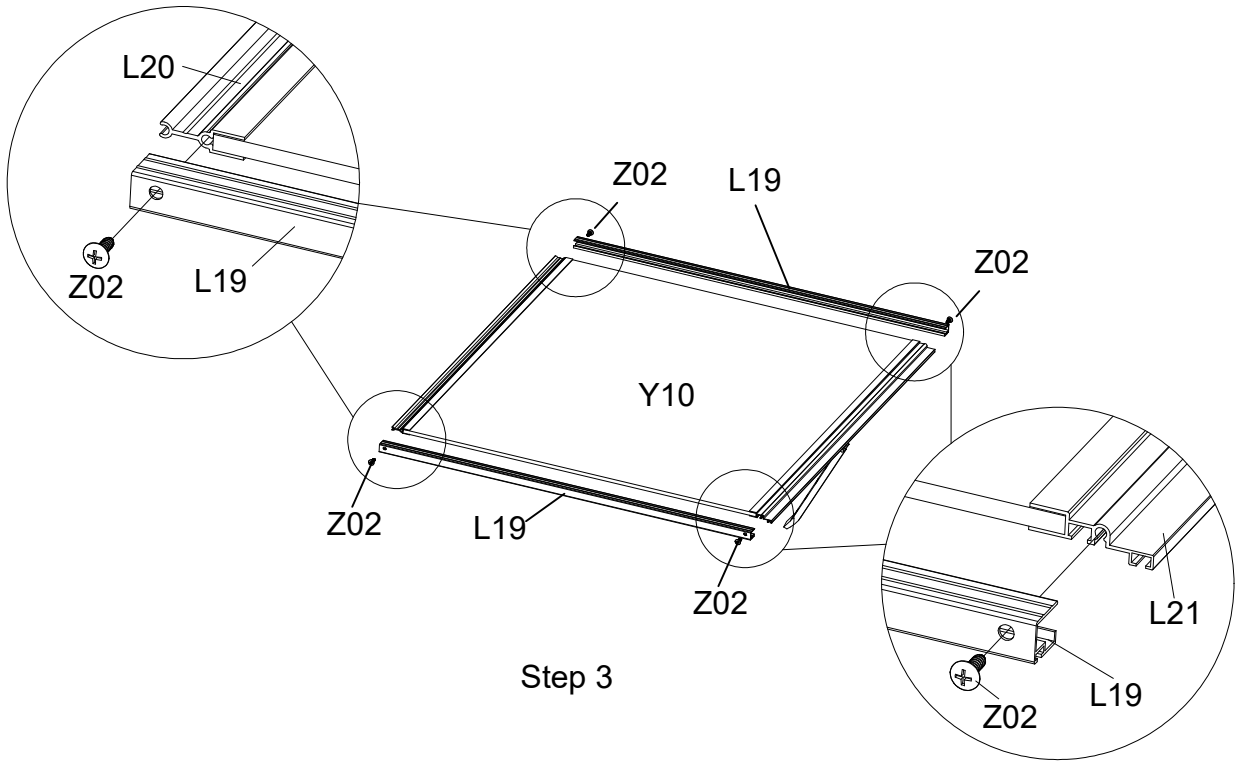
Step 1



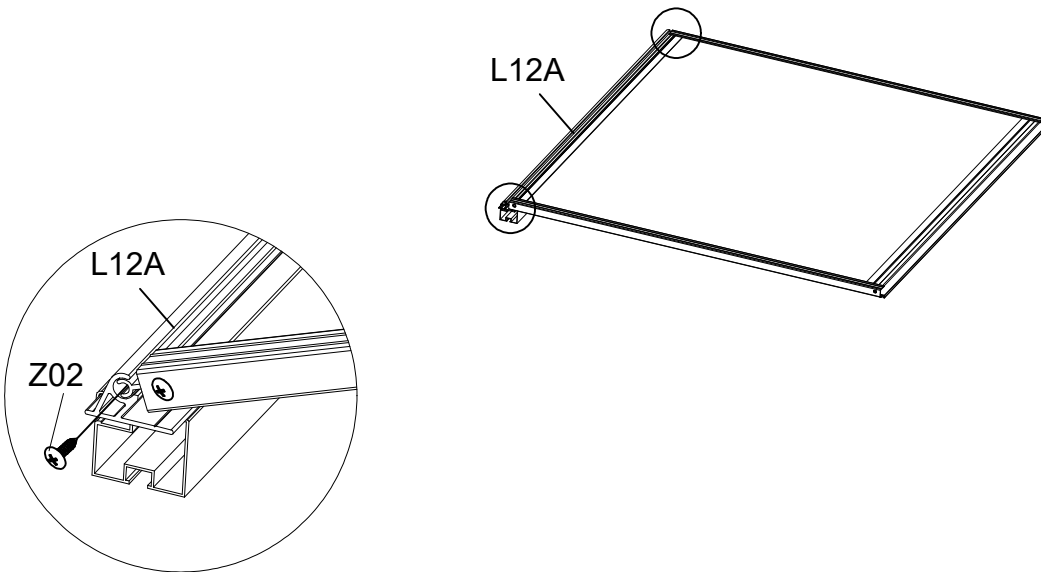
! Attention: Remove the protective films from both sides of each polycarbonate panel, before inserting into aluminum channels. Ensure the milky white film faces towards the Sun.



Step 2



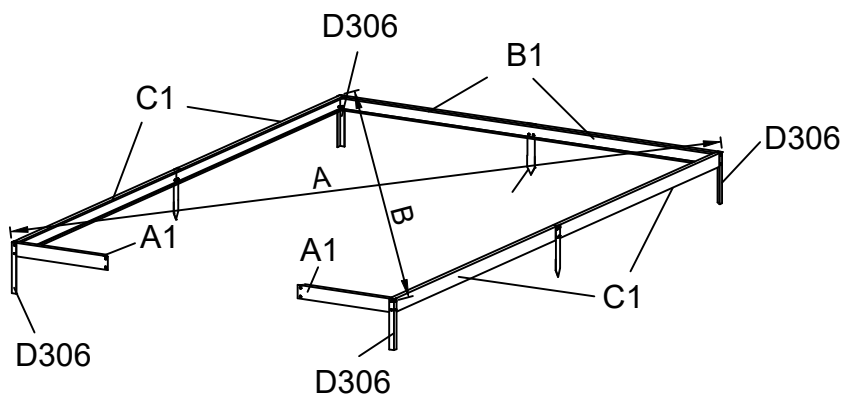
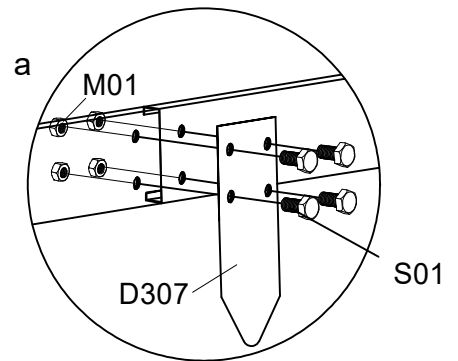
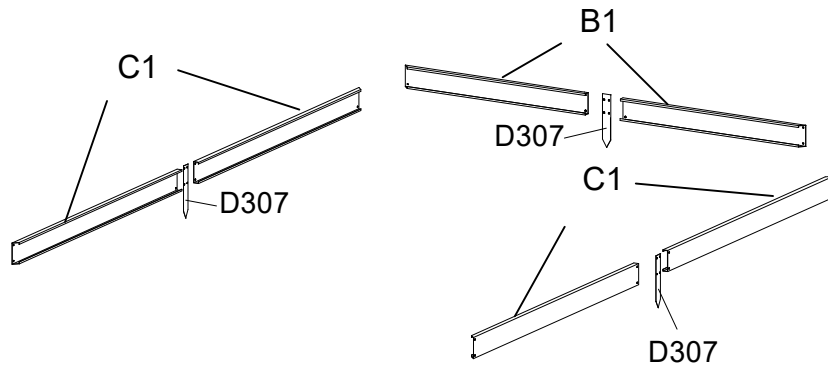
Step 3



Four windows are standard

PART	NO	QTY
	A1	2
	B1	2
	C1	4
	D306	4
	D307	3
	S01 M6X12	28
	M01 M6	28

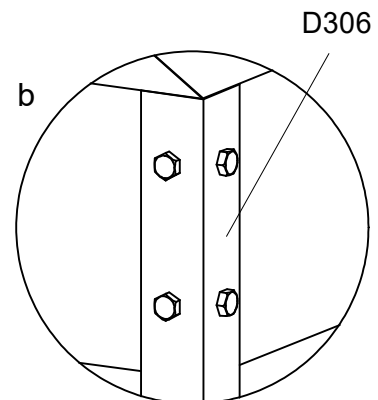
Base Assembly



Attention! D306 and D307 must be inserted into the soil or installed in reverse!

$$\textcircled{A} = \textcircled{B}$$

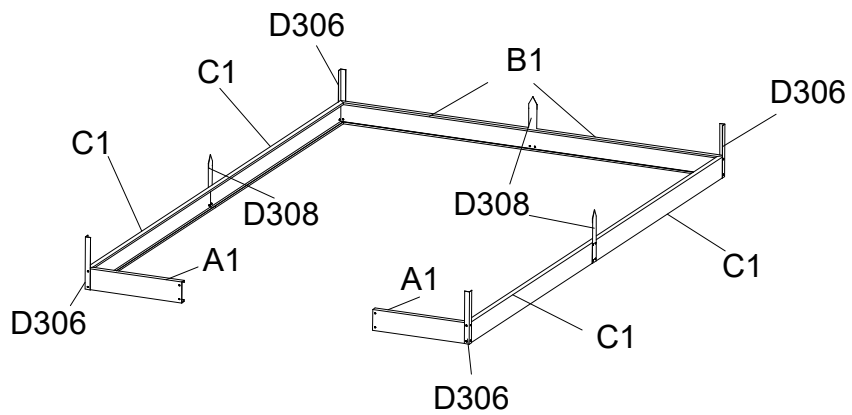
Fix the base before assembly the greenhouse. This is the way to fix the base.


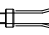


Base Assembly

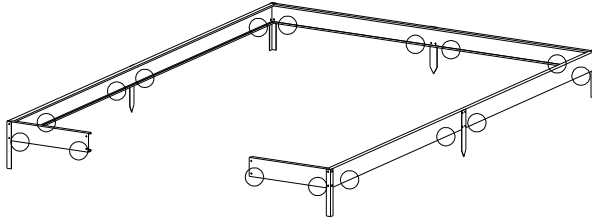


! Attention: Turn over the steel plinths D306 & D308 to complete the base installation as shown below, when the greenhouse is NOT inserted and secured into the soft soil.

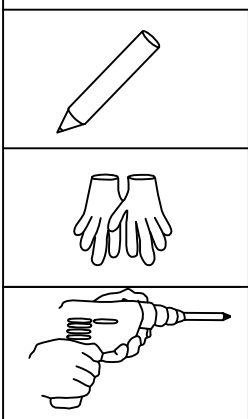
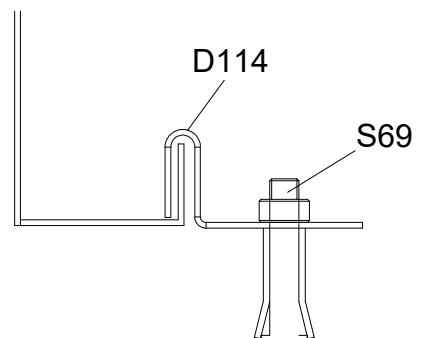
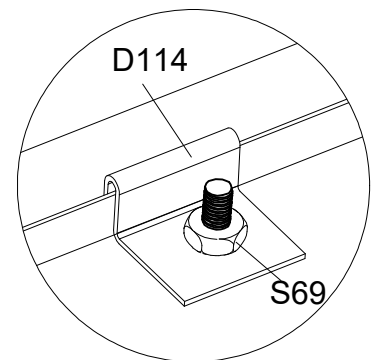
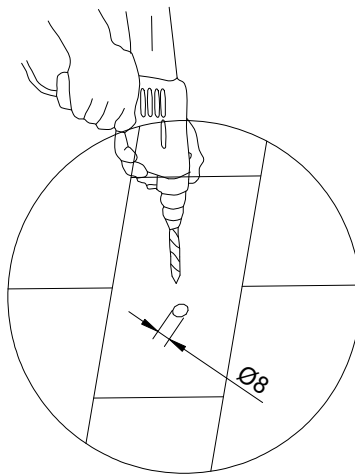
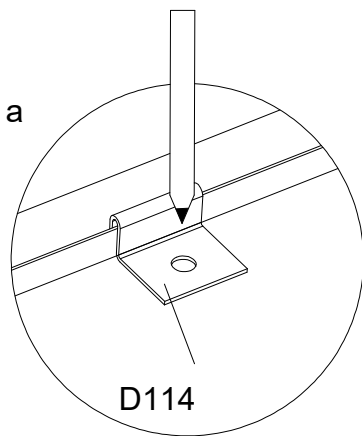
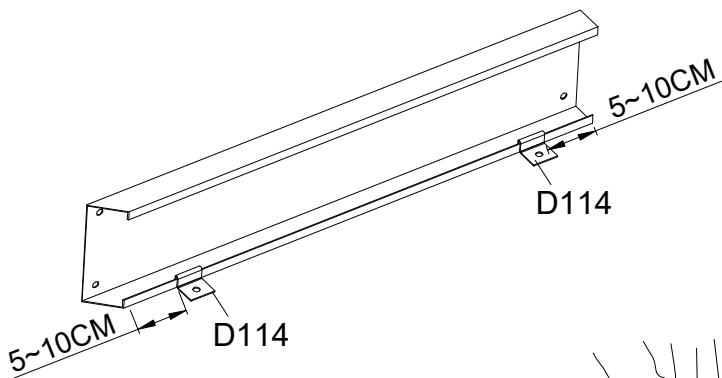


PART	NO	QTY
	D114	16
	S69 M6X60	16

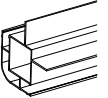
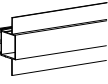

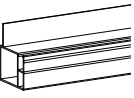


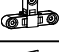



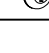
Base Assembly

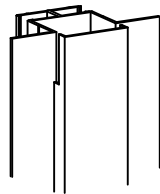
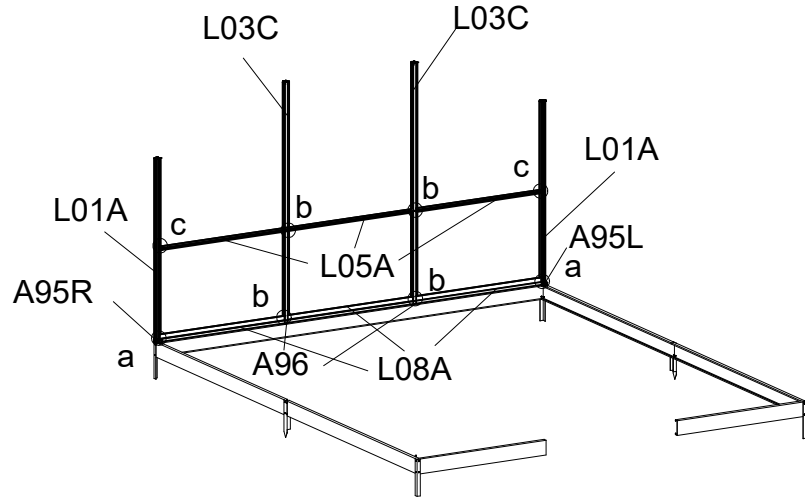


1. Fix the base anchor clip D114 onto each base section with a distance of 5~10CM from each end.
2. Mark the middle of the D114 hole to drill the $\varnothing 8$ hole, then use S69 to fix the D114 to the ground

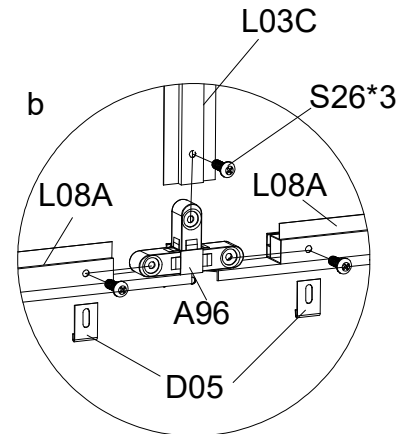
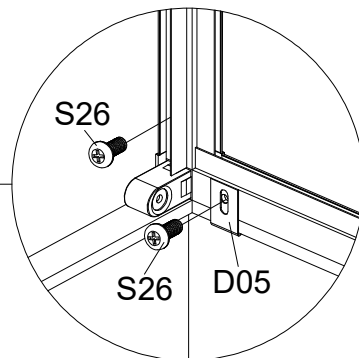
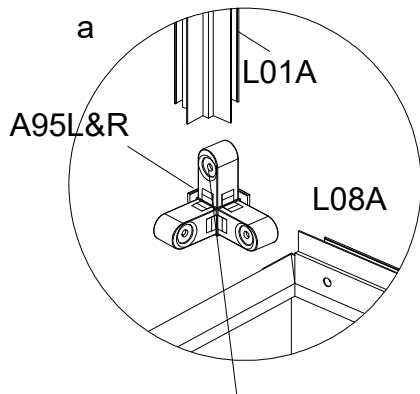


Wall Assembly

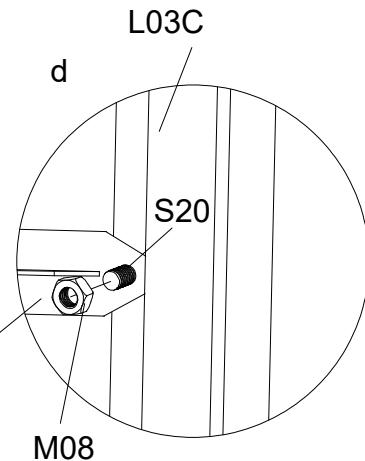
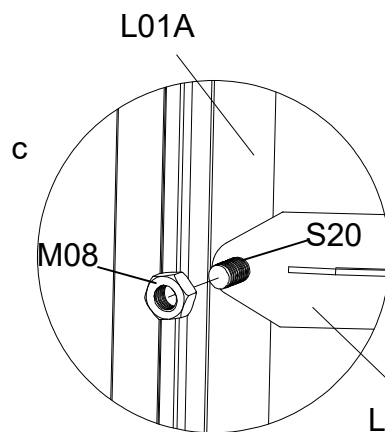
PART	NO	QTY
	L01A	2
	L03C	2
	L05A	3
	L08A	3
	A95L J168L	1
	A95R J168R	1
	A96 J169	2
	D05	9
	S20 M5X10	6
	M08 M5	6
	S26 M6X12	13




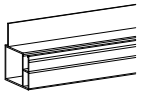
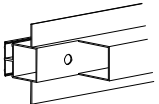





Attention! The end face of L03C with a notch facing upwards

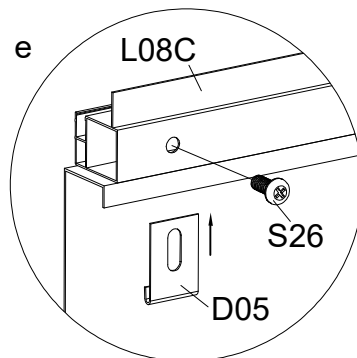
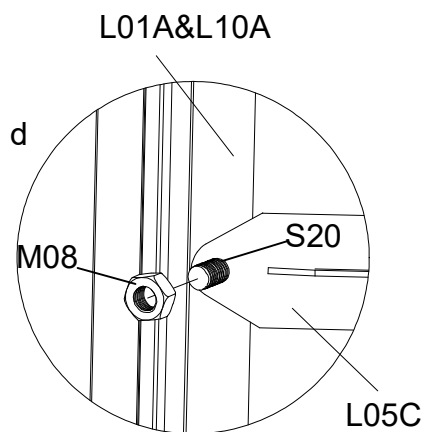
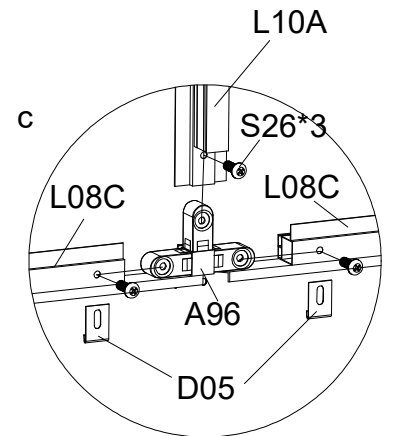
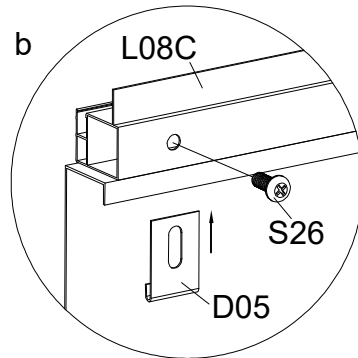
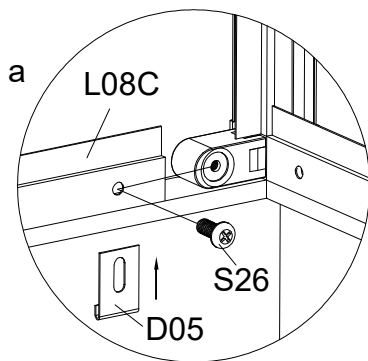
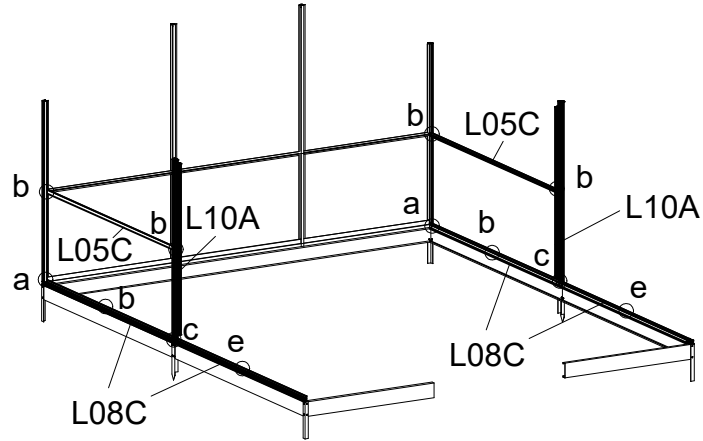


Attention! The hole above A95L&R faces towards L08C direction

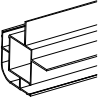

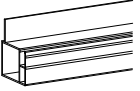
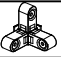







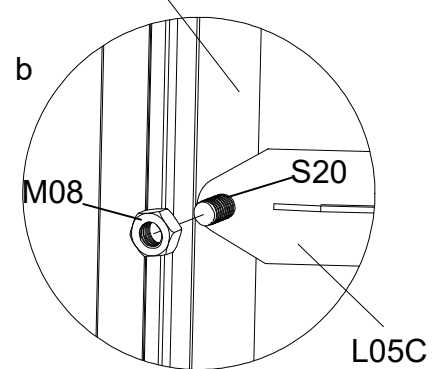
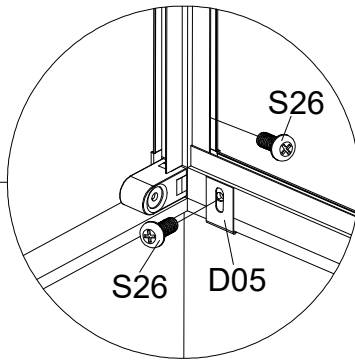
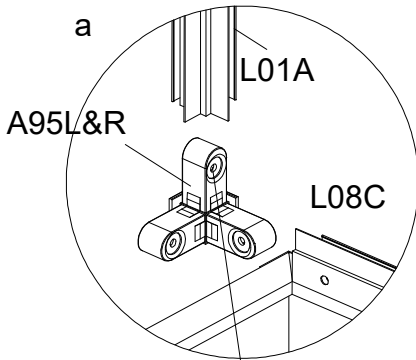
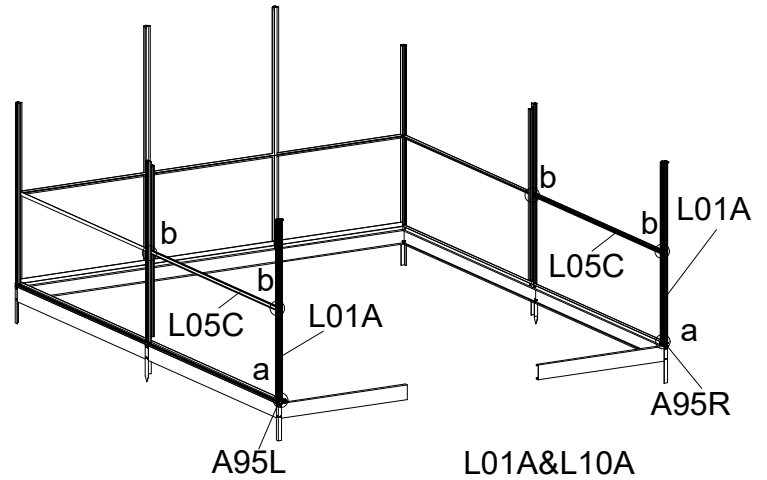
Wall Assembly

PART	NO	QTY
	L05C	2
	L08C	4
	L10A	2
	A96	2
	J169	
	D05	10
	S20	4
	M5X10	
	M08	4
	M5	
	S26	12
	M6X12	

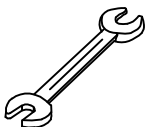
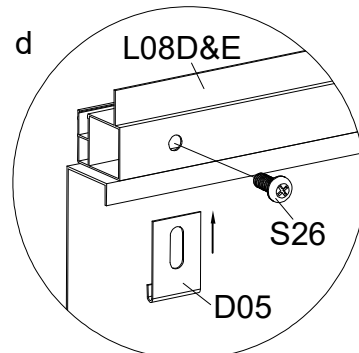
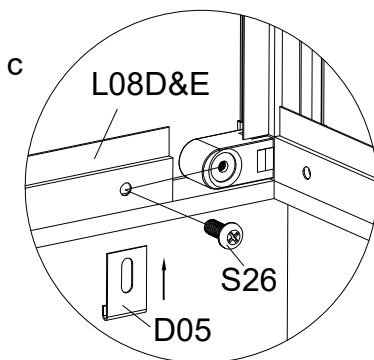
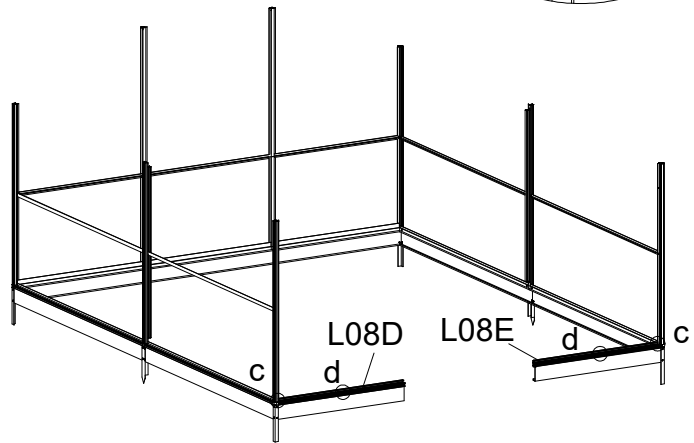


Wall Assembly

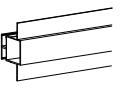

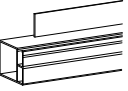
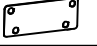



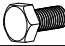

PART	NO	QTY
	L01A	2
	L05C	2
	L08D	1
	L08E	1
	A95L	1
	J168L	
	A95R	1
	J168R	
	D05	6
	S20	4
	M5X10	
	M08	4
	M5	
	S26	8
	M6X12	

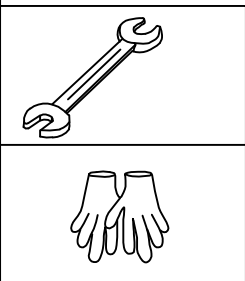
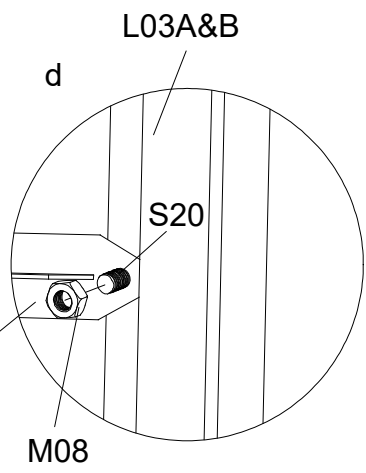
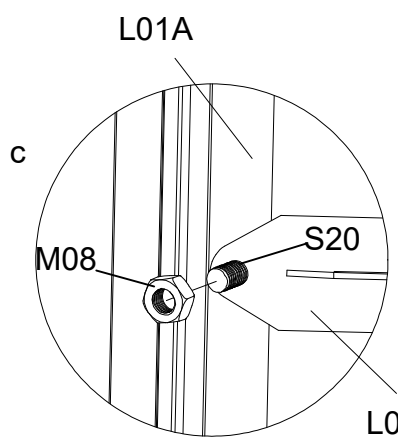
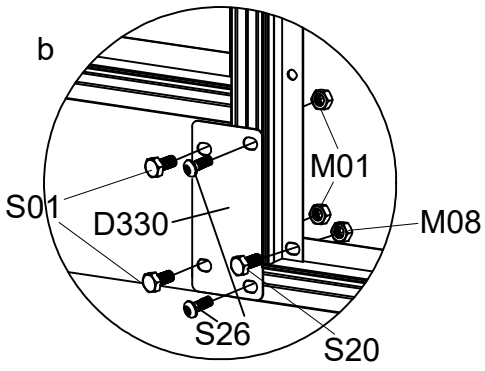
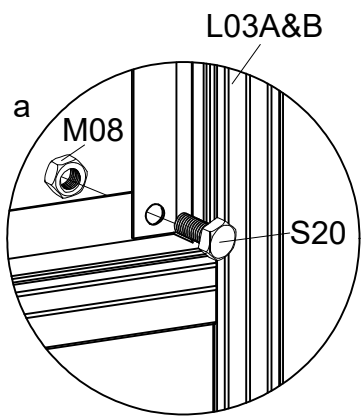
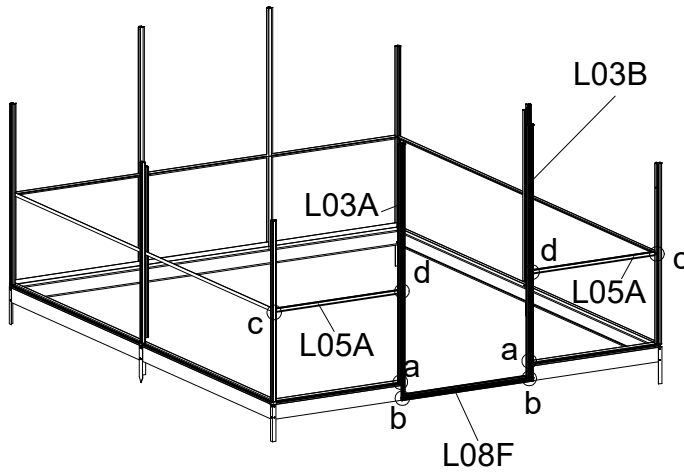


Attention! The hole above A95L&R faces towards L08C direction

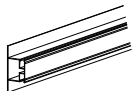





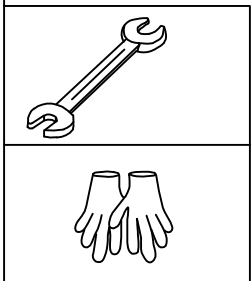
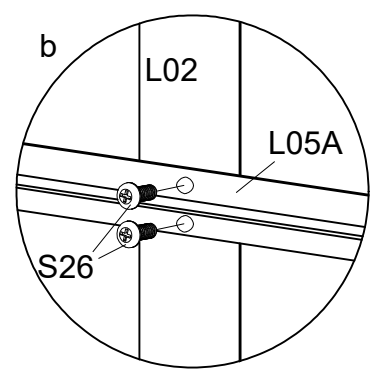
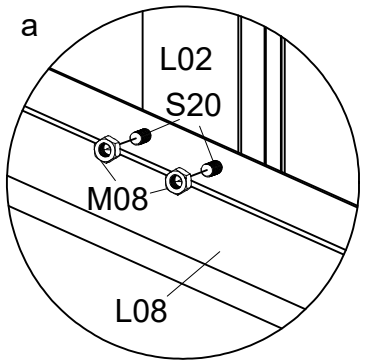
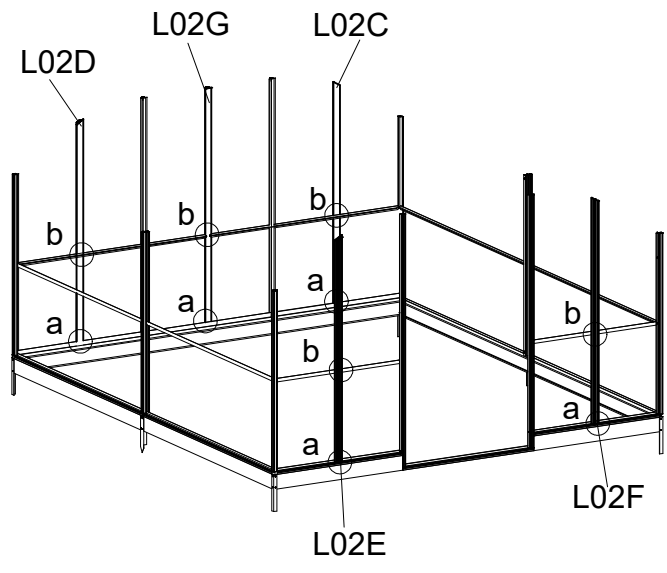
Wall Assembly

PART	NO	QTY
	L03A	1
	L03B	1
	L05A	2
	L08F	1
	D330	2
	S20	8
	M5X10	
	M08	8
	M5	
	S26	4
	M5X12	
	S01	4
	M6X12	
	M01	4
	M6	

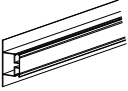





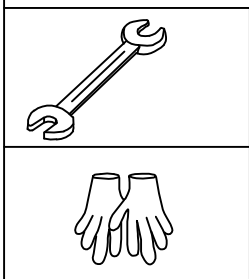
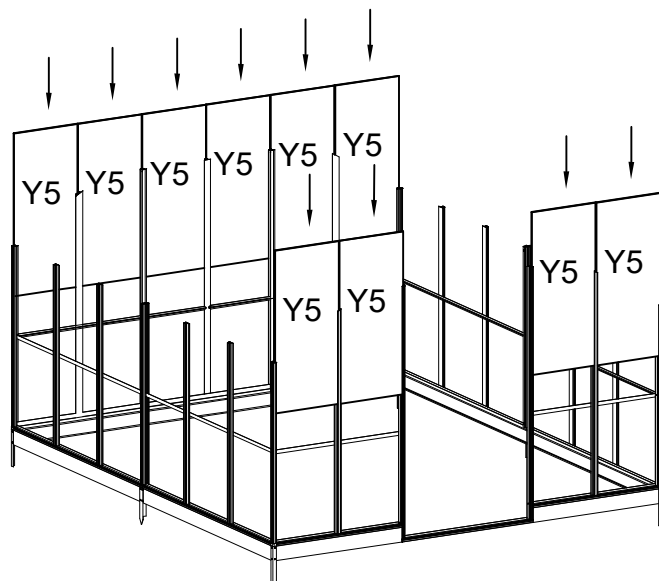
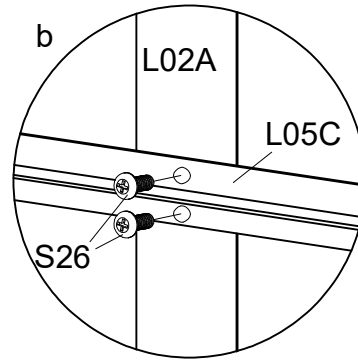
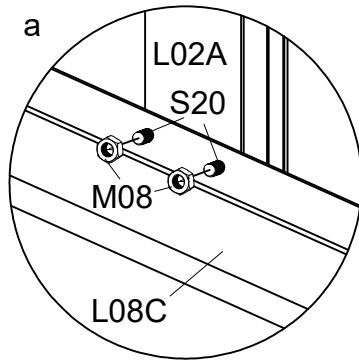
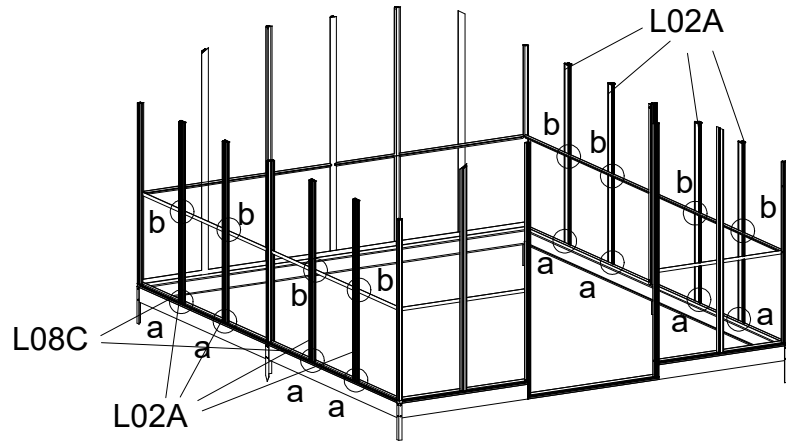
Wall Assembly

PART	NO	QTY
	L02C	1
	L02D	1
	L02E	1
	L02F	1
	L02G	1
	S20	10
	M5X10	
	M08	10
	M5	
	S26	10
	M5X12	


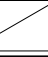

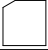
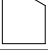

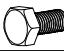



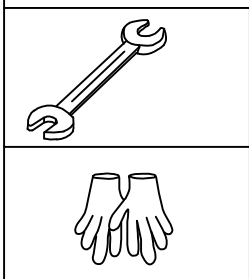
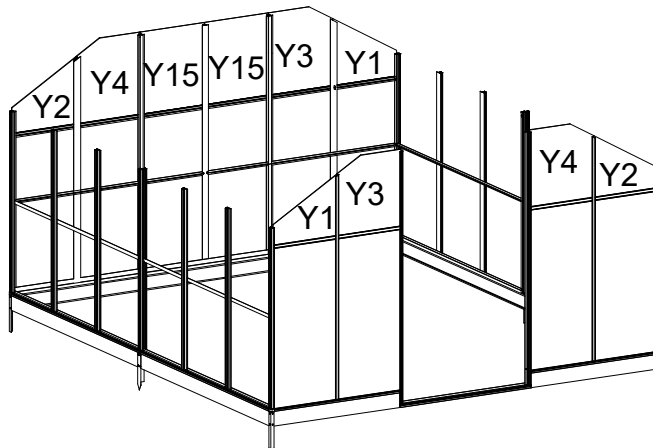
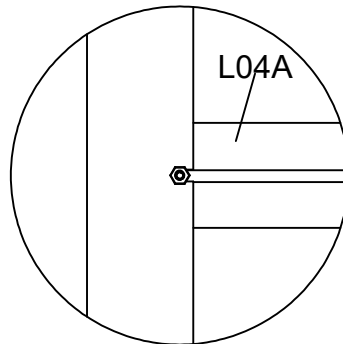
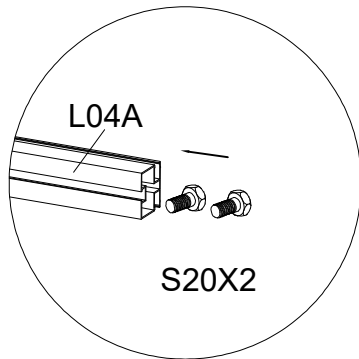
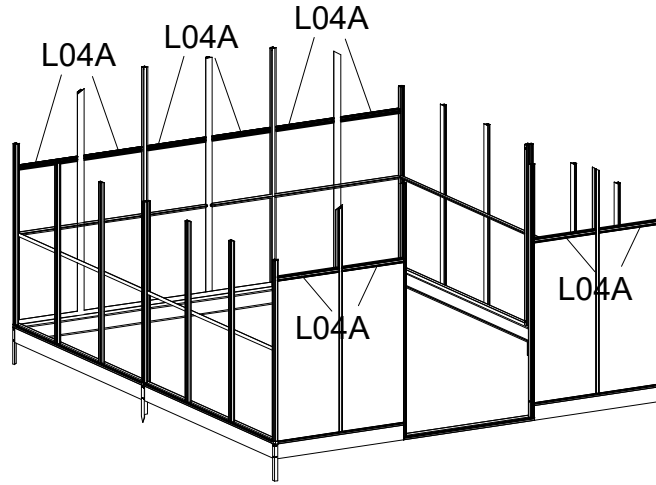
Wall Assembly

PART	NO	QTY
	L02A	8
	S20 M5X10	16
	M08 M5	16
	S26 M5X12	16

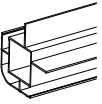
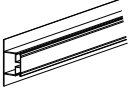
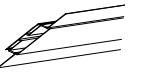





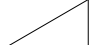
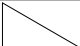


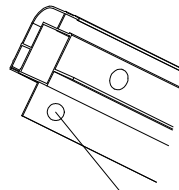
Wall Assembly

PART	NO	QTY
	L04A	10
	Y1	2
	Y2	2
	Y3	2
	Y4	2
	Y15	2
	S20 M5X10	20
	M08 M5	20

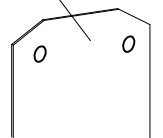
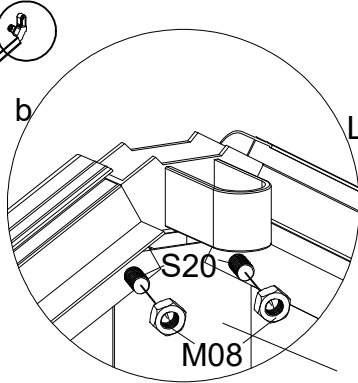
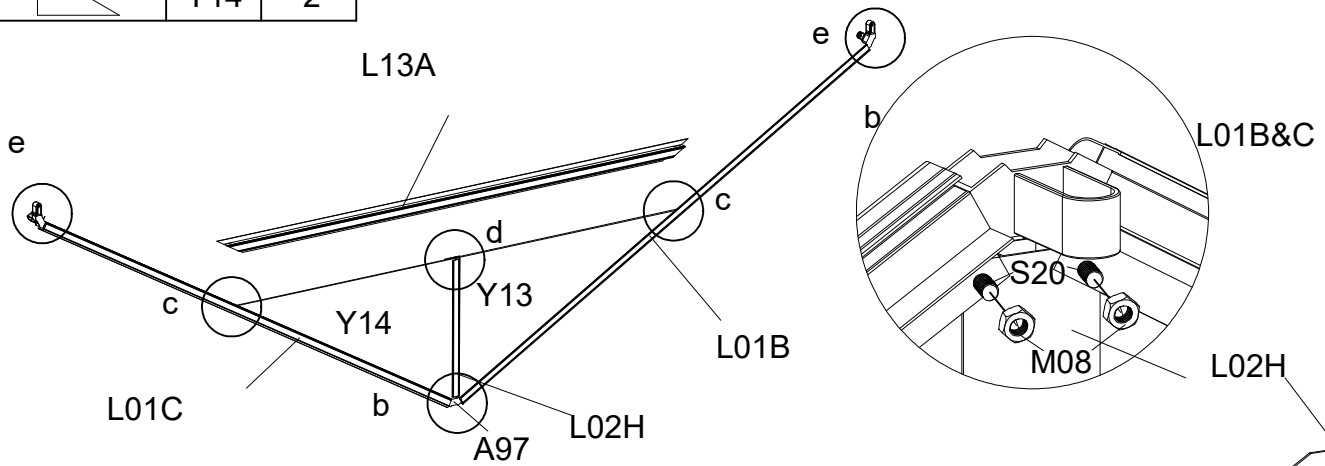
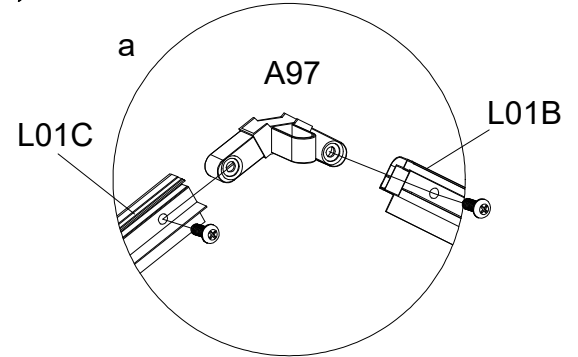
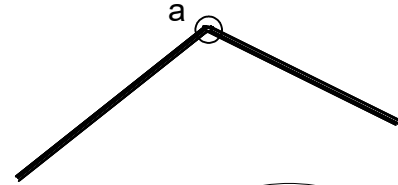


Wall Assembly

PART	NO	QTY
	L01B	2
	L01C	2
	L02H	2
	L13A	2
	S26 M5X12	20
	A97 J170	6
	S20 M5X10	12
	M08 M5	12
	D341	4
	Y13	2
	Y14	2



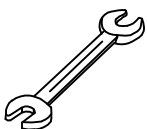
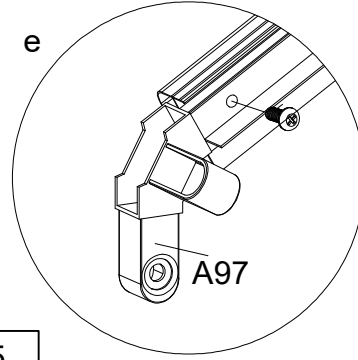
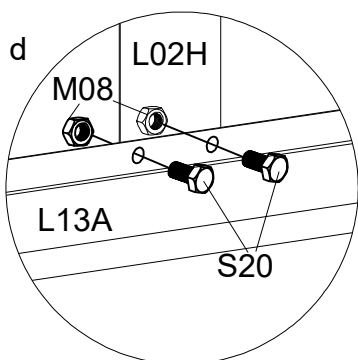
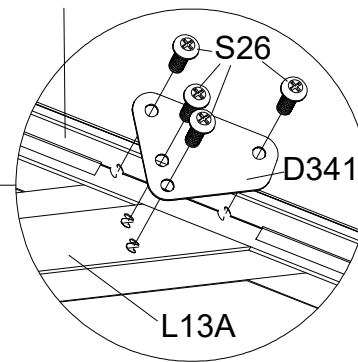
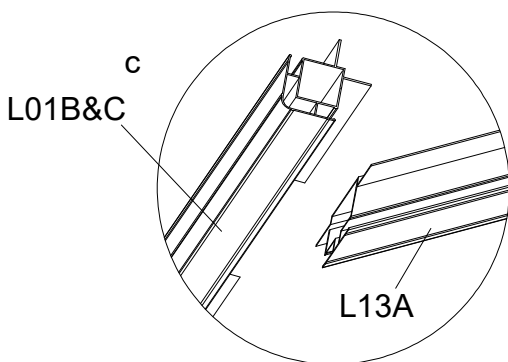
Attention! Close to the end face of L01B and L01C with a single hole, facing upwards






Attention! When installing L13A, it will be easier to install it upside down

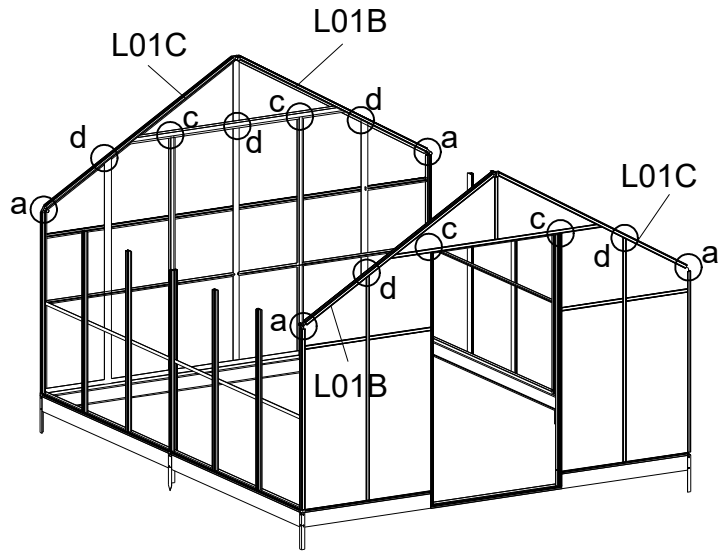
L01B&C

Attention! The end of L02H with chamfered upwards

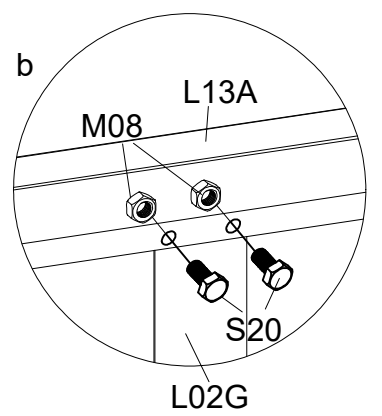
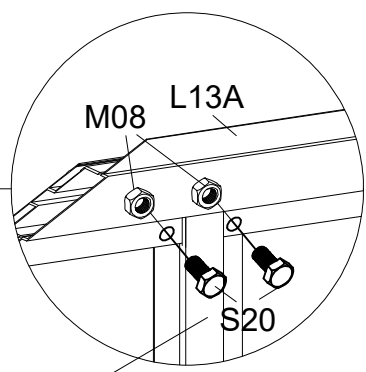
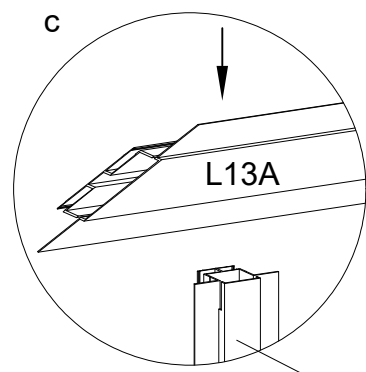
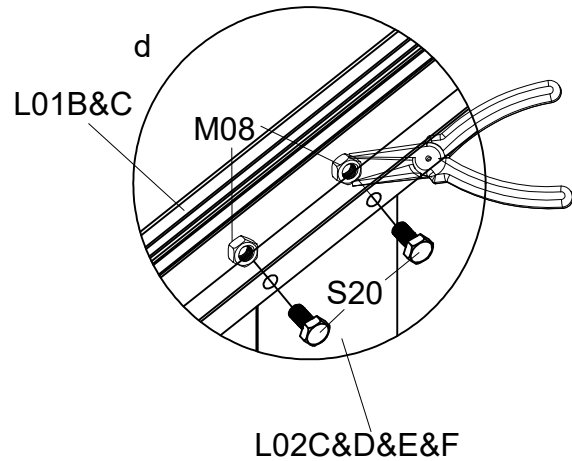
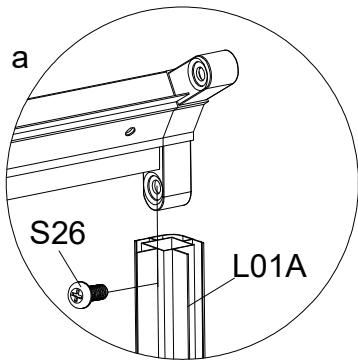


PART	NO	QTY
	S20	18
	M5X10	
	M08	18
	M5	
	S26	4
	M5X12	

Wall Assembly

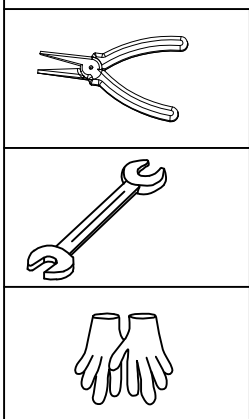


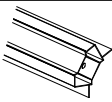









If the nut is difficult to install, use pliers to assist in installation



L03A&B&C

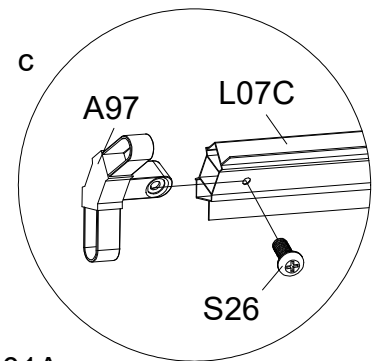
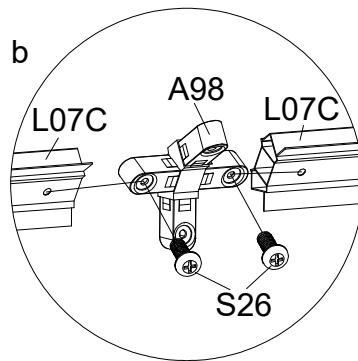
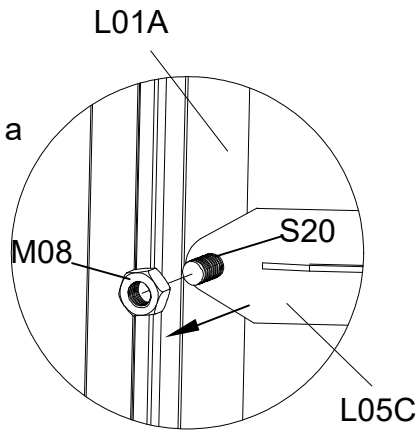
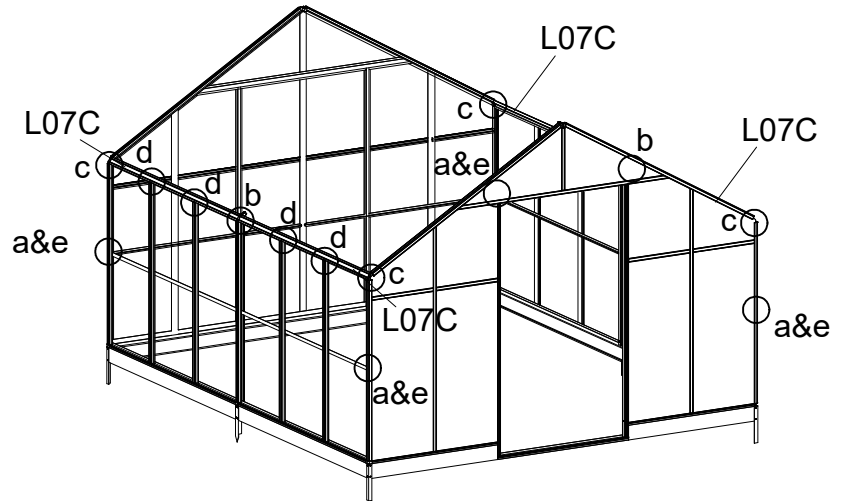
First, insert the surface below of L13A into the gap of L03A&BC, and then fix it with S20&M08



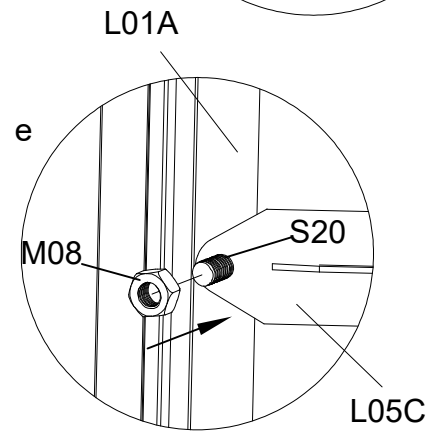
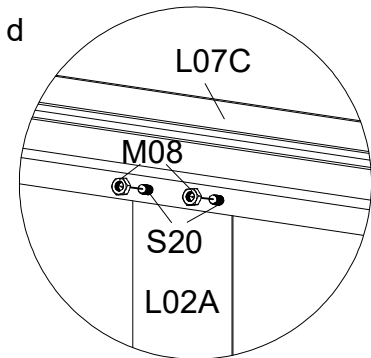
PART	NO	QTY
	L07C	4
	A98	2
	J171	
	S26	8
	M5X12	
	S20	16
	M5X10	
	M08	16
	M5	
	Y6	10

Put the panels into positions

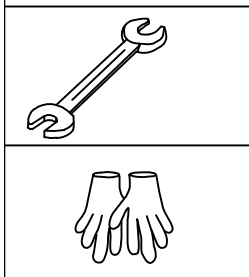
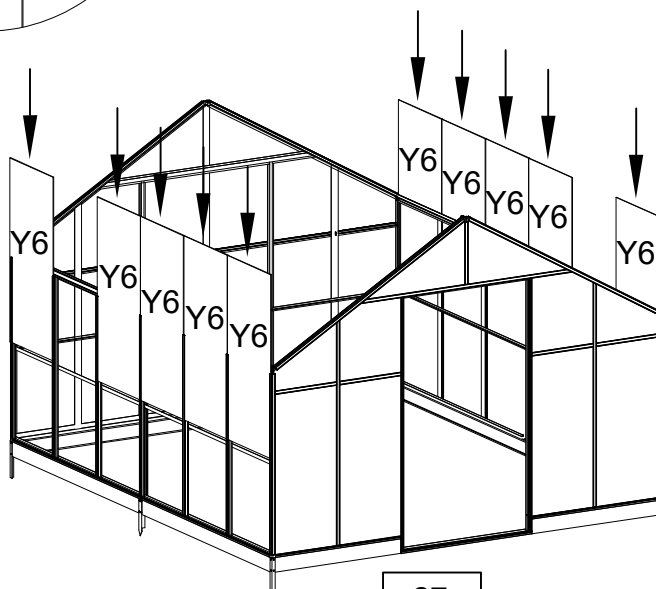
Wall Assembly







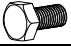

Loosen the screws at the four corners of L01A and L05C before installing L07C

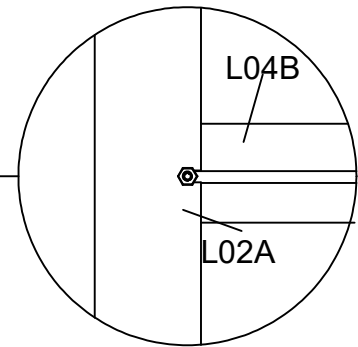
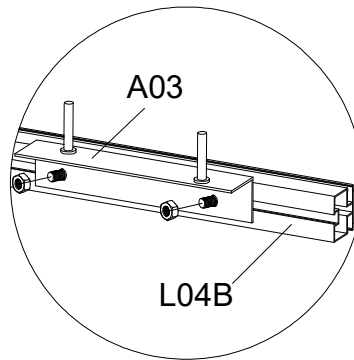
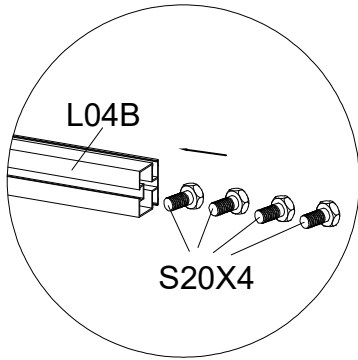
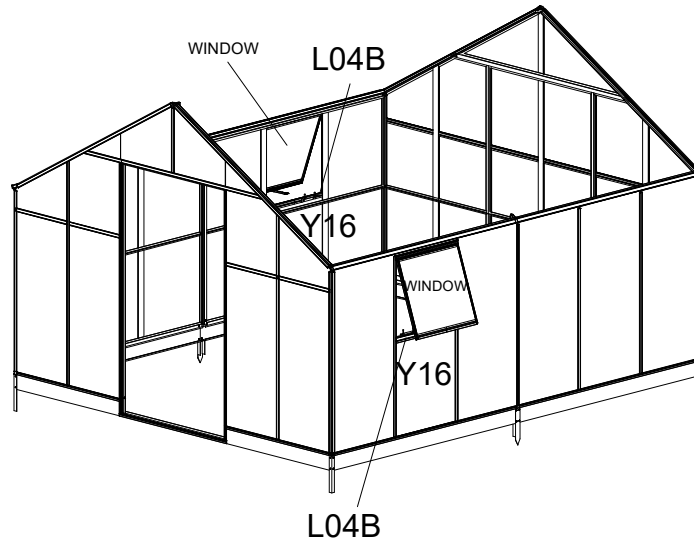


After installing L07C, fix L01A and L05C again

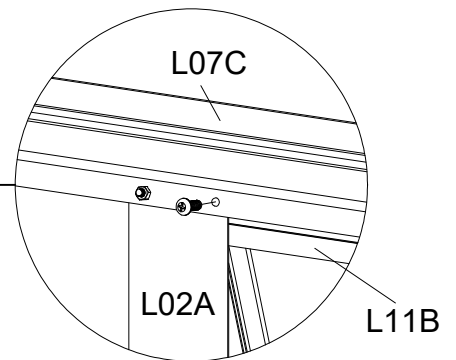
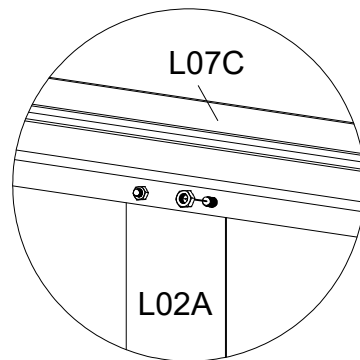
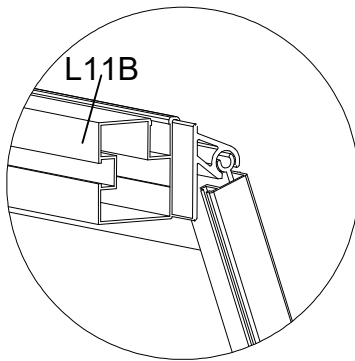


Wall Assembly

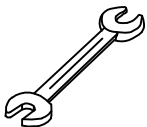
PART	NO	QTY
	L04B	2
	A03	2
	WINDOW2	2
	Y16	2
	S20 M5X10	12
	M08 M5	
		12

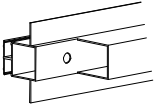





When installing L04B, the window needs to be lifted up to avoid the window not opening after the installation is complete

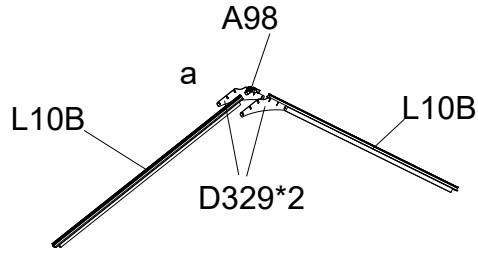


If the screws for the window installation position have already been installed first it needs to be removed first and replaced with S26

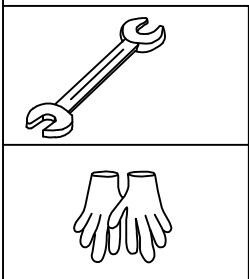
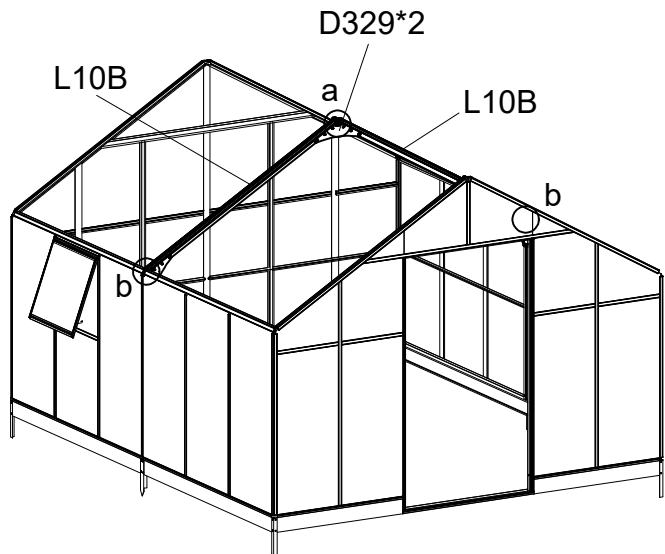
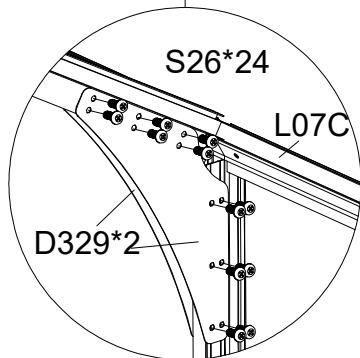
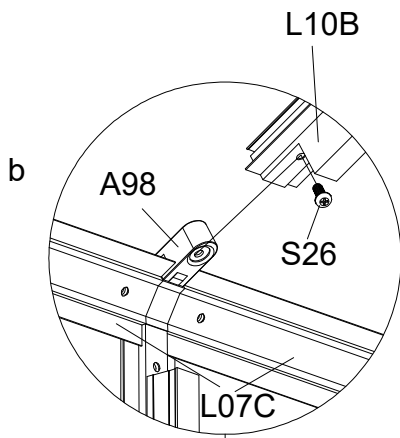
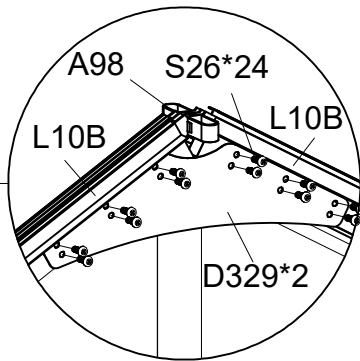
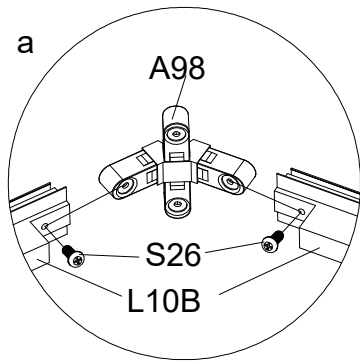


PART	NO	QTY
	L10B	2
	A98 J171	1
	D329	6
	S26 M5X12	72

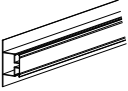
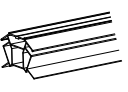
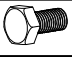


Top Assembly

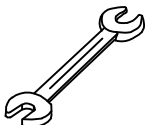
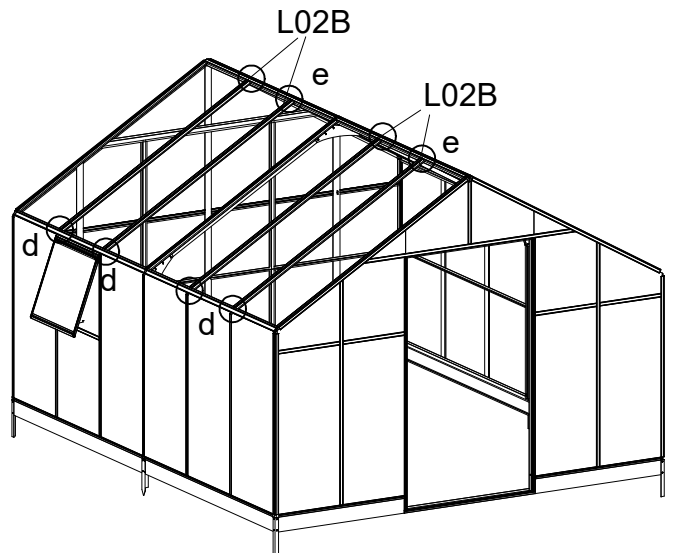
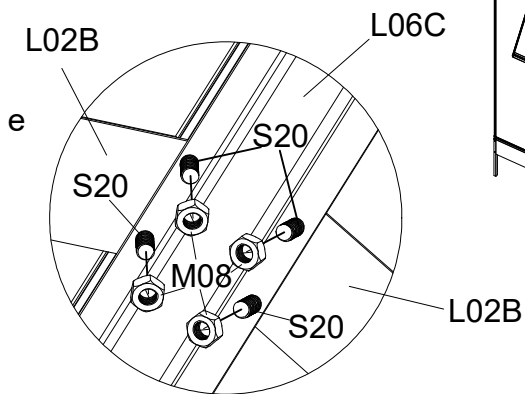
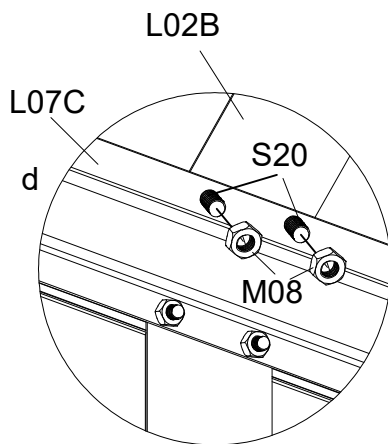
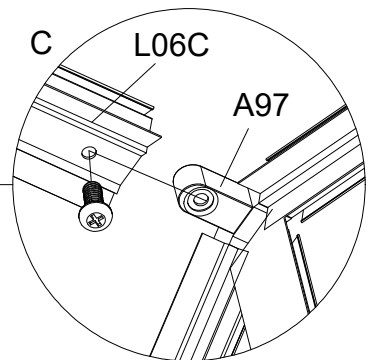
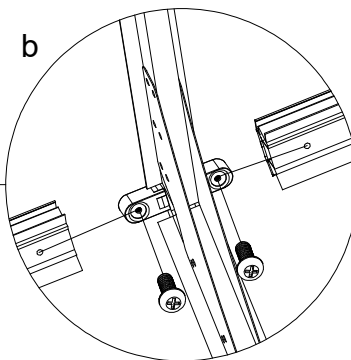
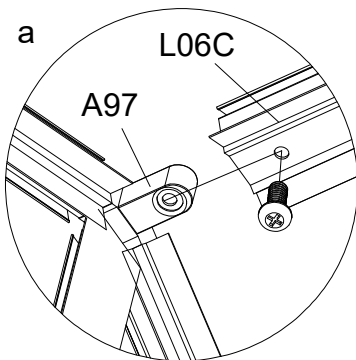
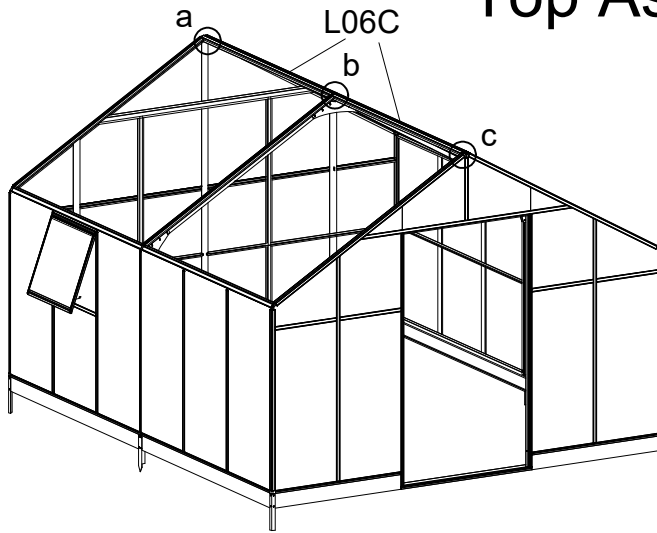


First, connect the two L10Bs with A98, and then fix the two L10Bs with D329 and S26 (installed on the ground first)





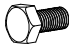



Top Assembly

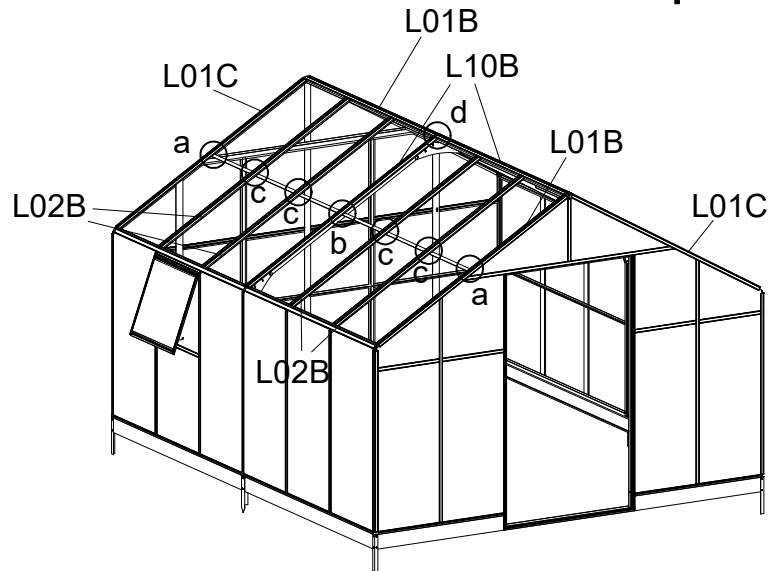
PART	NO	QTY
	L02B	8
	L06C	2
	S20 M5X10	32
	M08 M5	32
	S26 M5X12	4



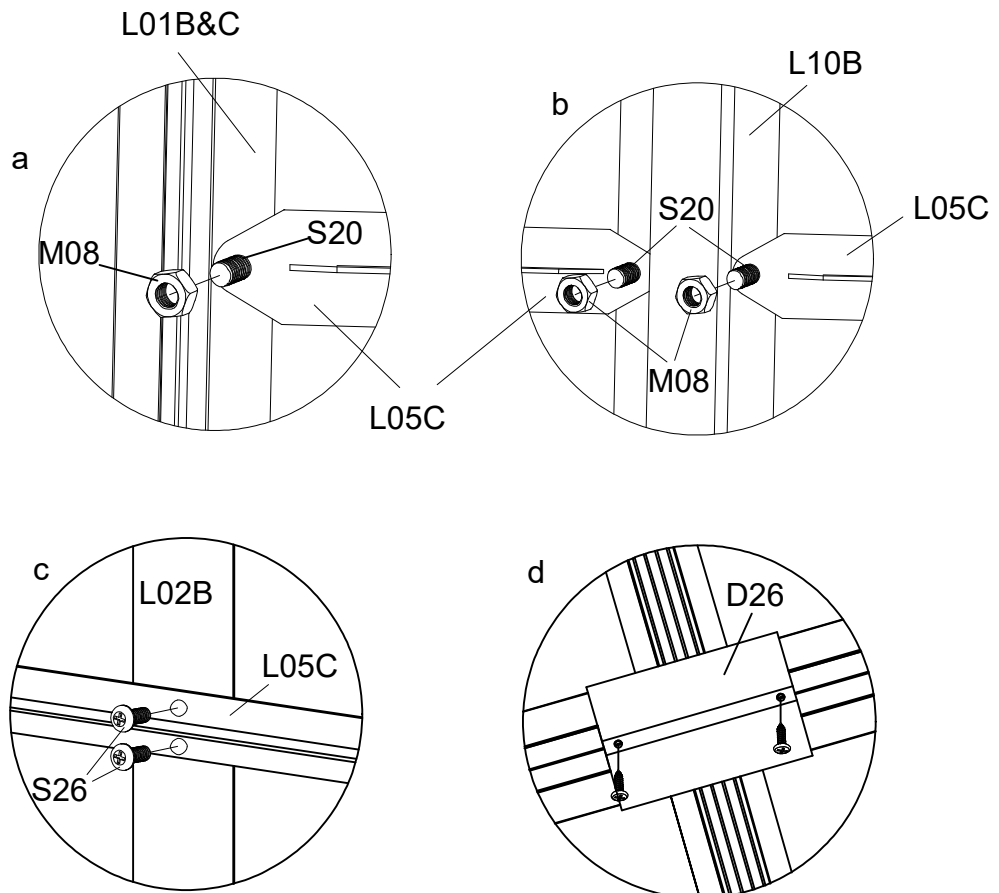
Fix glazing bars L02B (8pcs)
to the eaves and the ridge
profiles with S20 & M08

Top Assembly

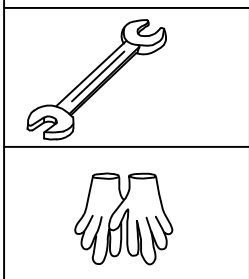
PART	NO	QTY
	L05C	4
	D26	1
	S20 M5X10	8
	M08 M5	8
	Z08 M4.2X16	2
	S26 M5X12	16




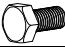


L05C with the extra reinforced edge in the middle should face inside.

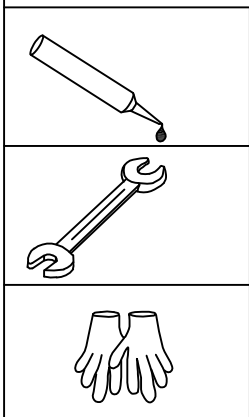
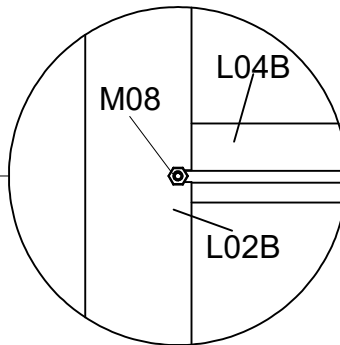
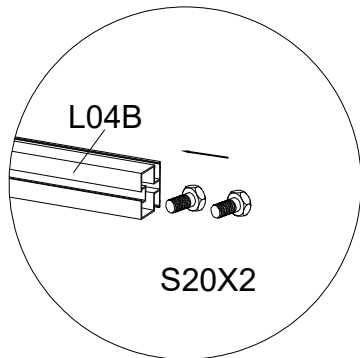
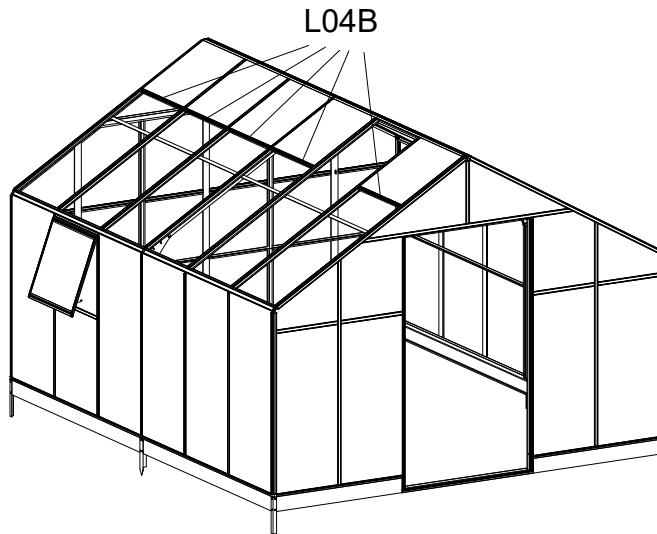
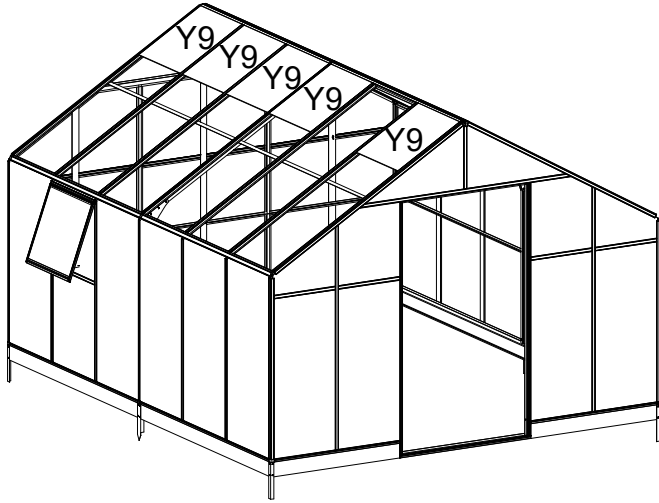


Fix D26 to L06C from outside with self-tapping screws Z08, using a powered screwdriver.





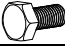



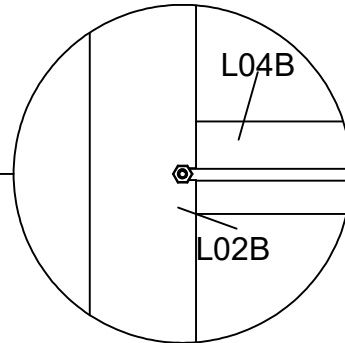
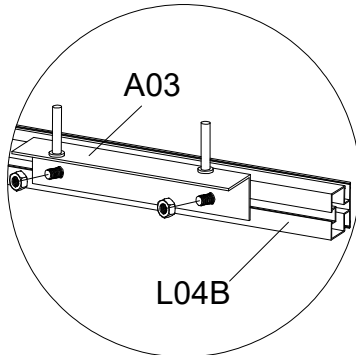
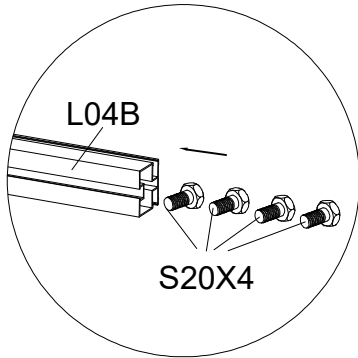
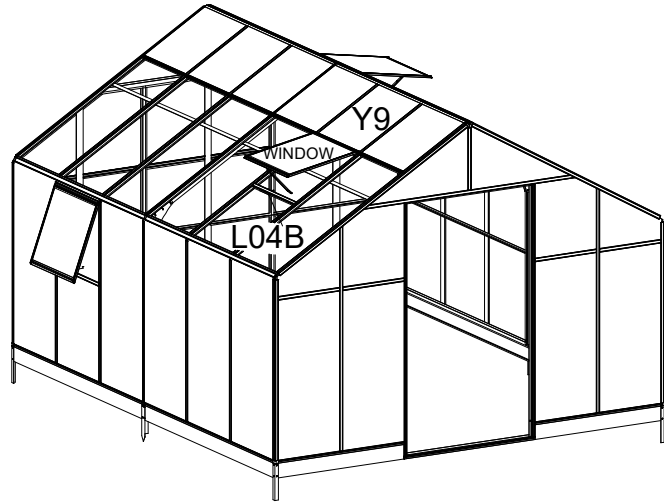
Top Assembly

PART	NO	QTY
	L04B	10
	S20 M5X10	20
	M08 M5	20
	Y9	10

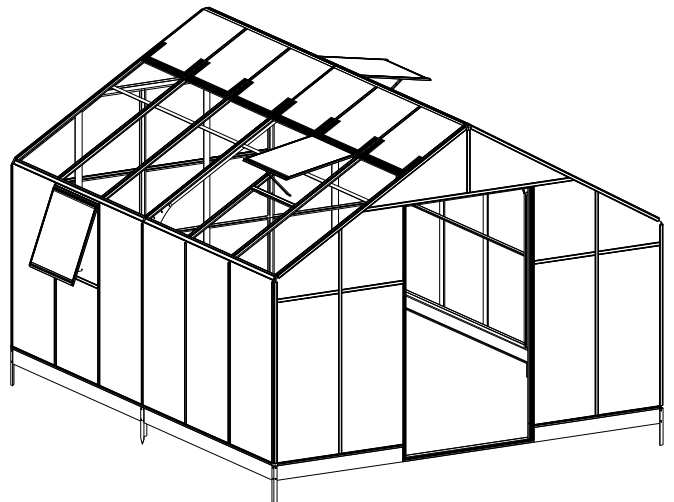
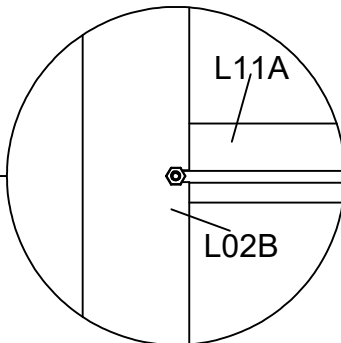
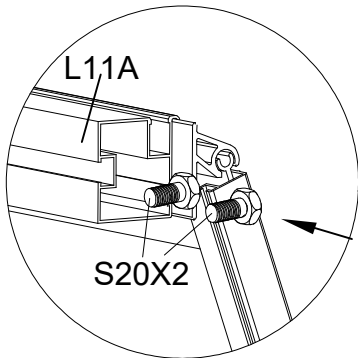


Top Assembly

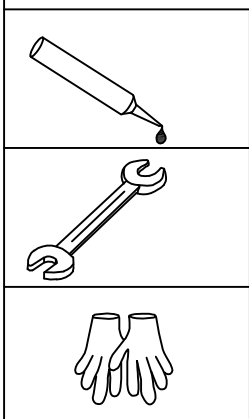
PART	NO	QTY
	L04B	2
	A03	2
	WINDOW1	2
	Y9	2
	S20	12
	M5X10	
	M08	12
	M5	



When installing L04B, the window needs to be lifted up to avoid the window not opening after the installation is complete

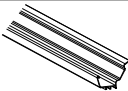


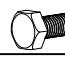





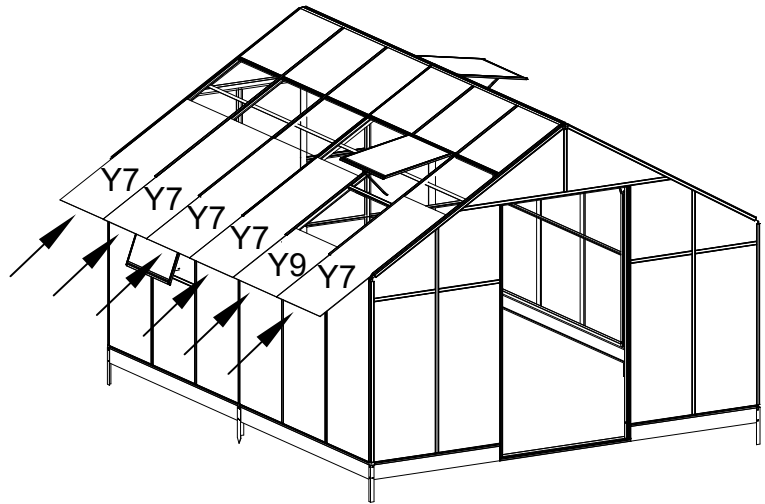
Slide 2 bolts (S20) into each L11A, and bolt it to L02B, using the S20 & M08.



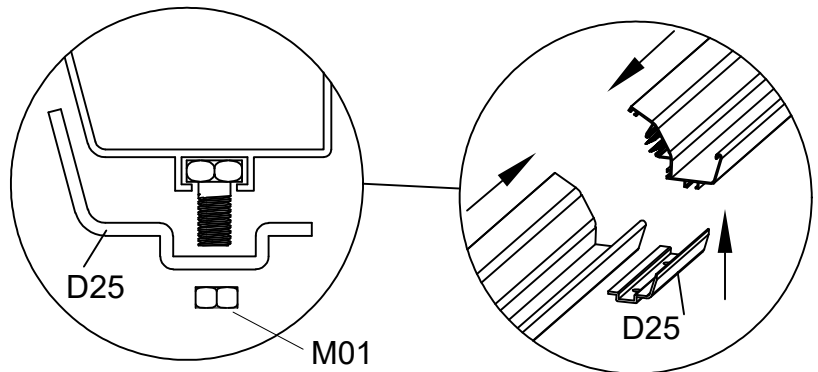
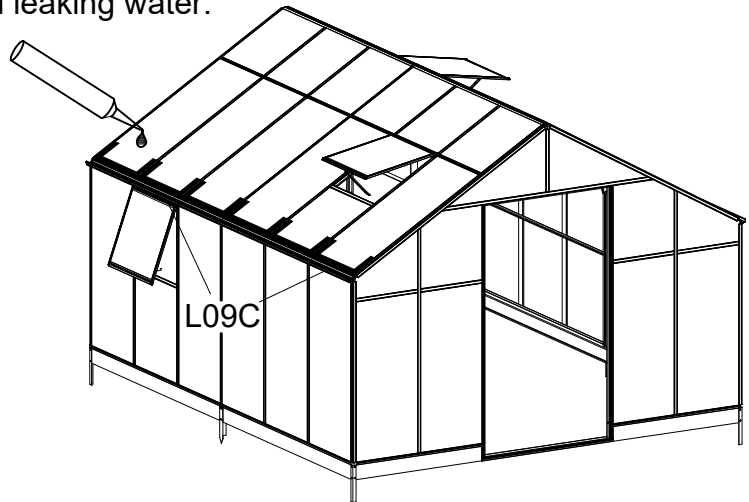
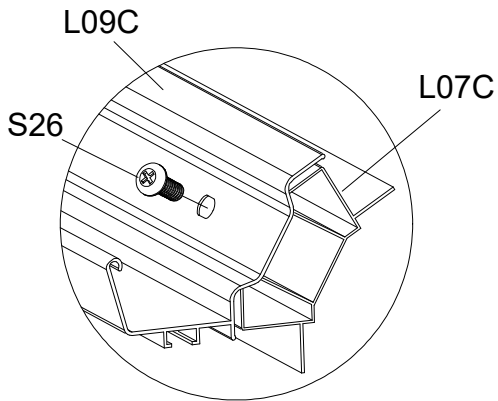
After the panels and windows are in position, put some silicone sealant around to avoid leaking water.

Top Assembly

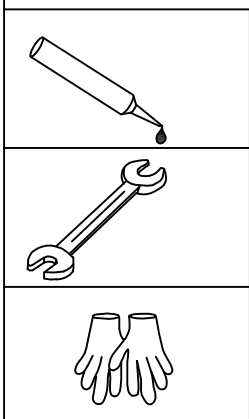
PART	NO	QTY
	L09C	4
	D25	2
	S26 M5X12	26
	S01 M6X12	4
	M01 M6	4
	Y7	10
	Y9	2








After the panels and windows are in position,
put some silicone sealant around to avoid leaking water.

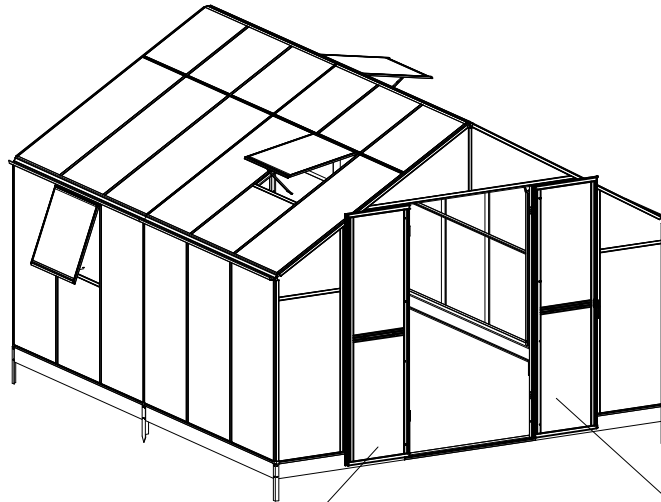


Slide 1*S01 into the bolt channel of both L09C,
fix D25 to L09C using S01 & M01



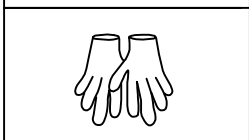
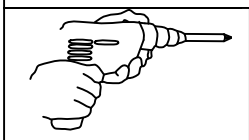
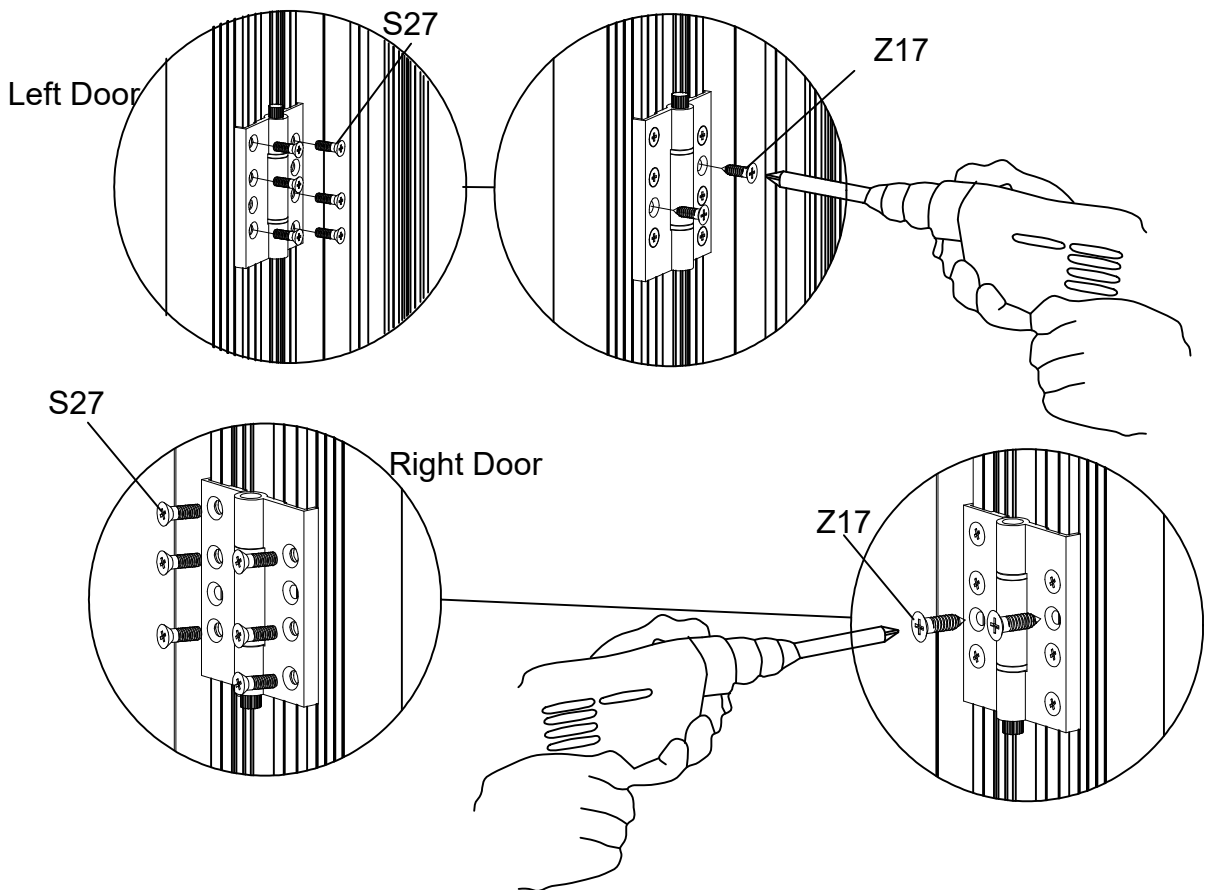
PART	NO	QTY
	D00R-L	1
	D00R-R	1
	A51	4
	Z17 M4.8X16	8
	S27 M5X12	24

Door Assembly












Left Door

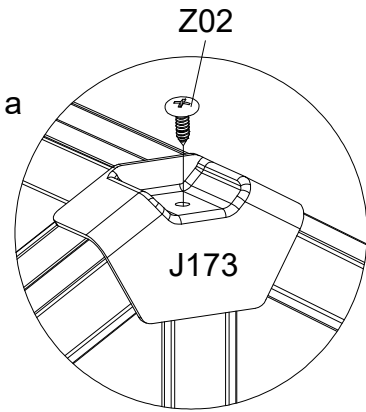
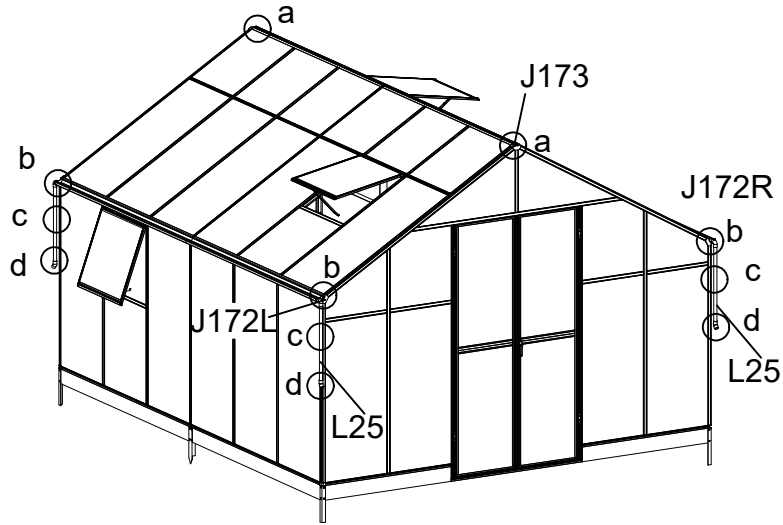
Right Door



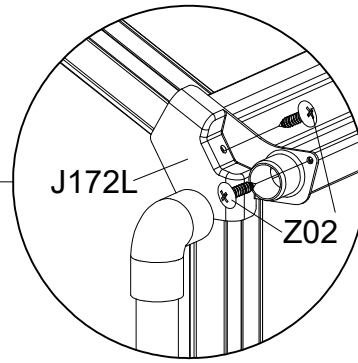
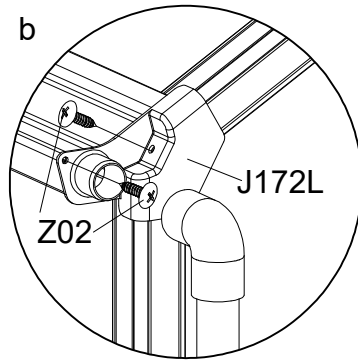
Fix A51(4 PCS) one side on the door profile and the other side to L02E/L02F using S27. Then secure with Z17.

PART	NO	QTY
	J172R	2
	J172L	2
	J173	2
	J94	4
	L25	4
	J93	4
	J166	4
	Z08 M4.2X16	4
	Z02 Ø4X16D	10

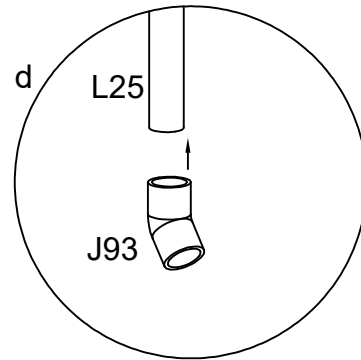
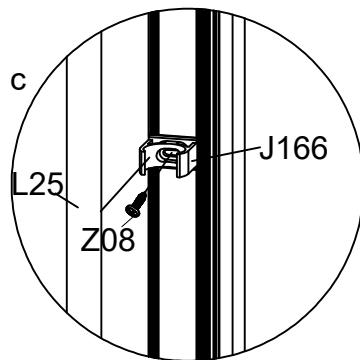
Accessories Assembly



Fix the cover caps J173 into the ridge profile

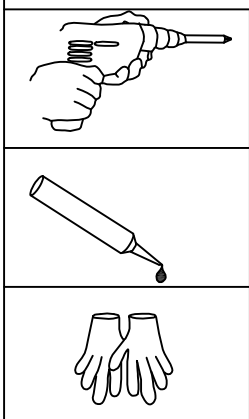


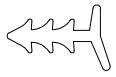
Fix the cover caps (J172L/R) carefully with Z02. Be careful to ensure that the screws are driven in straight and in the correct position (see detail drawings).

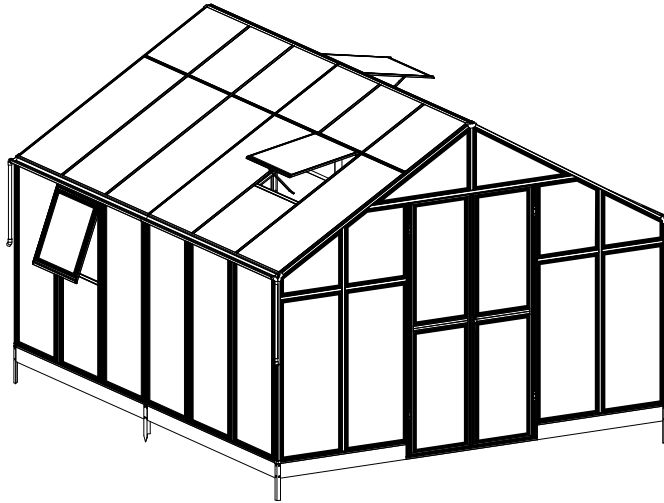


Drill a hole in L01A/L01B, approximately 3mm diameter and 400mm down from the gutter. Fix the J166 downpipe bracket with Z08 screws and then clip the L25 downpipe into the J166 bracket.

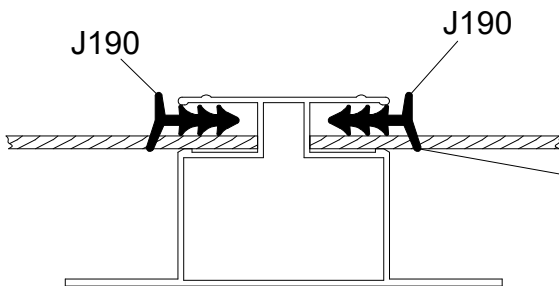
If you wish to eliminate leaks, use glue when fixing the downpipe bends (not provided).



PART	NO	QTY
	J190	132M



During the installation of resistant boards, it is necessary to install block gine J190



Attention! Coating the long edge of J190 and resistant boards

