


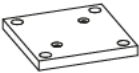
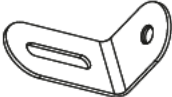
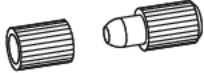




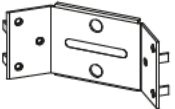
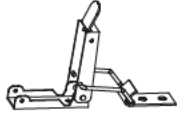

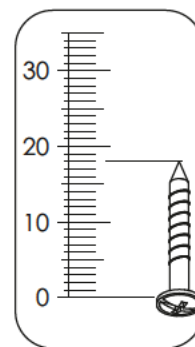
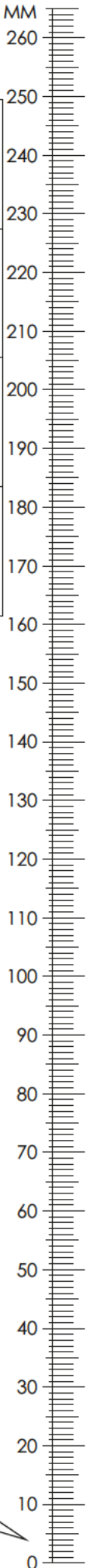
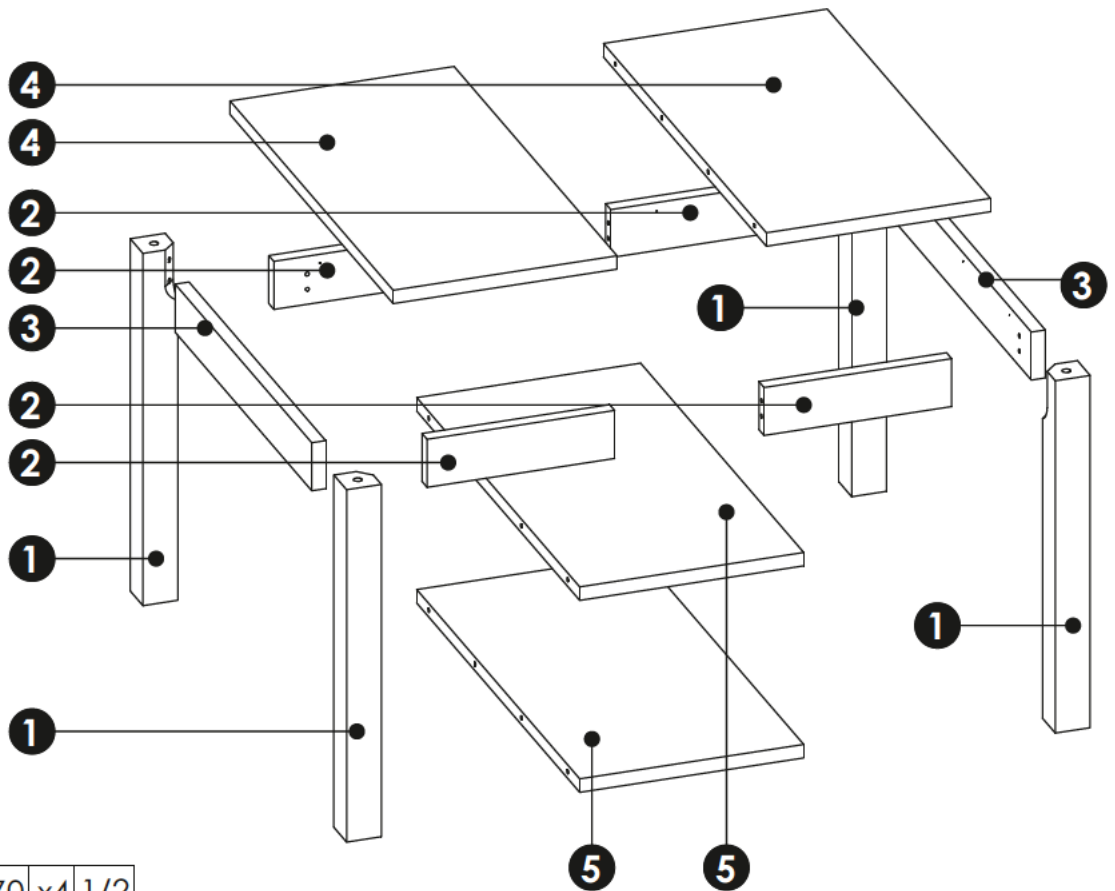
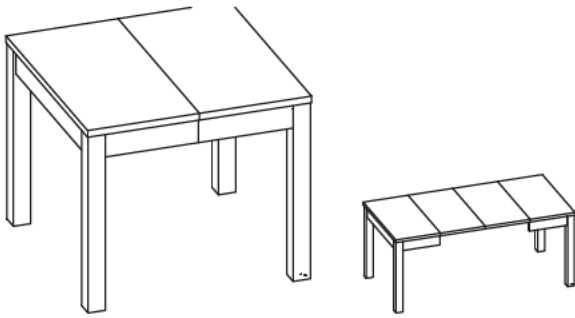


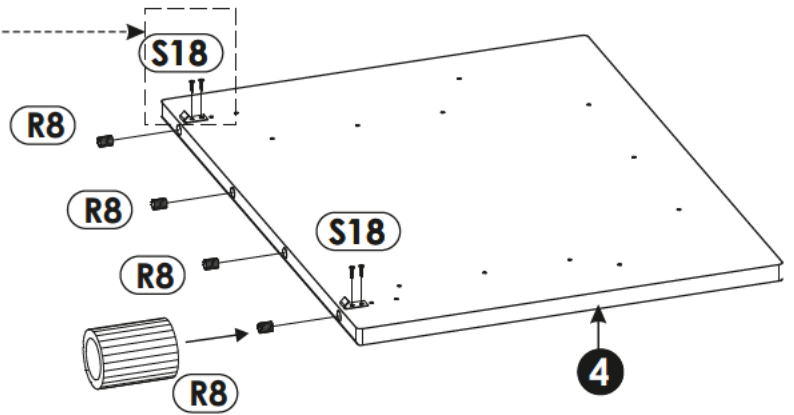
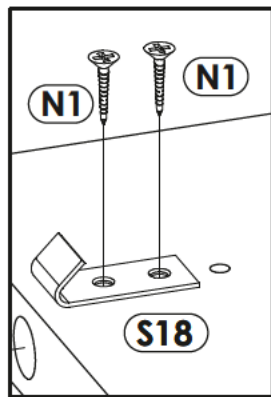
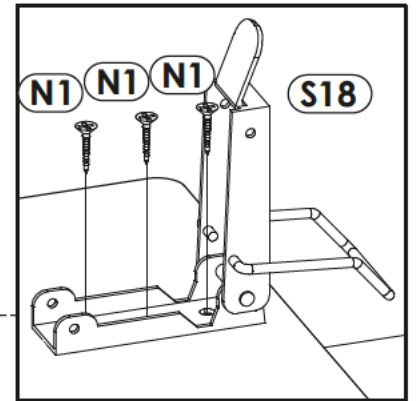
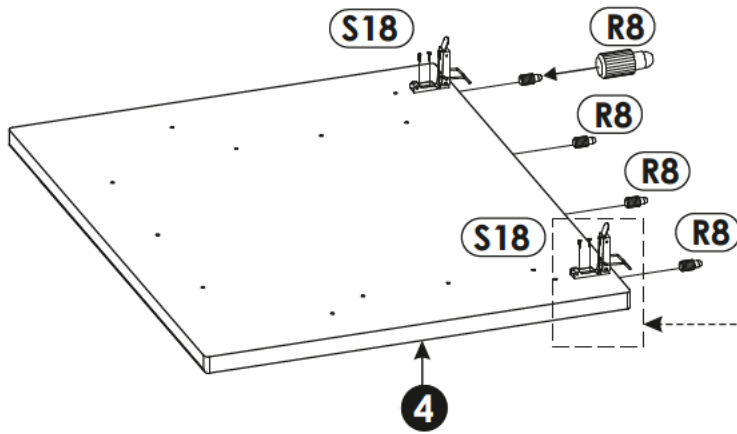
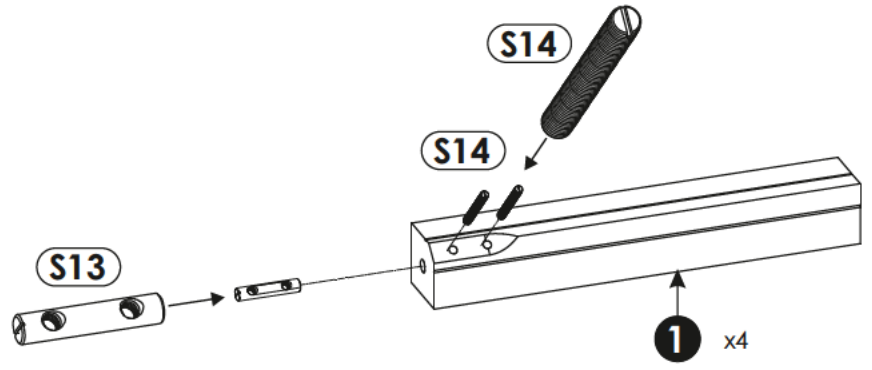
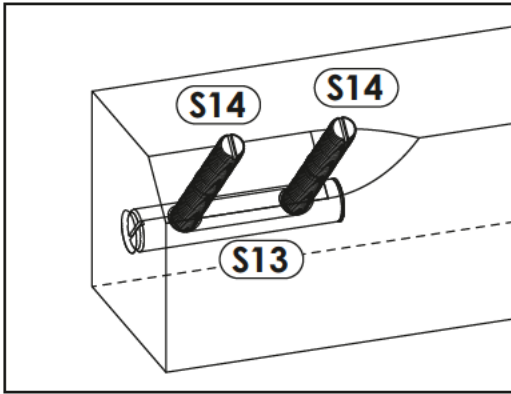
<b>I3</b> x32 UP 4 x 20mm 	<b>N1</b> x30 US 3 x 16mm 	<b>N2</b> x52 US 3,5 x 16mm 
<b>O14</b> x4 69x69 	<b>Q7</b> x14 	<b>R8</b> x16 
<b>S13</b> x4 16x80 	<b>S14</b> x8 M10x90 	<b>S15</b> x8 
<b>S16</b> x8 M10 	<b>S17</b> x4 	<b>S18</b> x6 
<b>T10</b> x2 		



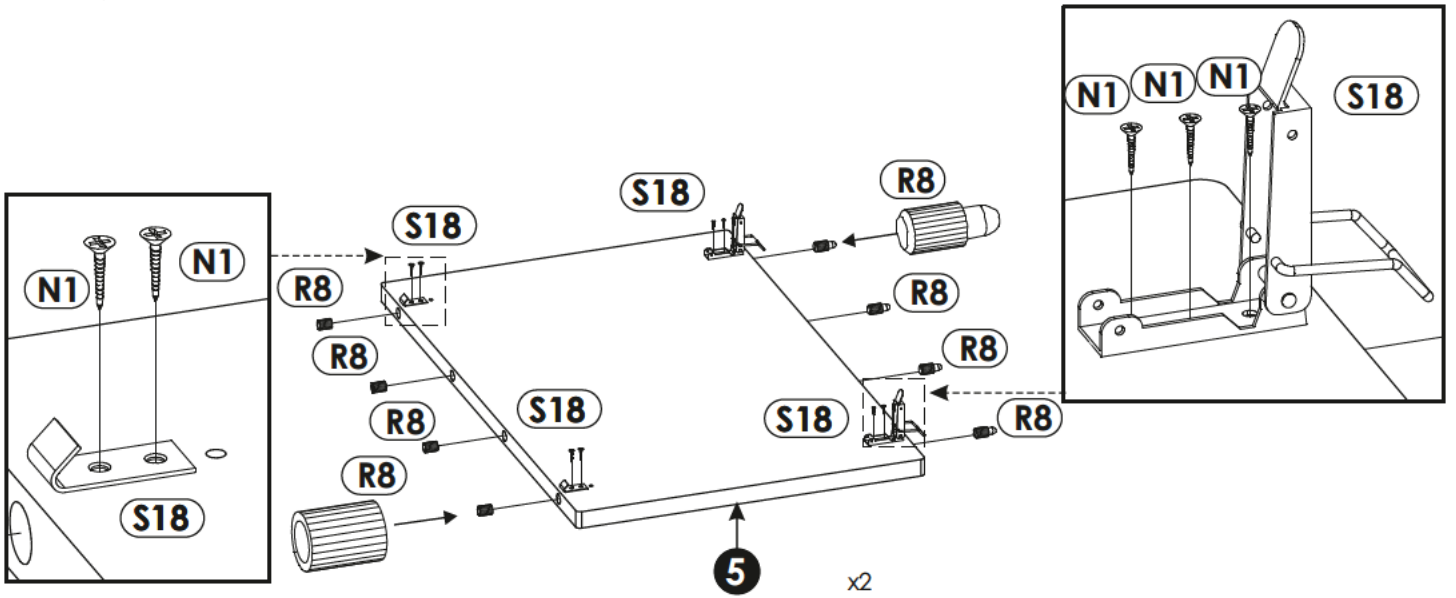


<b>1</b>	734	70	70	x4	1/2
<b>2</b>	377	100	28	x4	2/2
<b>3</b>	754	100	28	x2	2/2
<b>4</b>	900	450	28	x2	2/2
<b>5</b>	900	450	28	x2	2/2

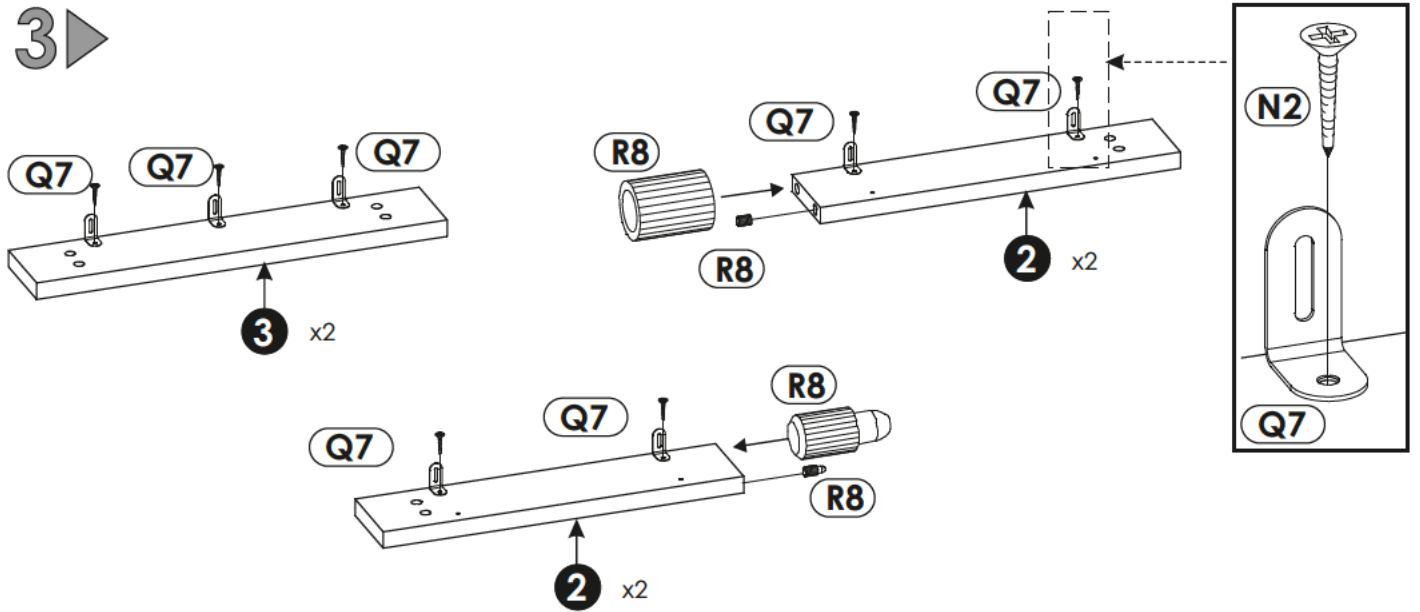
1 ▶



2▶



3▶



3▶

