

Instruction Manual

Please save the manual for future reference.

Product Name: Modern Gray Upholstered Queen Bed Headboard and Wood Footboard Set

Thank you for purchasing this product. This product has been manufactured with the highest standards of safety and quality.

PLEASE READ ALL INSTRUCTION CAREFULLY BEFORE ASSEMBLY:










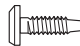



Unpack all parts from the packaging inside the carton to ensure there are no missing or damaged parts. Place all wooden furniture part on a clean and fat soft surface to prevent scratches. Place all wodnen Furniture parts on a clean ,flat, soft surface to prevent scratches. Refer to the steps provided below for assembly.

Do not attempt to assemble or use the product if any parts are missing or damaged.



CARTON CONTENTS:

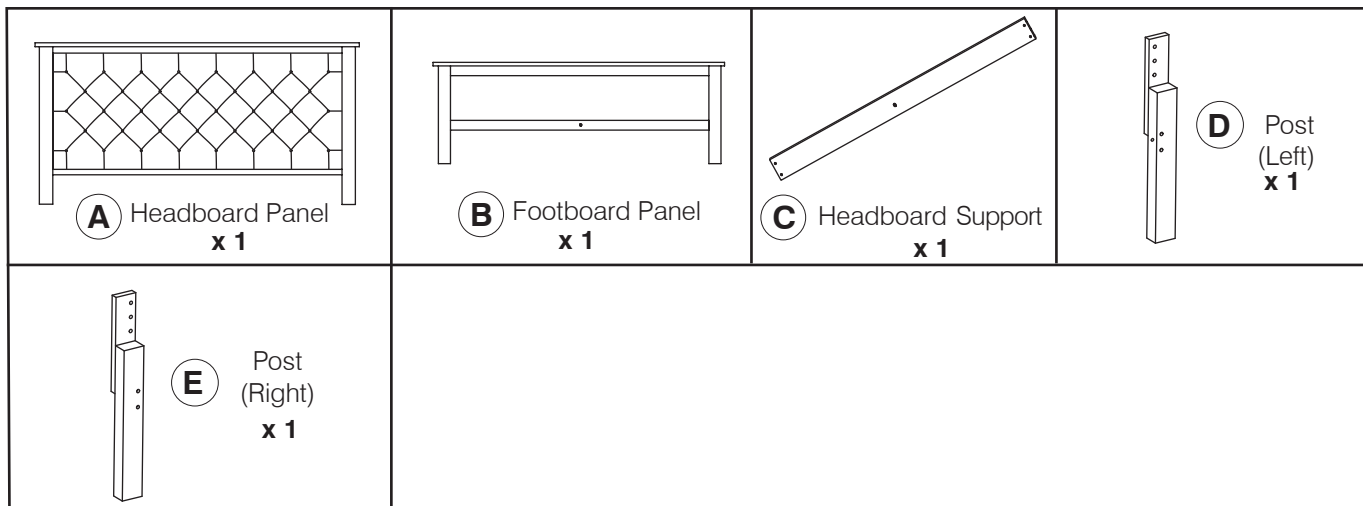
Hardware:

 1 M4 Allen Key x 1	 2 Center Rail Bracket x 2	 3 Adjustable Foot x 3	 4 Wood Screw (M4 x 32mm) x 18
 5 Wood Dowel (10 x 40mm) x 2	 6 Barrel Nut x 3	 7 Spring Washer x14	 8 M6 Flat Washer x 14
 9 M6 x 15mm JCB x 4	 10 M6 x 20mm JCB x 8	 11 M6 x 50mm JCB x 6	 12 M6 x 40mm JCB x 12
 13 M6 x 90mm JCB x 5			

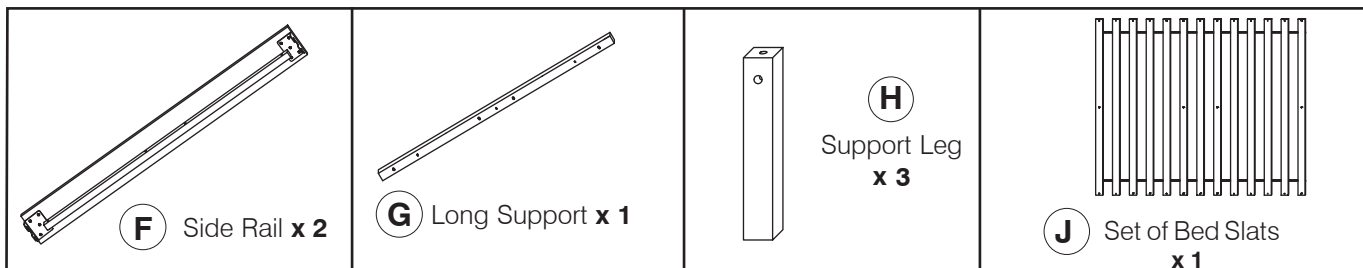
Product Name: Modern Gray Upholstered Queen Bed Headboard and Wood Footboard Set

Part List

Parts in Box A :

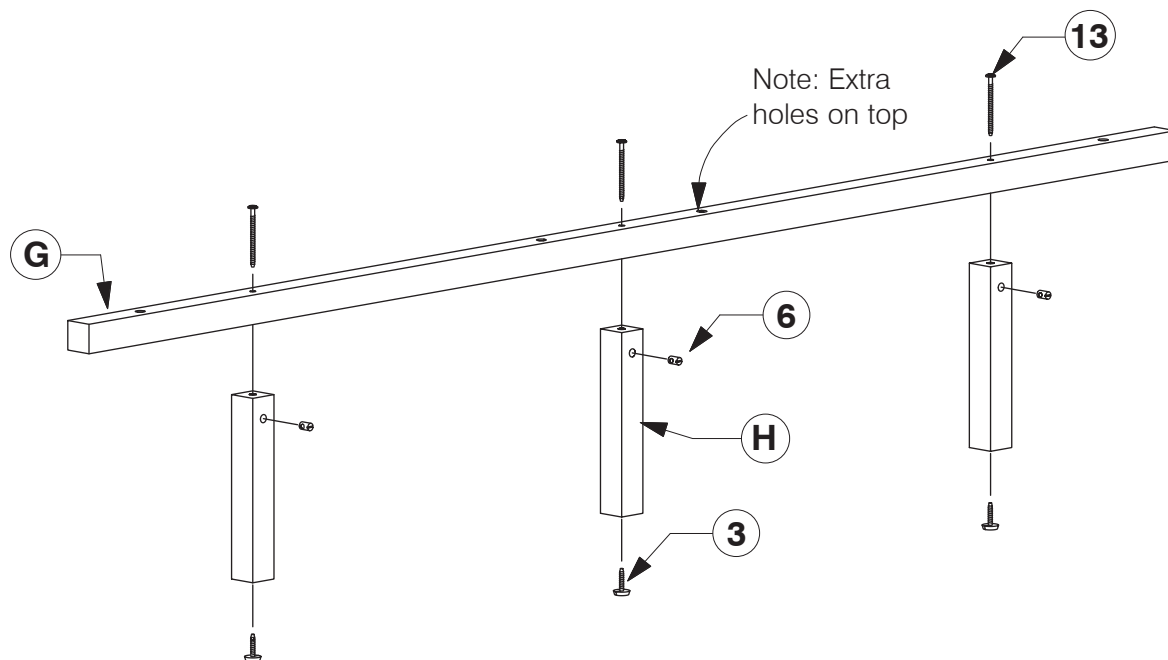


Parts in Box B :



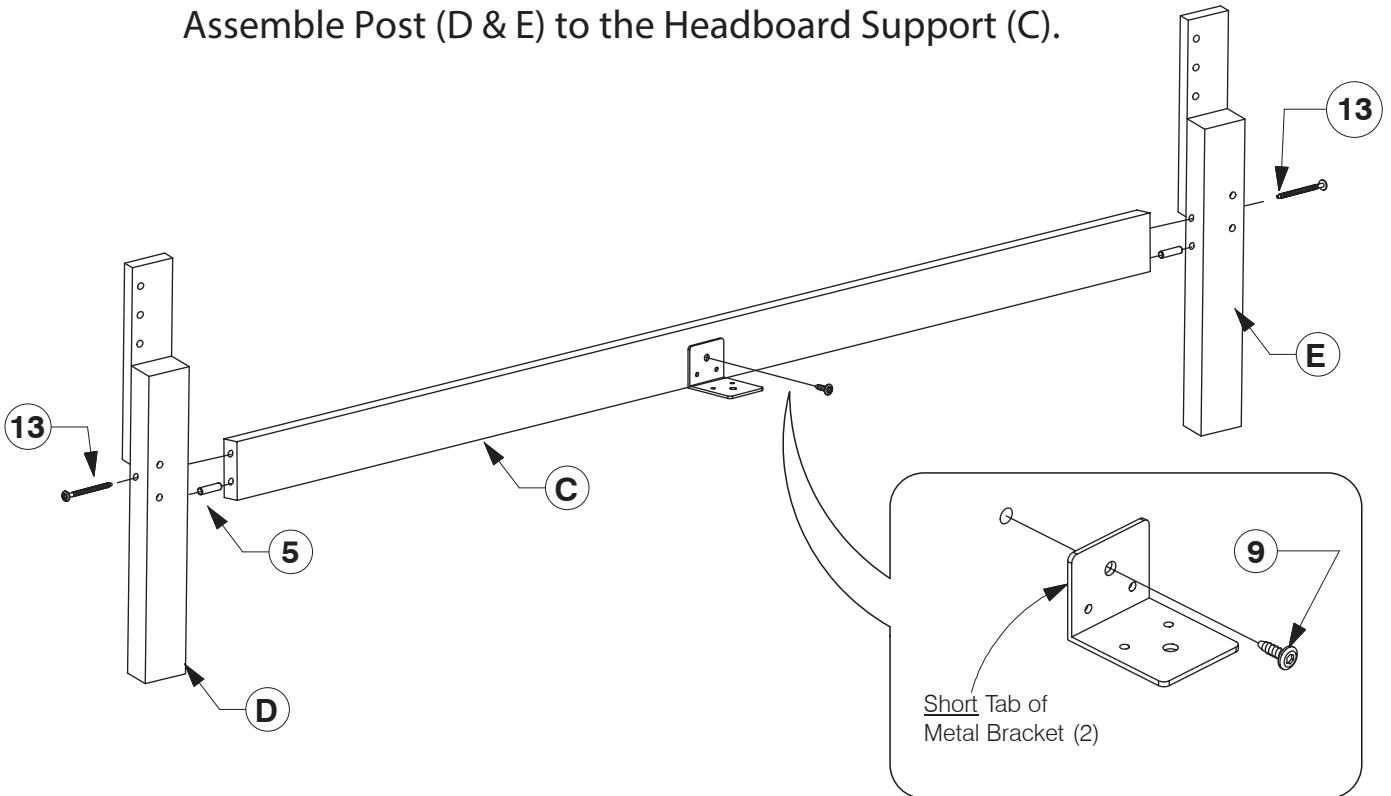
Assembly:

Step 1: Assembled the Support Leg (H) to the Long Support (G).

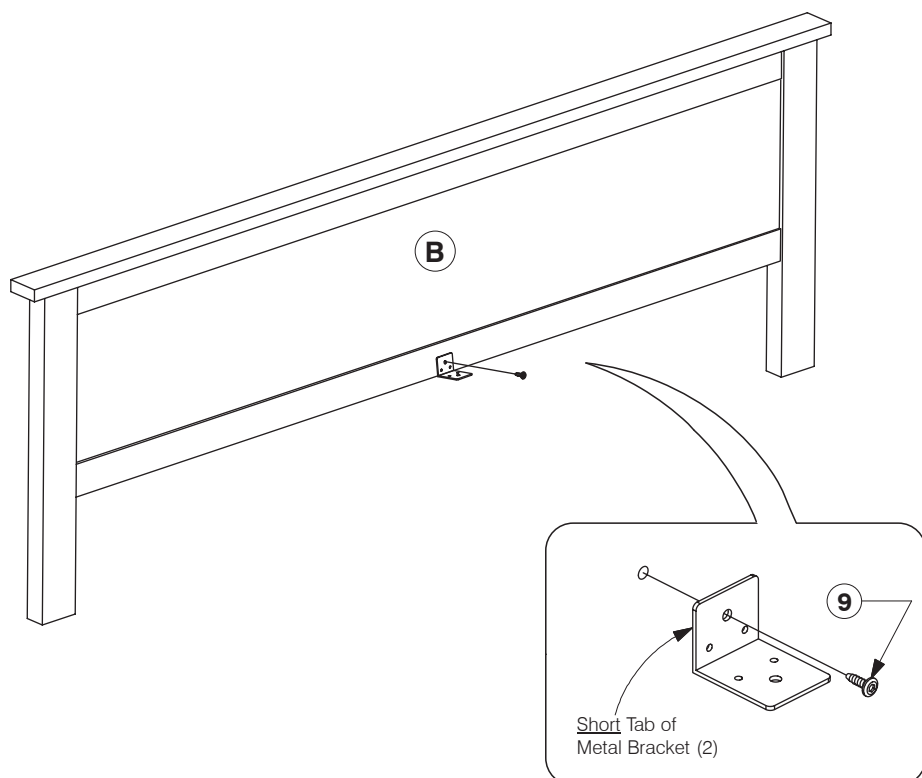


Product Name: Modern Gray Upholstered Queen Bed Headboard and Wood Footboard Set

Step 2: Fit the Center Rail Bracket (2) to the Headboard Support (C).
Assemble Post (D & E) to the Headboard Support (C).

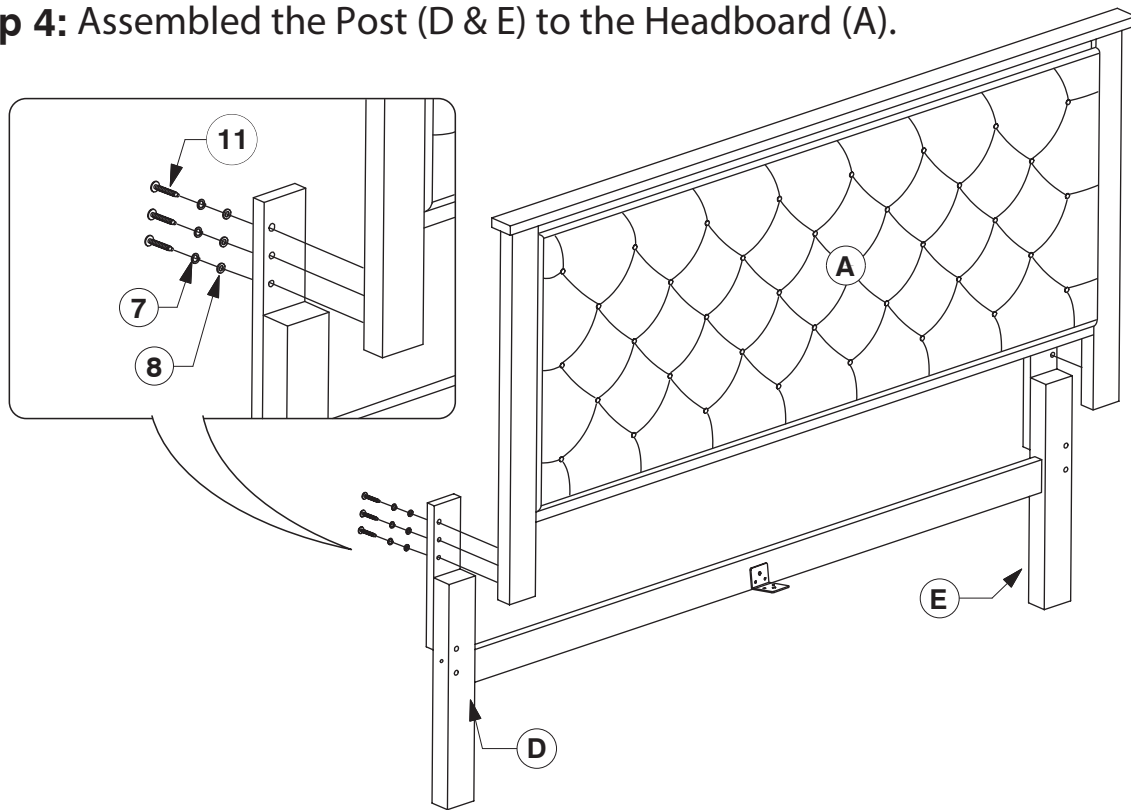


Step 3: Fit the Centre Rail Bracket (2) to the Footboard Panel (B).

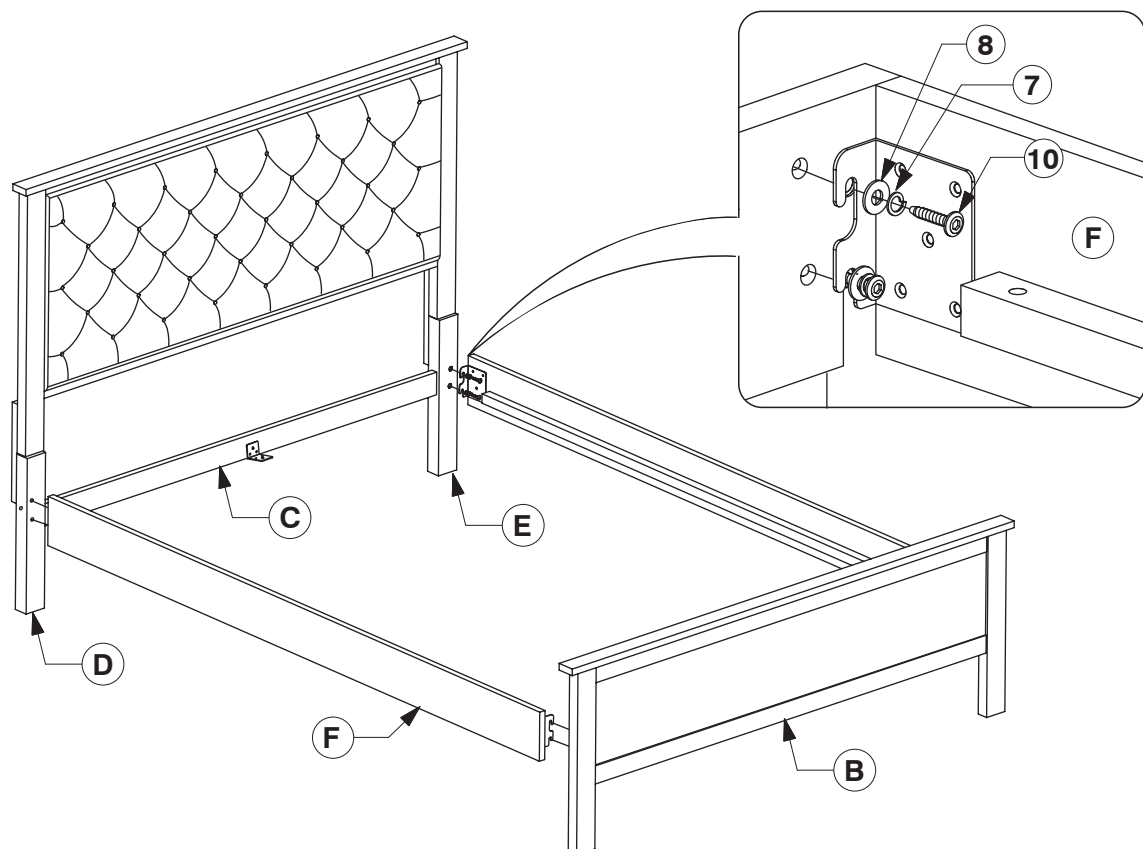


Product Name: Modern Gray Upholstered Queen Bed Headboard and Wood Footboard Set

Step 4: Assembled the Post (D & E) to the Headboard (A).

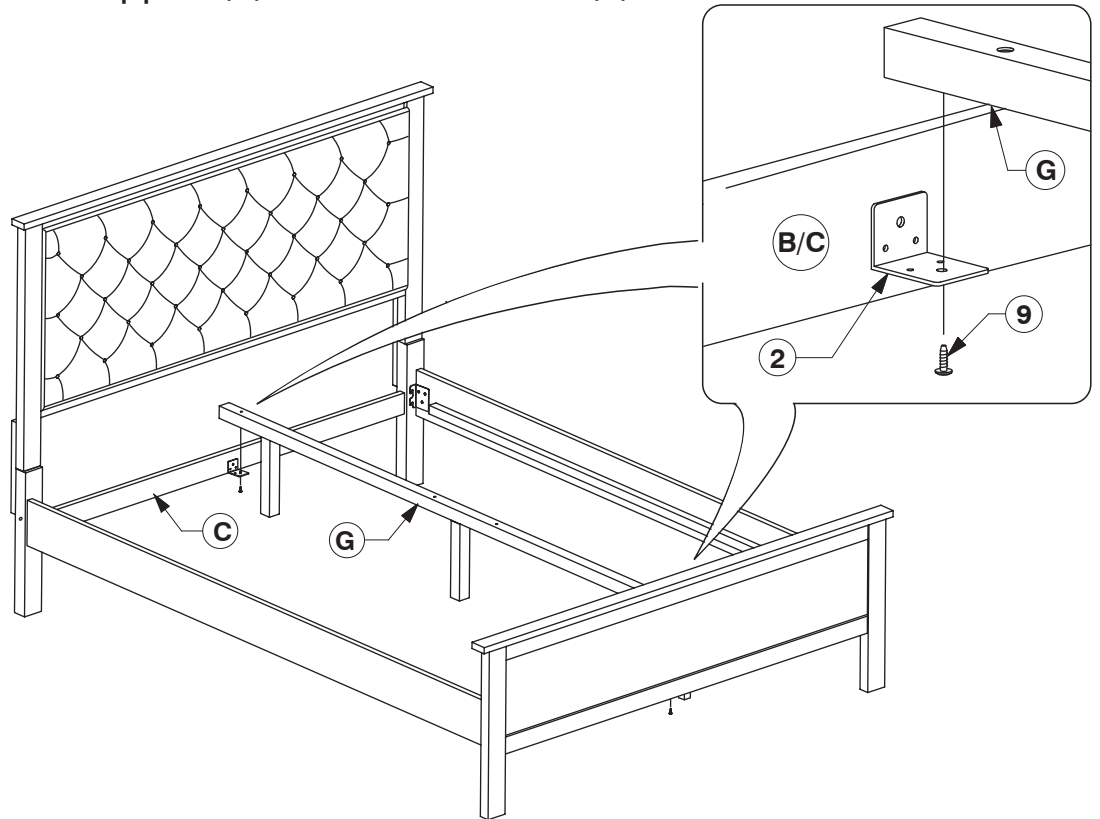


Step 5: Assemble the Side Rail (F) to the Post (D & E) & Footboard Panel (B).



Product Name: Modern Gray Upholstered Queen Bed Headboard and Wood Footboard Set

Step 6: Bolt the Long Support (G) to the Center Rail Bracket (2) on the Headboard Support (C) & Footboard Panel (B).



Step 7: Bolt & Screw the Bed Slats (J) to the Side Rail (F).

