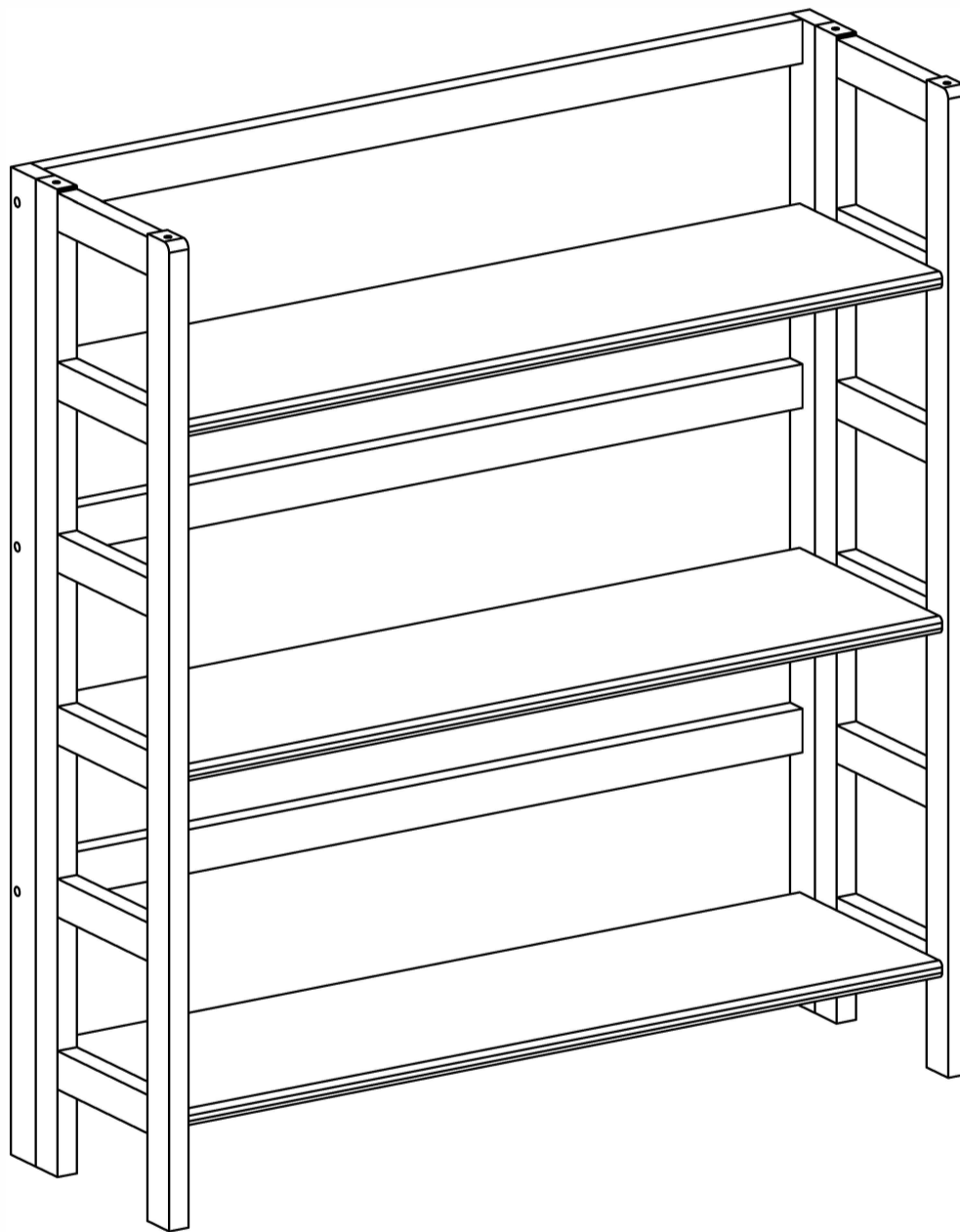


ASSEMBLY INSTRUCTIONS

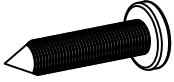
ACACIA STACKABLE FOLDING BOOKCASE - BLACK

Place all parts on a clean and soft surface such as a rug or carpet to avoid scratching during assembly. Please follow all assembly instructions step by step. It is best to use a screwdriver as opposed to a drill during assembly to avoid over tightening or stripping screws/bolts.

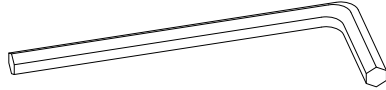


hardware

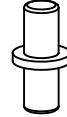
(H1) - bolt
qty. 6 pcs



(H2) - allen key
qty. 1 pc

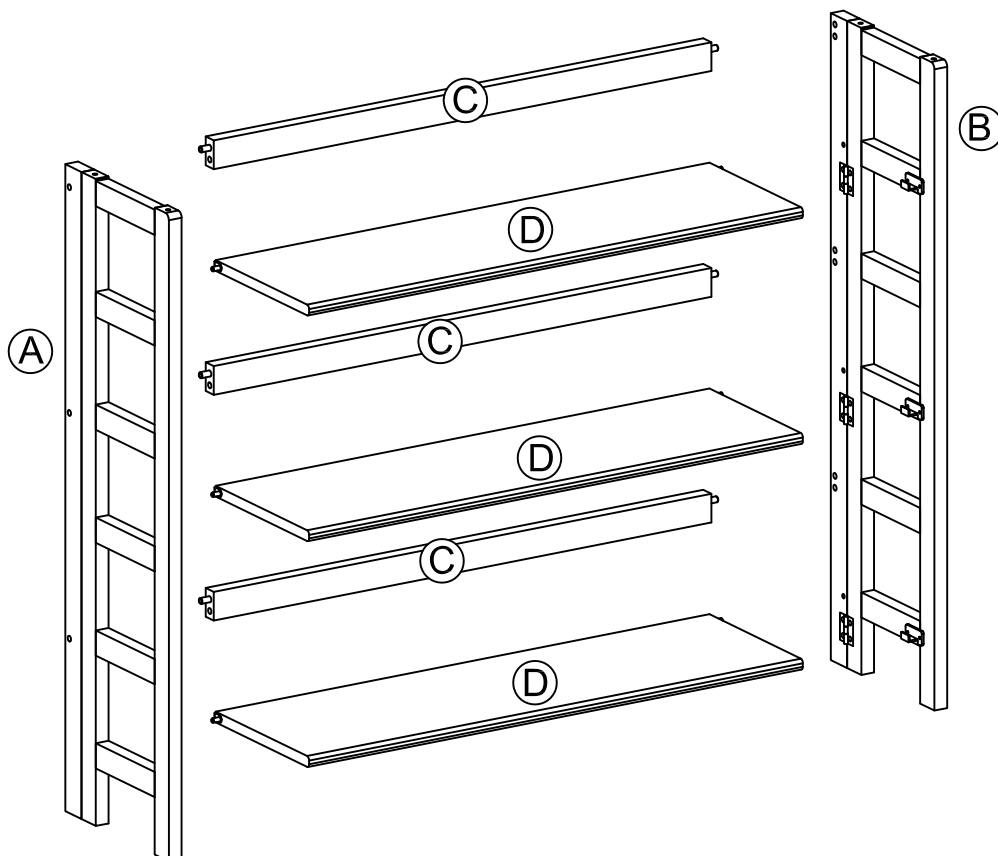


(H3) - iron pin
qty. 4 pcs

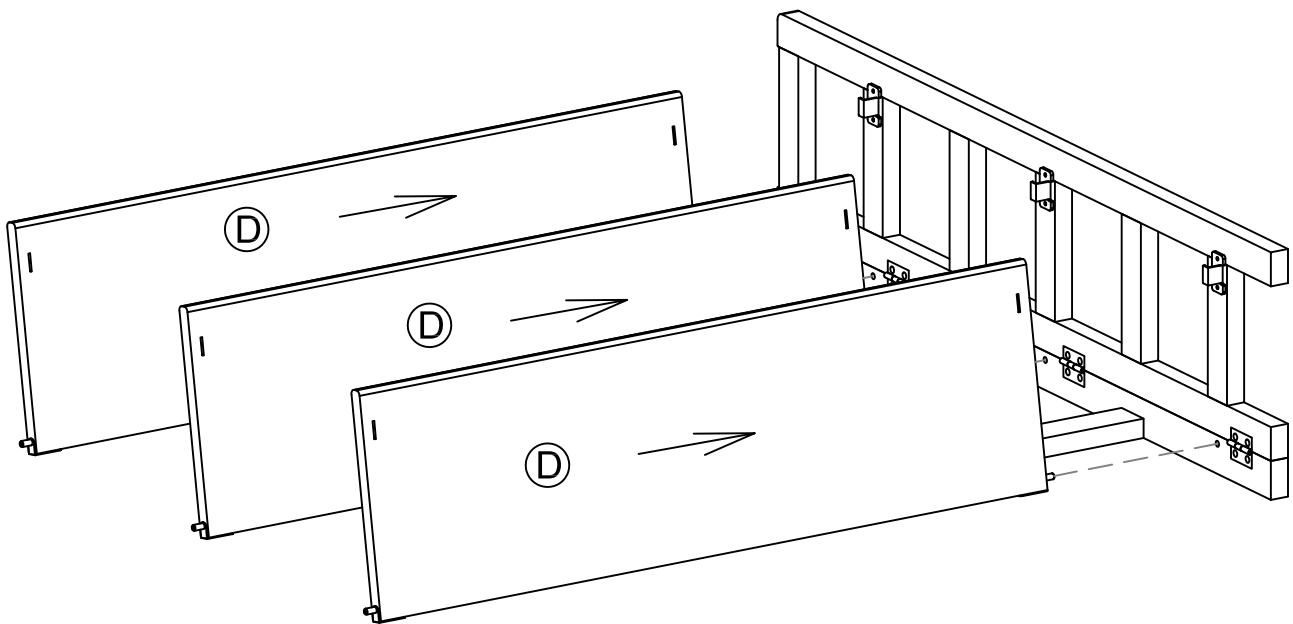
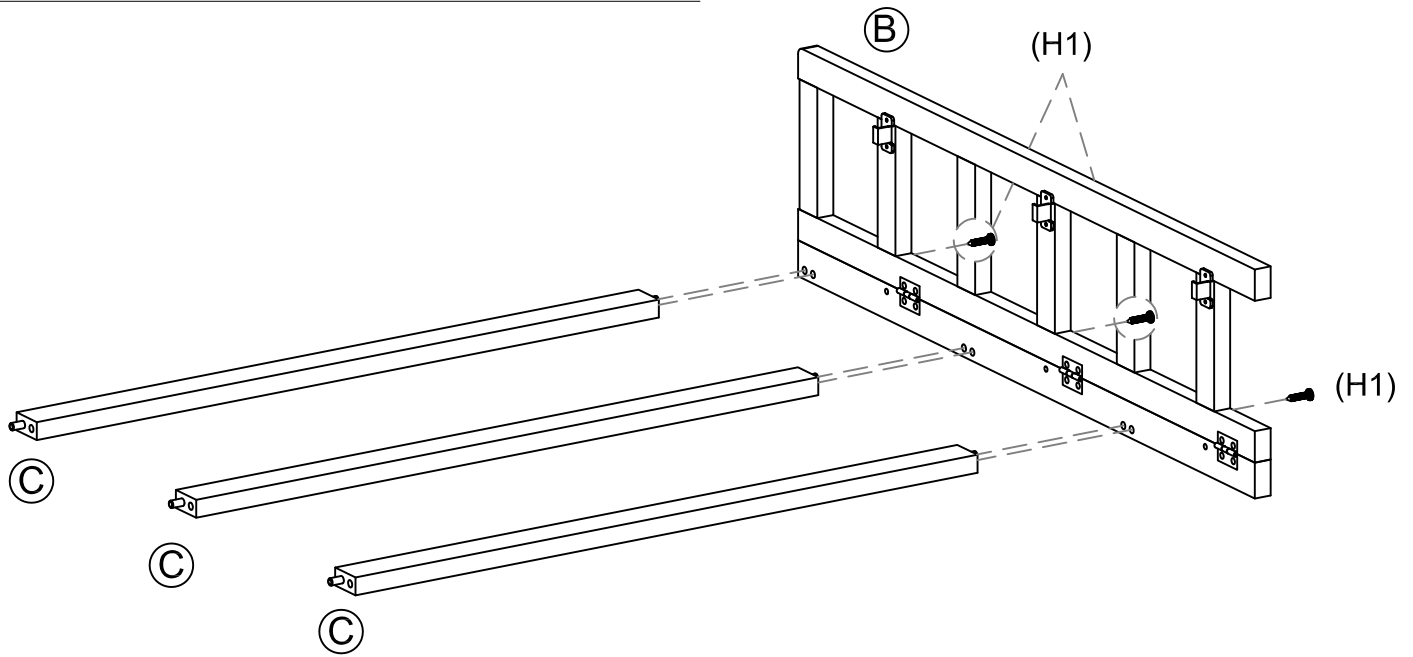


part list

ITEM	DESCRIPTION	QUANTITY
A	Left frame	1
B	Right frame	1
C	Rails	3
D	Shelves	3

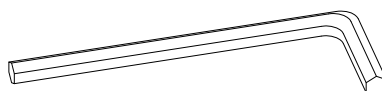
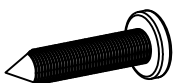


STEP 1.

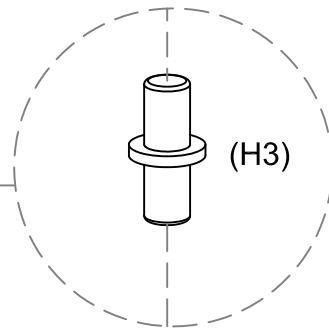
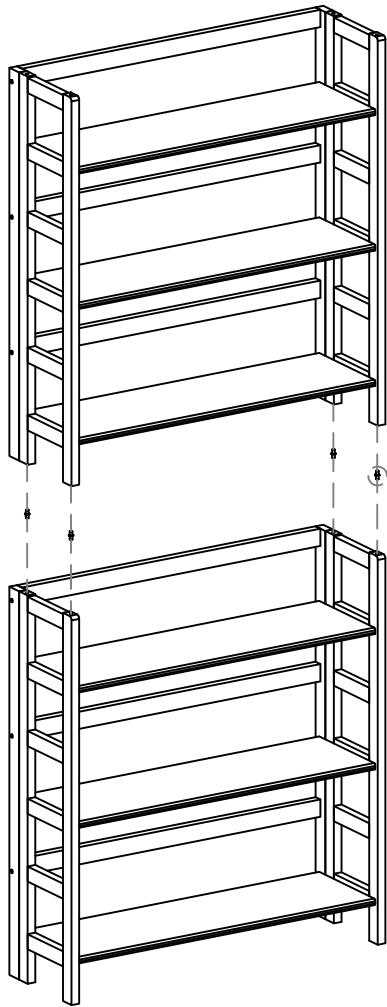
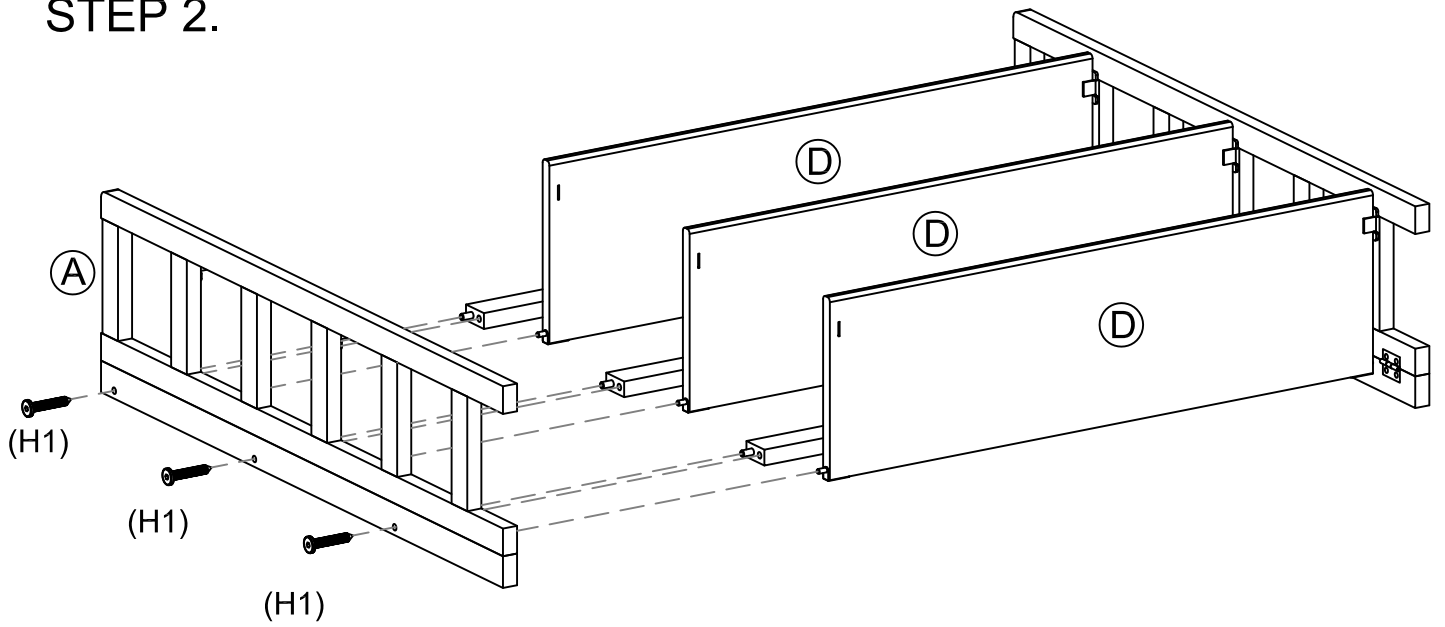


(H1) - bolt
qty. 3 pcs

(H2) - allen key
qty. 1 pc



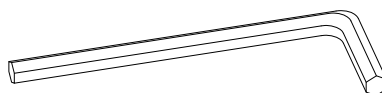
STEP 2.



(H1) - bolt
qty. 3 pcs



(H2) - allen key
qty. 1 pc



(H3) - iron pin
qty. 4 pcs

