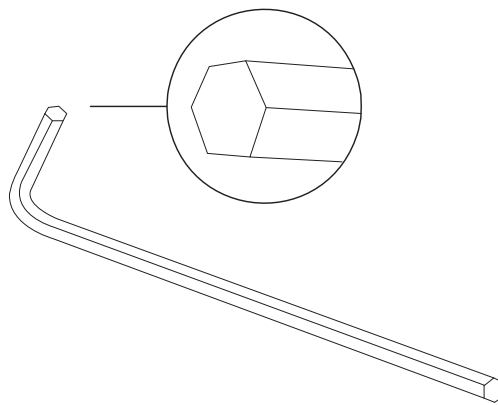


Attention:Don't tighten the screw before all screws are in place

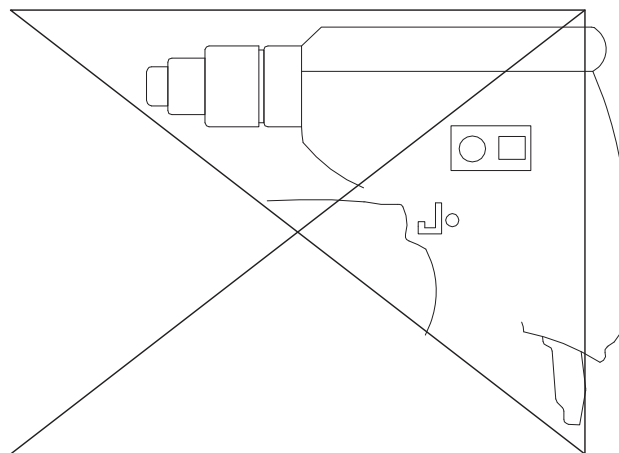
USER'S MANUAL  
WF315414

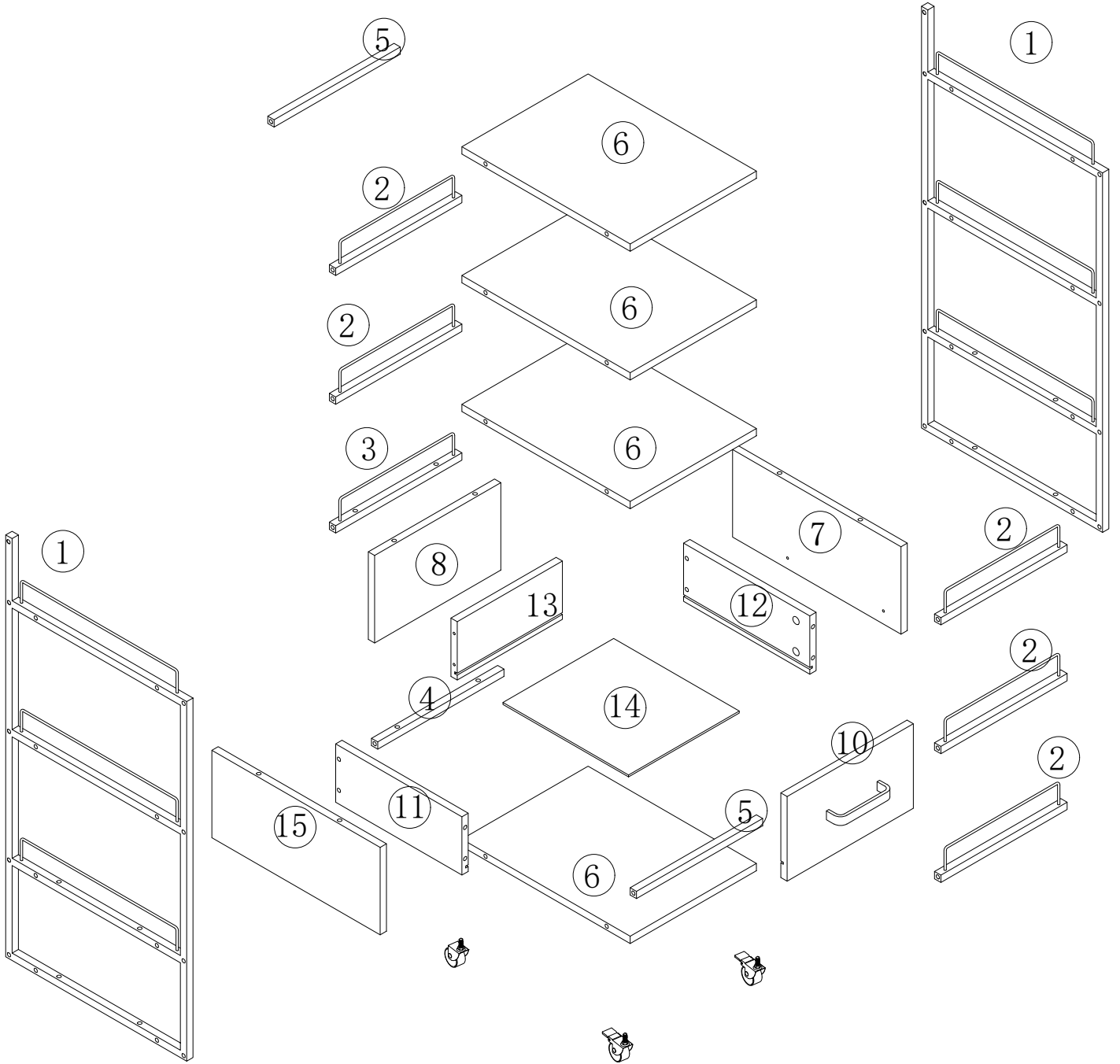
# General Assembly Guidelines

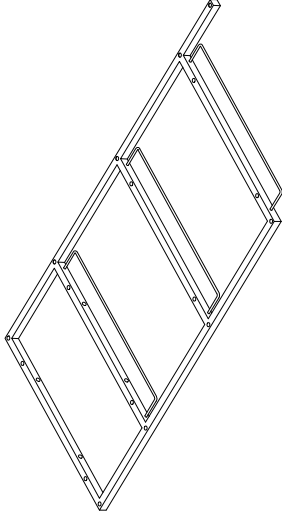
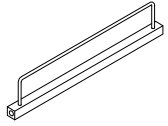
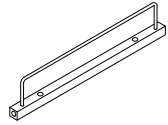
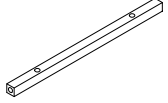
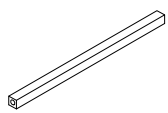
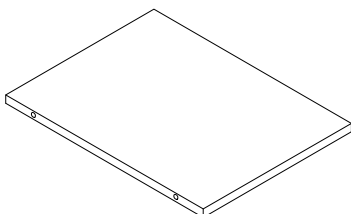
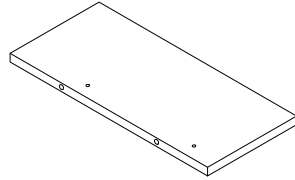
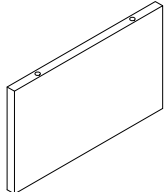
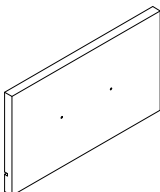
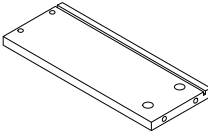
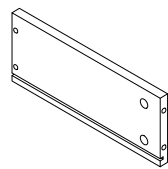
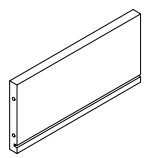
- I. Ensure that all parts and hardware are available before beginning assembly.
- II. Follow each step carefully to ensure the proper assembly of this product.
- III. Two people are recommended for ease in the assembly of this product.
- IV. The three main types of hardware used to assemble this product are : wood dowels , screws and bolts.
- VI. A Phillips head screwdriver is required for the assembly of this product .

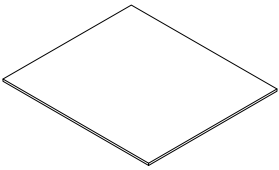
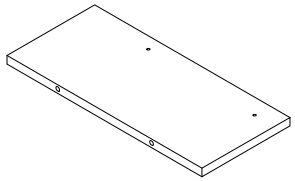



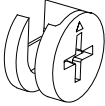
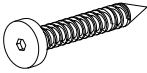
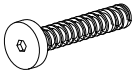
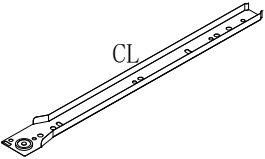
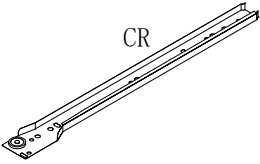
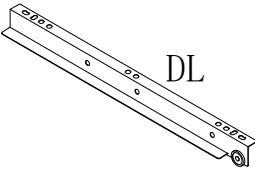
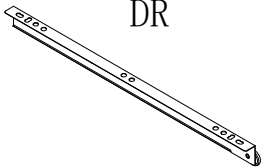
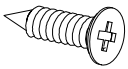
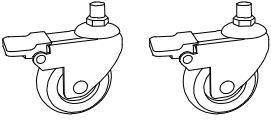
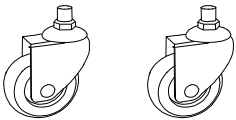

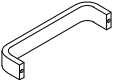
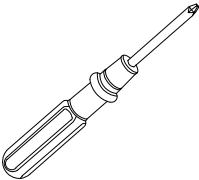

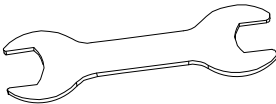
- VII. Power tools should not be used to assemble this product .



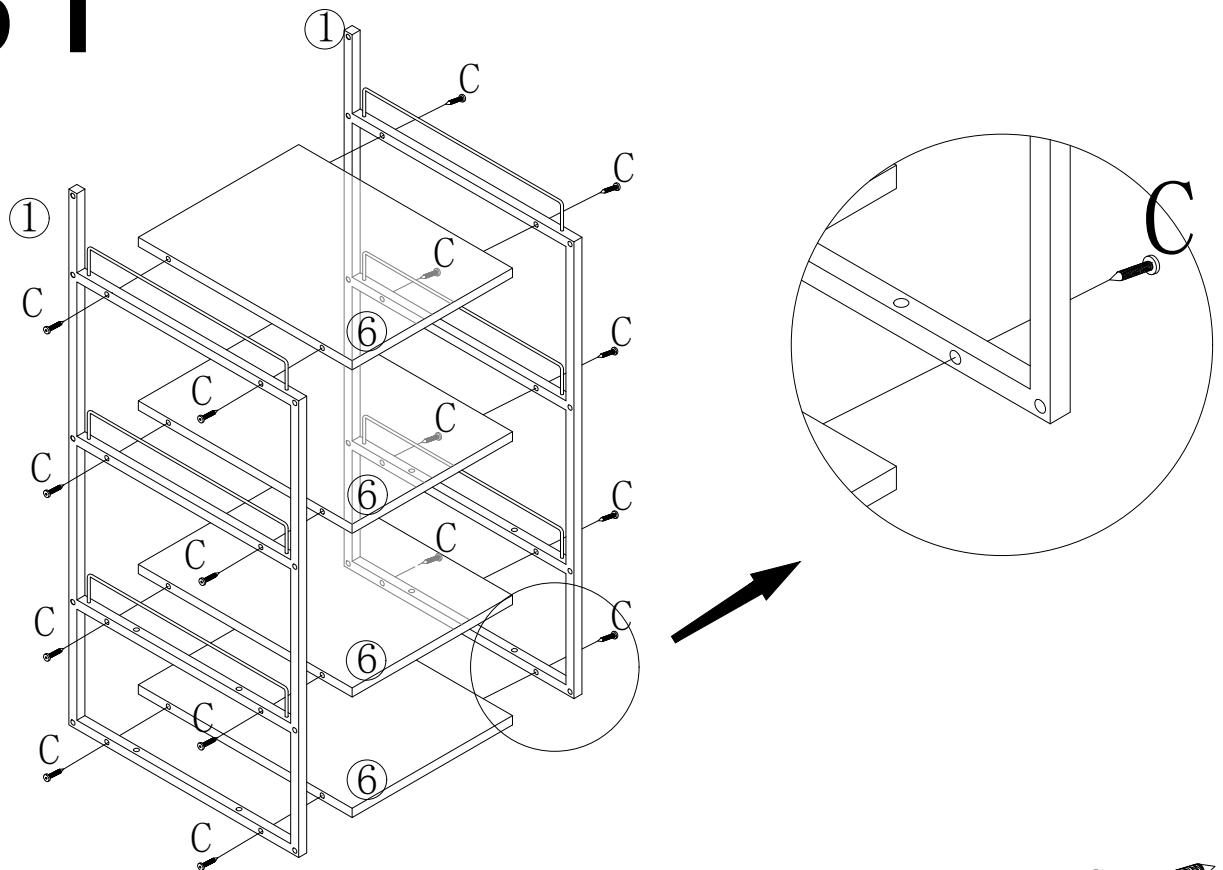


<p>① X2</p>  <p>868*430*15 (MM)</p>	<p>② X5</p>  <p>300*15*15 (MM)</p>	<p>③ X1</p>  <p>300*15*15 (MM)</p>	<p>④ X1</p>  <p>300*15*15 (MM)</p>
<p>⑤ X2</p>  <p>300*15*15 (MM)</p>	<p>⑥ X4</p>  <p>400*300*15 (MM)</p>	<p>⑦ X1</p>  <p>400*180*15 (MM)</p>	<p>⑧ X1</p>  <p>300*180*15 (MM)</p>
<p>⑩ X1</p>  <p>300*180*15 (MM)</p>	<p>⑪ X1</p>  <p>300*99*15 (MM)</p>	<p>⑫ X1</p>  <p>300*99*15 (MM)</p>	<p>⑬ X1</p>  <p>245*99*15 (MM)</p>

<p>⑭ X1</p>  <p>294*252*3 (MM)</p>	<p>⑮ X1</p>  <p>400*180*15 (MM)</p>		

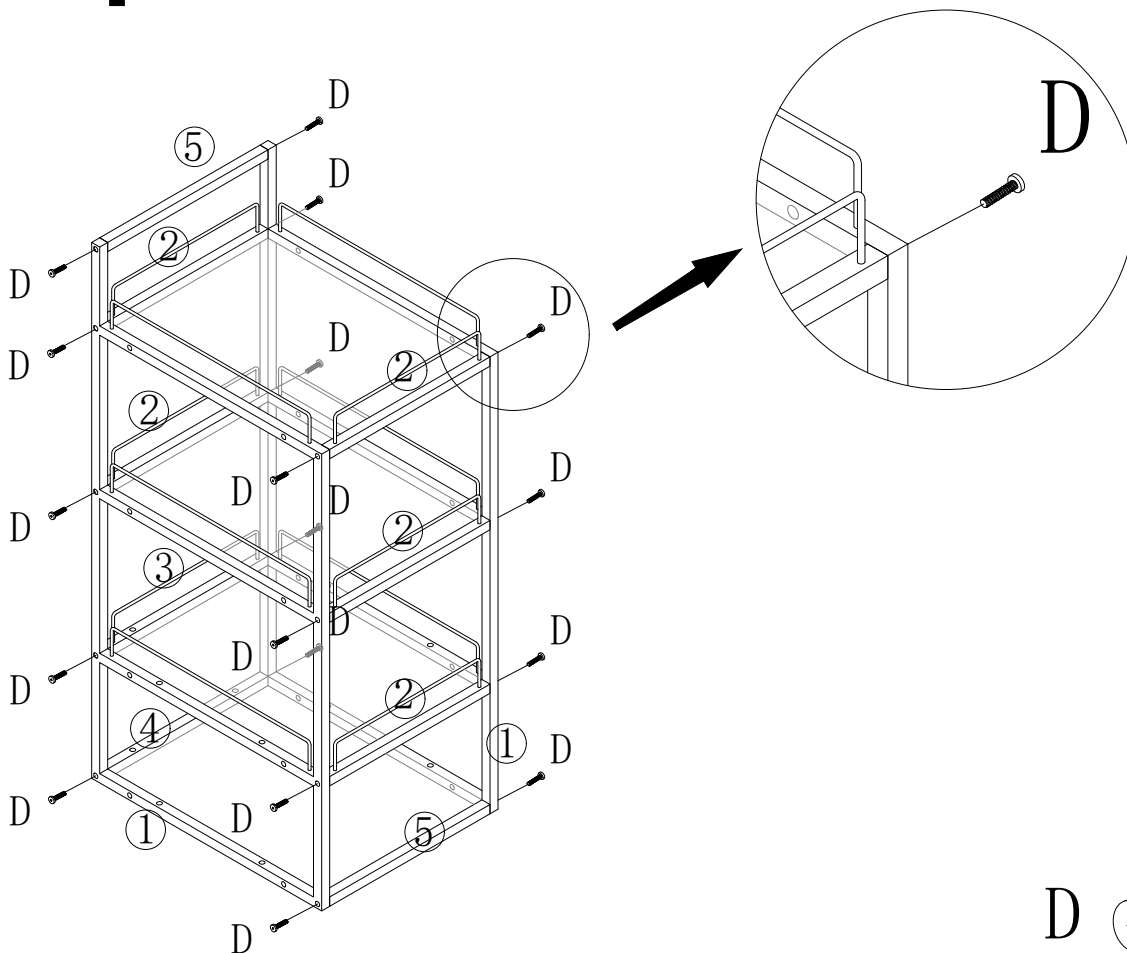
<p>(A)</p>  <p>4PCS</p>	<p>(B)</p>  <p>4PCS</p>	<p>(C)</p>  <p>M5*30 32PCS</p>	<p>(D)</p>  <p>M6*28 18PCS</p>
<p>(CL)</p>  <p>1PCS</p>	<p>(CR)</p>  <p>1PCS</p>	<p>(DL)</p>  <p>1PCS</p>	<p>(DR)</p>  <p>1PCS</p>
<p>(E)</p>  <p>M3.5*14 8PCS</p>	<p>(J)</p>  <p>2PCS</p> <p>(I)</p>  <p>2PCS</p>	<p>(G)</p>  <p>M4*18 2PCS</p>	<p>(H)</p>  <p>1PCS</p>
			

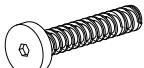
# Step 1



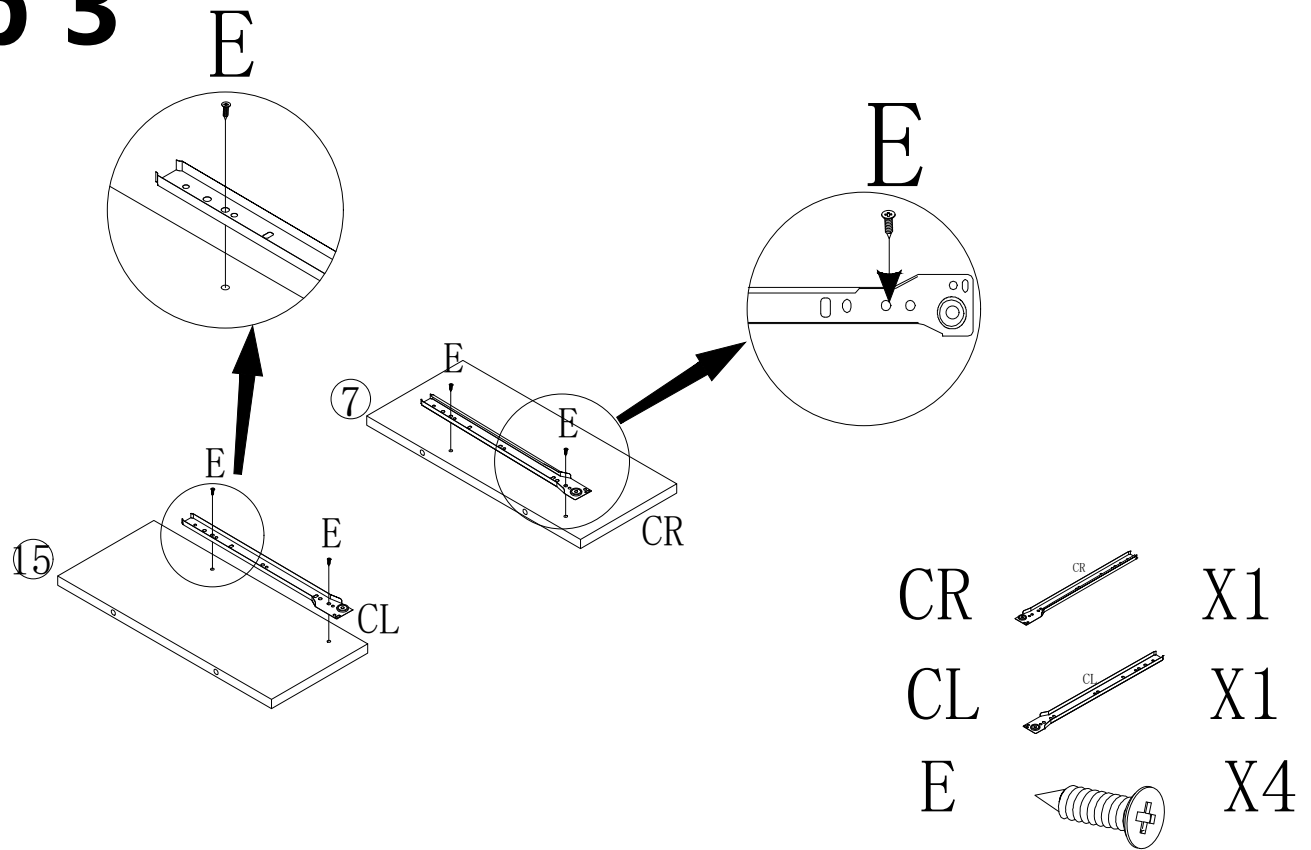
C  X16

# Step 2

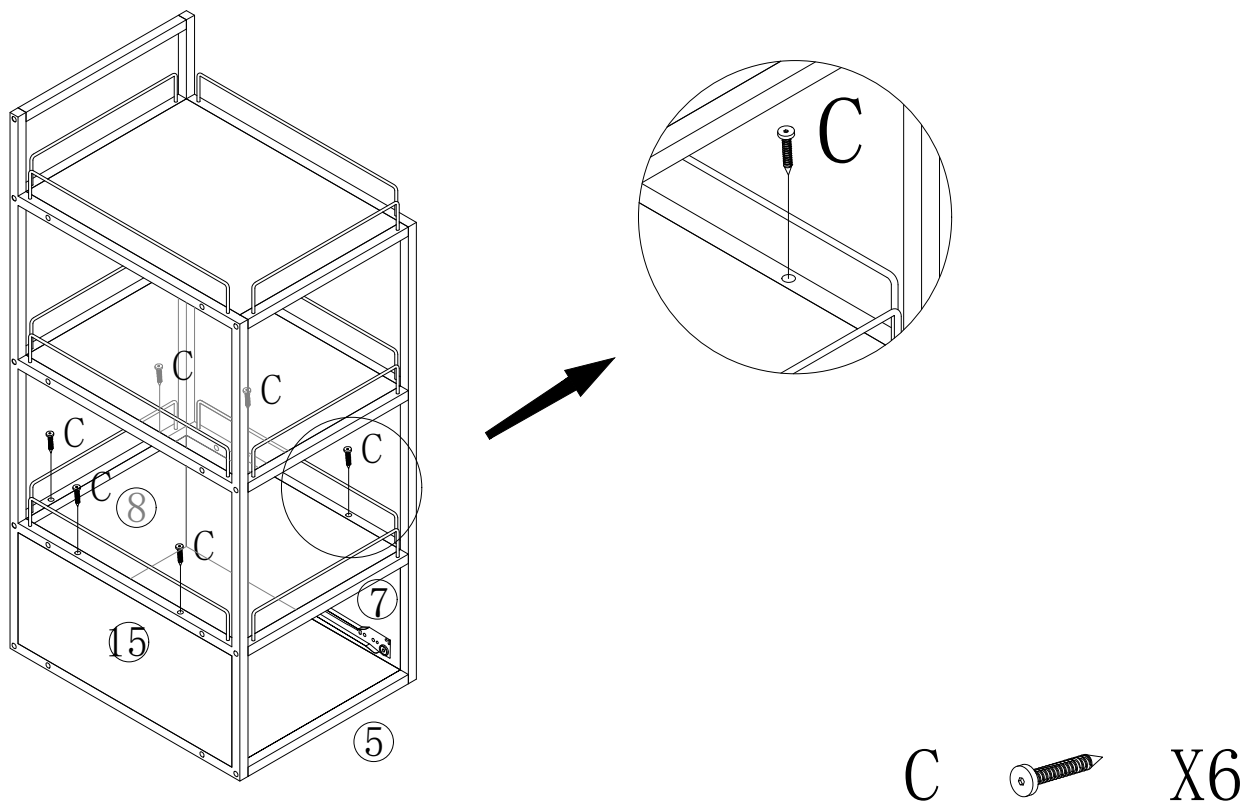


D  X18

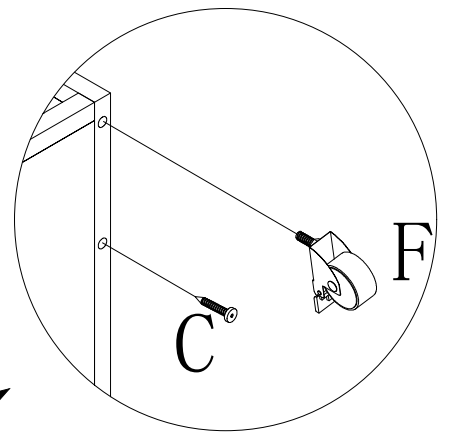
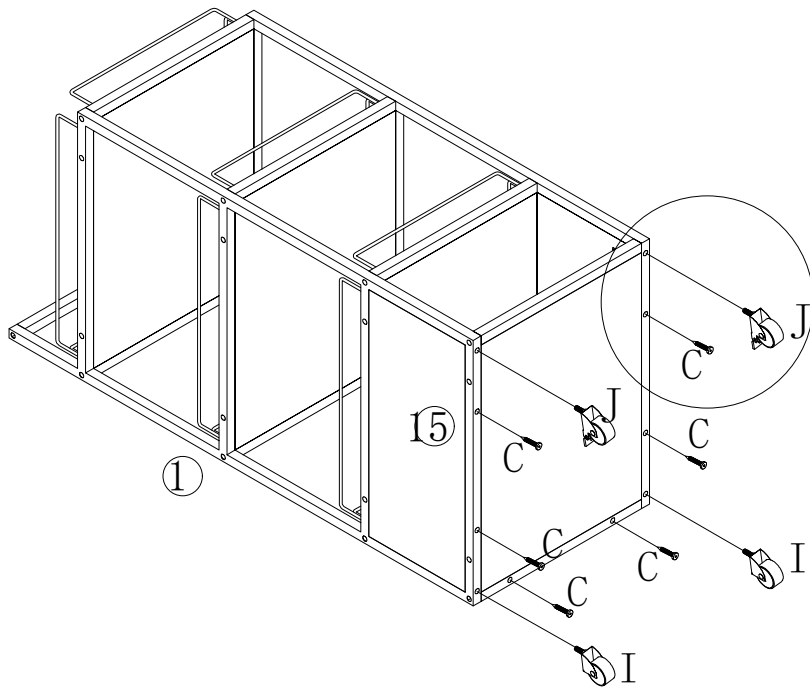
# Step 3






# Step 4

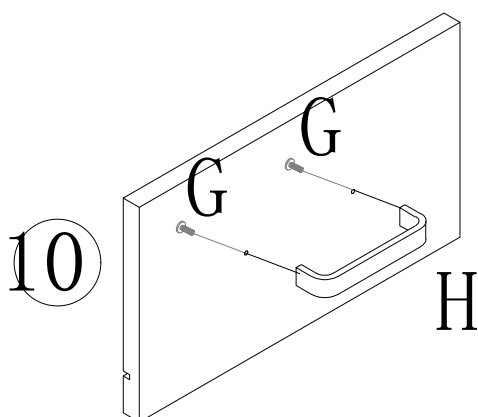
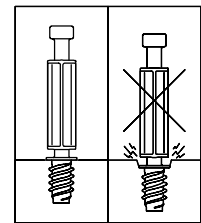
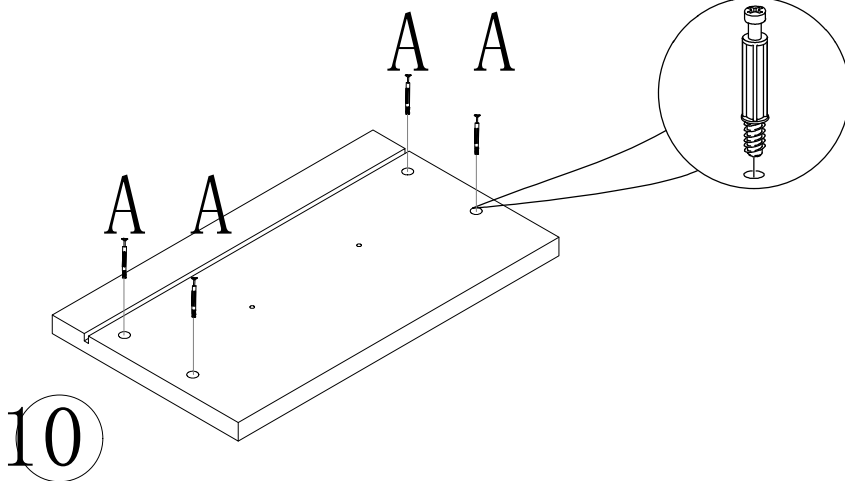
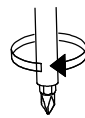




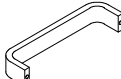
# Step 5



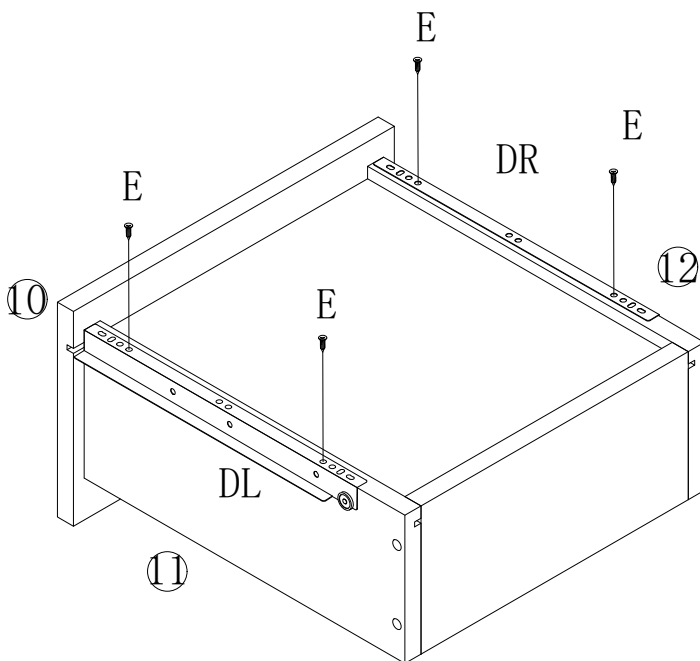
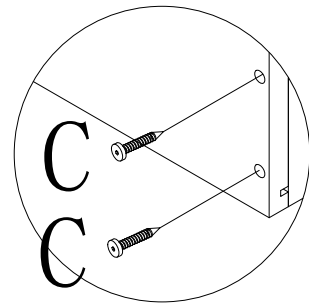
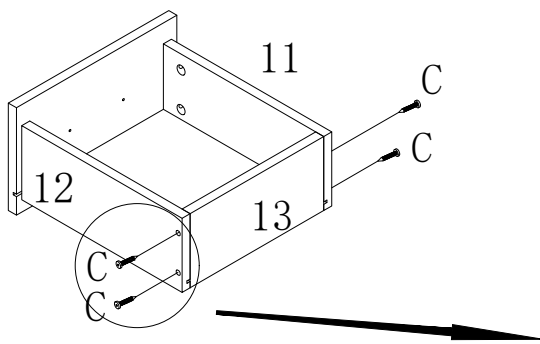
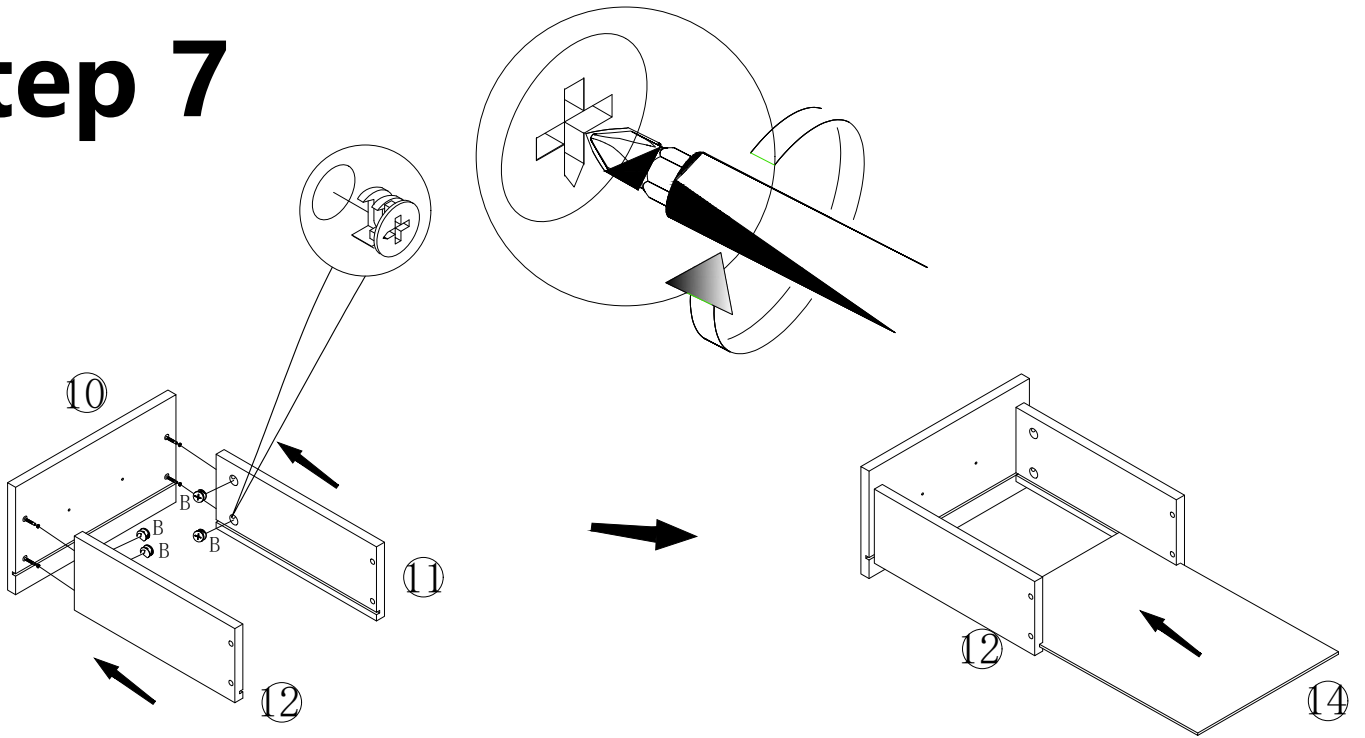
- C  X6
- J  X2
- I  X2


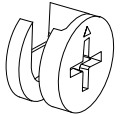
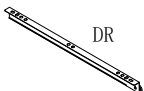
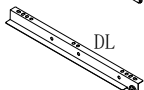
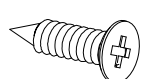
# Step 6



- A  X4
- G  X2
- H  X1

# Step 7



- |    |   |    |
|----|---|----|
| C  |  | X4 |
| B  |  | X4 |
| DR |  | X1 |
| DL |  | X1 |
| E  |  | X4 |

# Step 8

