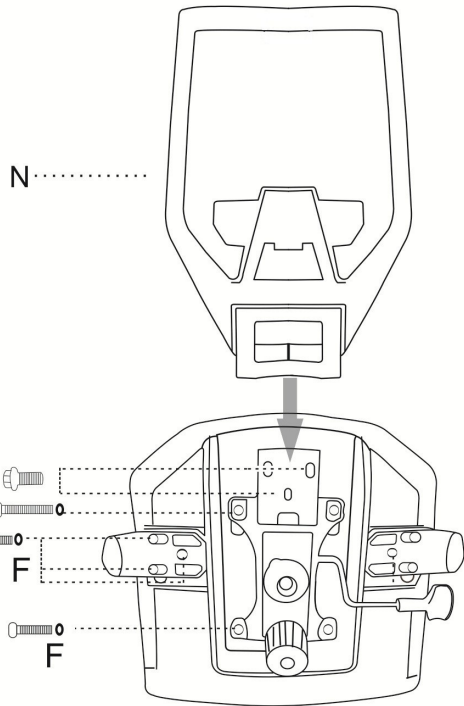
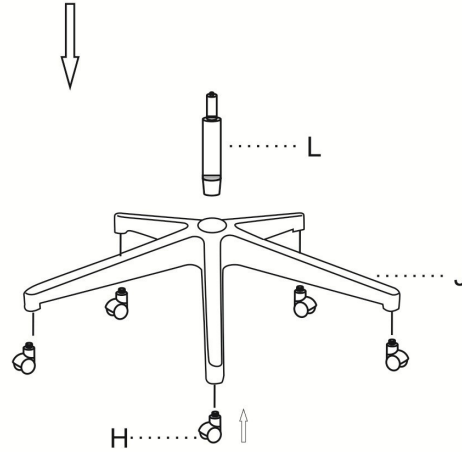


# ASSEMBLY INSTRUCTION

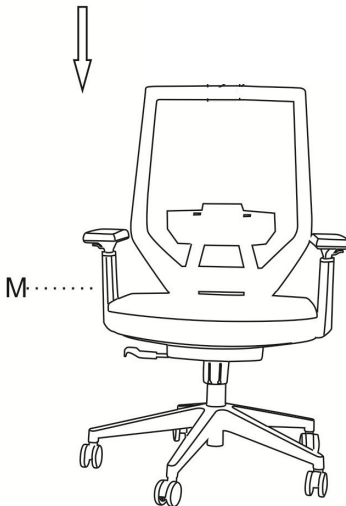
1



2



3



			pcs			pcs
A		6x45mm	6	H		5
C		6x35mm	4			
D		8x20mm	3	J		1
				K		1
F			10	L		1
G			1	M		2
O			1	N		1