

Per Seat Weight Limitation

**100 LBS**

**ITEM NO. NSCS1541D**

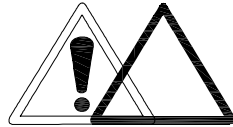
Thank You For Choosing Our Furniture

- ▾ If you have any questions or concerns,  
don't hesitate to reach out to us. ▾

NOTE:






This brochure contains  
**IMPORTANT** safety info.  
Please read and keep it  
for future reference.

# MAINTAINANCE AND WARNINGS



## Before You Start

### *Please follow the steps below:*




-  Check the packaging for any damage, deformation, or water stains. If there is significant damage, please contact us promptly.
-  Open the packaging and confirm that the panels, hardware, screws, etc are complete.
-  Please read the installation instructions carefully to understand the installation steps and precautions to ensure proper installation.
-  Clean the installation area in advance and ensure the ground is level and there is enough space to avoid damaging the furniture or making installation difficult.
-  Lay a protective mat on the ground to prevent scratching the floor during installation.

### *After-Sales Service*

- If you encounter any issues or need technical support during use, please contact our after-sales team. We offer long-term maintenance and warranty services.





## Precautions

-  This product for indoor use only. Do not expose it to outdoor elements or high-humidity environments.
-  Keep the product away from high heat or open flames to prevent fire hazards.
-  Do not allow children to climb on the product to prevent personal injury caused by tipping



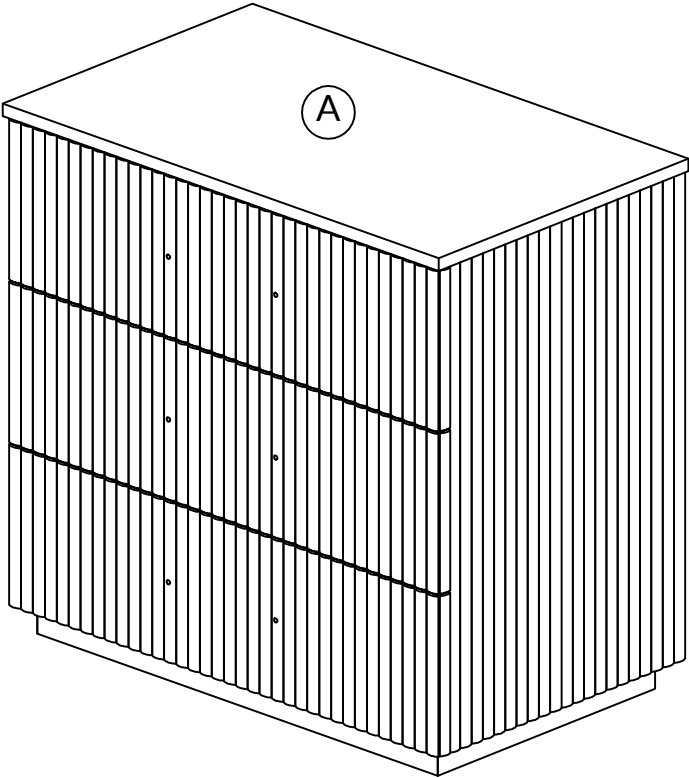
## Safety Warnings

-  If you notice any loose or damaged parts, stop using the product immediately and contact customer service.
-  Do not attempt to disassemble or replace any components yourself, as this may affect the stability and safety of the product.

### ***Daily Maintenance***

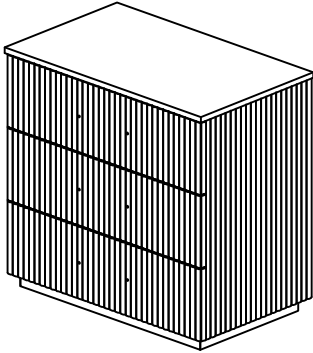
- Regularly clean the surface of the sofa with a soft cloth to prevent dust accumulation.
- Do not use cleaning agents containing acids, alkalis, or corrosive substances, as they may damage the surface. It is recommended to use neutral cleaning agents or specialized furniture cleaners
- Avoid exposing furniture to humid environments for extended periods to prevent swelling or deformation of the boards. Use a dehumidifier or desiccant during humid weather.
- Avoid direct contact of furniture with water. If water is accidentally spilled, wipe it dry immediately.
- Avoid placing excessively heavy objects on the furniture: ensure the weight is within a reasonable load-bearing range.
- Avoid using sharp or rough items on the furniture surface to prevent scratches, Handle items gently when moving them

***Explosive view***



**Parts list**

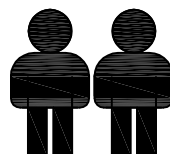
A



x1

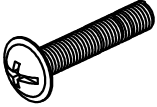
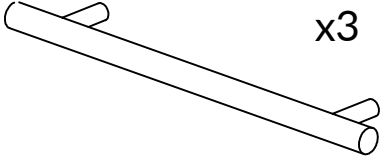
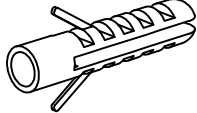
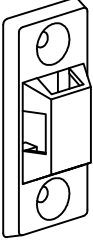
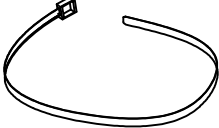
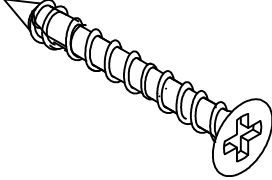
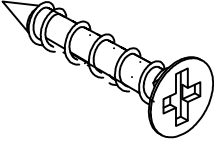
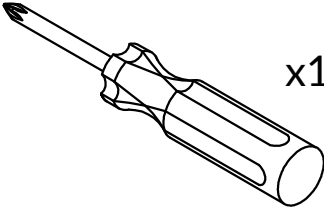


Installation:  
15minutes.



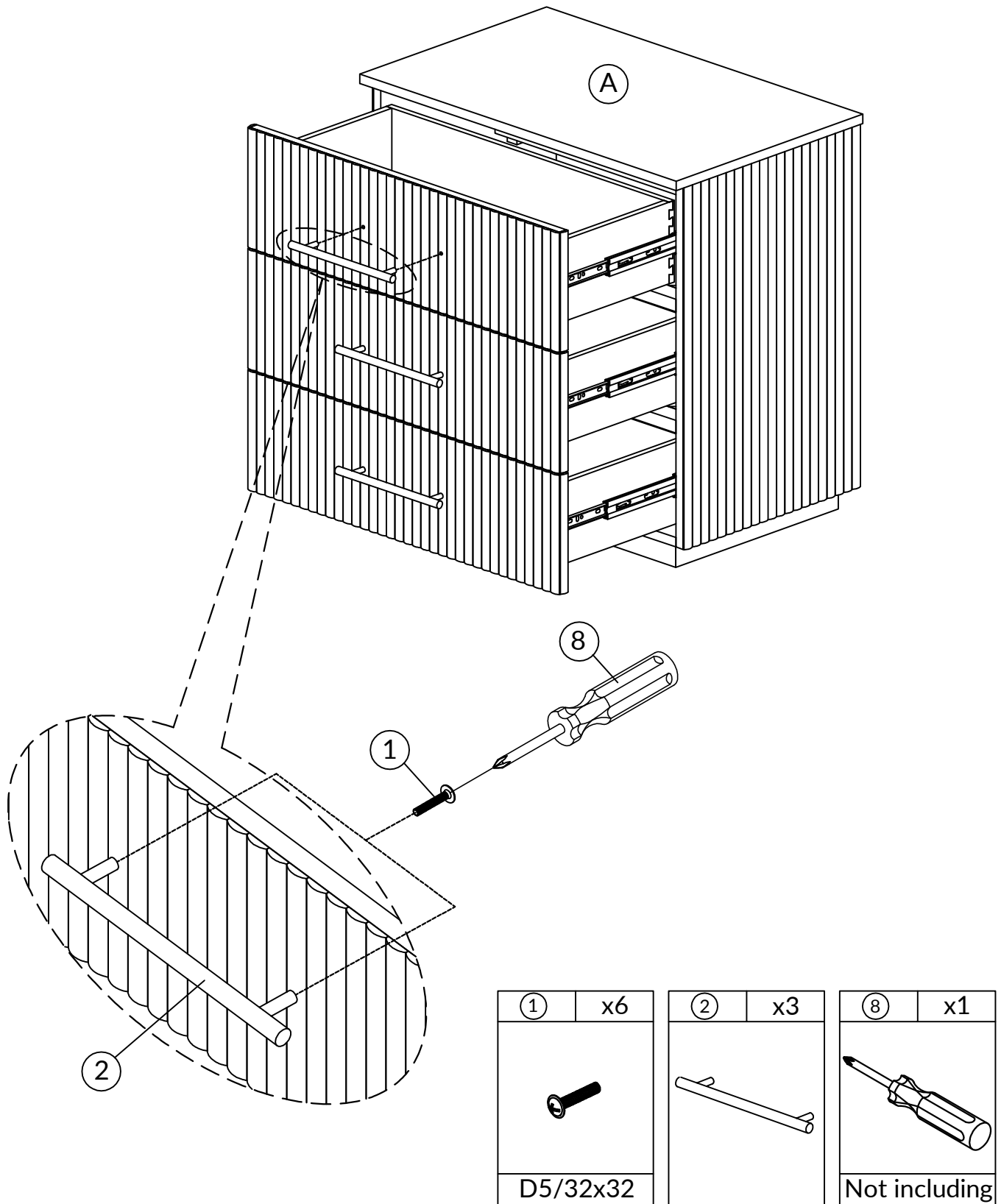
Two Person

# Hardware List

<p>①</p>  <p>x6</p> <p>D5/32x32mm</p>	<p>②</p>  <p>x3</p>	<p>③</p>  <p>x4</p>
<p>④</p>  <p>x4</p>	<p>⑤</p>  <p>x2</p>	<p>⑥</p>  <p>x4</p> <p>D4x38mm</p>
<p>⑦</p>  <p>x4</p> <p>D3x20mm</p>	<p>⑧</p>  <p>x1</p> <p>Not including</p>	

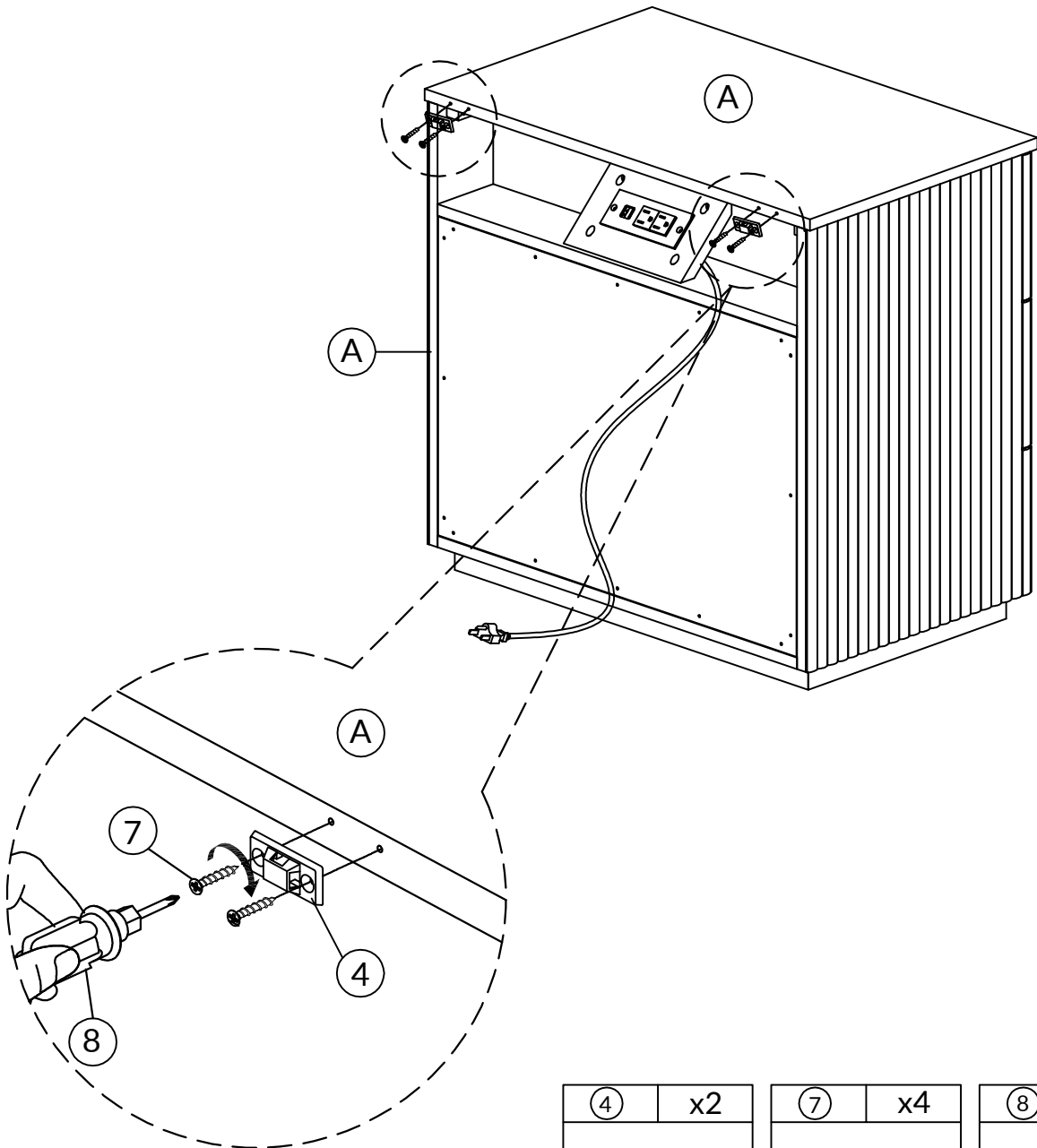
## Step 1

Insert part #2 into part (A), make sure all holes aligned and use screw #1 to attach them, tighten screw #1 with screwdriver #8.





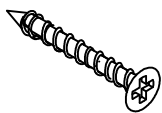
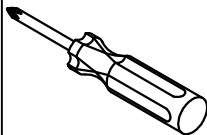
## Step 2

Use screw #7 to attach plastic bracket #4 to panel (A), make sure all holes aligned and tighten screw #7 with screwdriver #8.



④	x2	⑦	x4	⑧	x1
		D3x20mm		Not including	

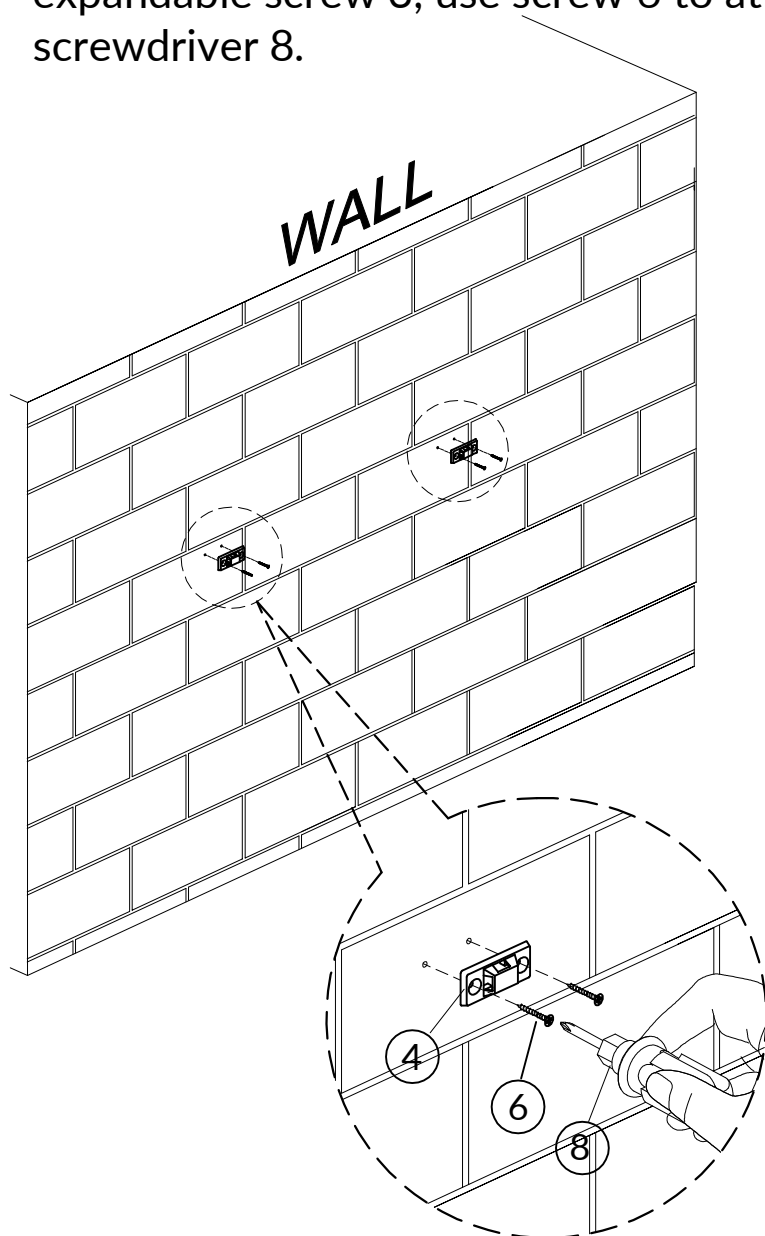
## Step 3

③	x4	④	x2	⑥	x4	⑧	x1
							
				D4x38mm		Not including	

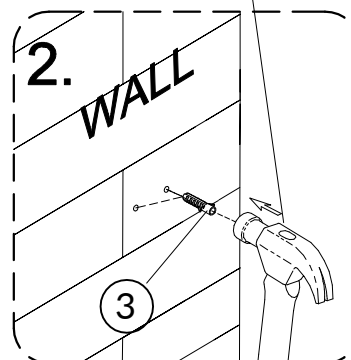
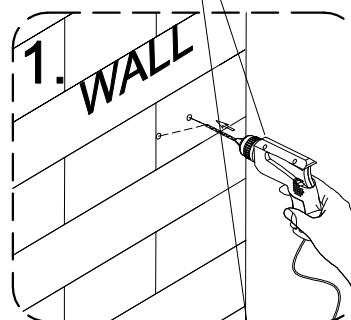
1. Install the anti-collapse device.

2. Mark the position on the wall, that corresponds to the location of part 4 on the of panel (A); Drill and insert the expandable screw 3 by hammer.

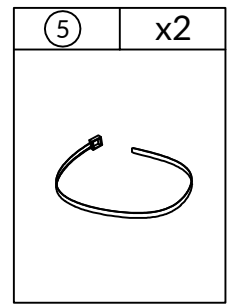
3. Assemble the part 4 to the wall. Align the hole in the part 4 with the expandable screw 3, use screw 6 to attach it and tighten by screwdriver 8.



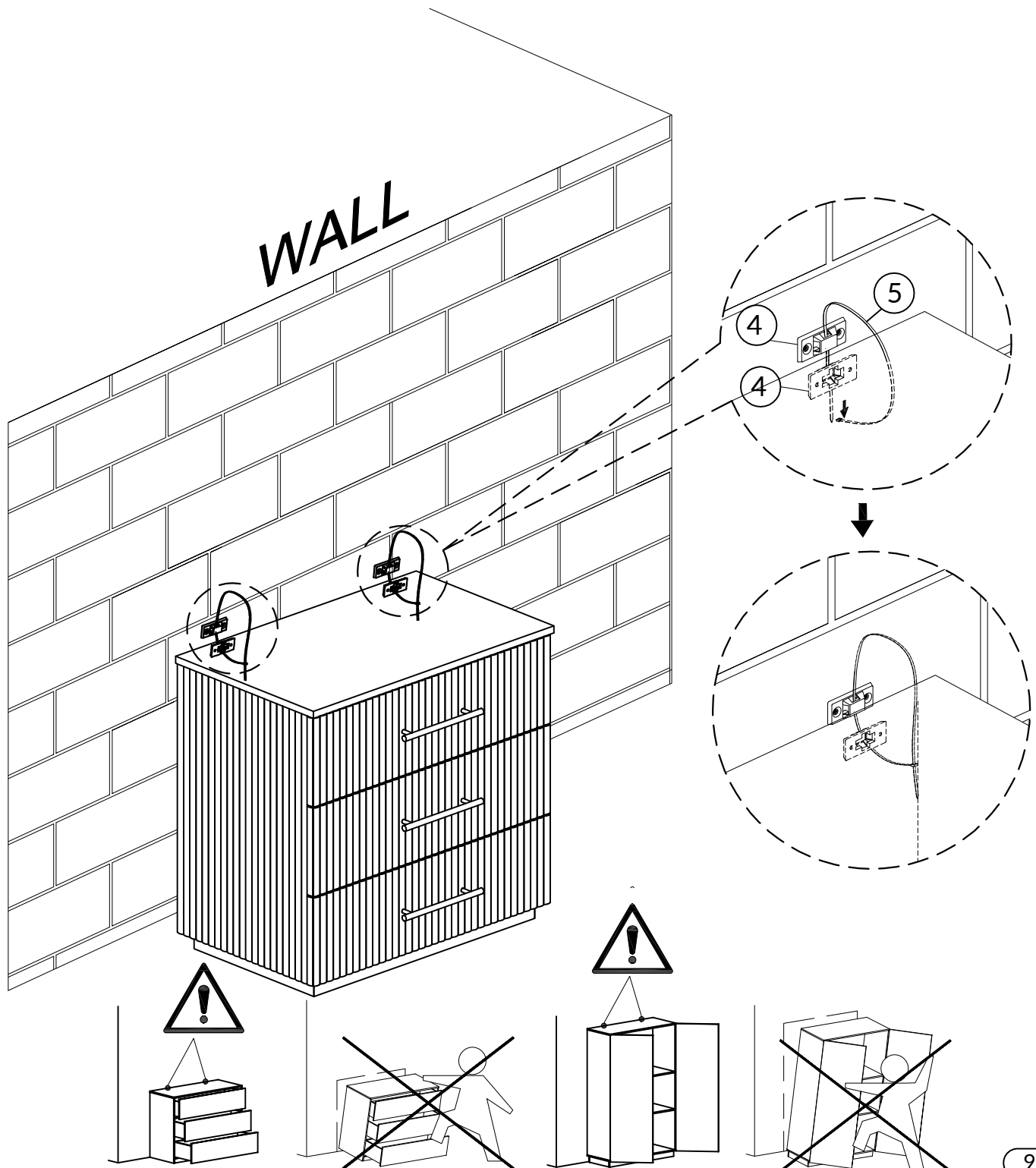
NOT PROVIDED



## Step 4



Let the plastic belt 5 pass through the both part 4 and pull tightly.



# WARRANTY

- We strive to offer quality products, and we also try our best to satisfy every customer who orders from us with products or services as needed.
- We provide 30 days warranty starting from the time you receive the item. Each customer must provide a record of their orders such as the order number, or item receipt for any items that are out of the warranty period you may also still receive.
- Replacement parts by purchasing them from our company if they are available.
- For return, please check the return policy with the retailer or market place you bought from

Appreciate your purchasing from us.  
Pop up your life by our furniture piece!