

Contents

Before Use

General Guidelines.....	03
Warning.....	03
Material Properties.....	03

Installation Guide

Assembly Instructions.....	03
Parts List.....	05
Accessories List.....	06
Exploded Views.....	04
Installation Steps.....	07

Operation

Use and Maintenance.....	19
Trouble Shooting.....	19

General Guidelines

- Please read the following instructions carefully and use the product accordingly.
- Please keep this manual and hand it over when you transfer the product.
- Product is intended for indoor use only. It must be assembled and used according to the instructions. The seller does not accept any responsibility for damage or injury resulting from improper assembly or use.
- This summary may not include every detail of all variations and considered steps.
- Please contact us when further information and helps are needed.

Warning

- Children are not allowed to assemble the product. During assembly, keep any small part out of reach of children as they may be fatal if swallowed or inhaled.
- Children are not allowed to stand, climb or play on the product to avoid serious bodily injury by the toppling.
- Keep plastic packing bags out of reach of children to avoid any potential danger, such as suffocation.
- Avoid sharp objects and corrosive chemicals to prevent damage to the product or bodily injury.

Material Properties

1. Solid Wood

Trees will have a unique texture, scar, color and other natural marks during their growth. These elements constitute the natural beauty of wood. After being made into furniture, there will be slight discoloration when viewed under different light and different angles. That is because different grain minerals and light intensity affect vision, which is a normal phenomenon.

2. Marble and Sintered Stone

The pattern of marble and sintered stone is unique to each piece. Due to the characteristics of the material, there is no guarantee that the pattern of each piece will be consistent with the pattern seen at the time of purchase.

Assembly Instructions

- Read these instructions carefully and keep for future reference. Refer to parts inventory for guidance, and ensure you have all pieces before starting.
- **When assembling place all parts on a soft, clean, and flat surface such as a carpet to prevent scratches.**
- **During assembly, align all screws with the corresponding pre-drilled holes first and then tighten them one by one.**



TIME



1 People



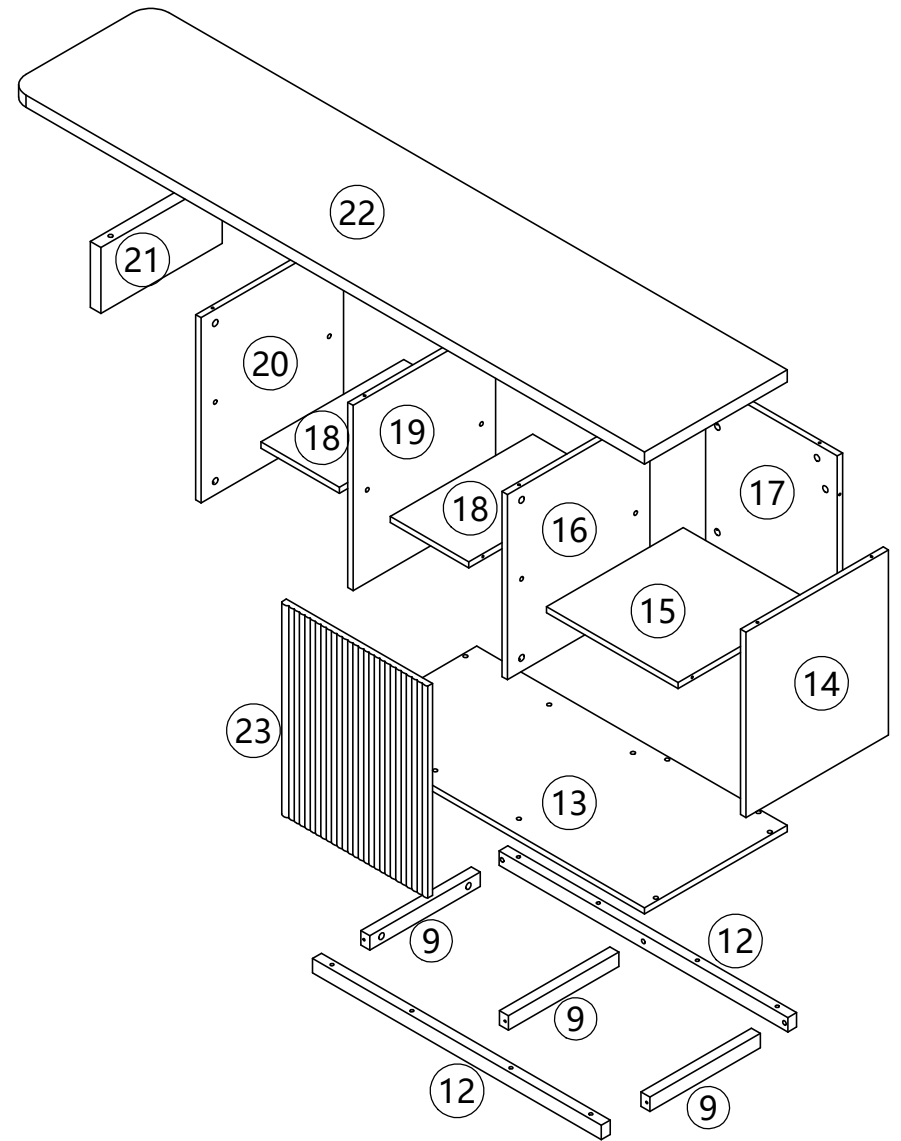
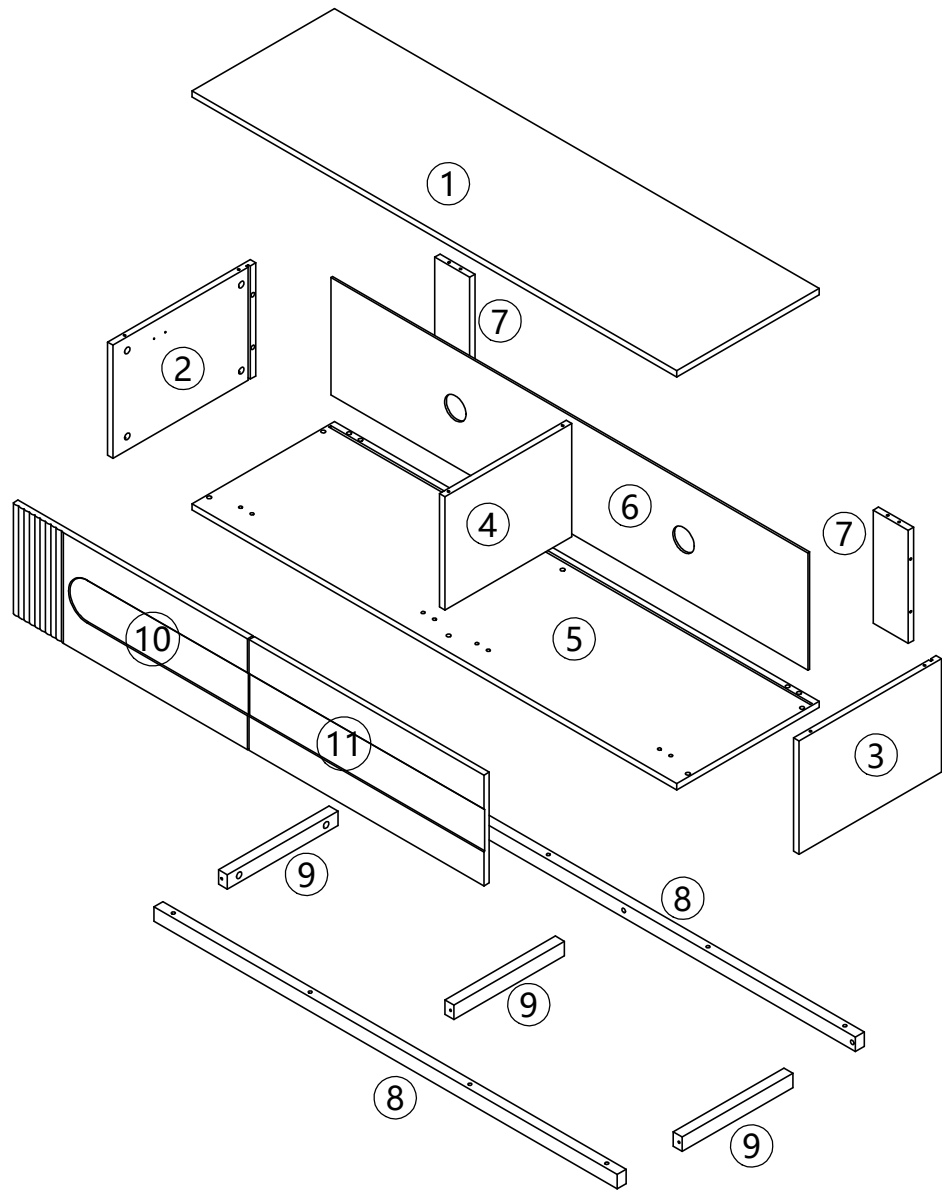
DIFFICULTY

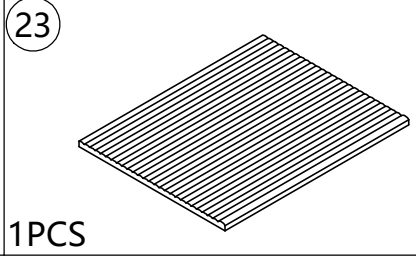
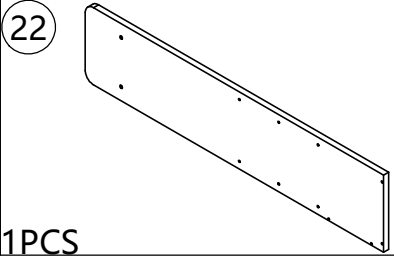
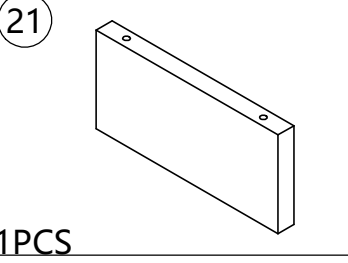
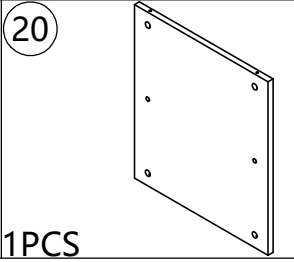
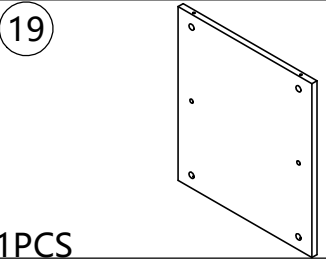
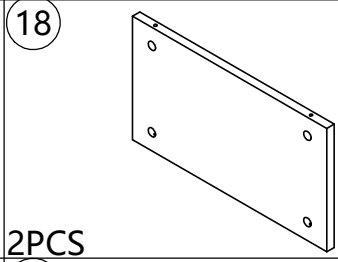
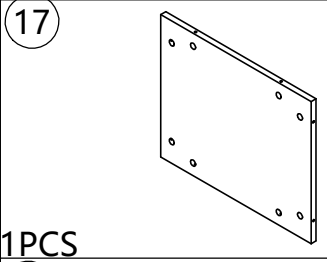
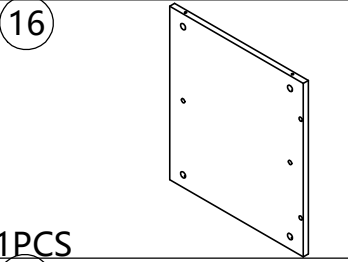
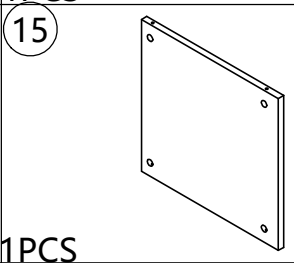
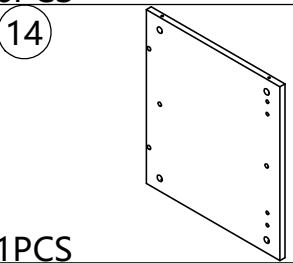
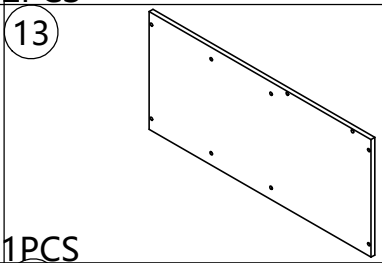
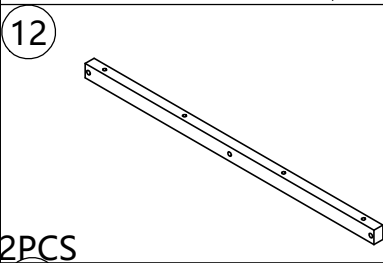
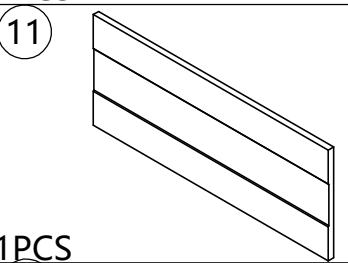
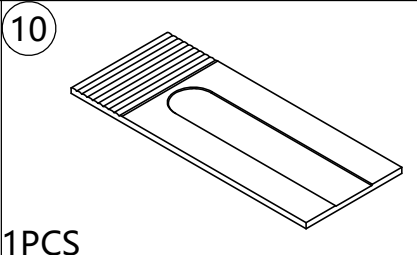
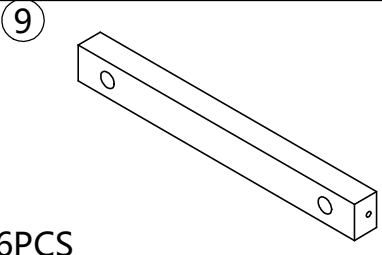
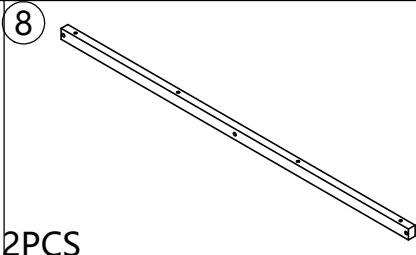
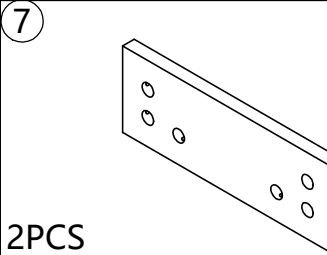
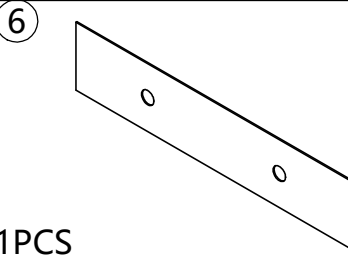
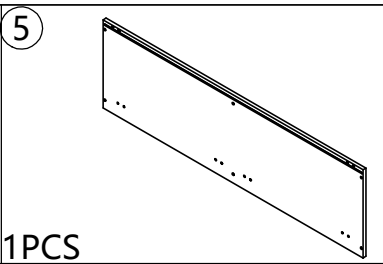
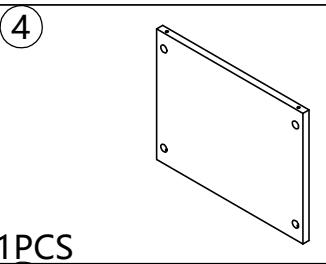
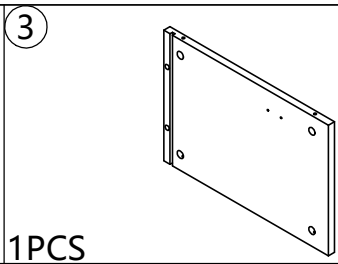
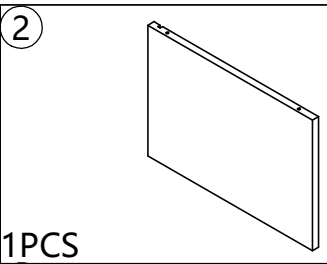
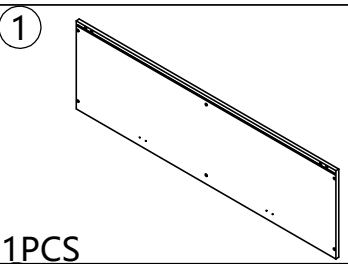
Do not discard any contents until after assembly is complete to avoid accidentally discarding small parts or hardware.

TOOLS YOU MAY NEED

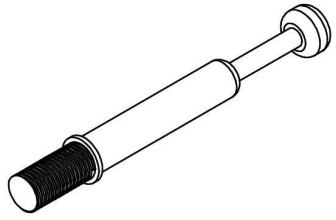


Note: It is recommended that installation of the product be done by a qualified licensed furniture assembler.



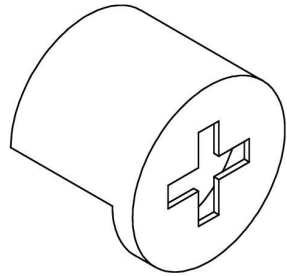


(A)



72+2PCS

(B)



72+2PCS

(C)



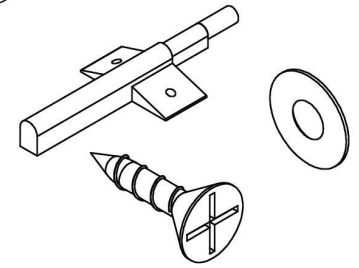
4PCS

(D)



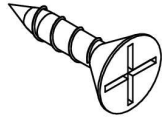
2PCS

(E)



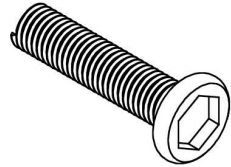
2PCS

(F)



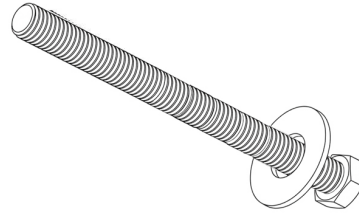
24+3PCS

(G)



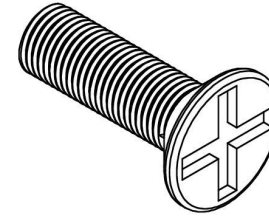
16+1PCS

(H)



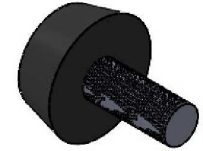
2PCS

(I)



24+2PCS

(J)



12+2PCS

(K)



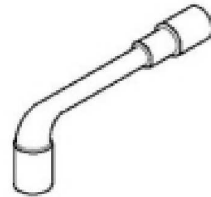
2PCS

(L)



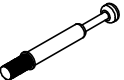

1PCS

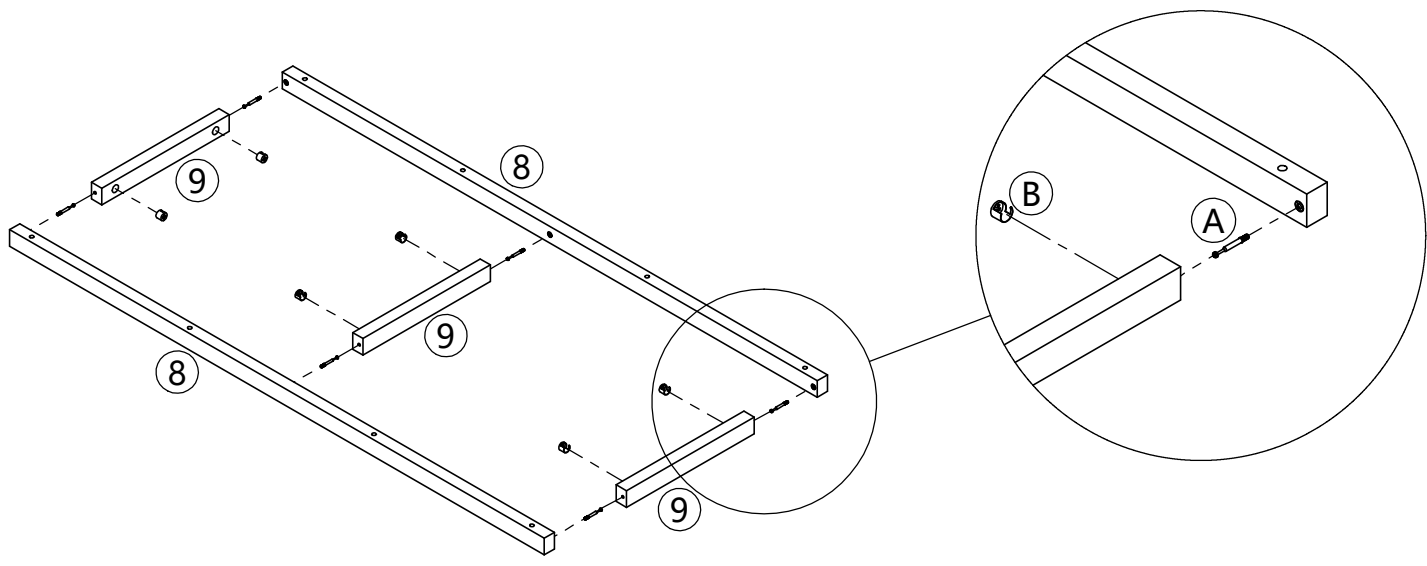
(M)



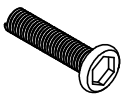


1PCS

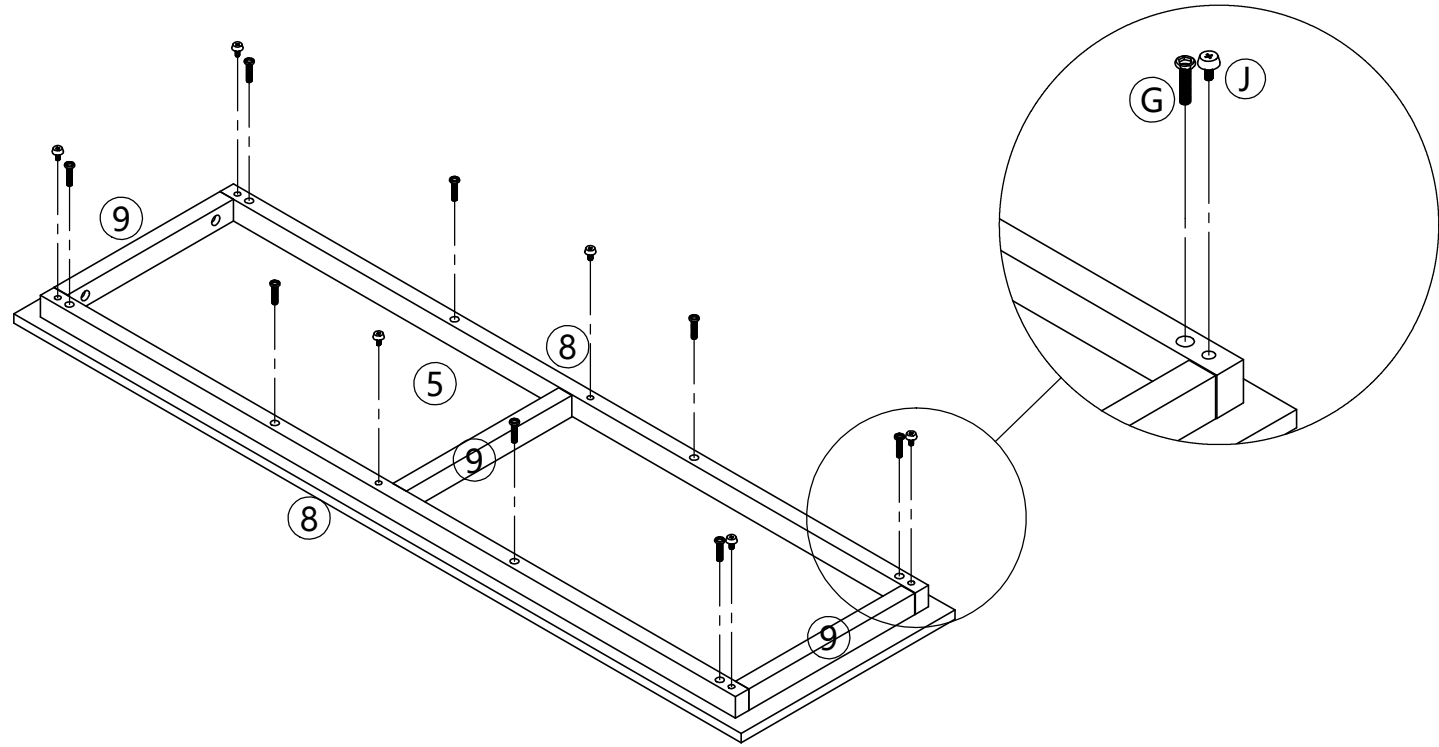
Step 1

- A  X6
- B  X6

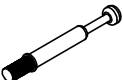


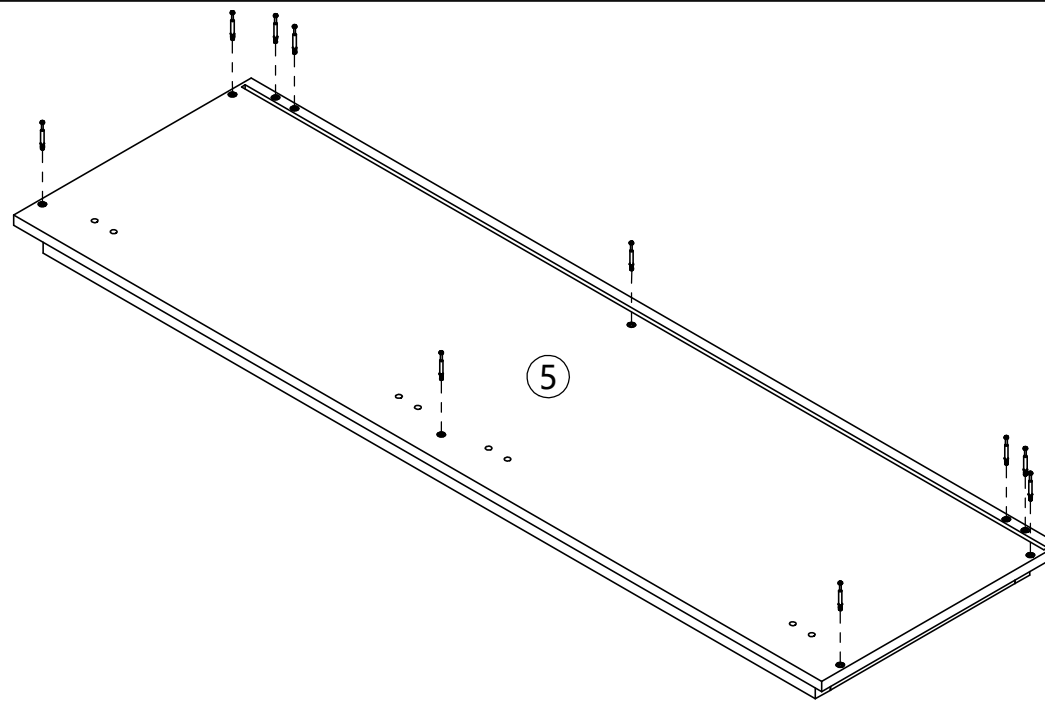
Step 2

- G  X8
- J  X6
- L  X1

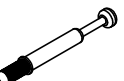



Step 3

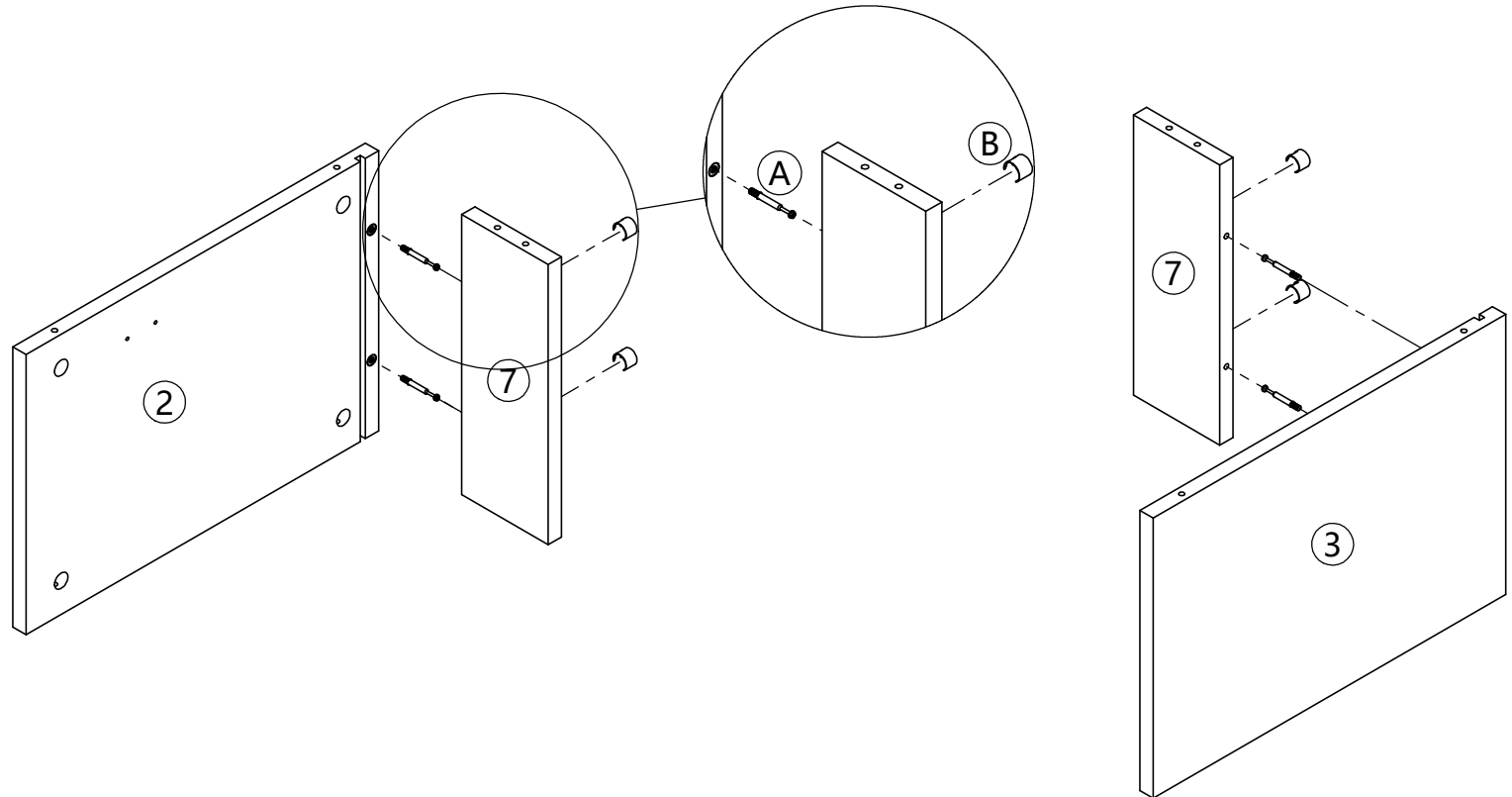
A  X10




Step 4

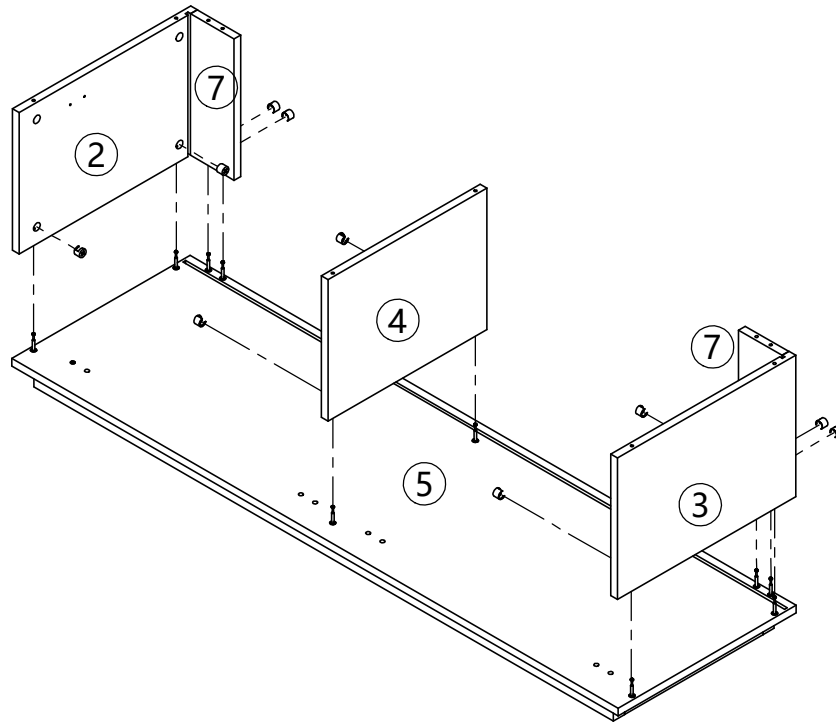
A  X4

B  X4

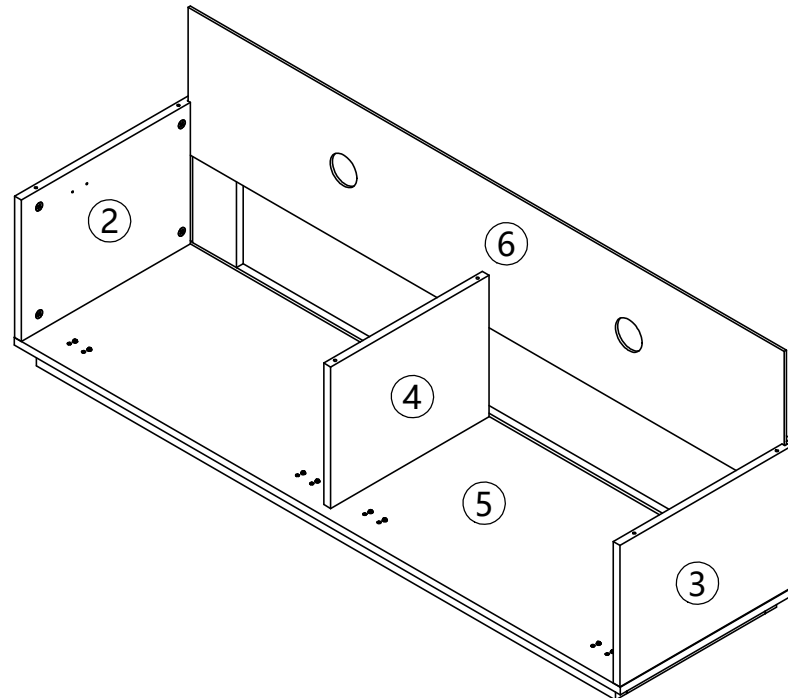


Step 5

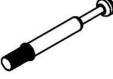

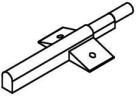
B  X10

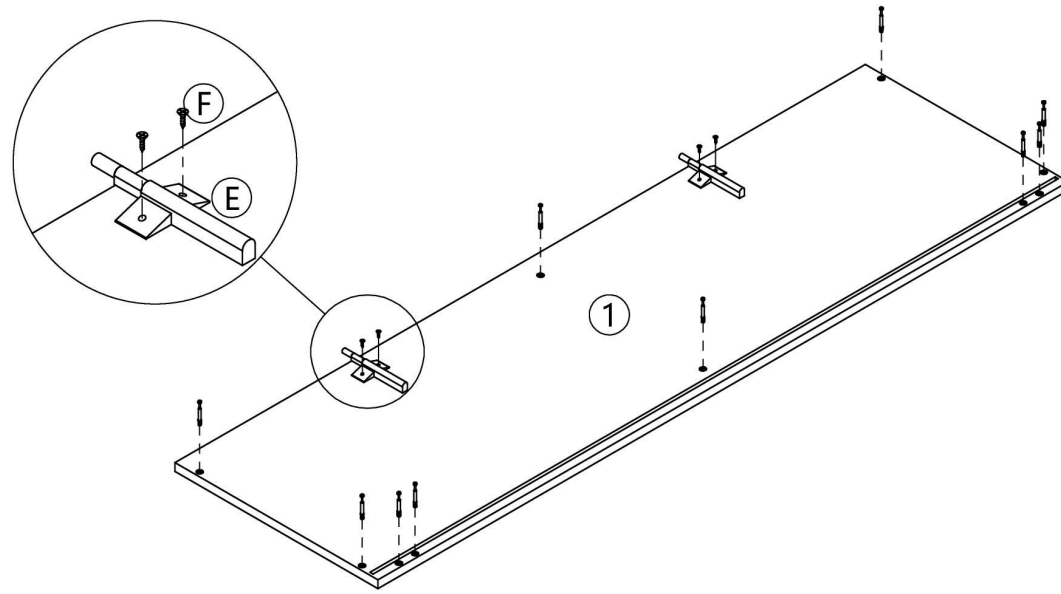


Step 6




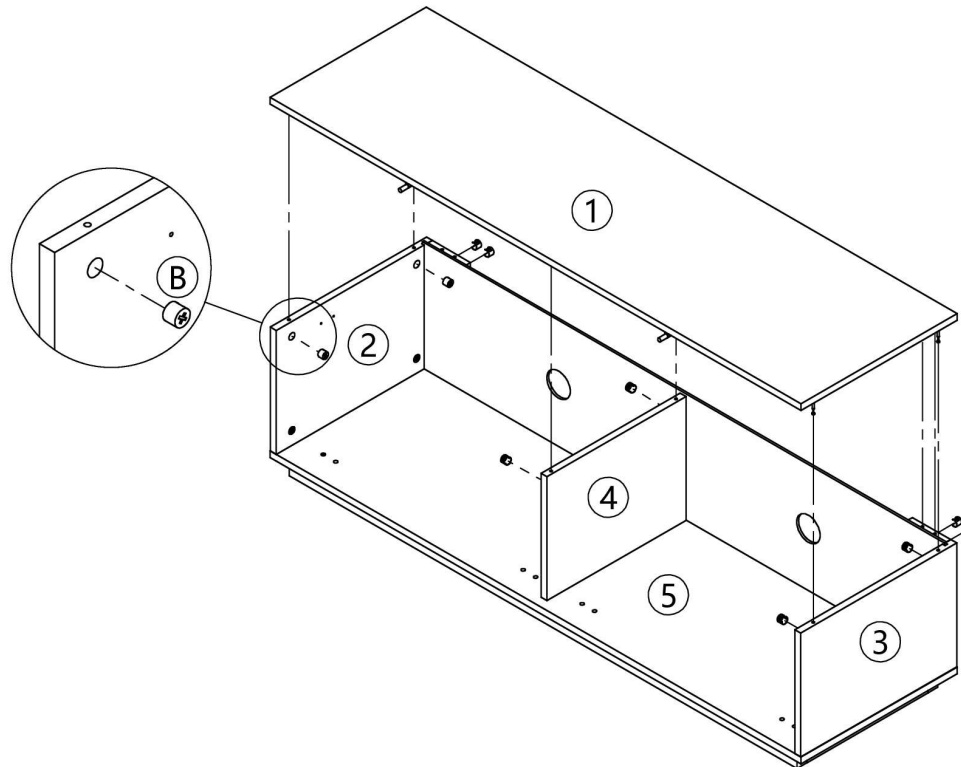
Step 7

- A  X10
- F  X4
- E  X2



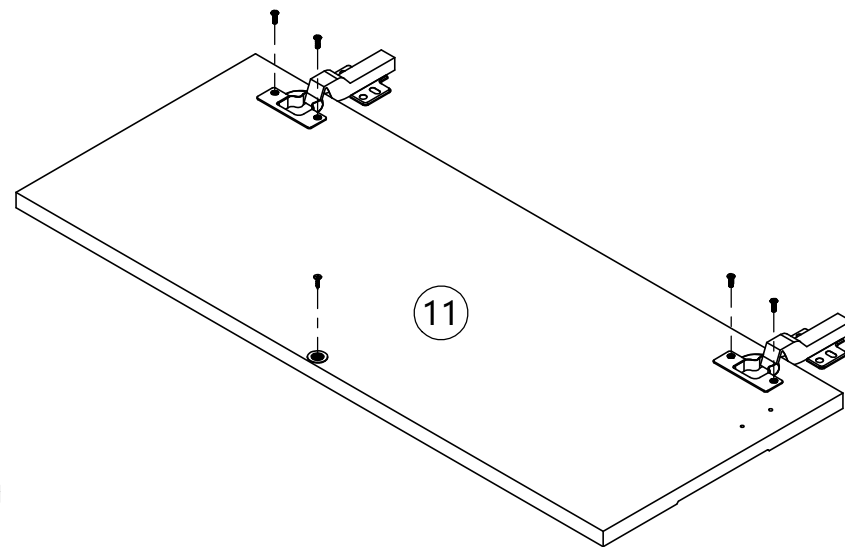
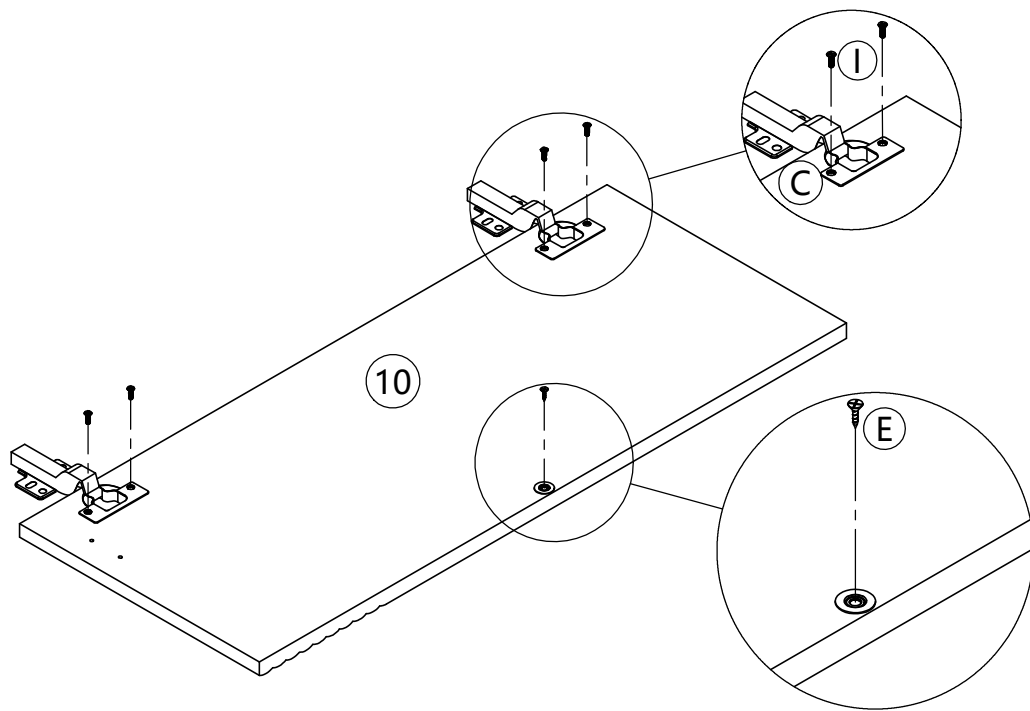
Step 8

- B  X10



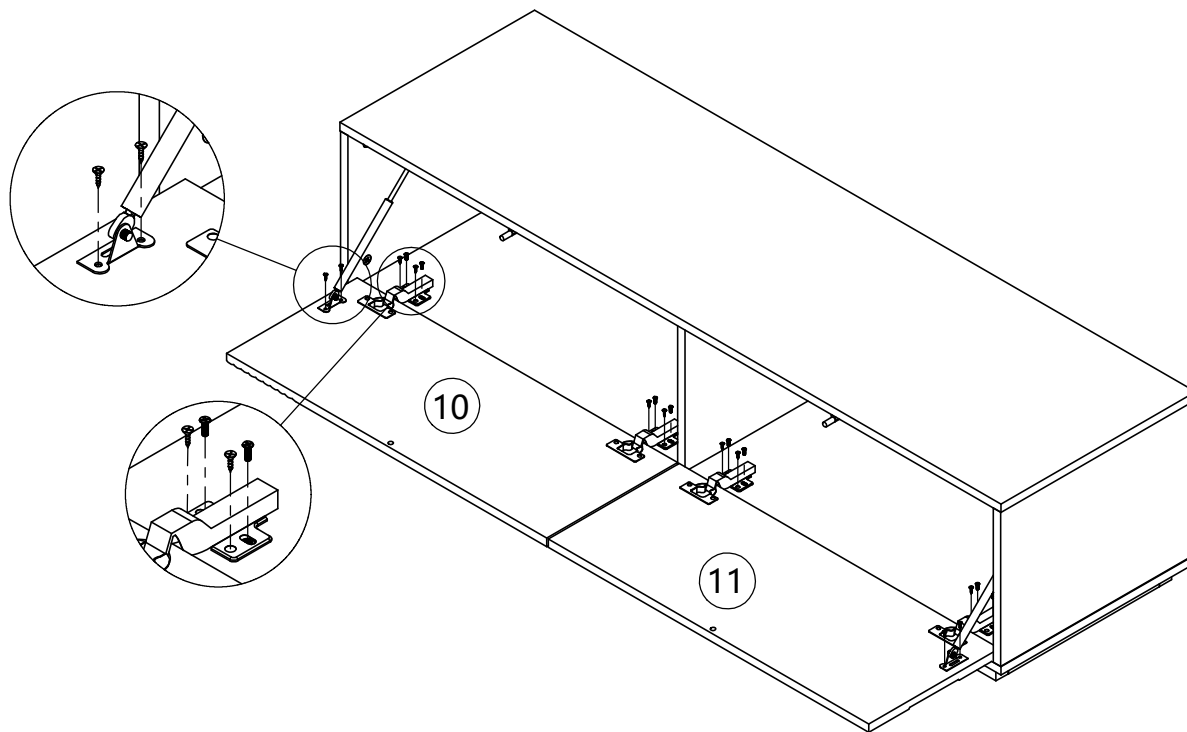
Step 9

- C X4
- I X8
- E X2

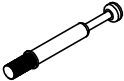



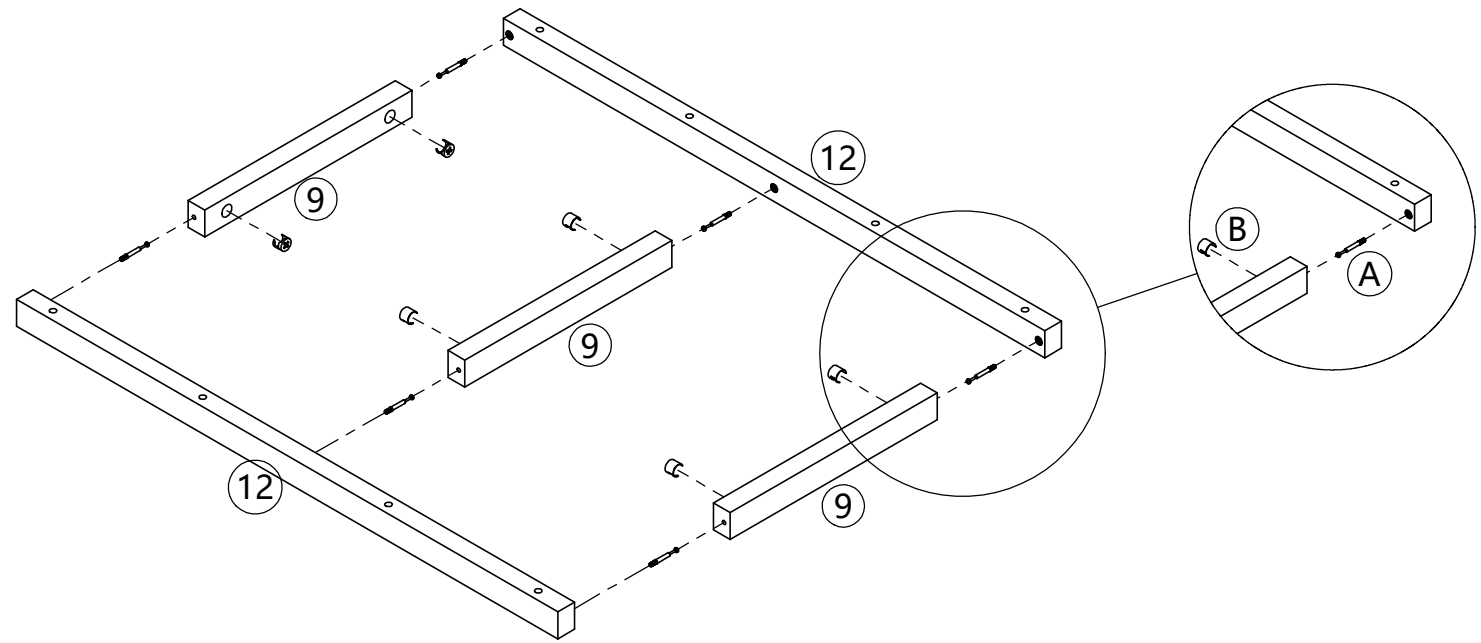
Step 10

- I X8
- K X2
- F X16

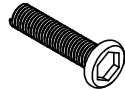




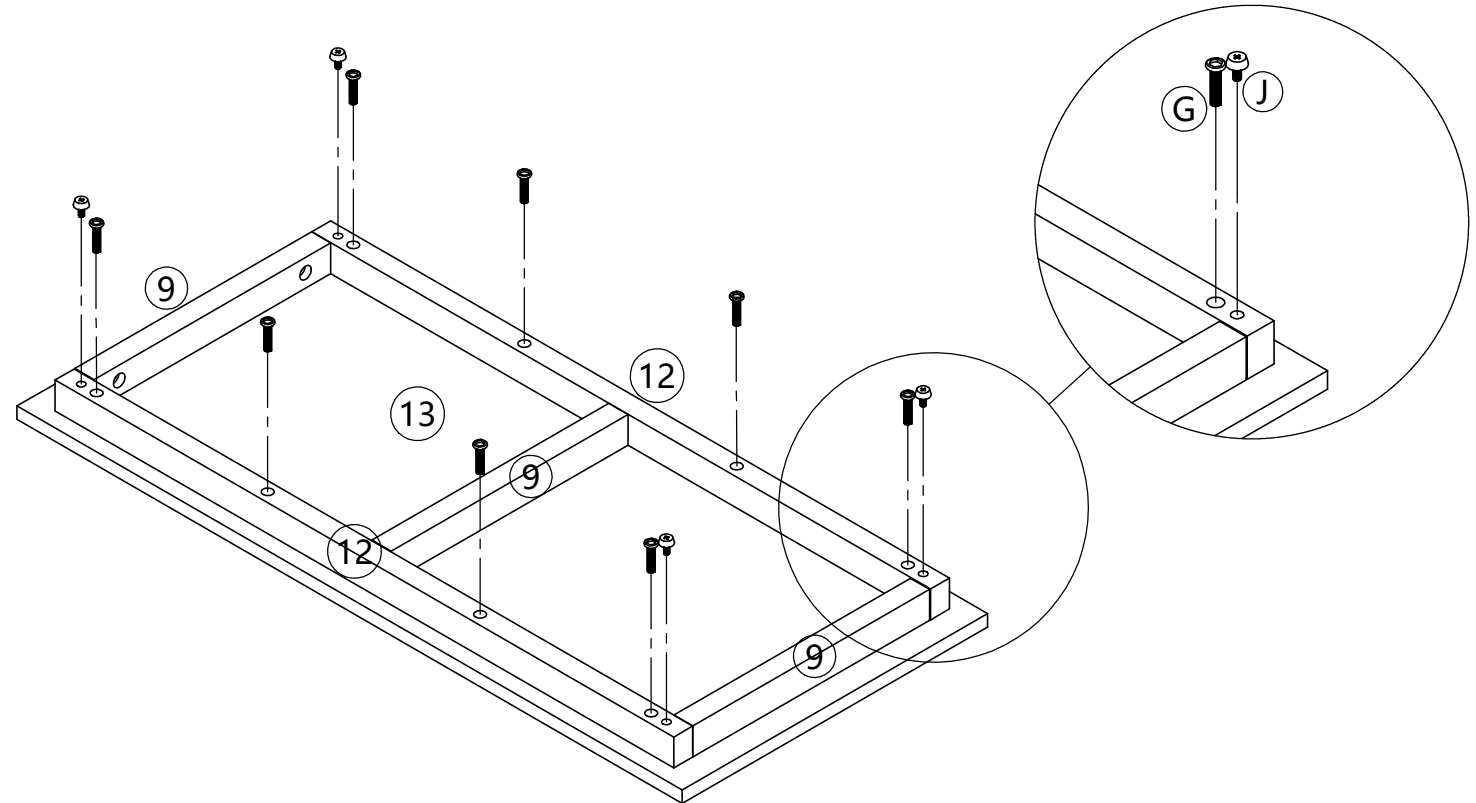
Step 11

- A  X6
- B  X6

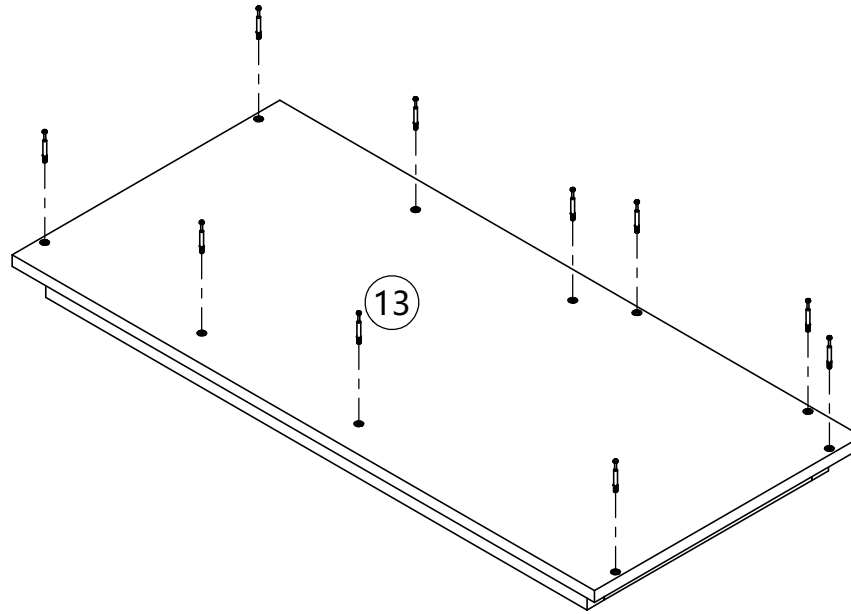
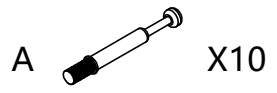


Step 12

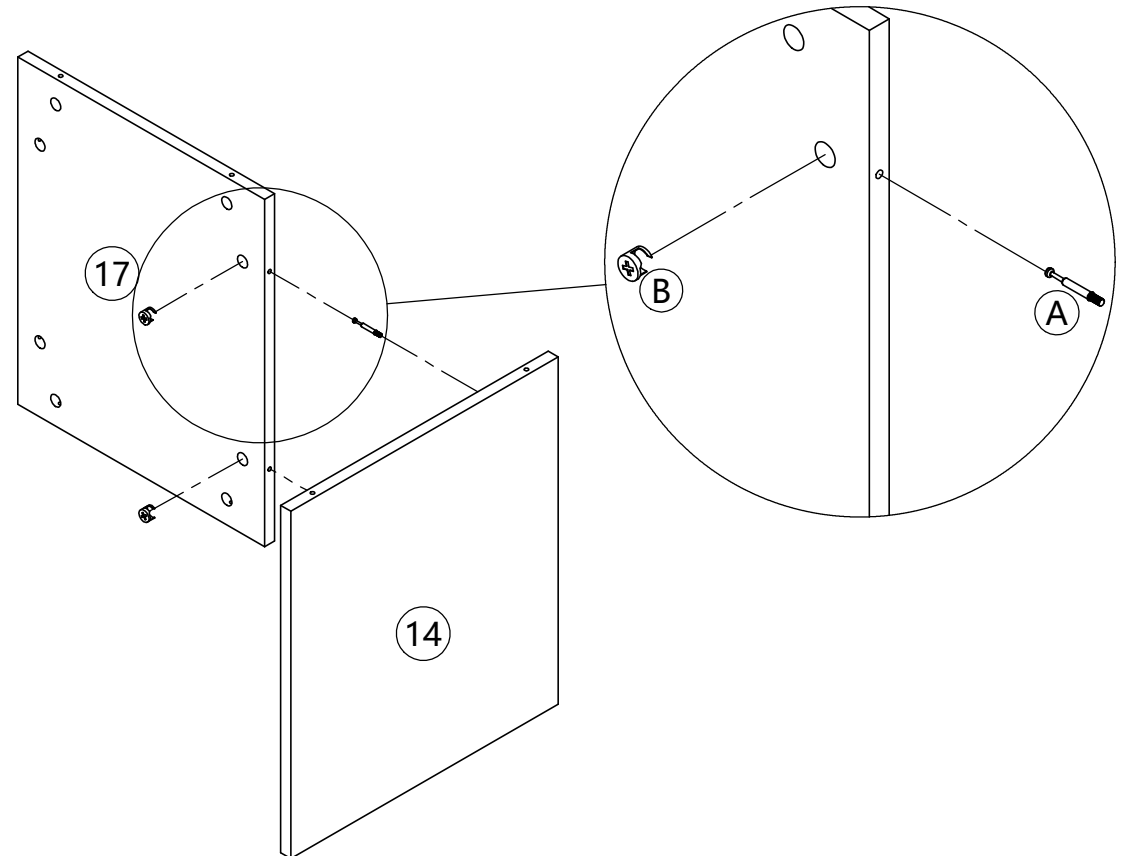
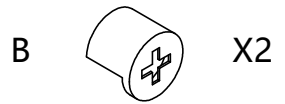
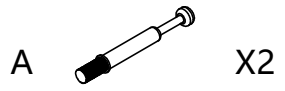
- G  X8
- J  X4
- L  X1



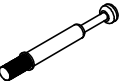
Step 13




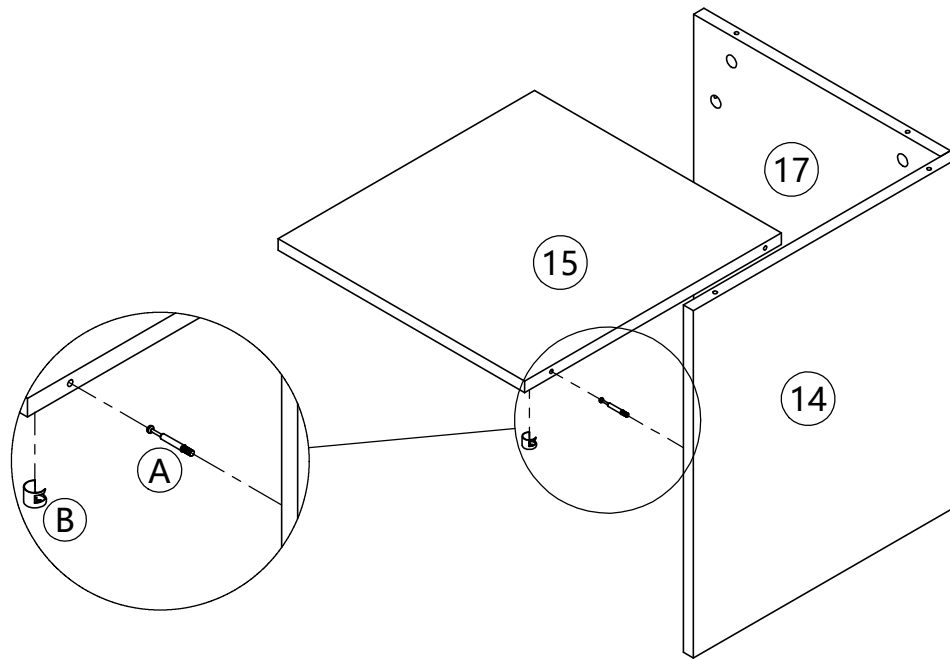
Step 14




Step 15

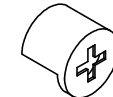
A  X2

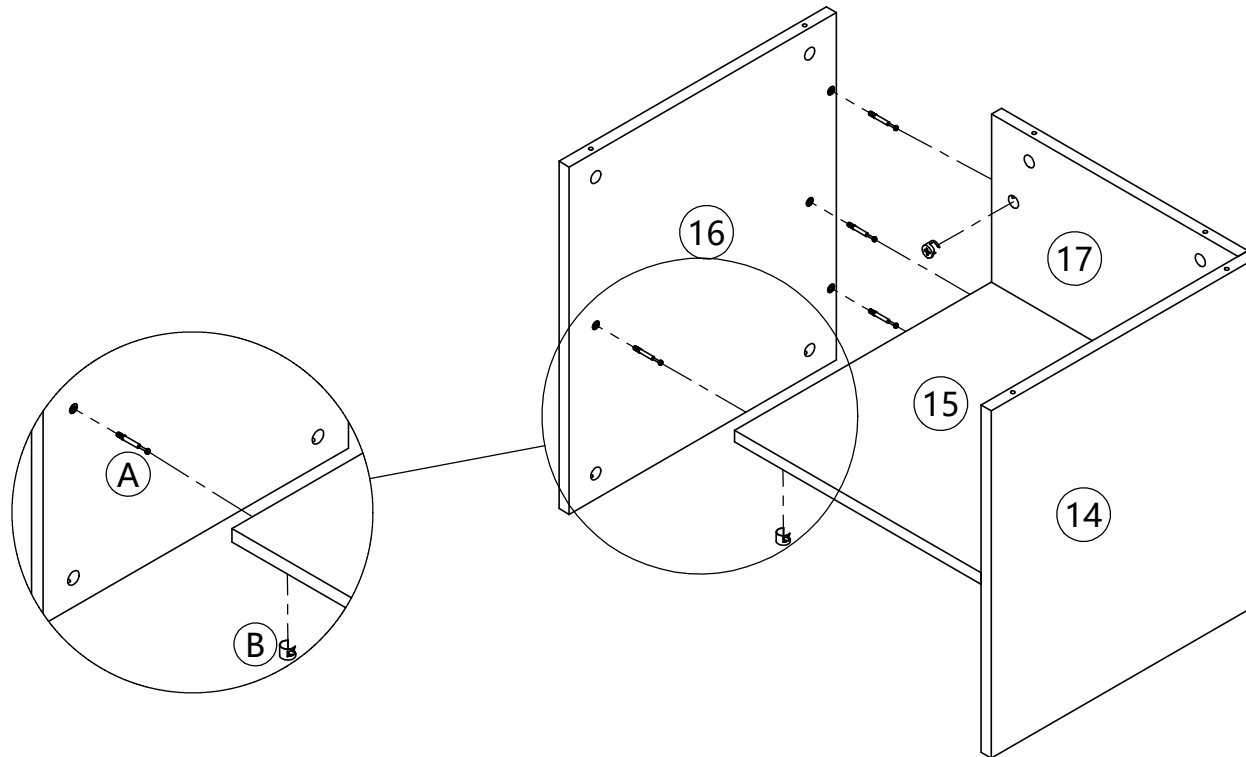
B  X2



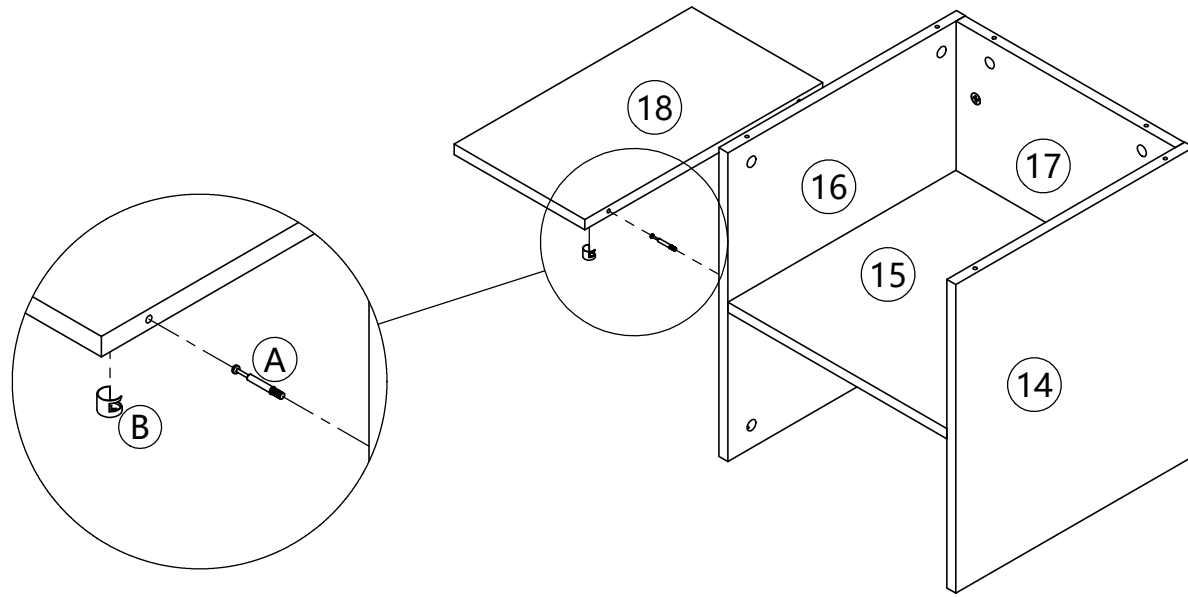
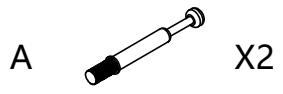
Step 16

A  X4

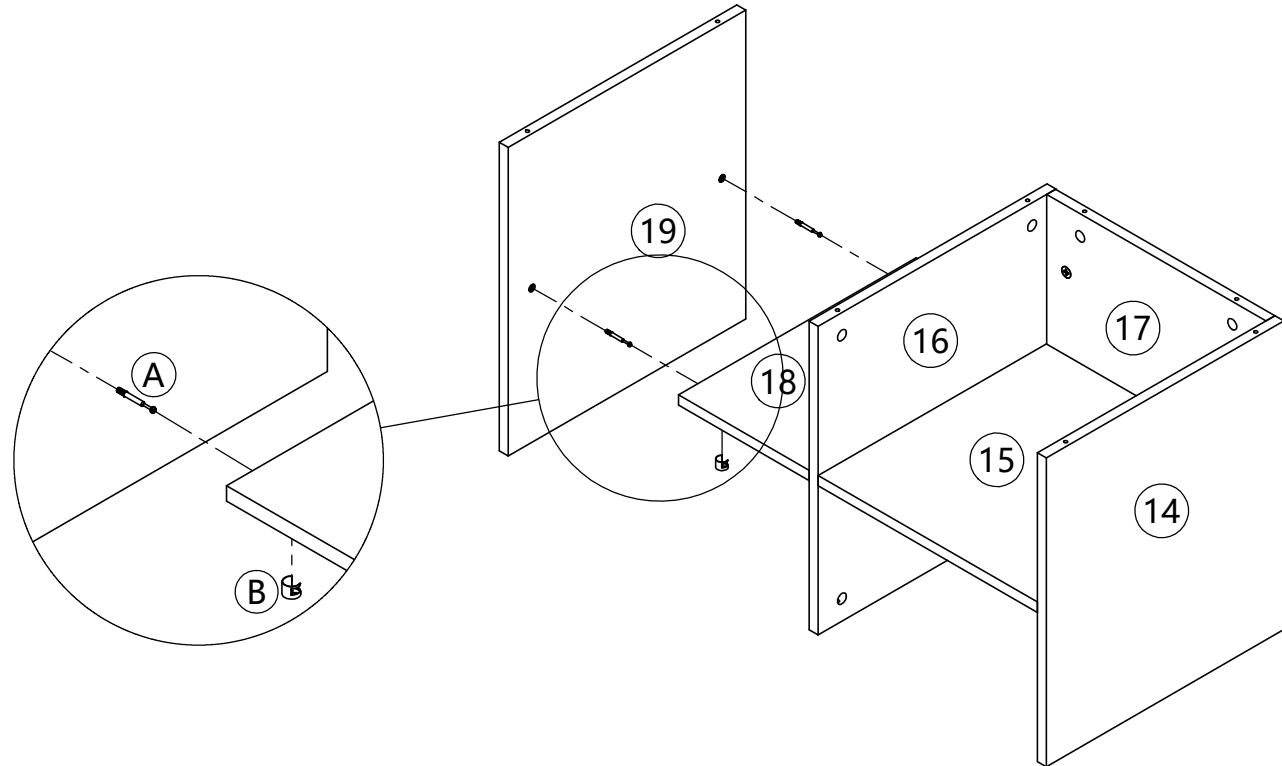
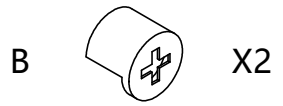
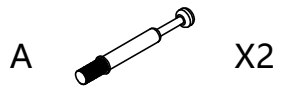
B  X4




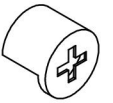
Step 17

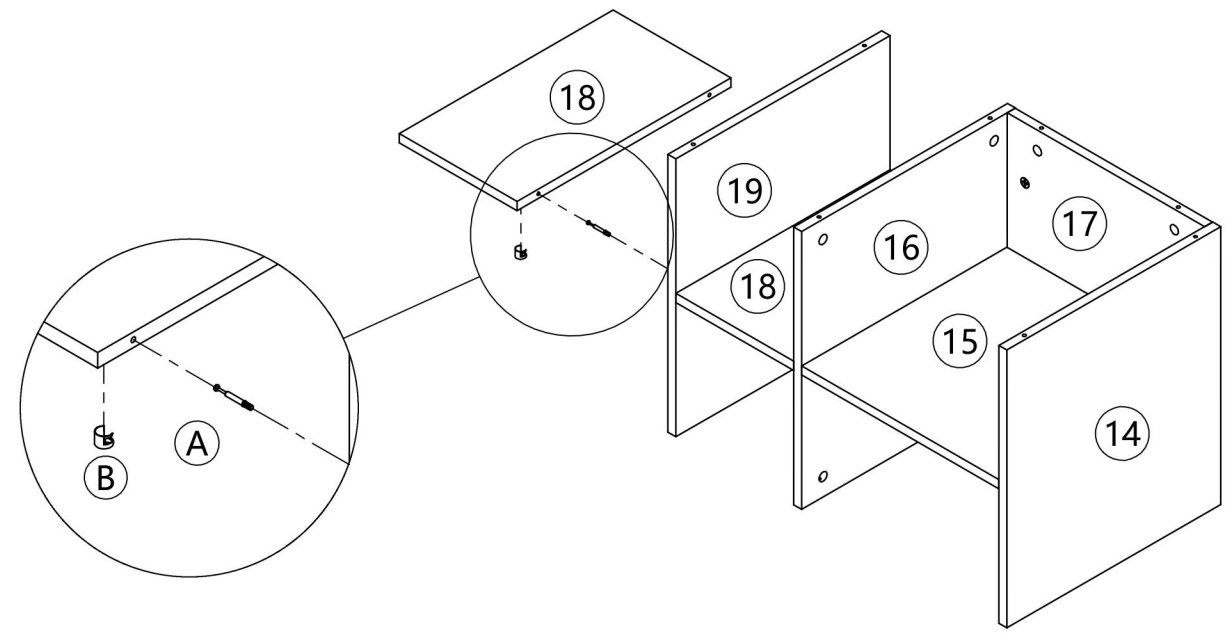


Step 18

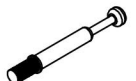



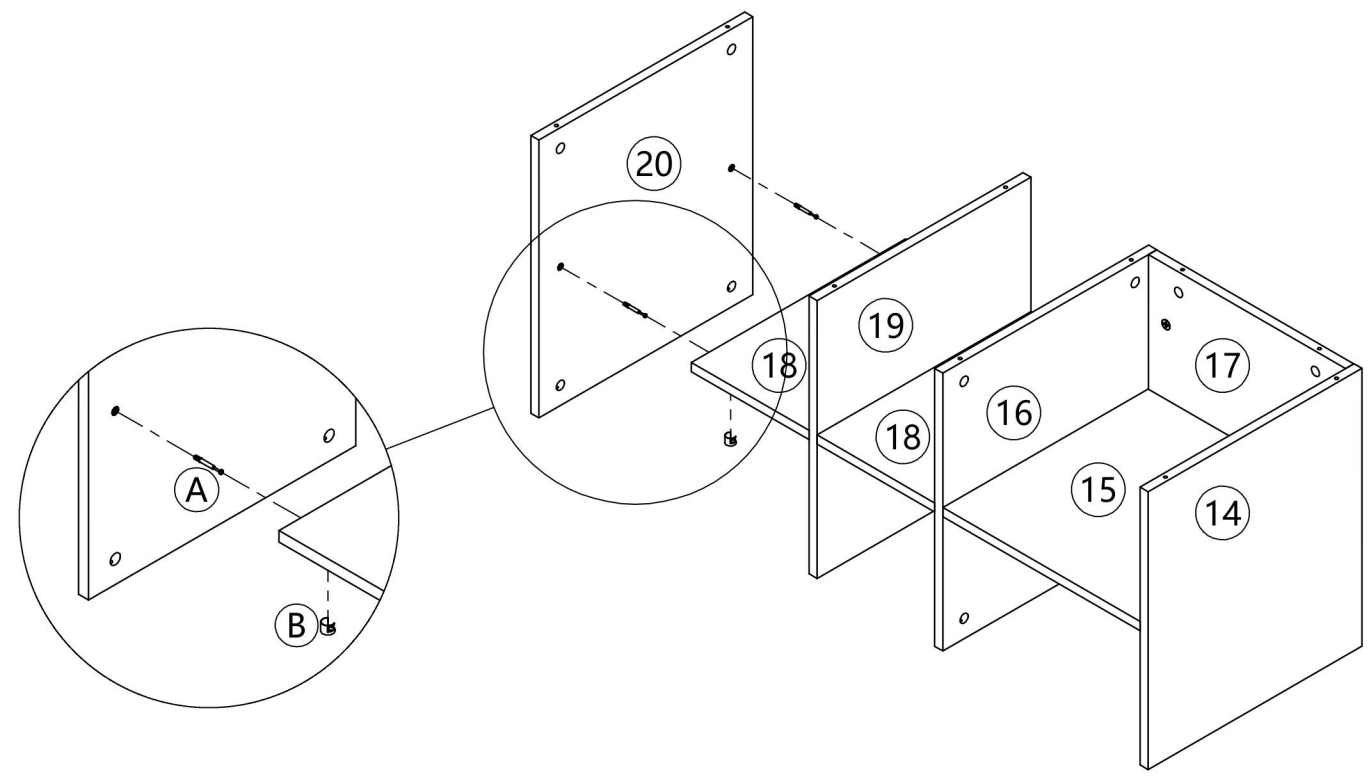
Step 19

- A  X2
- B  X2

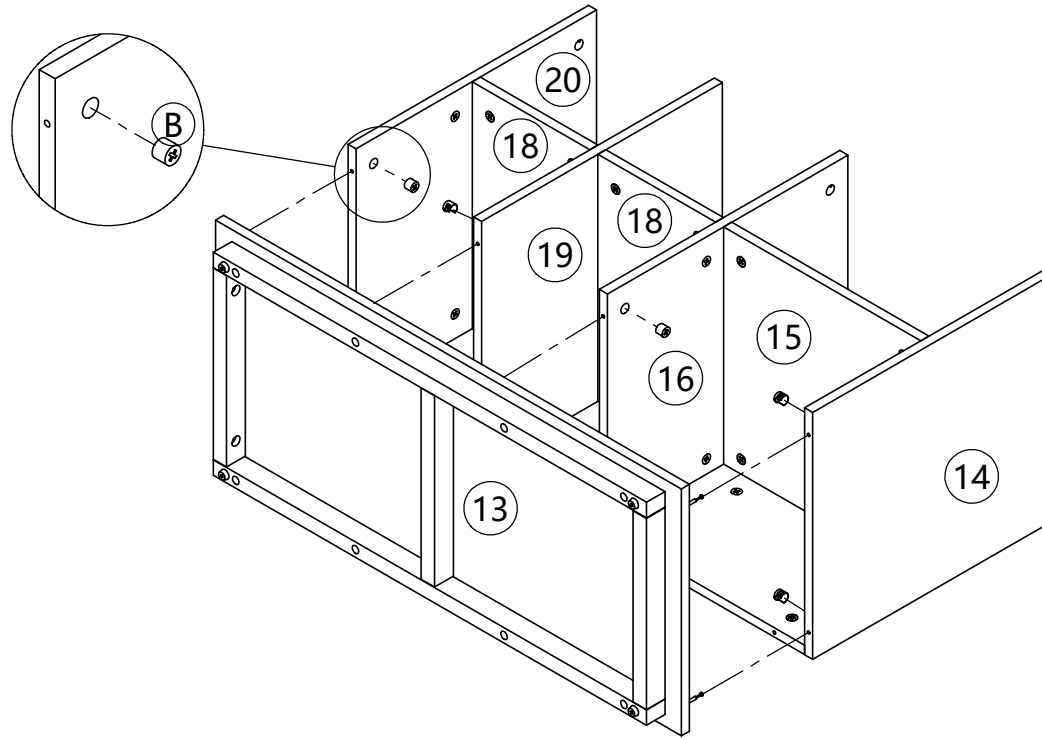
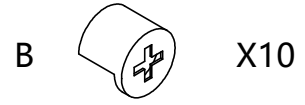


Step 20

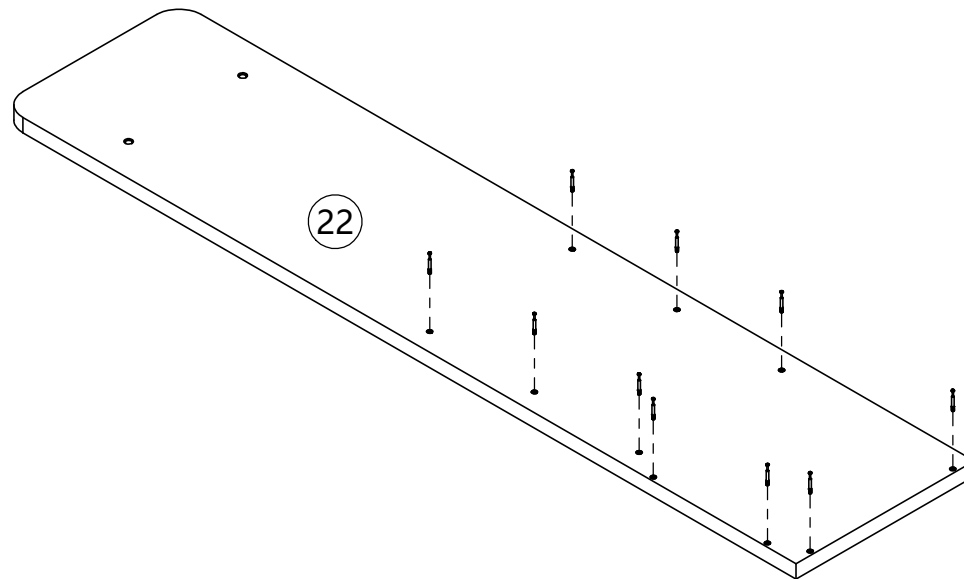
- A  X2
- B  X2



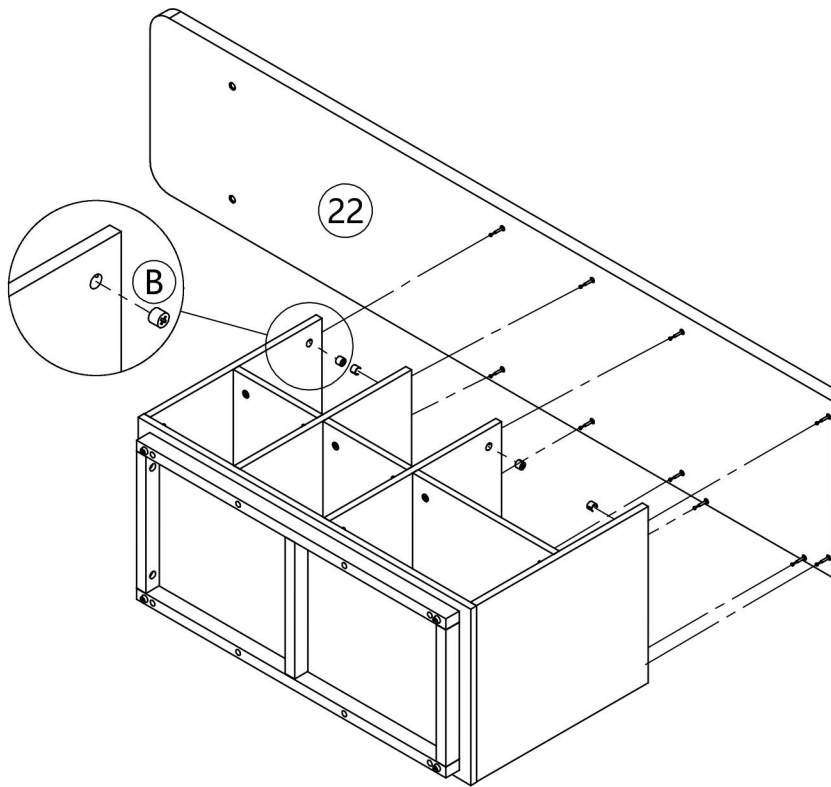
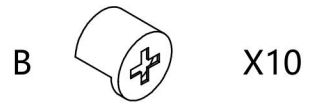
Step 21



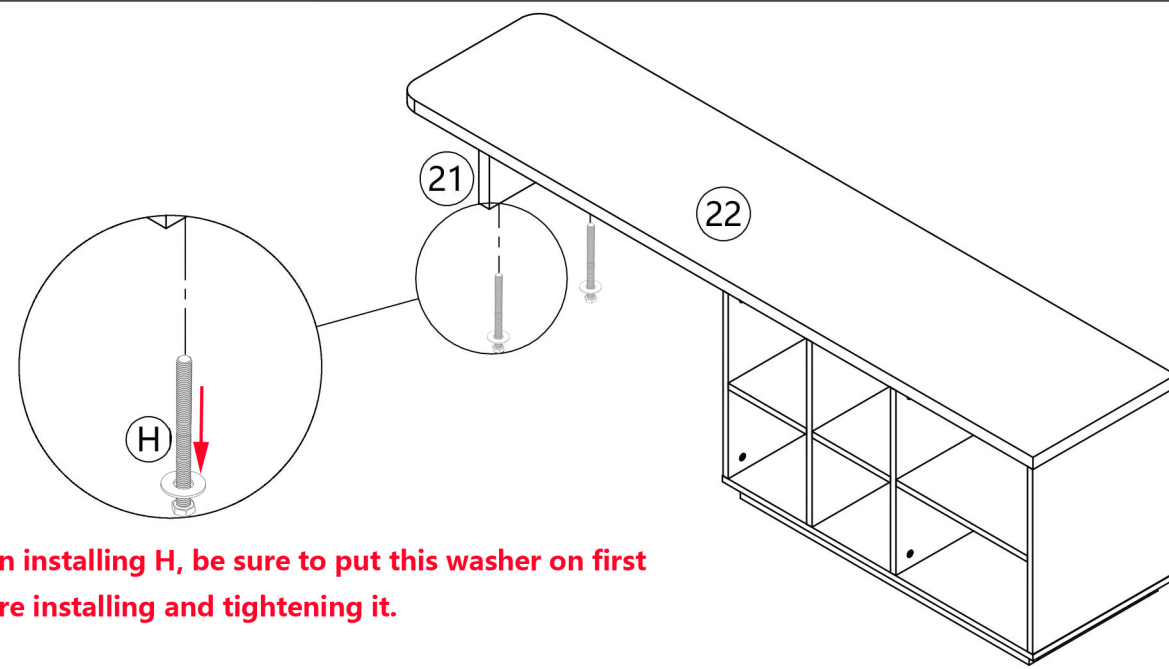
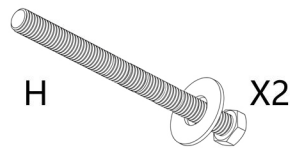
Step 22



Step 23

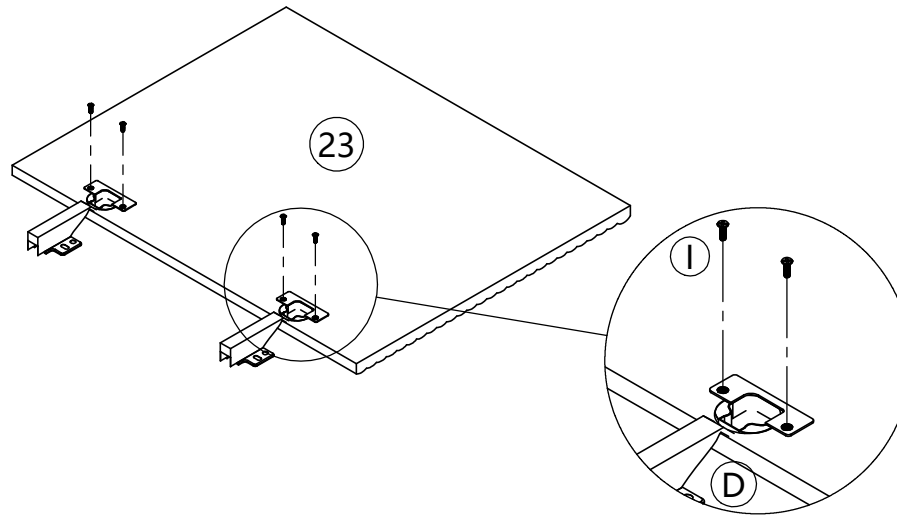
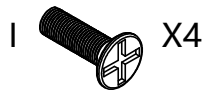
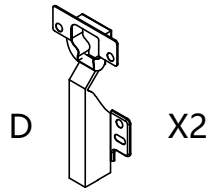


Step 24



When installing H, be sure to put this washer on first before installing and tightening it.

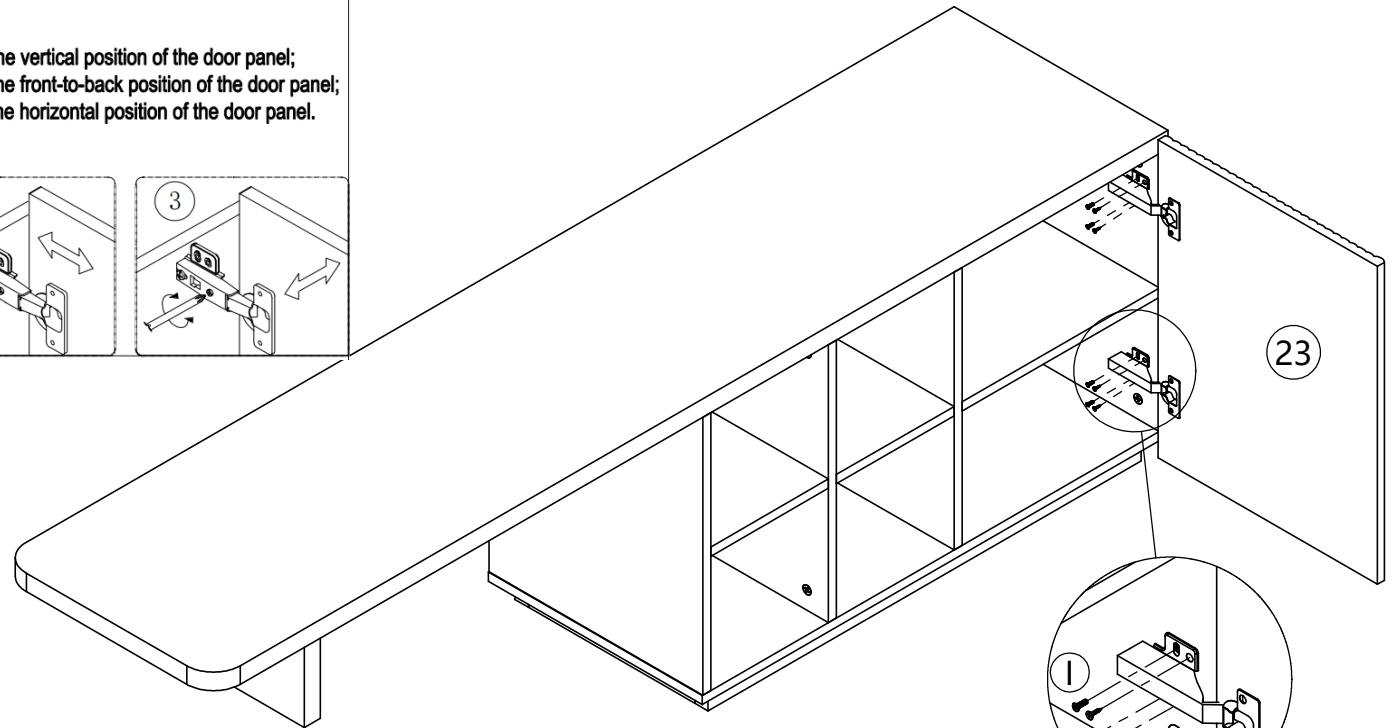
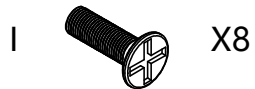
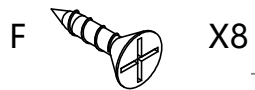
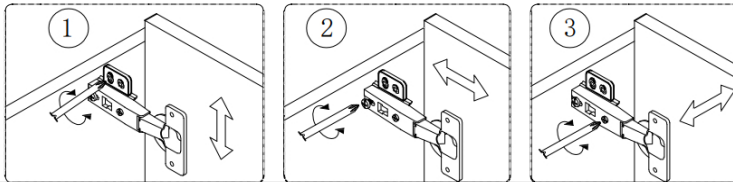
Step 25

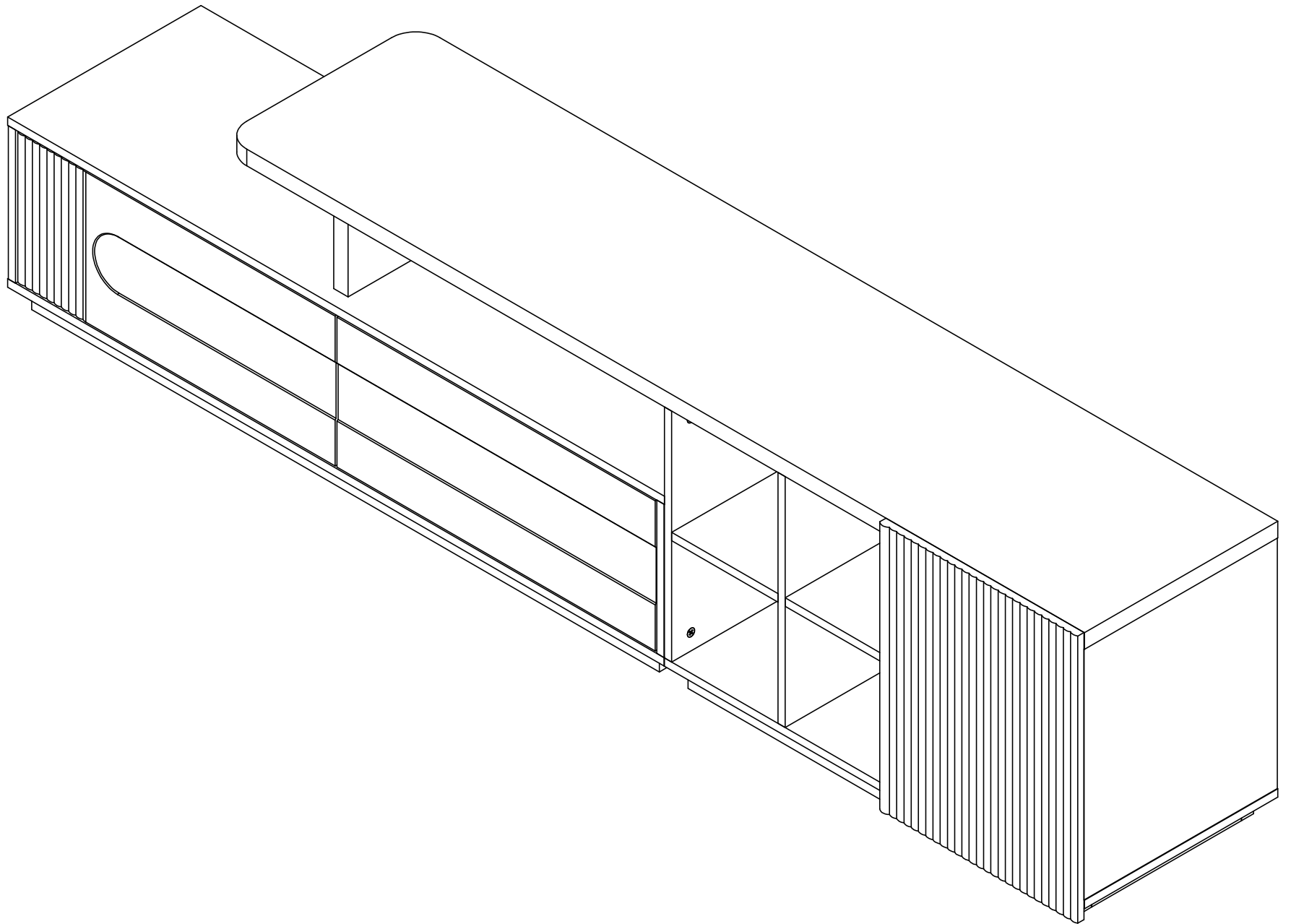


Step 26



- a. Please refer to Figure 1 to adjust the vertical position of the door panel;
- b. Please refer to Figure 2 to adjust the front-to-back position of the door panel;
- c. Please refer to Figure 3 to adjust the horizontal position of the door panel.





Use and Maintenance

1. Keep the furniture vacant for half a month before use, and maintain good indoor ventilation to eliminate the residual odor in furniture surface coating.
2. Place the objects smoothly, Heavier objects should be placed at the bottom (layer) of the furniture to avoid the furniture from tipping over. Heavy objects should not be placed on the top of the wardrobe, so as not to cause the top plate to deform and sag and affect the opening of the cabinet door, high-temperature or frozen objects should be padded with high-temperature-resistant mats and placed on the furniture. Heavier or harder objects should be placed on the furniture table with a soft decorative tablecloth or a felt for protection.
3. Do not push hard objects directly on the furniture to avoid scratching the surface of the furniture.
4. Do not expose the furniture to sunlight for a long time or place the furniture close to the heating equipment, which can cause localized discoloration and fading.
5. Please avoid long-term exposure to humid environment to prevent mildew.
6. Place the furniture stably to avoid breaking the furniture feet or loosening the connection parts due to inclination.
7. Do not let items that are flammable and oxidizing touch the surface of the furniture, which may cause chemical reactions and damage to the furniture finishing.
8. Teach children not to play close to the glass sharp angles of furniture avoid accidental physical injury and damage to the furniture.
9. Open the doors and drawers of the furniture with appropriate force, and it is strictly forbidden to open and close them violently, which will cause loose connections.
10. Screws may become loose during long-term use. If necessary, retighten them to ensure stability and security.