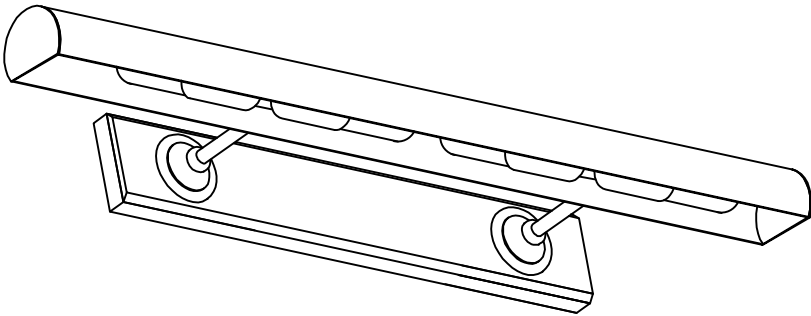
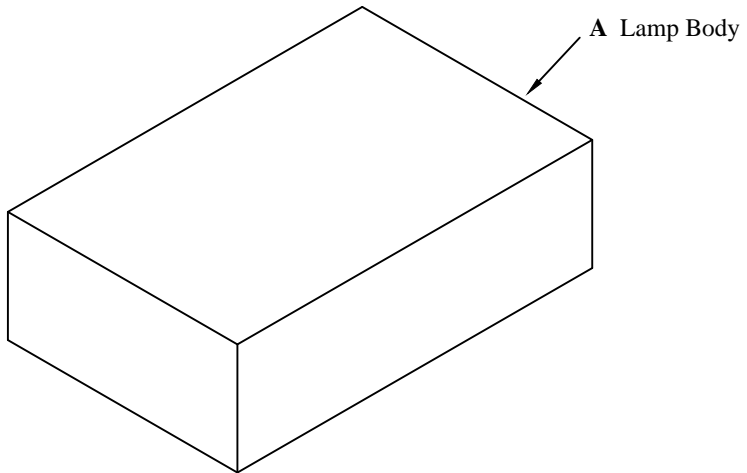


# INSTALLATION INSTRUCTION





## **SAFETY INFORMATION**

It is important to thoroughly read and understand the entire manual, before assembling, operating, or installing the product,

## **WARNING**

- TURN OFF ELECTRICITY before installation, changing bulbs, or cleaning the light fixture.
- This fixture requires 4 pieces E12 bulbs(not included in the product, the maximum wattage for each bulb is 40W, please do not exceed the recommended wattage.
- A QUALIFIED ELECTRICIAN IS RECOMMENDED FOR INSTALLATION.
- Do not use corrosive substances such as gasoline or alcohol disinfectants to wipe the lamps, otherwise it will damage the lamps.

## **PREPARATION**

- Before installation, please make sure all the accessories are included (refer to the package content), if there is any part missing, please contact us at the order page, we will arrange the replacement in a timely manner
- 4 pieces of E12 bulbs(Max. 60W) are required(not included in the product)
- For any questions or inquires, please feel free to contact us at the order page, our customer service team will reply ASAP.

# PACKAGE CONTENTS



2PCS



4PCS



6PCS



4PCS



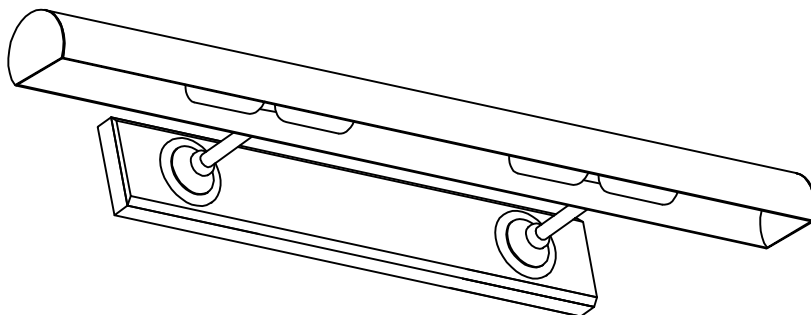
2PCS



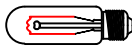
4PCS



1PCS

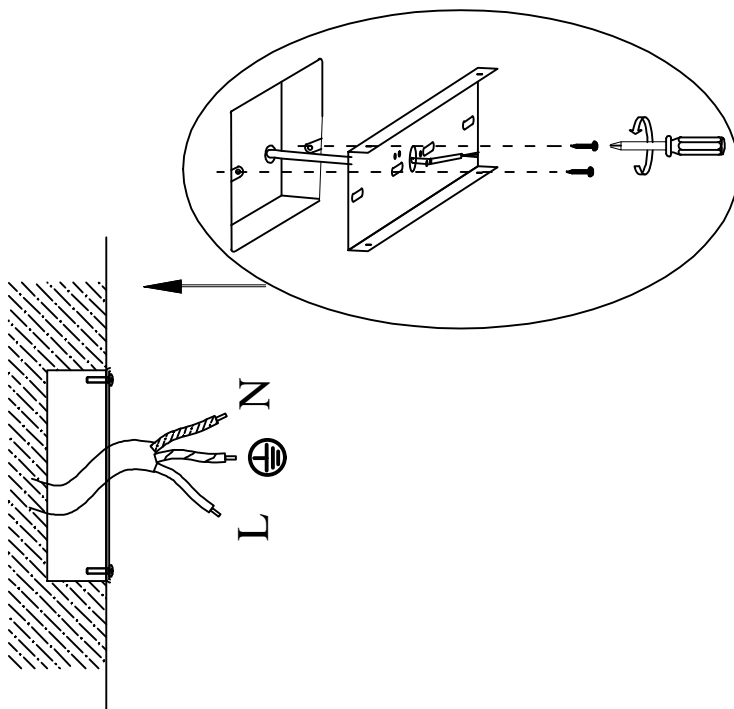


1PCS



E12\*4PCS

# Installation instruction



①

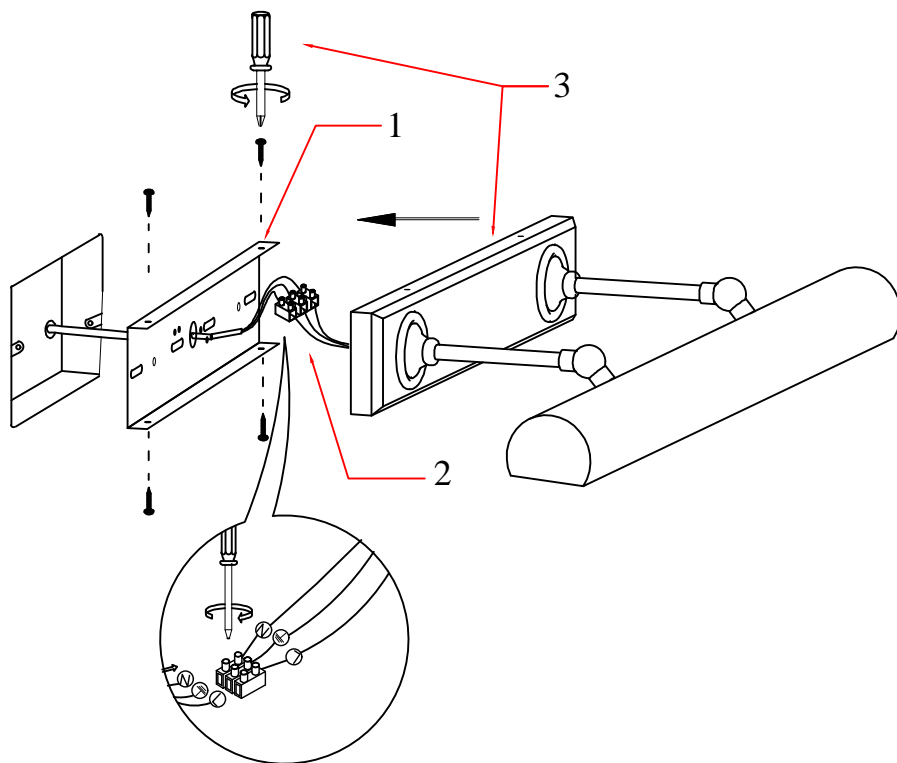
Steps:

1. Take out the lamp body and check the firmness of the lamp body;

Steps:

1. Remove the crossbar from the pre assembled mounting base;  
2. Lock the crossbar on the junction box with the screw.

# Installation instruction

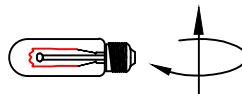
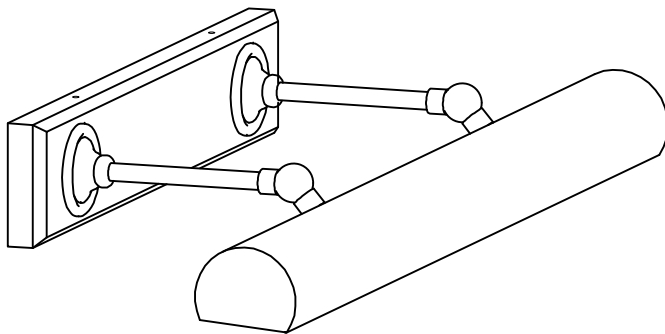


②

Steps:

- ① Remove the hanging board and install it on the wall
- ② Connect the power cord properly
- ③ Align the lamp body with the upper and lower holes of the hanging plate and tighten them with a screwdriver


# Installation instruction



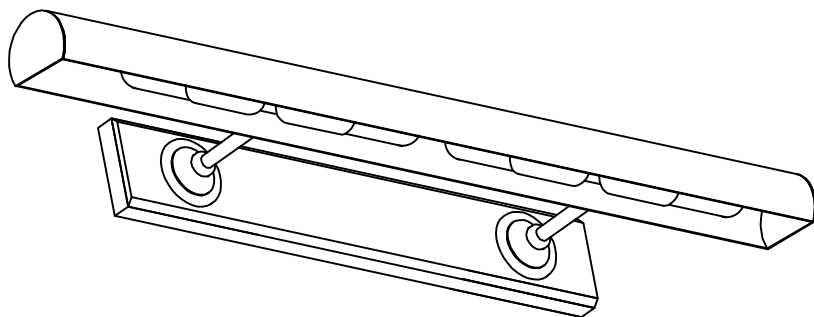
③

Steps:

- ① Remove the light source and install it inside the lamp body

 **WARNING:** E12 The light bulb,  
MAX60W BULB\* 4PCS.

# Installation instruction



NOTES : Due to the handmade nature of the product,  
slight variations in dimensions may occur.

## Cautions.

- 1.This lamp can only be used indoors;
- 2.TURN OFF THE POWER BEFORE THE INSTALLATION IS FINISHED.

## Warranty

We offer a one-year warranty for the light fixtures. Our warranty ensures that any issues related to the performance or functionality of the light fixtures will be addressed and resolved promptly.

Our dedicated customer service team is available 24 hours a day to assist you. If you have any questions or concerns, we guarantee a response within 24 hours. During the warranty period, if you encounter any problems or need assistance, please don't hesitate to reach out to us via email. To ensure a swift and accurate resolution, kindly provide your order ID and detailed information regarding the issue.

**Important Note:** Please use this light fixture only for its intended purpose and avoid retrofitting or remodeling it. The warranty does not cover failures caused by third-party products or natural disasters.