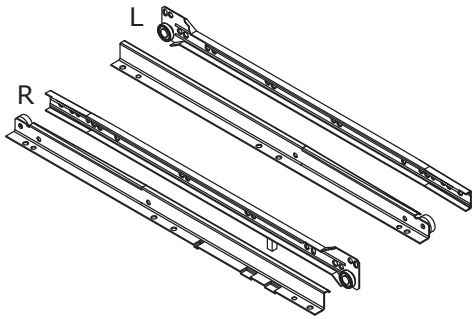
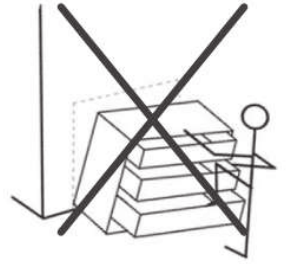
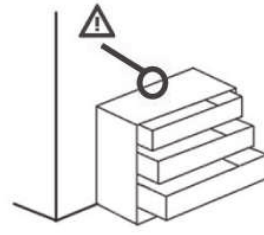
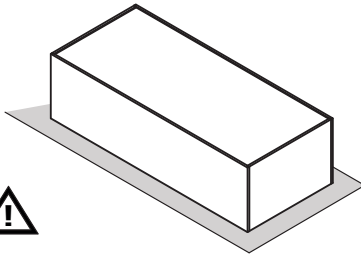
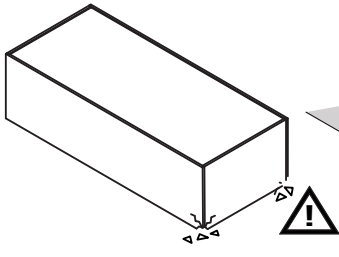
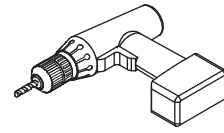
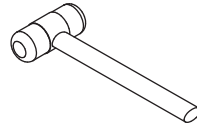
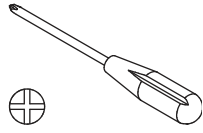
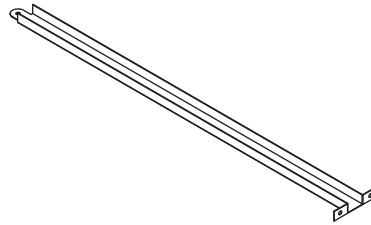


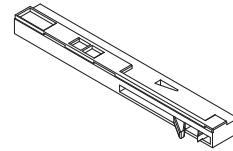
2h



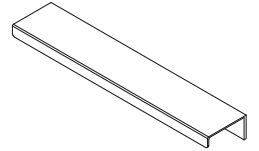
**A44**  
x6



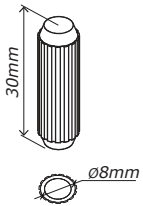
**W420**  
x6



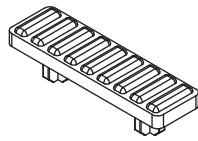
**H238**  
x6



**M147**  
x12



**H1**  
x16



**P6**  
x6



**T28**  
x36



**T98**  
x24



**G136**  
x24



**V5**  
x42



**V42**  
x24



**V13**  
x12



**V115**  
x14



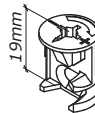
**H2**  
x12



**T99**  
x8



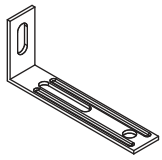
**G148**  
x4



**T97**  
x4



**T53**  
x9



**H185**  
x1



**H129**  
x2



**V81**  
x2



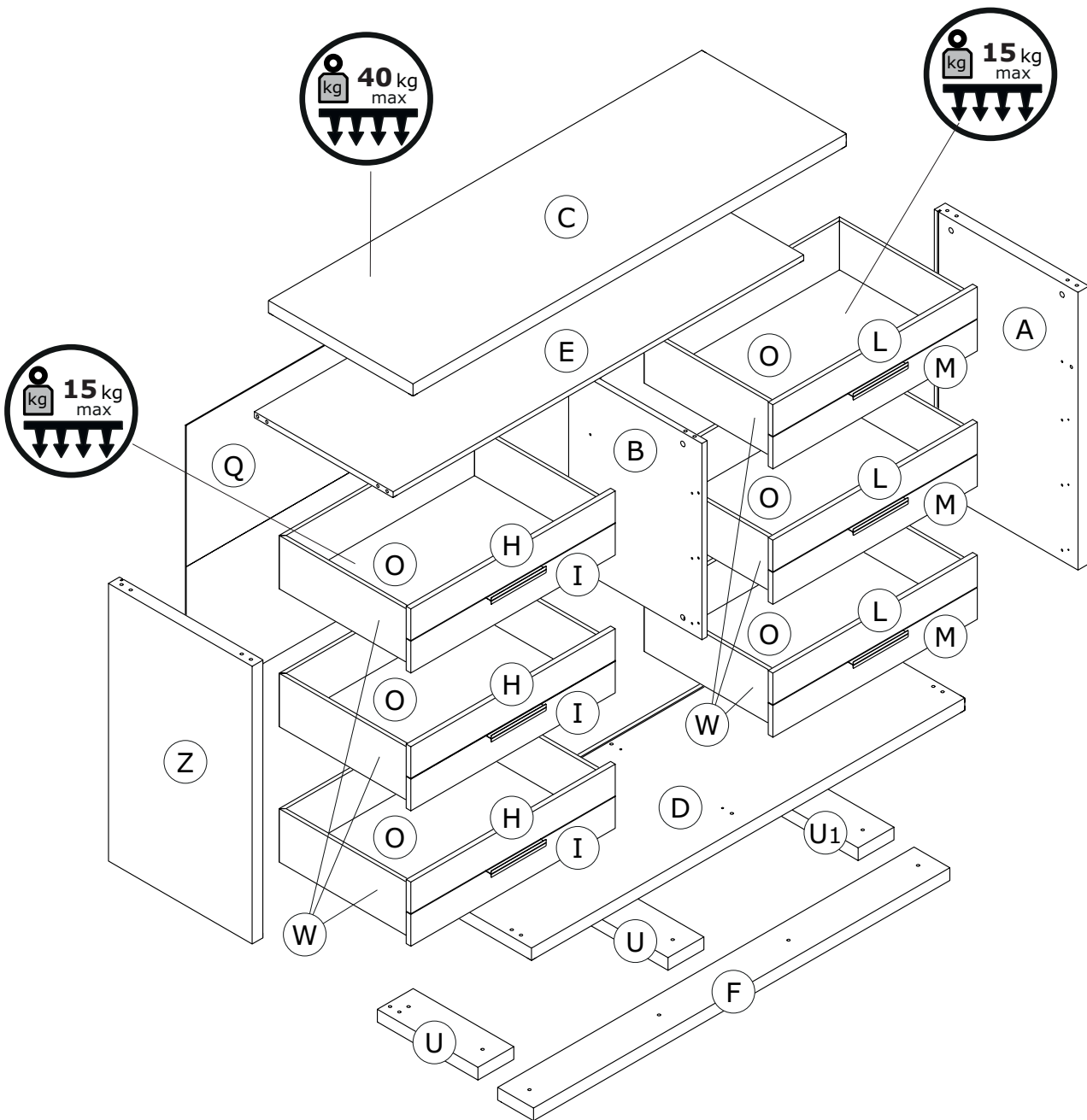
**V107**  
x18

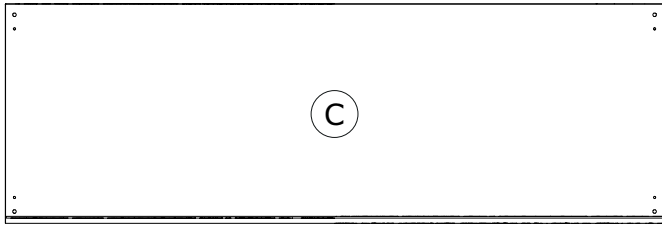


**H113**  
x6

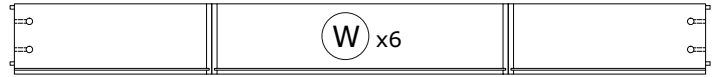


**V98**  
x18

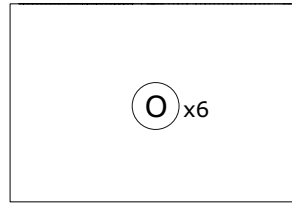




**CA3490**  
1500x500x38mm

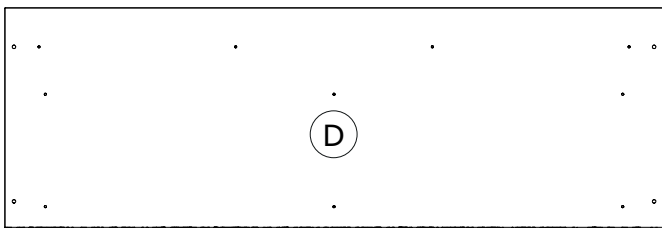


**OF0520**  
450x676x450mm H.160mm

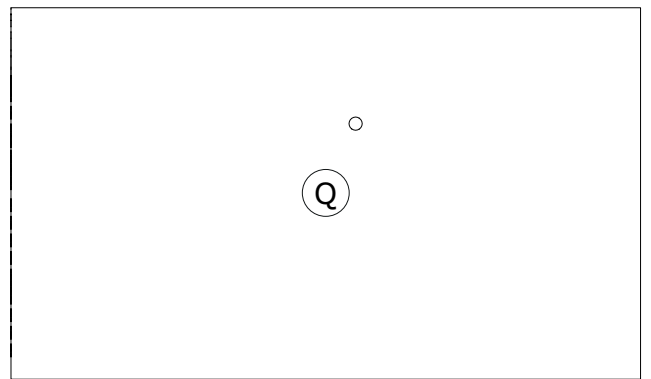


**SH3258**  
663x451x3mm

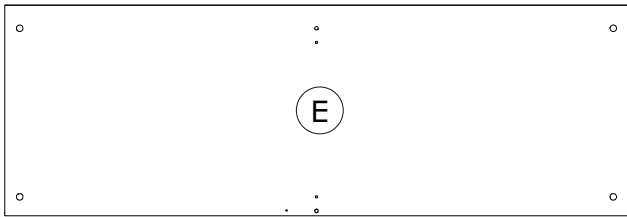
**BOX 1/3**



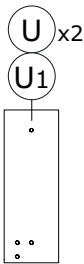
**BA2132**  
1500x500x38mm



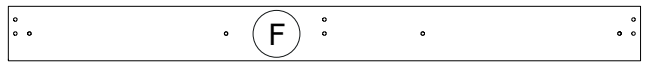
**SS0715**  
1434x846x3mm



**PI7061**  
1420x480x18mm

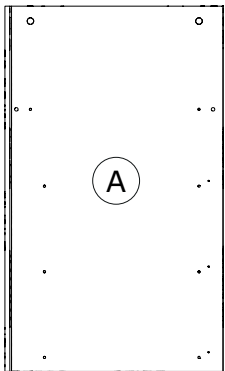


**Z01613**  
348x124x38mm

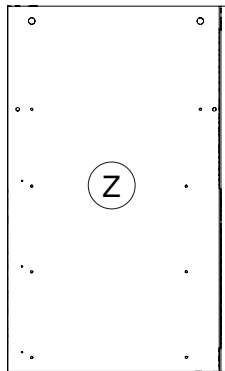


**Z01616**  
1440x124x38mm

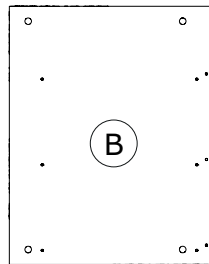
**BOX 2/3**



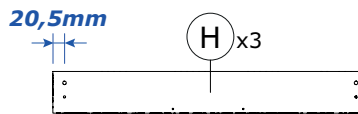
**FI8477**  
832x497x38mm



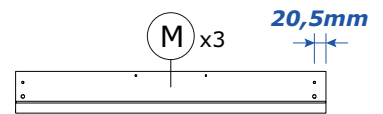
**FI8478**  
832x497x38mm



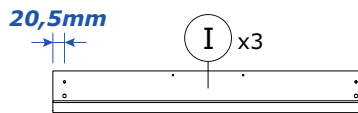
**TR2177**  
588x461x18mm



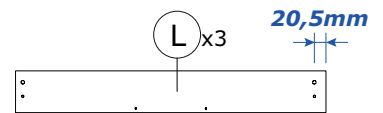
**CS3344**  
707x95x16mm



**CS3227**  
707x95x16mm



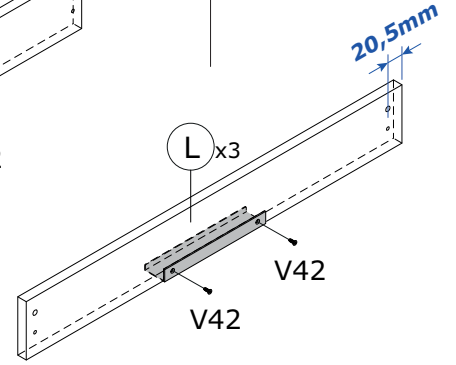
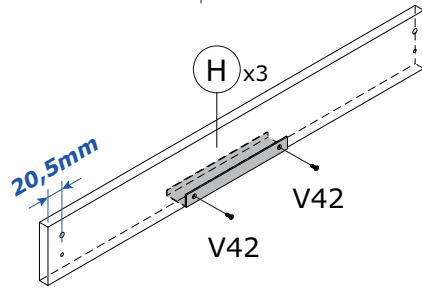
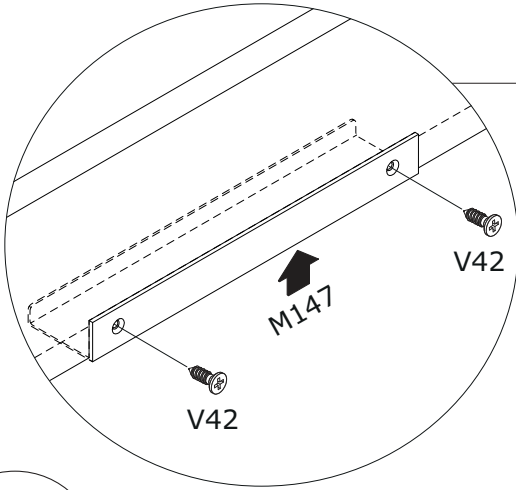
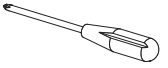
**CS3342**  
707x95x16mm



**CS3229**  
707x95x16mm

**BOX 3/3**

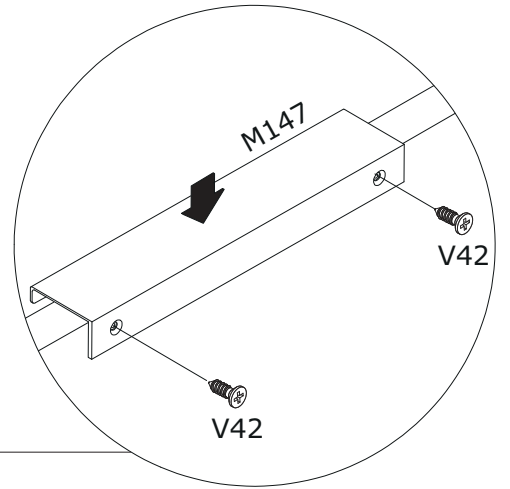
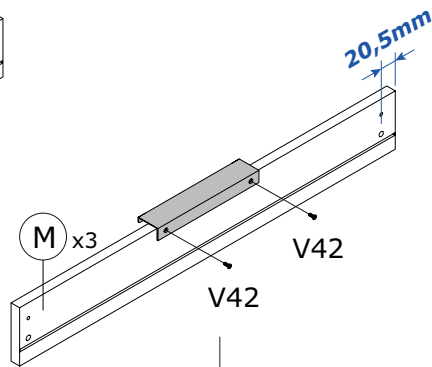
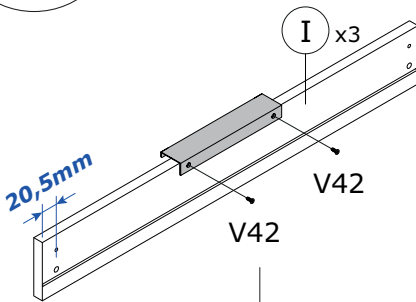
1



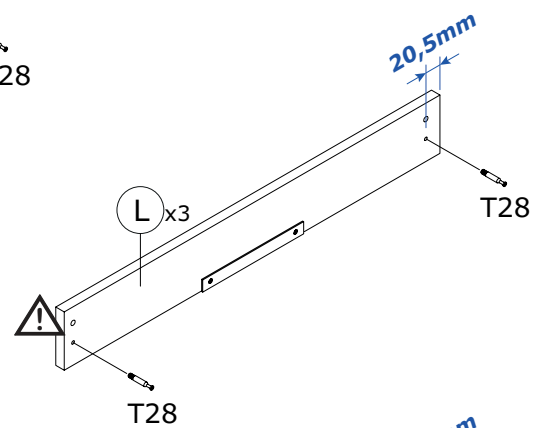
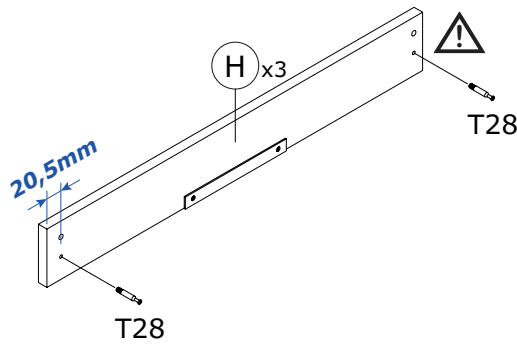
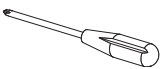
24x



V42

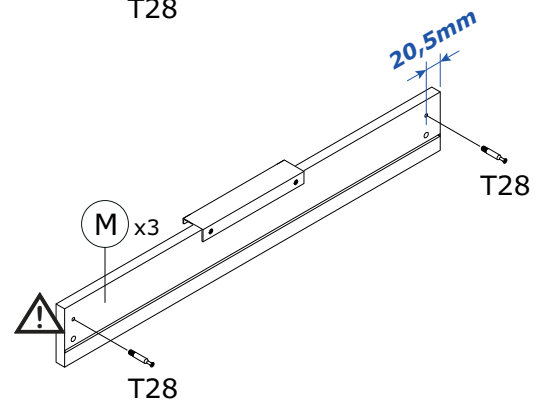
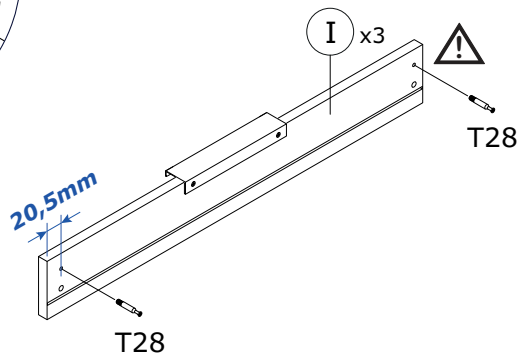


2

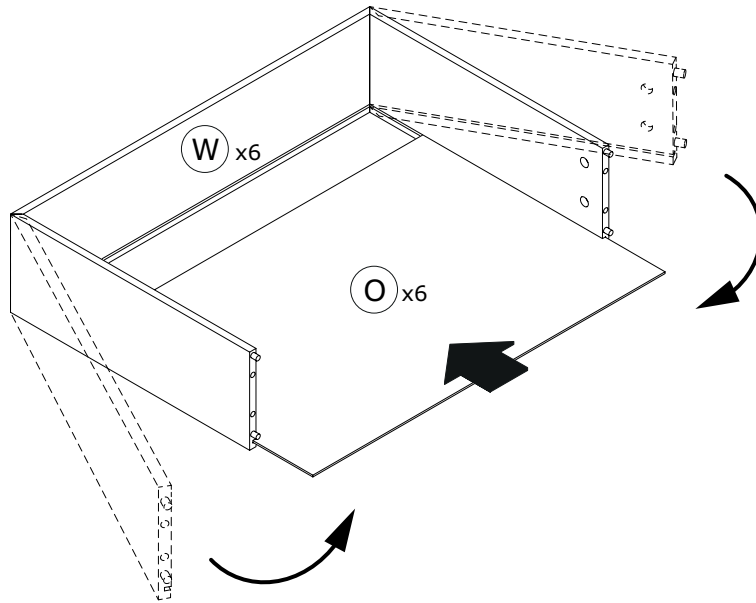


24x

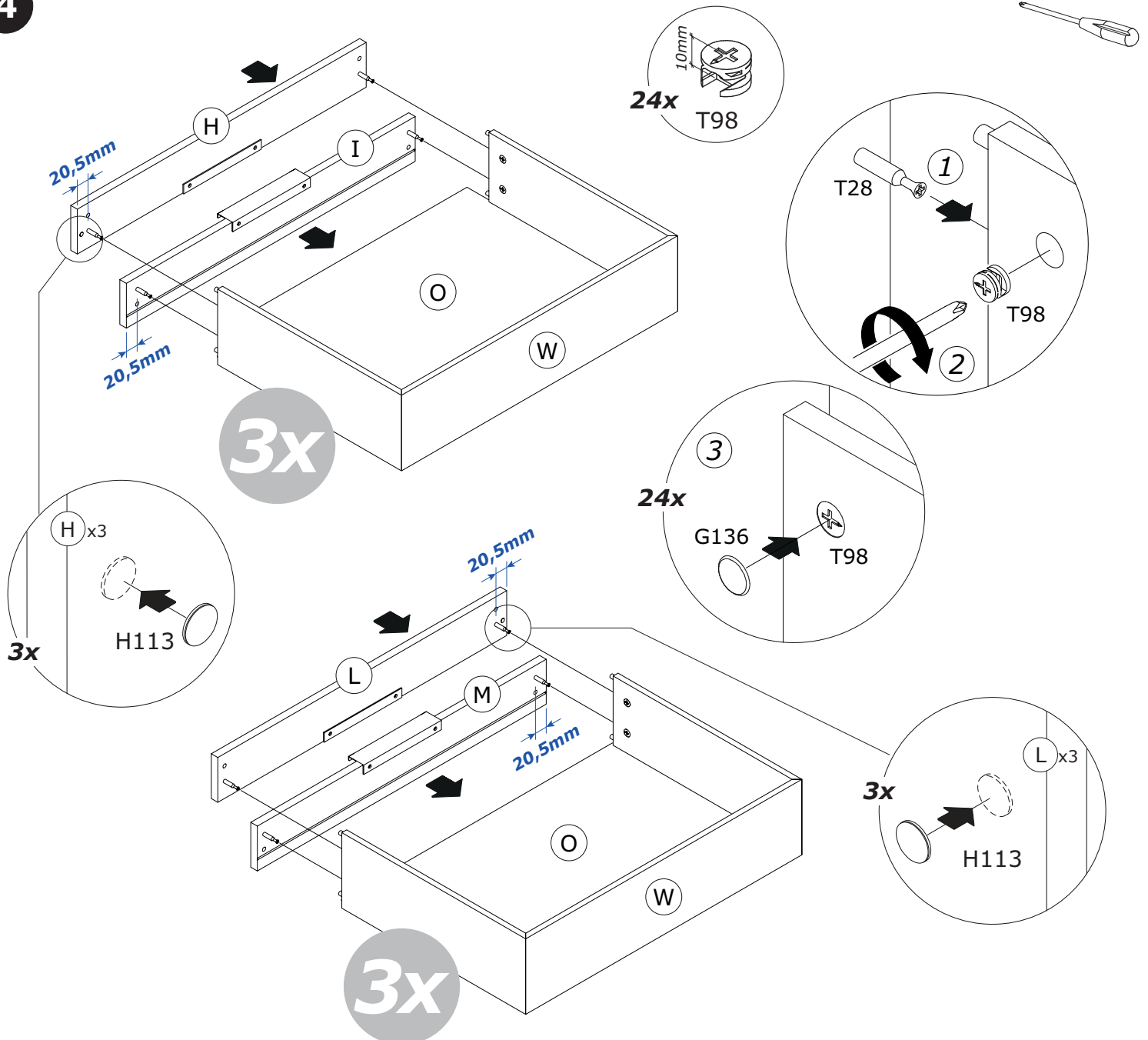
T28



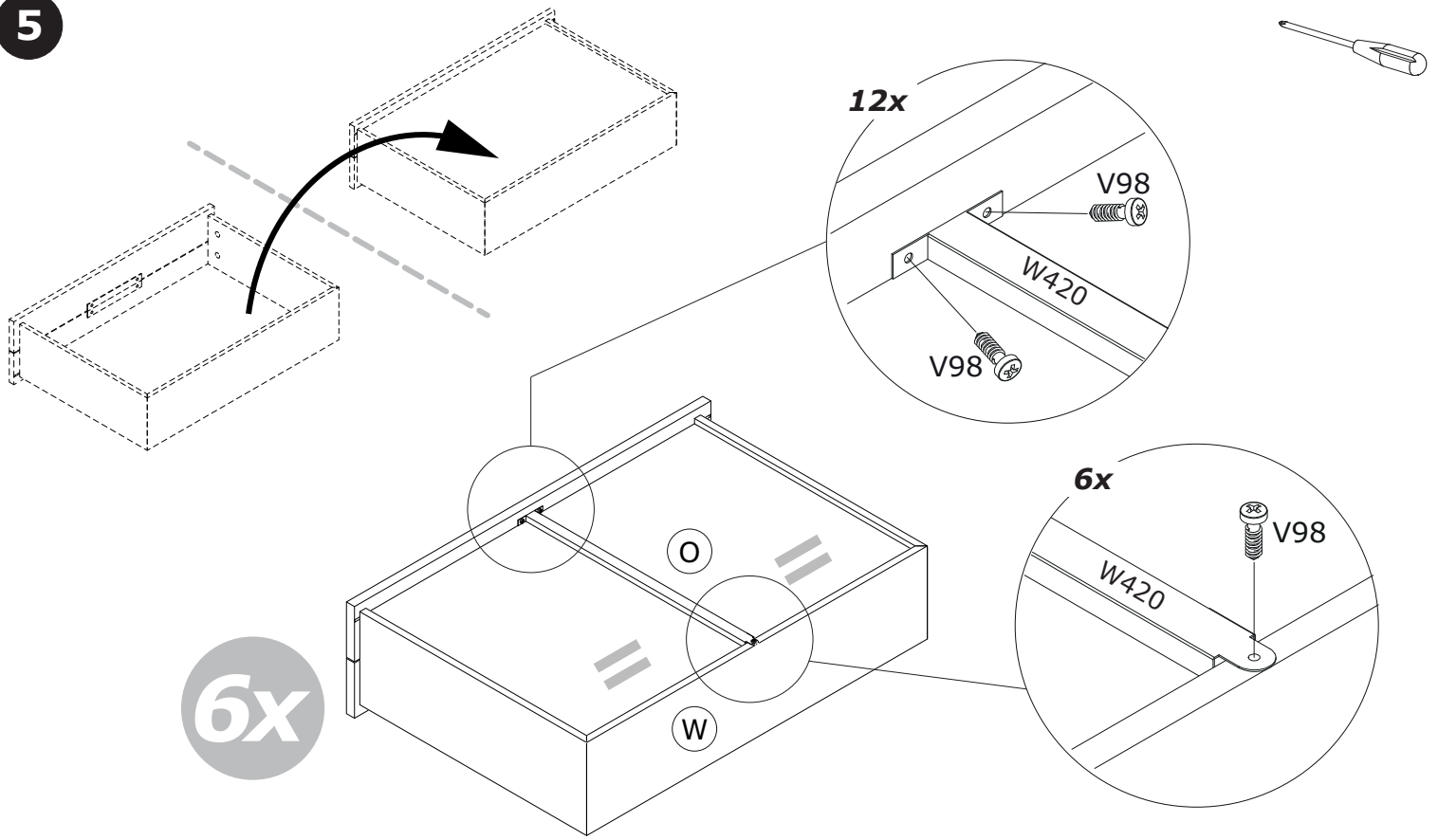
3



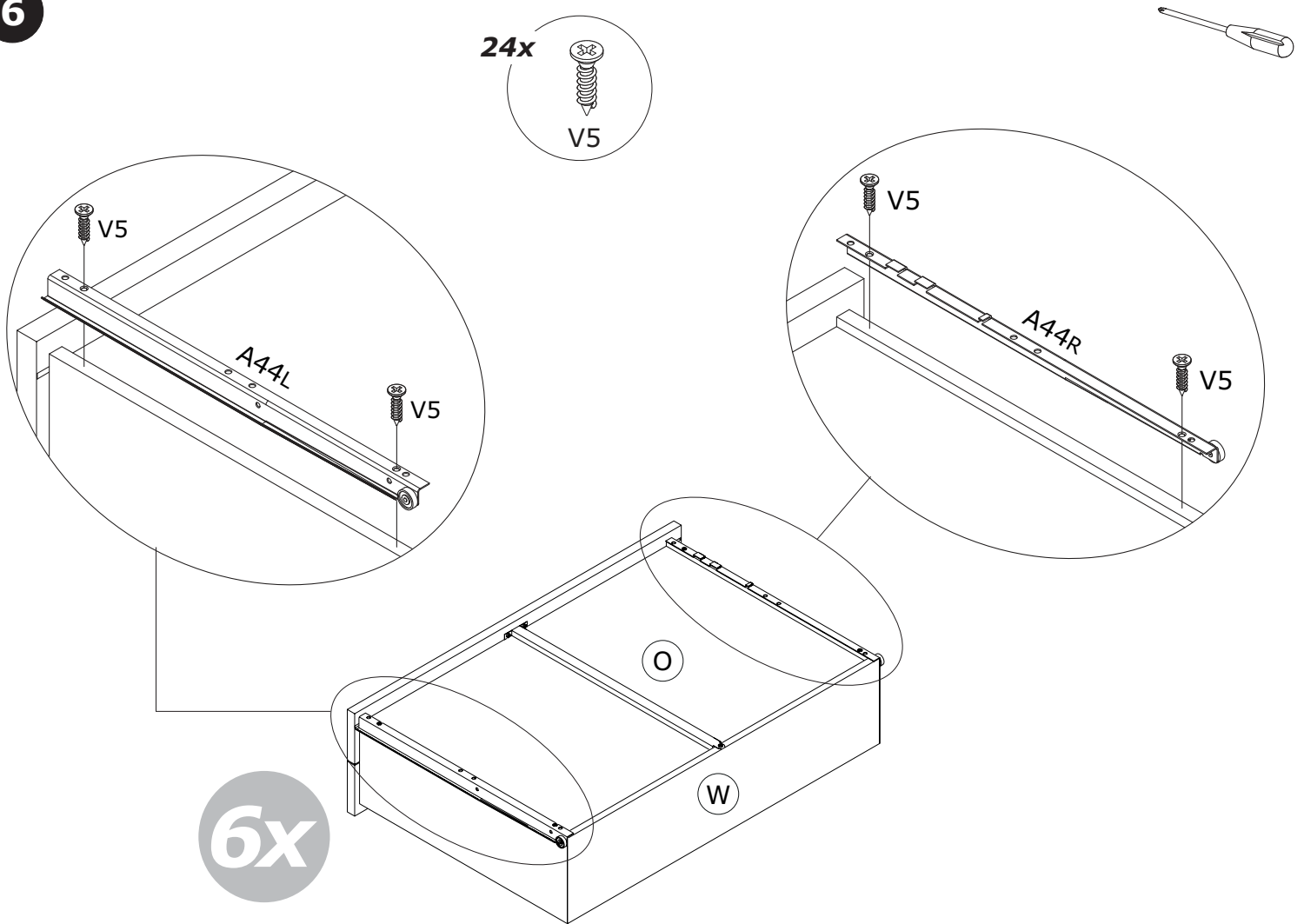
4



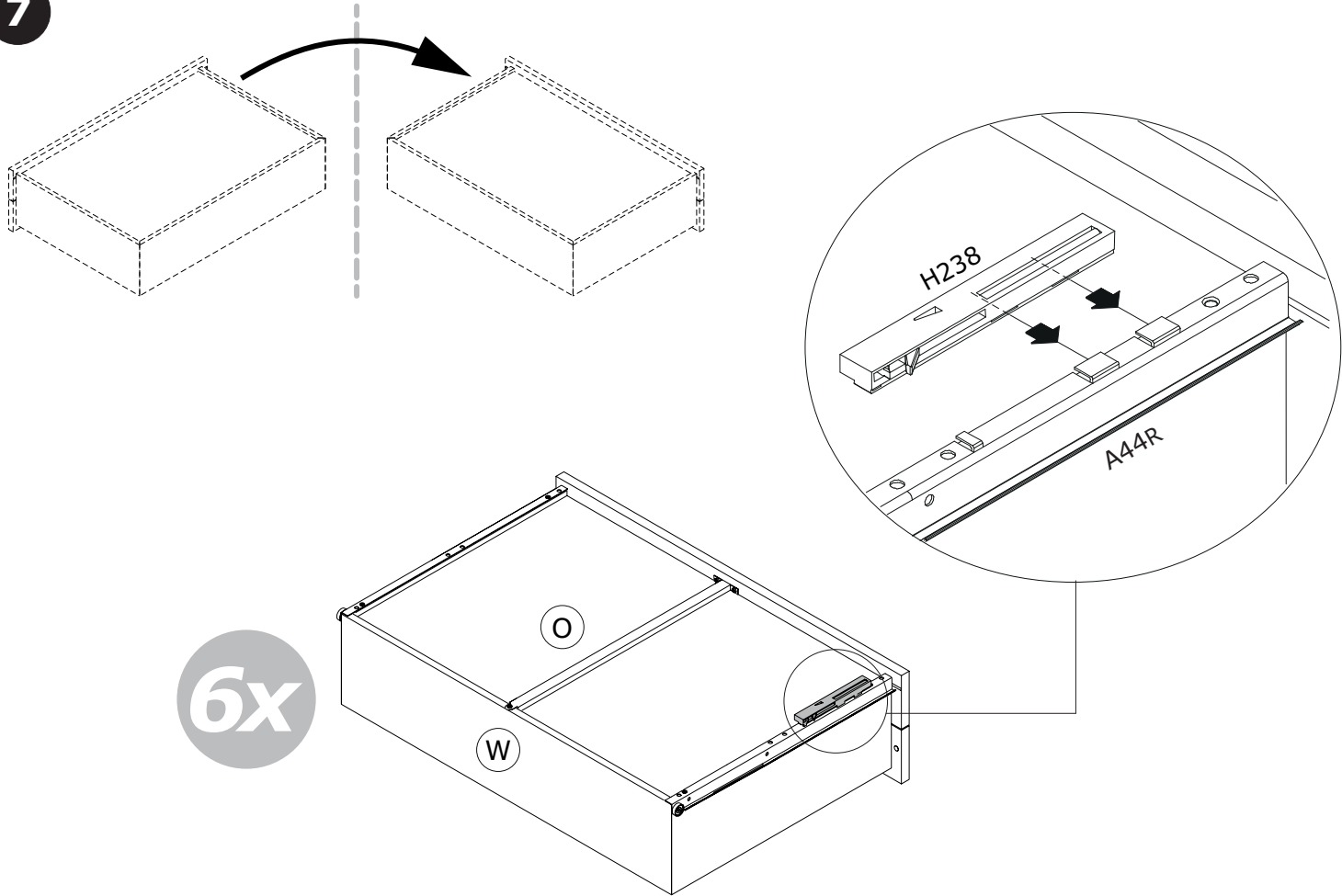
5



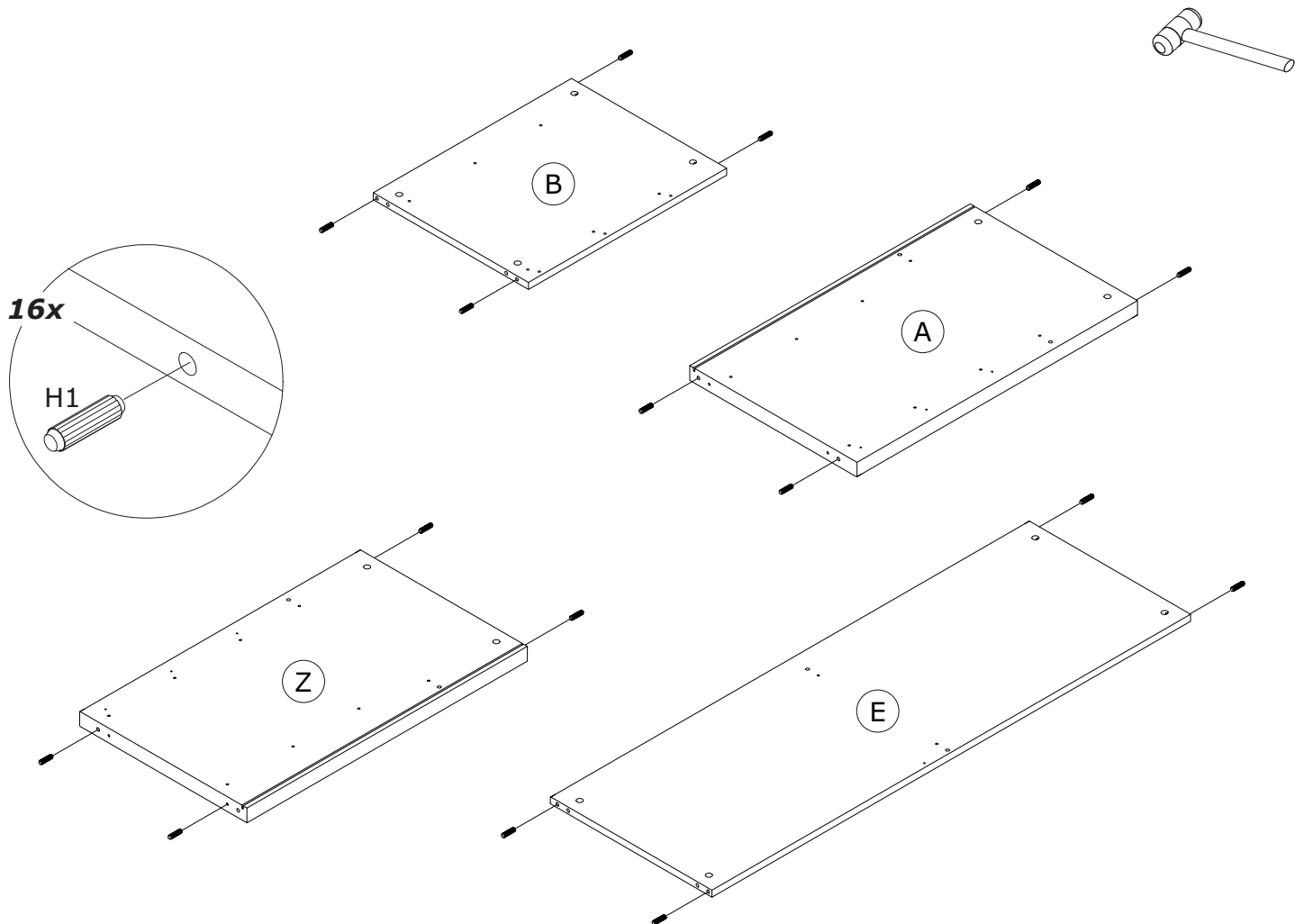
6



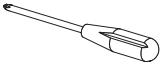
7



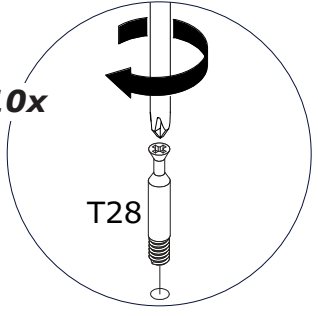
8



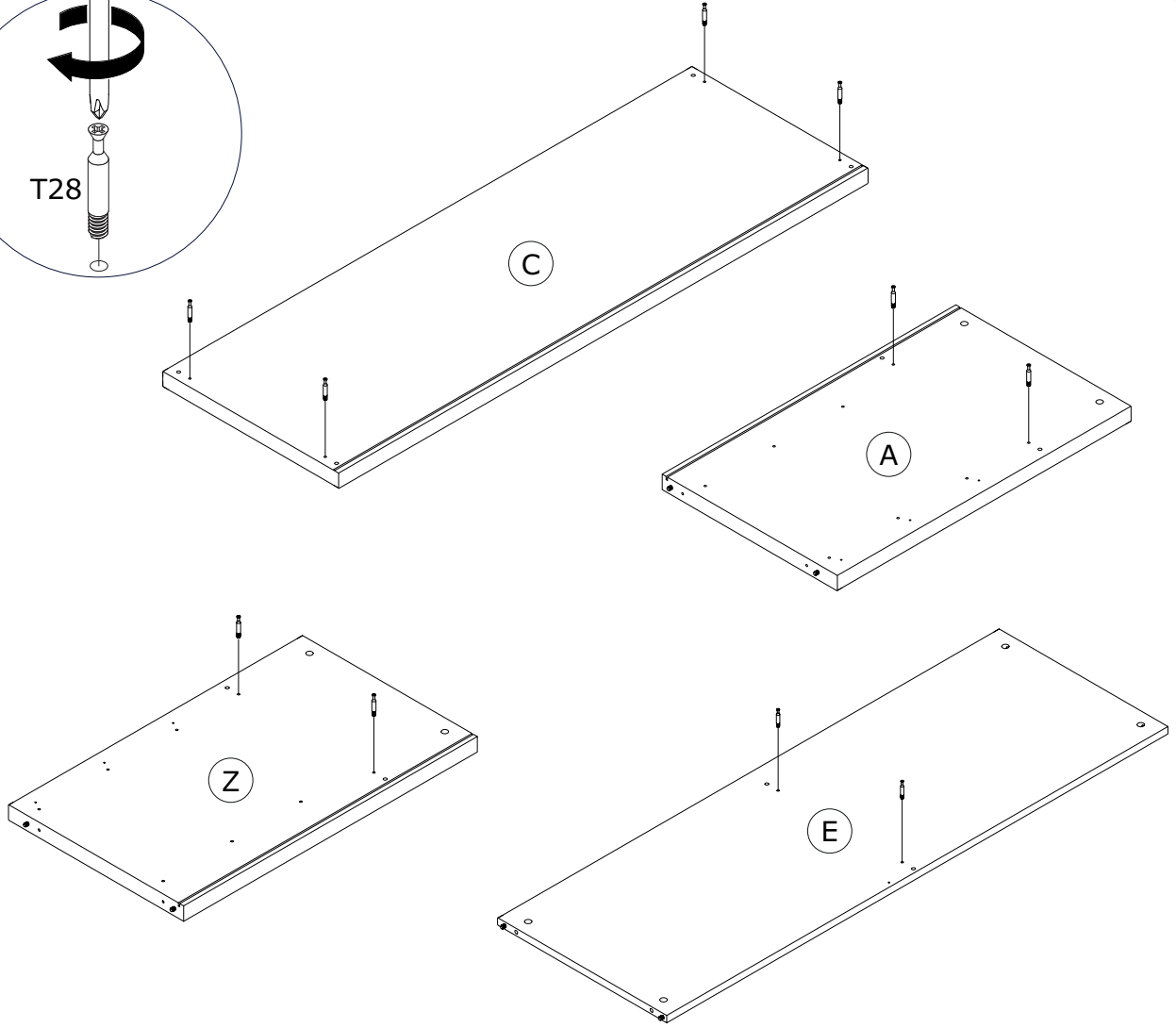
9



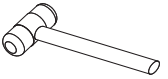
10x



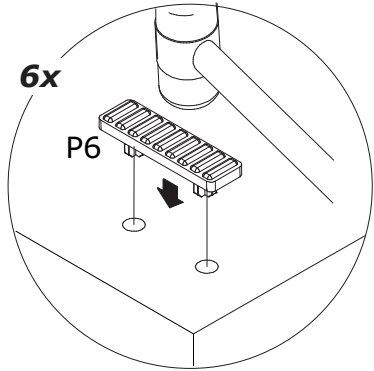
T28



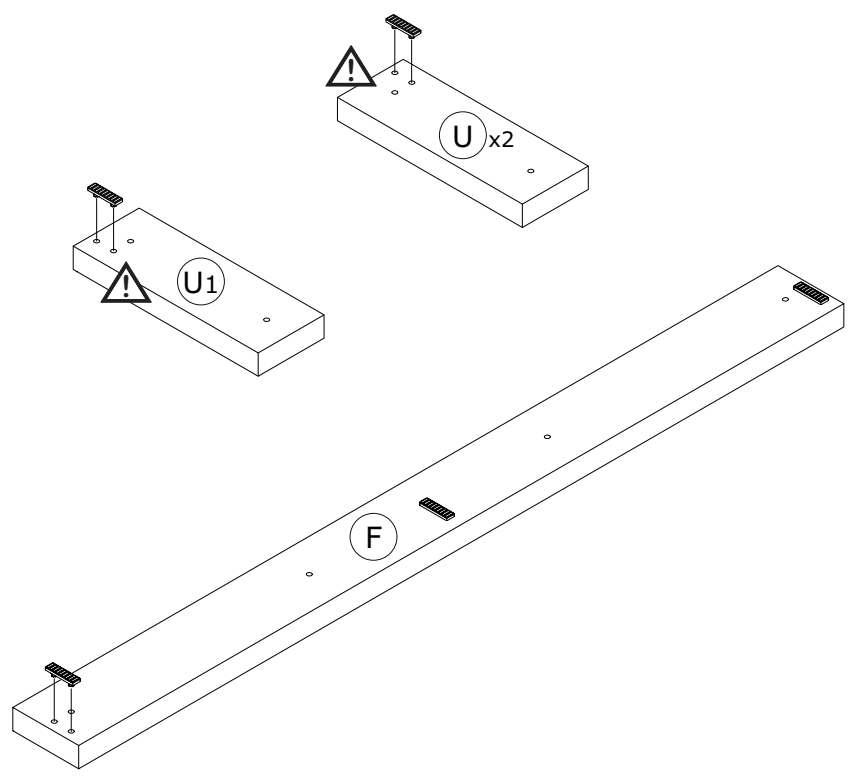
10



6x



P6

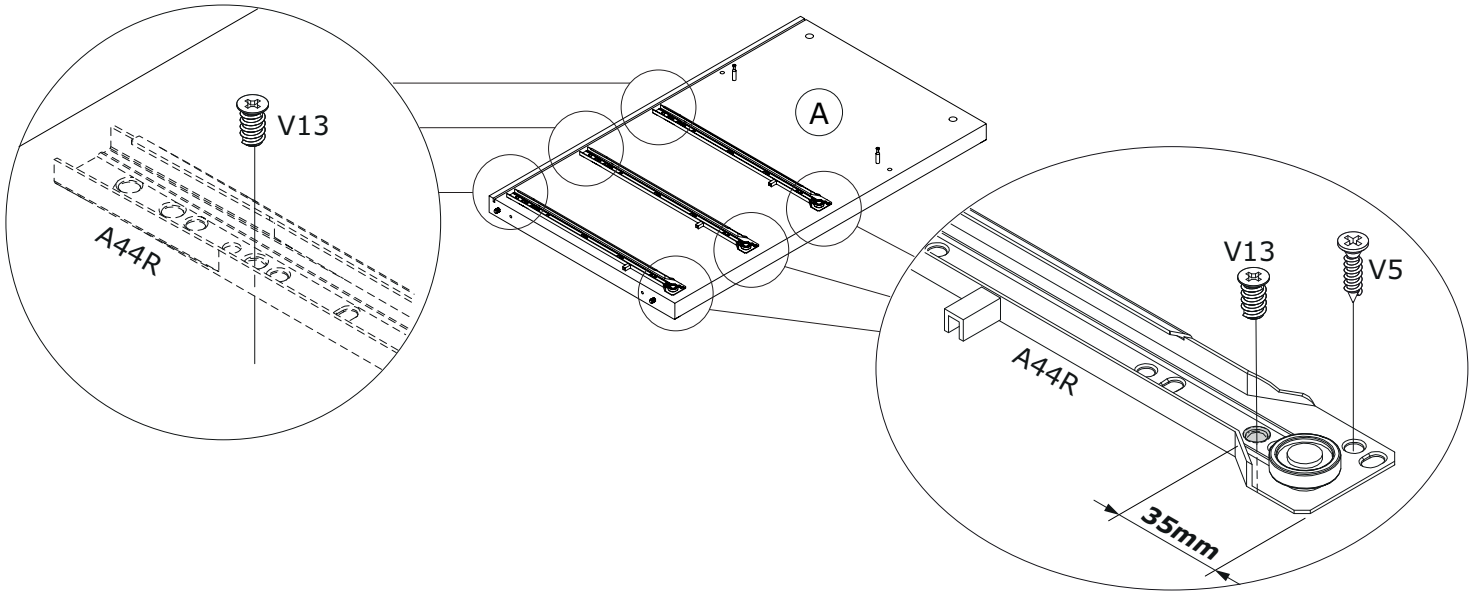
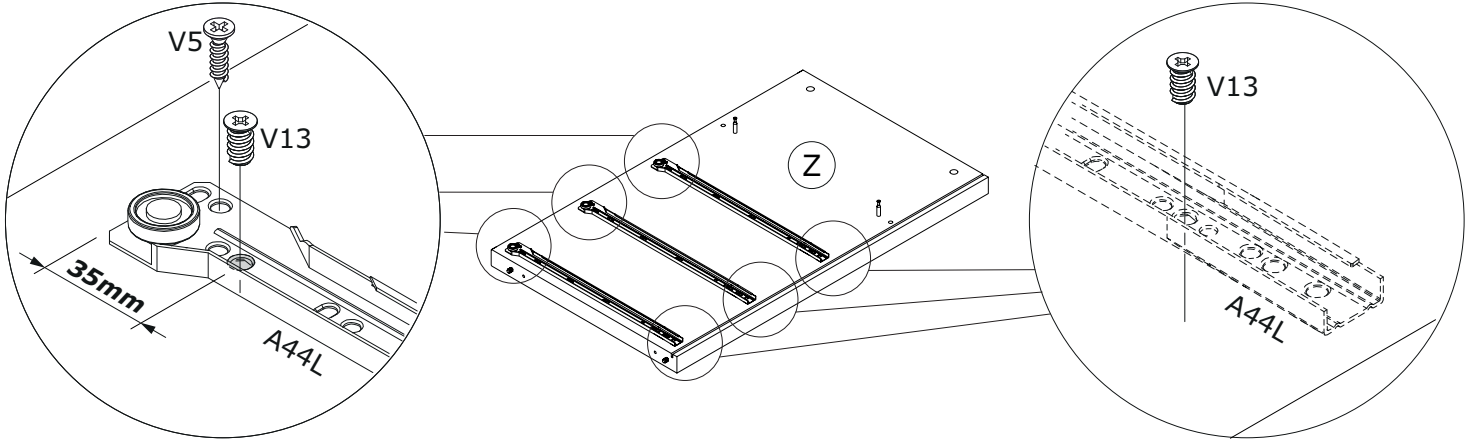
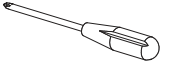


11

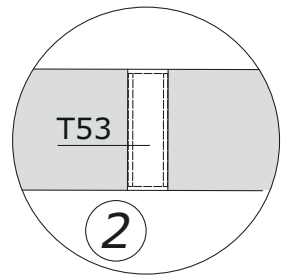
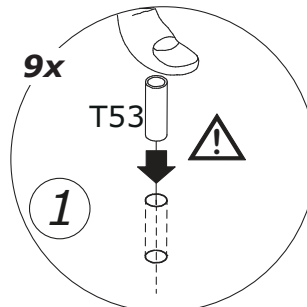
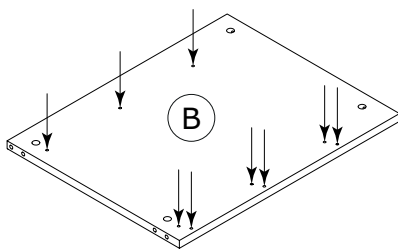
12x



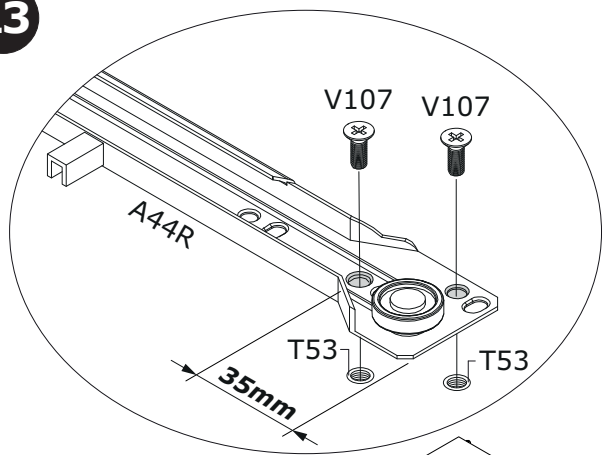
6x



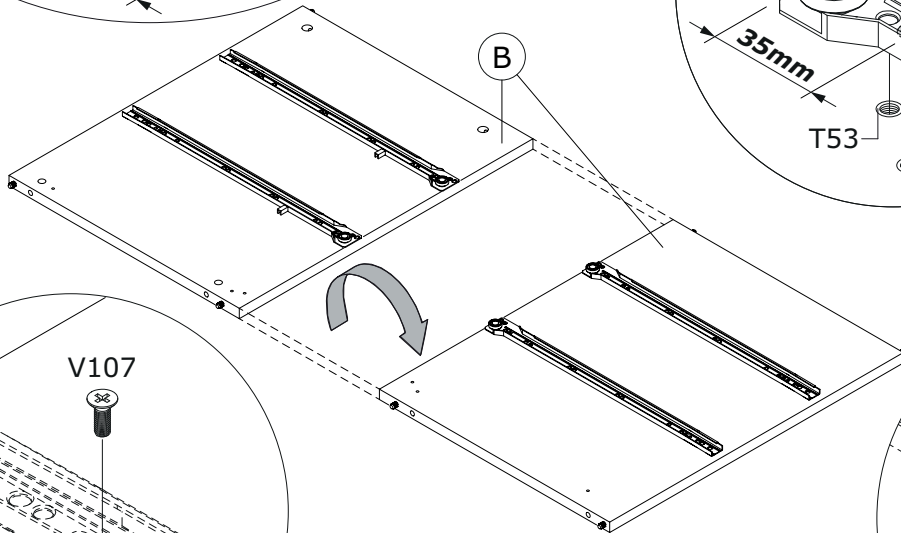
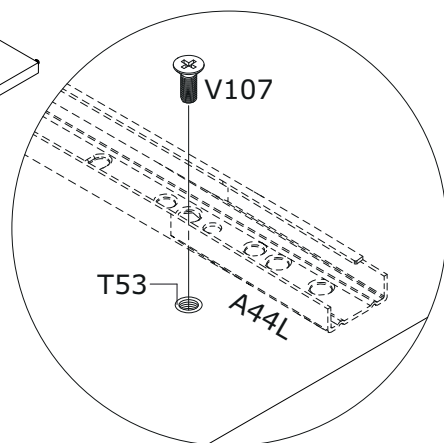
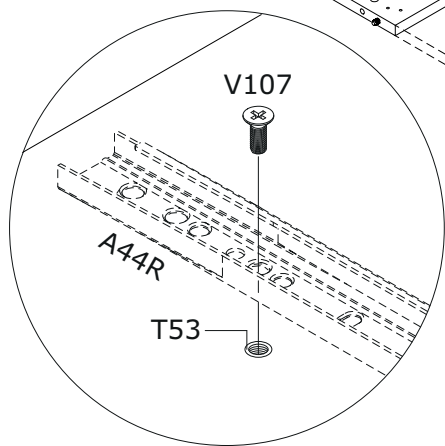
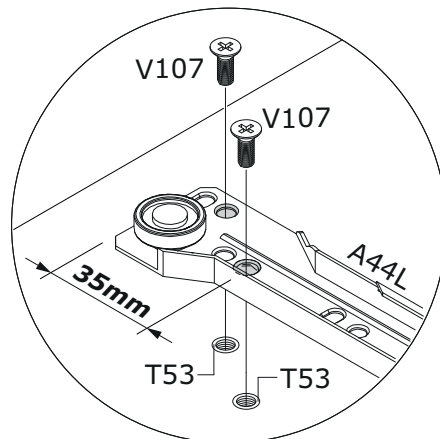
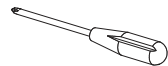
12



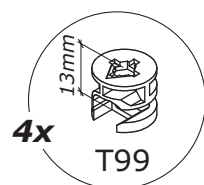
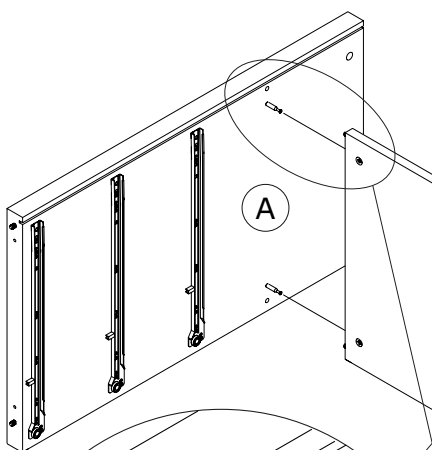
13



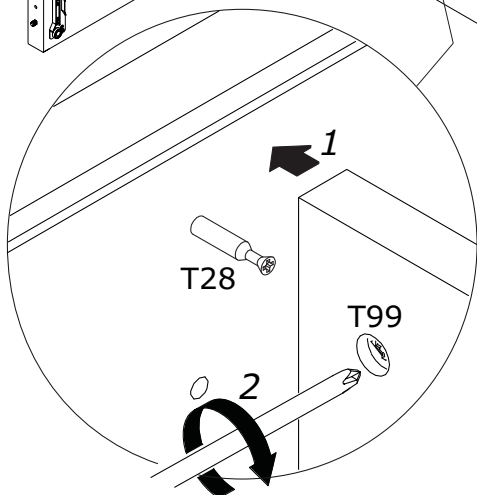
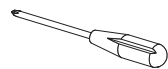
12x



14



4x

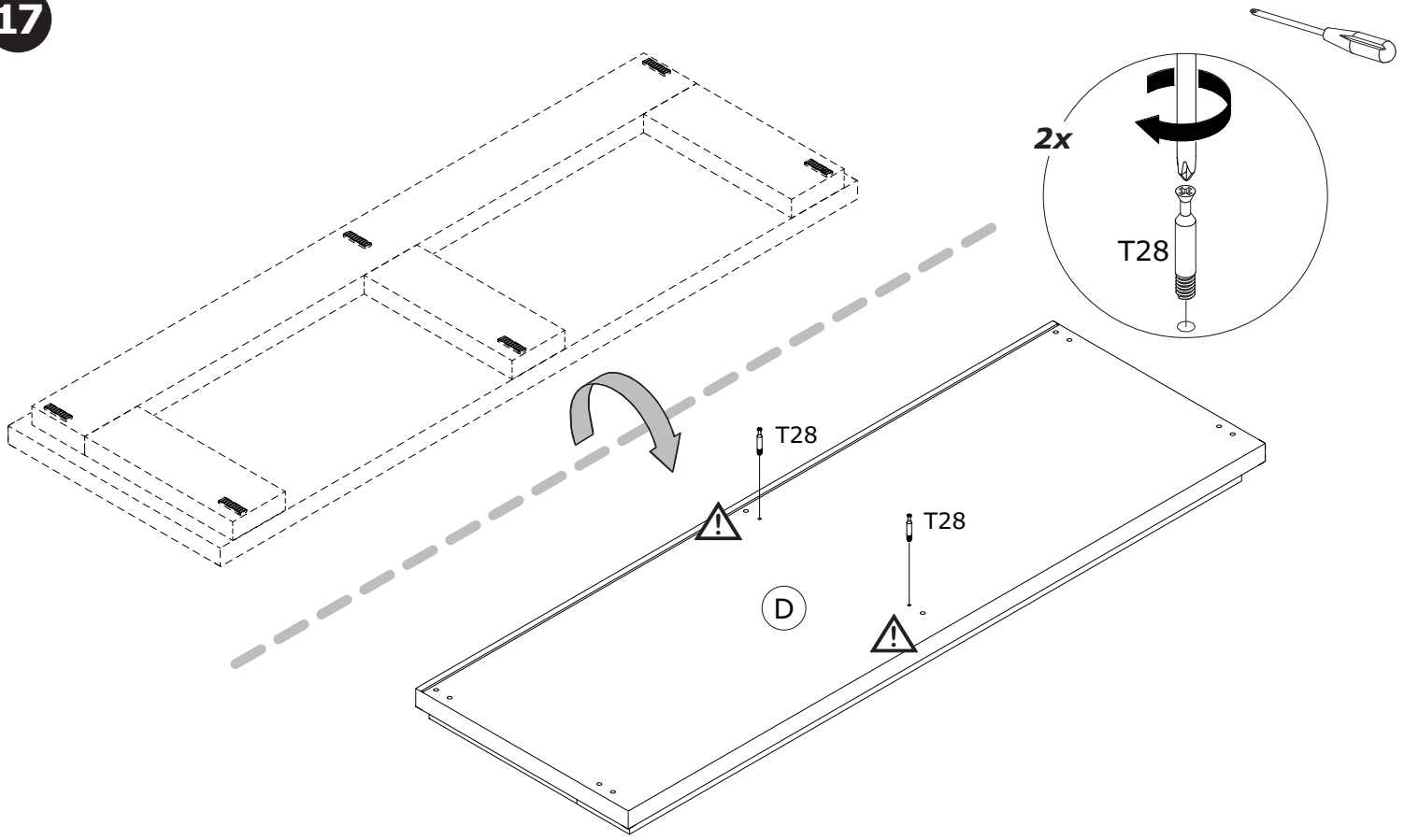


E

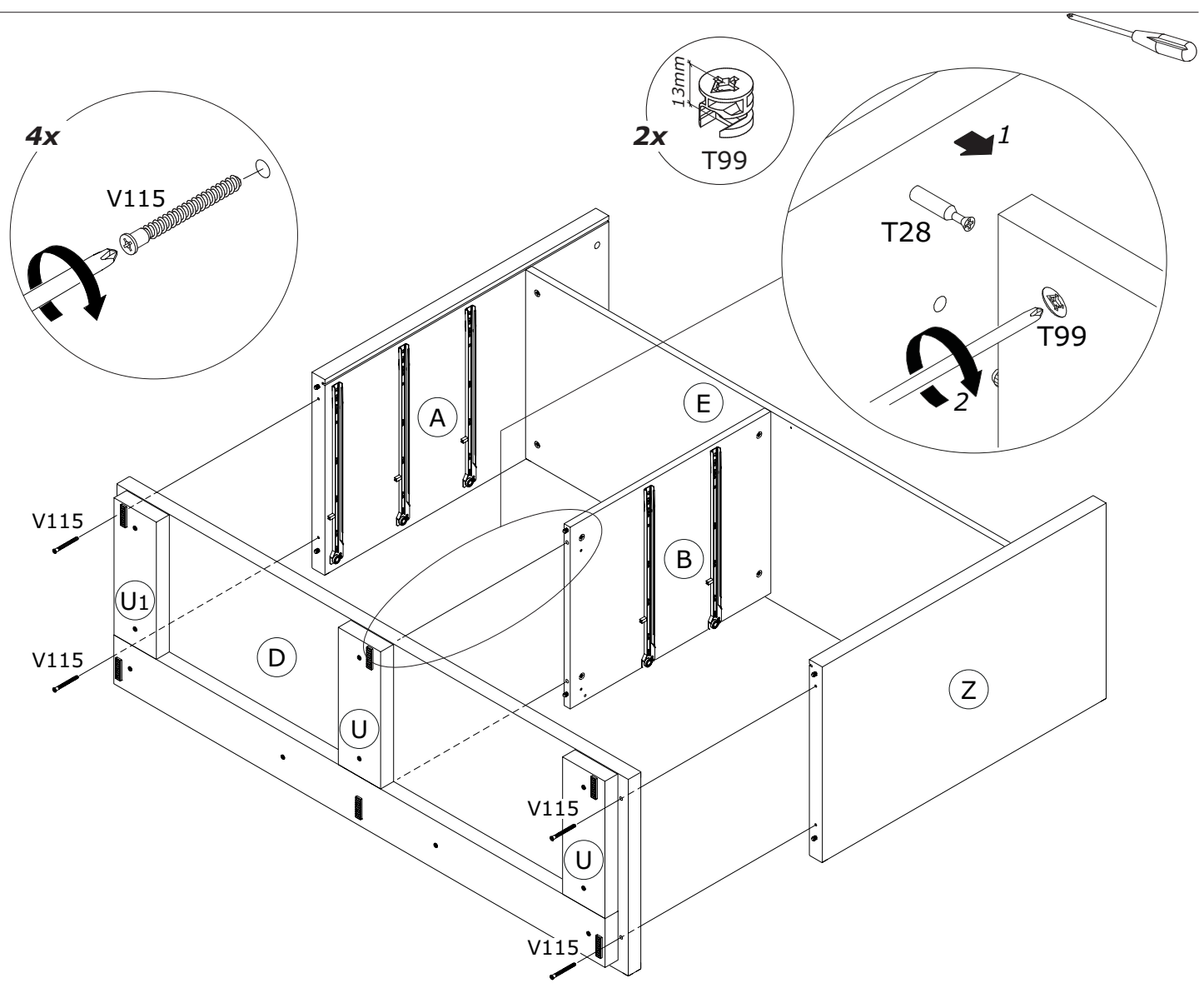
Z



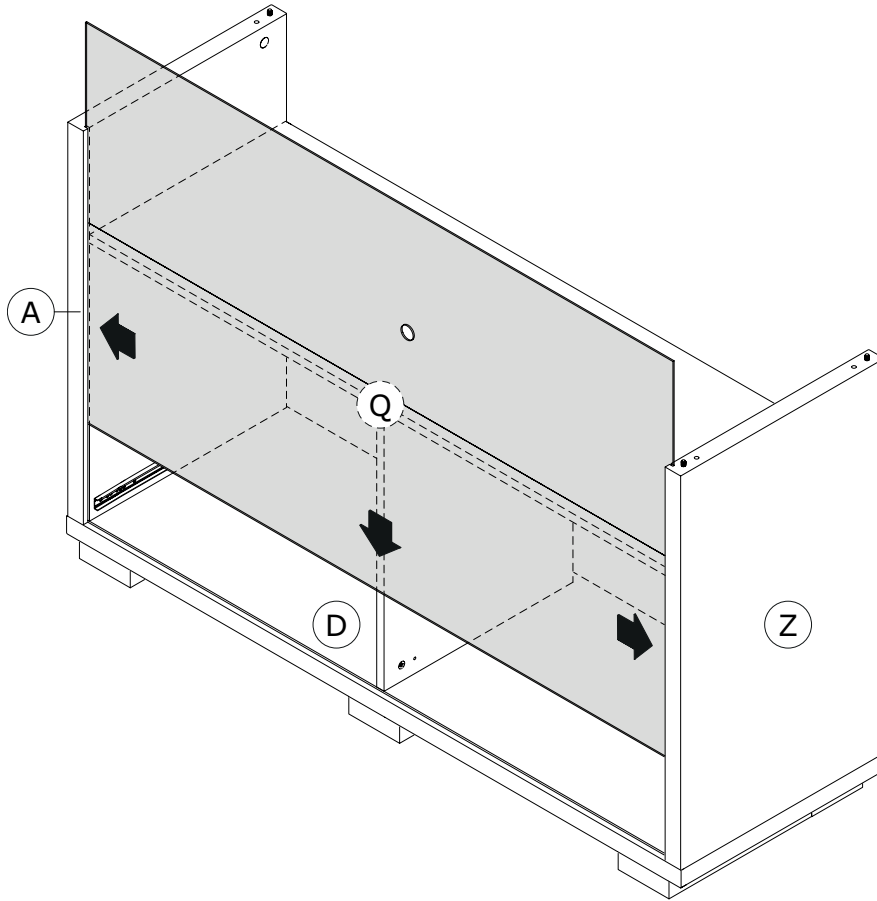
17



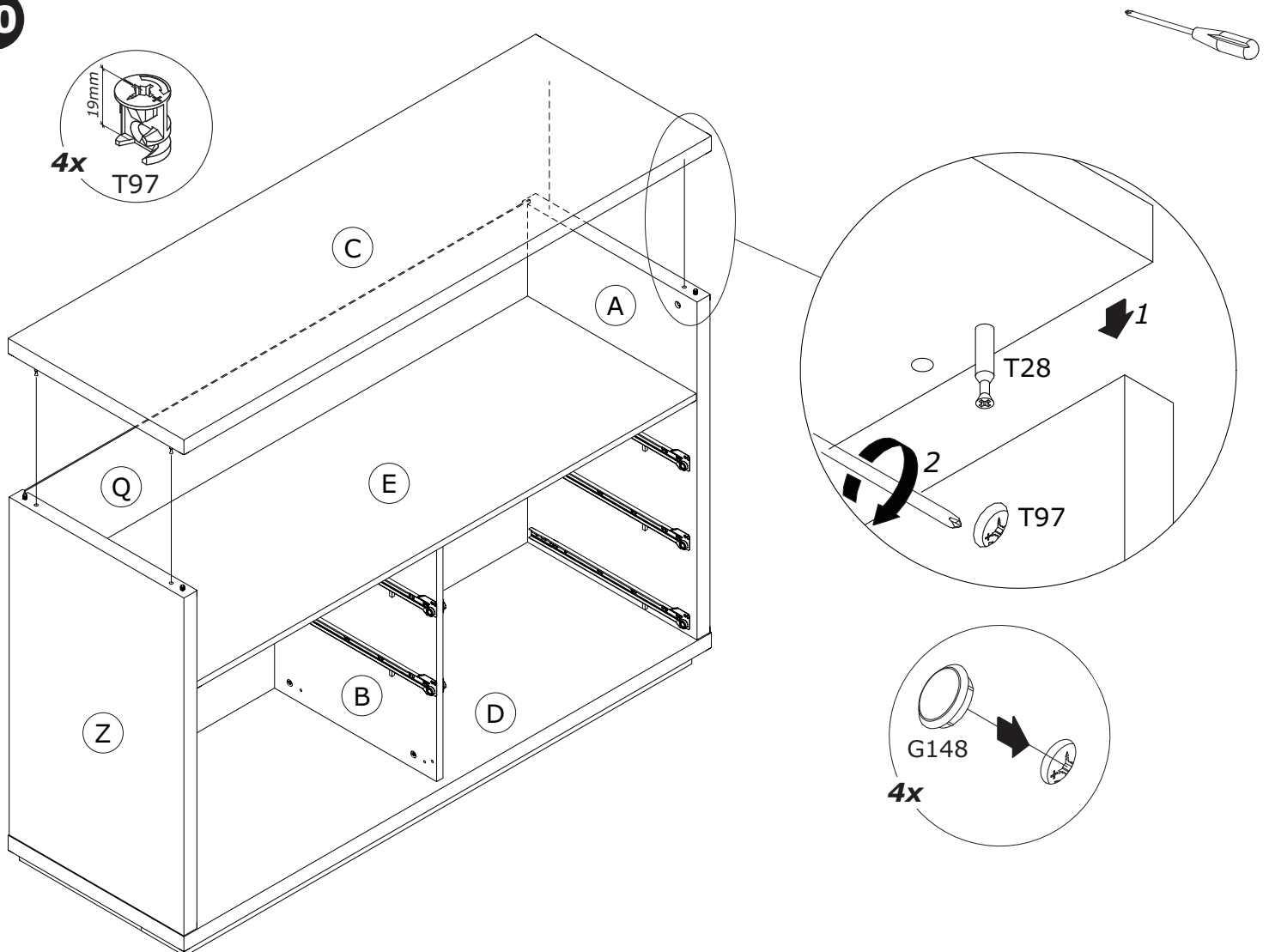
18

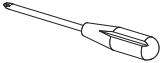


19

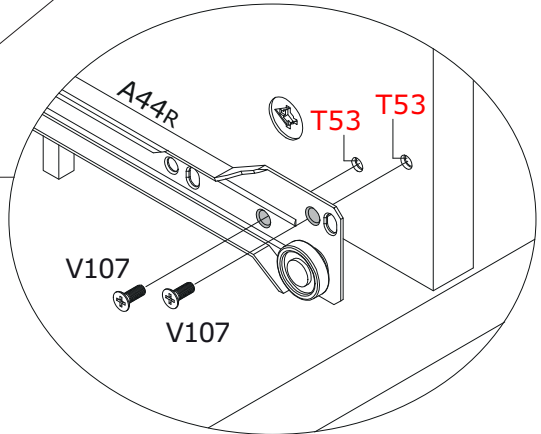
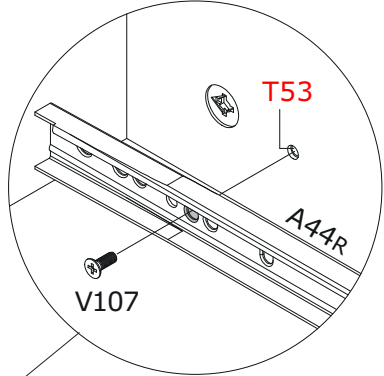
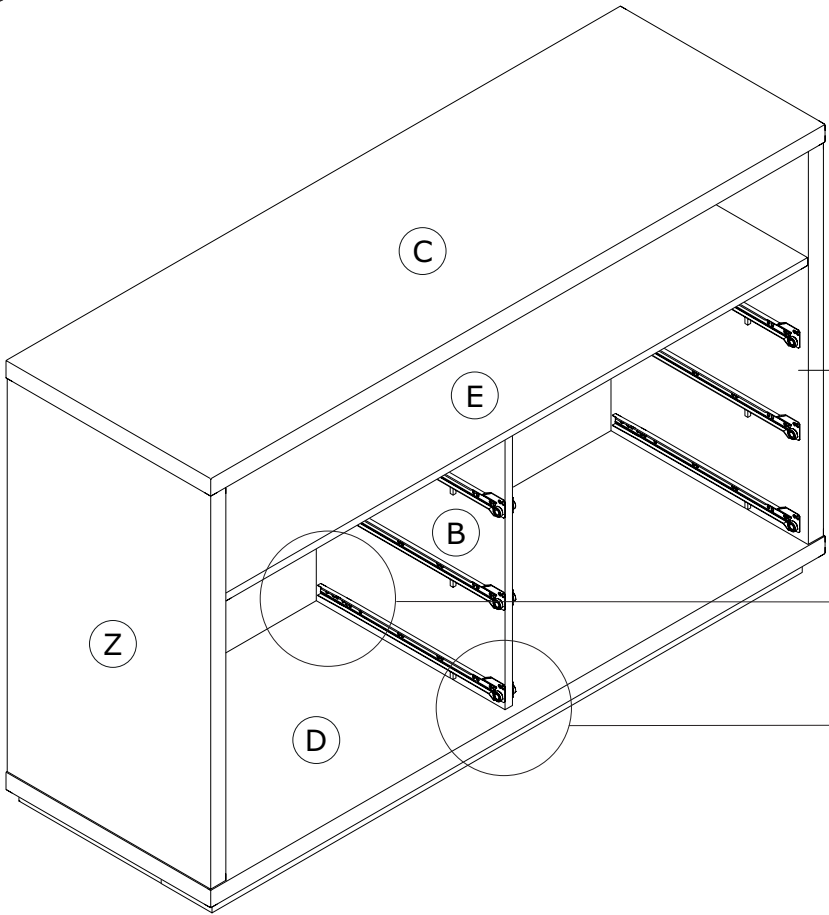


20

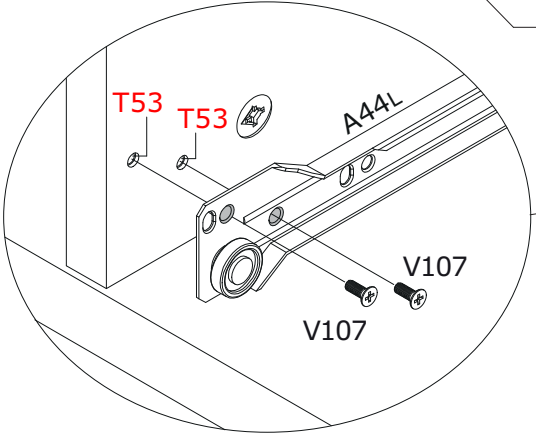
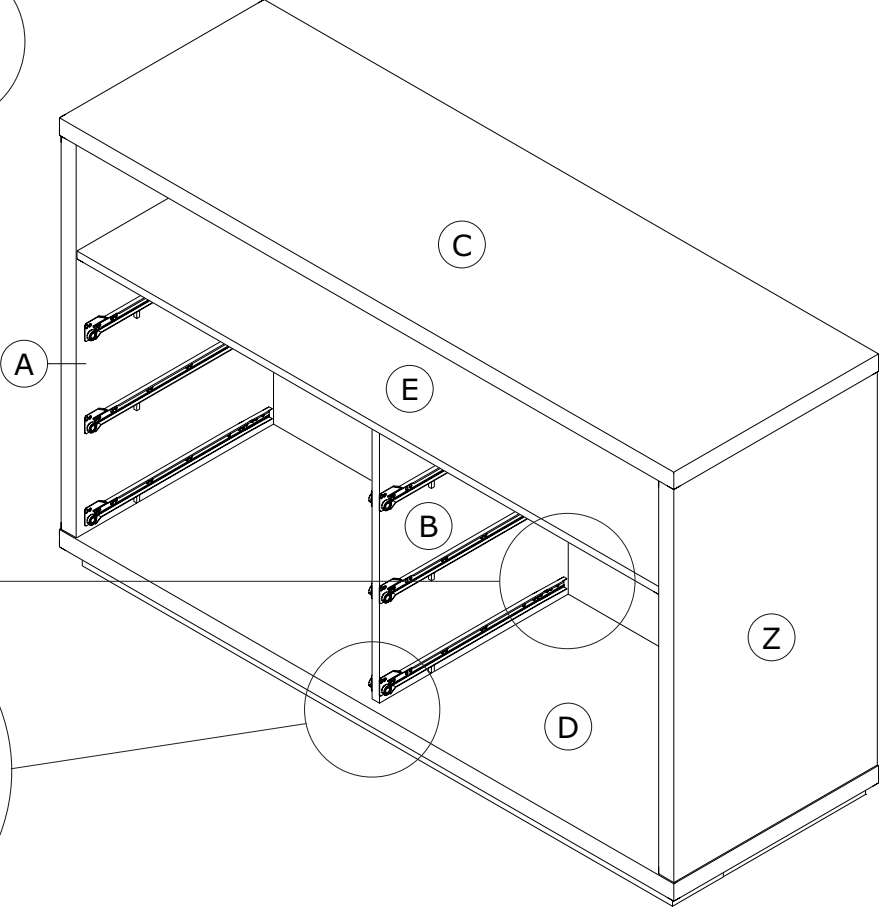
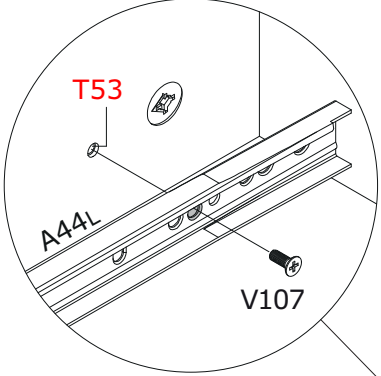




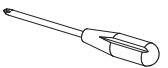
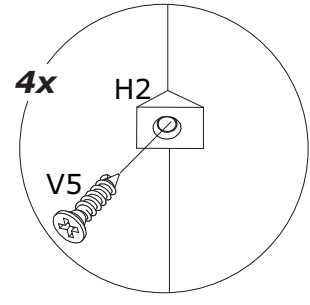
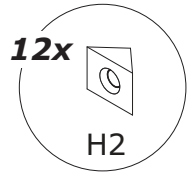
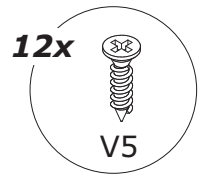
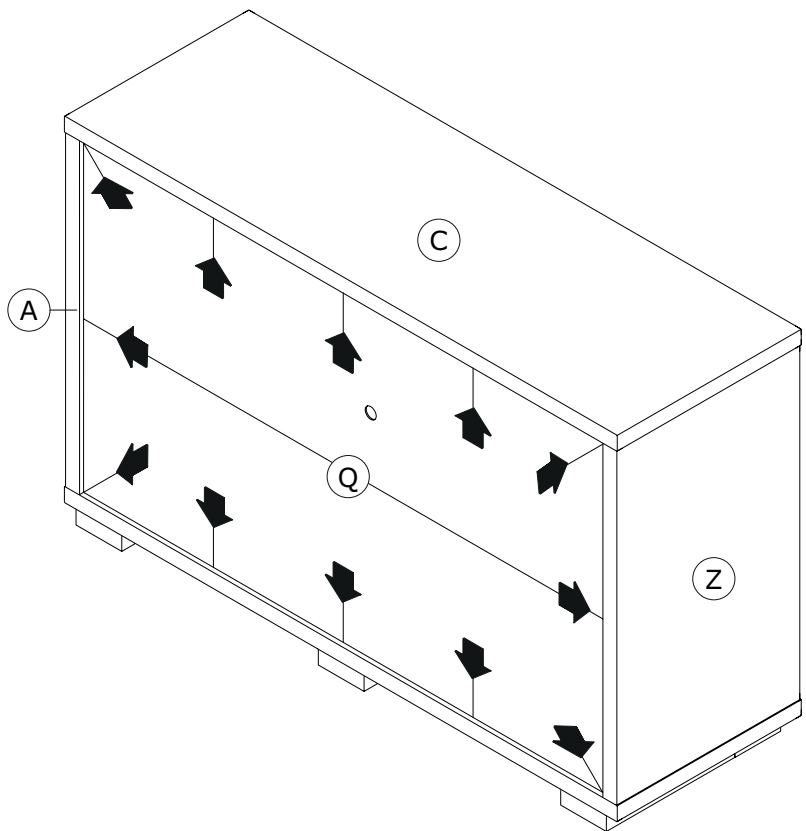
3x  
V107



3x  
V107



22



23

