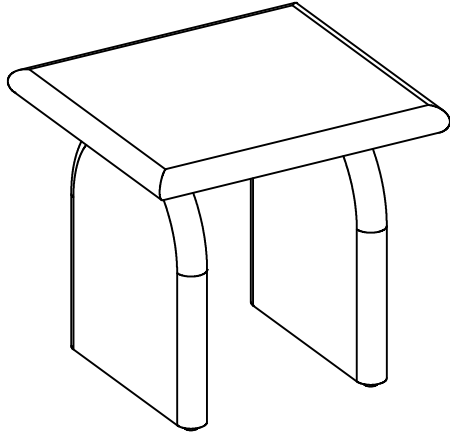
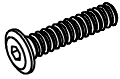


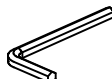
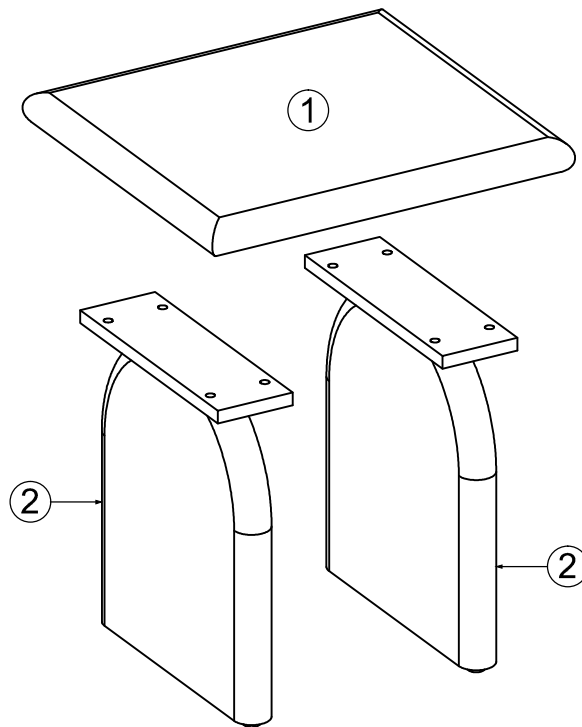
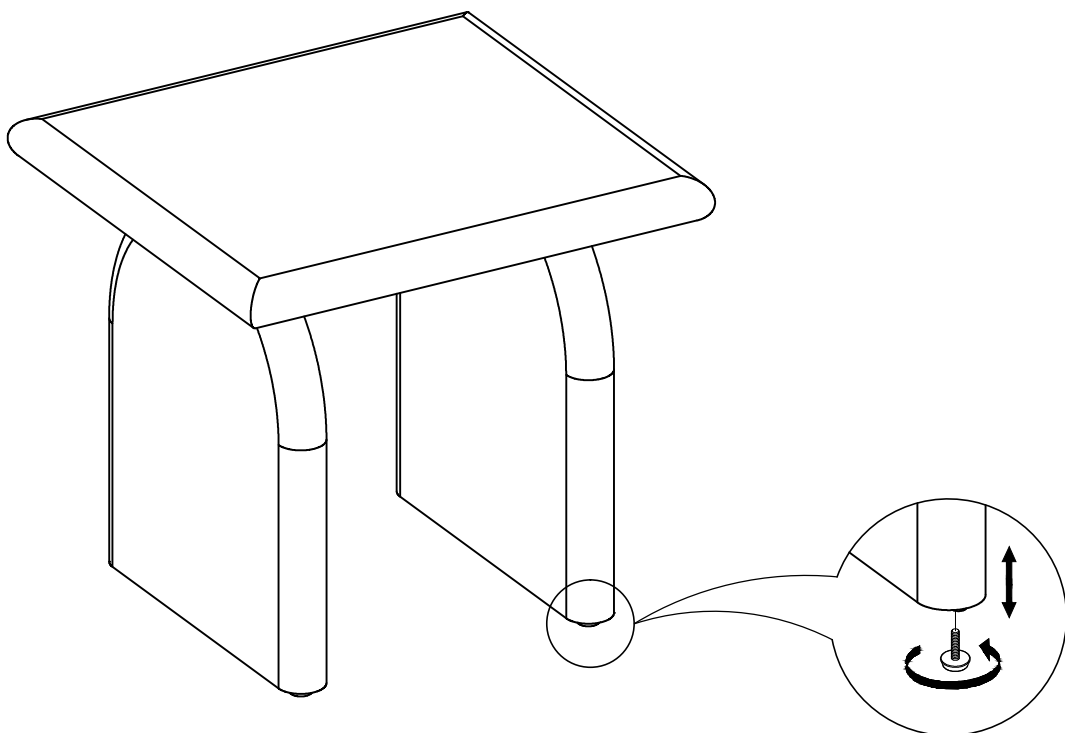
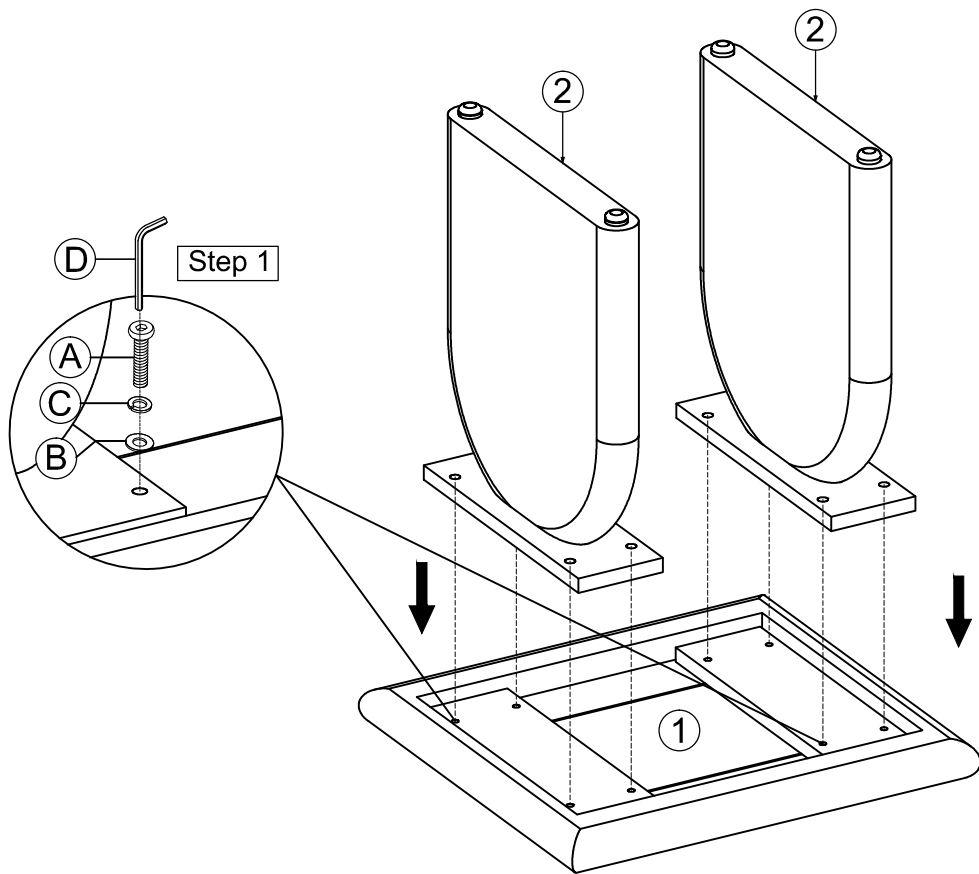


ASSEMBLY INSTRUCTION FOR
MODEL : END TABLE



HARDWARE LIST			
A		BOLT M8 x 40	8
B		FLAT WASHER	8
C		SPRING WASHER	8
D		ALLEN KEY M4	1





Adjust the leveler to balance the products.