

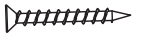



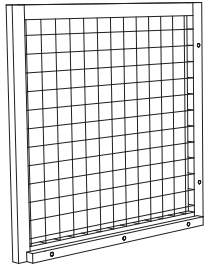
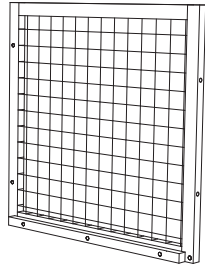


ASSEMBLY INSTRUCTIONS

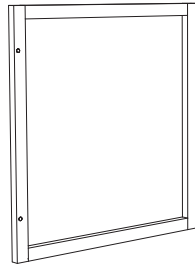
| | | |
|--|--|--|
|  A M3.5*60 9PCS |  B M3.5*50 4PCS |  C M3.5*35 16PCS |
|  D M3.0*32 18PCS |  E M3.0*14 16PCS |  F 9PCS |



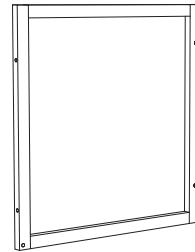
①



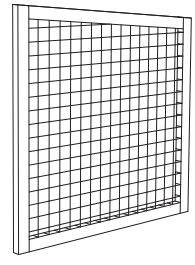
②



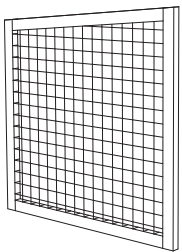
③



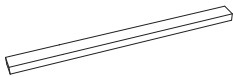
④



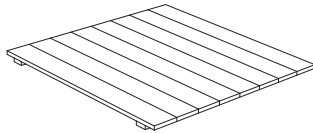
⑤



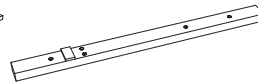
⑥



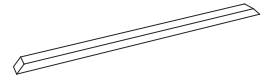
⑦



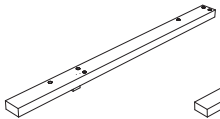
⑧ x2



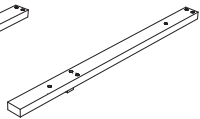
⑨ x3



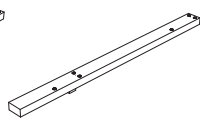
⑩ x3



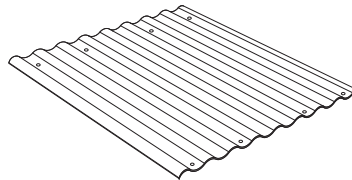
⑪



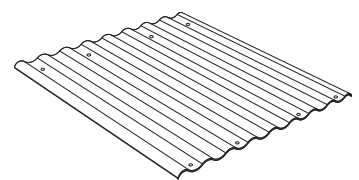
⑫



⑬



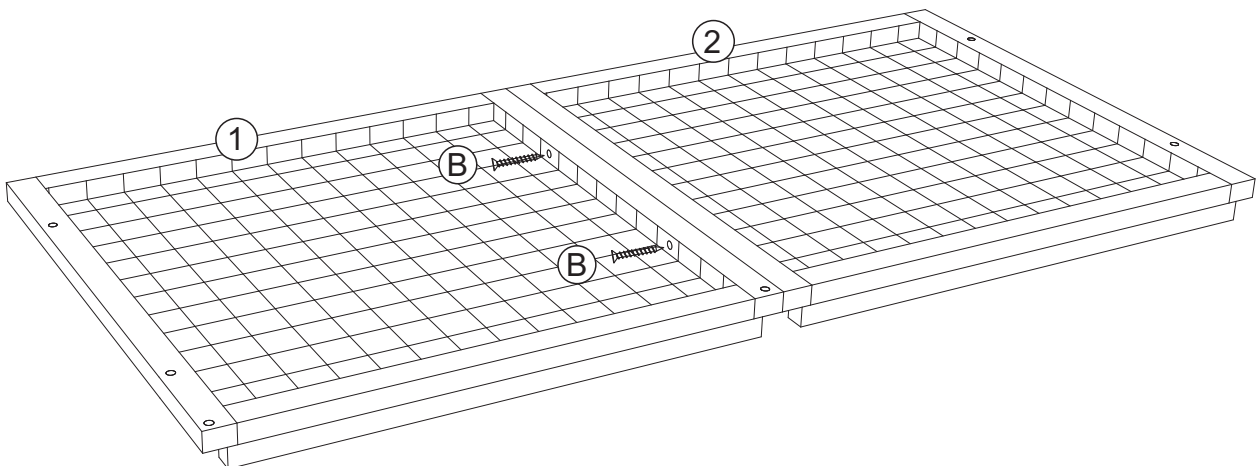
⑭



⑮

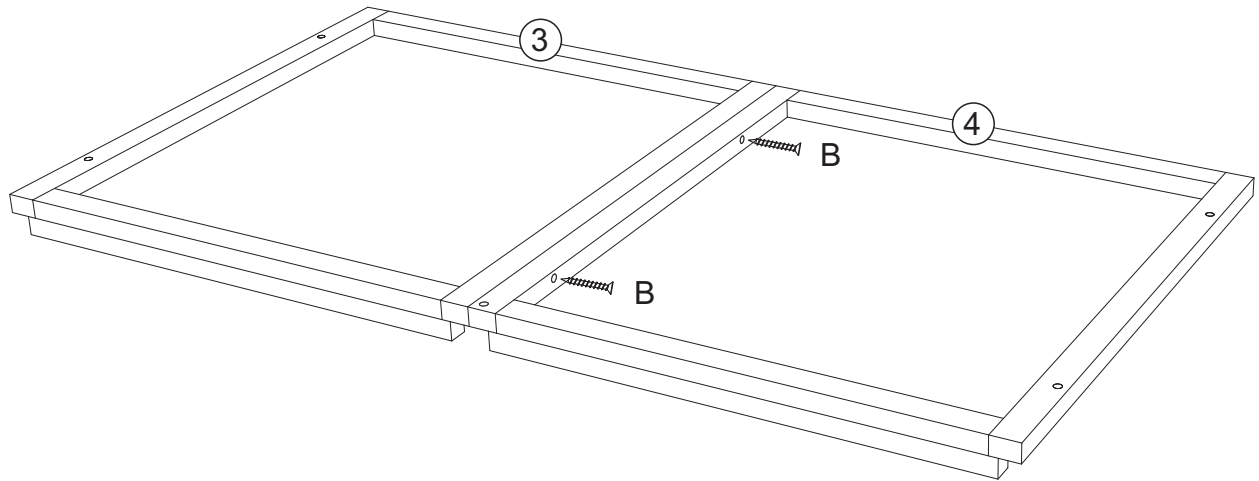
STEP 1

B x2



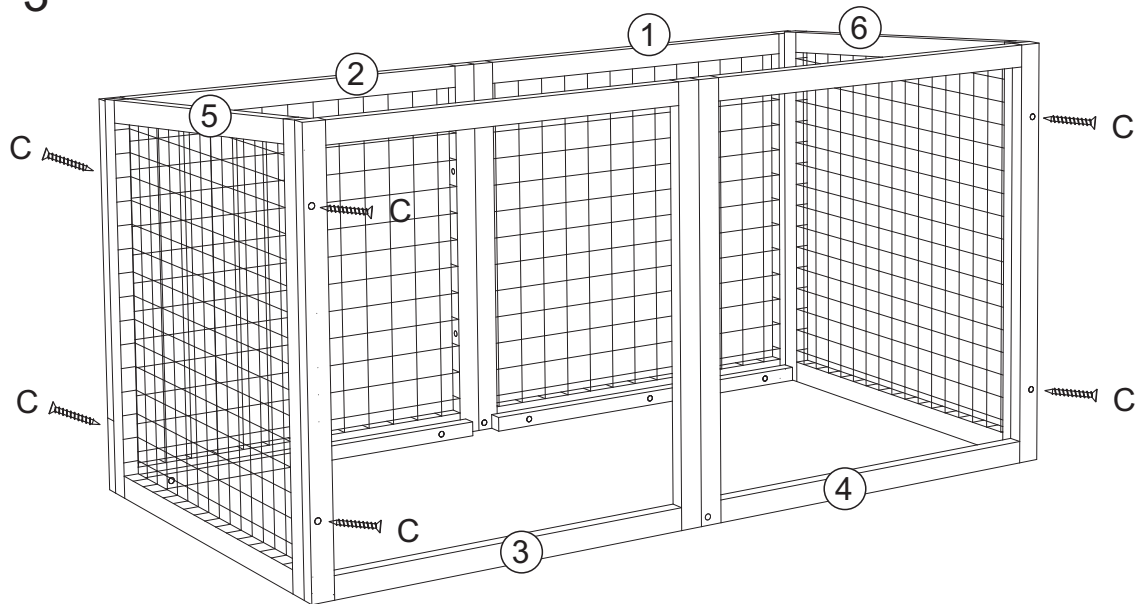
STEP 2

B x2



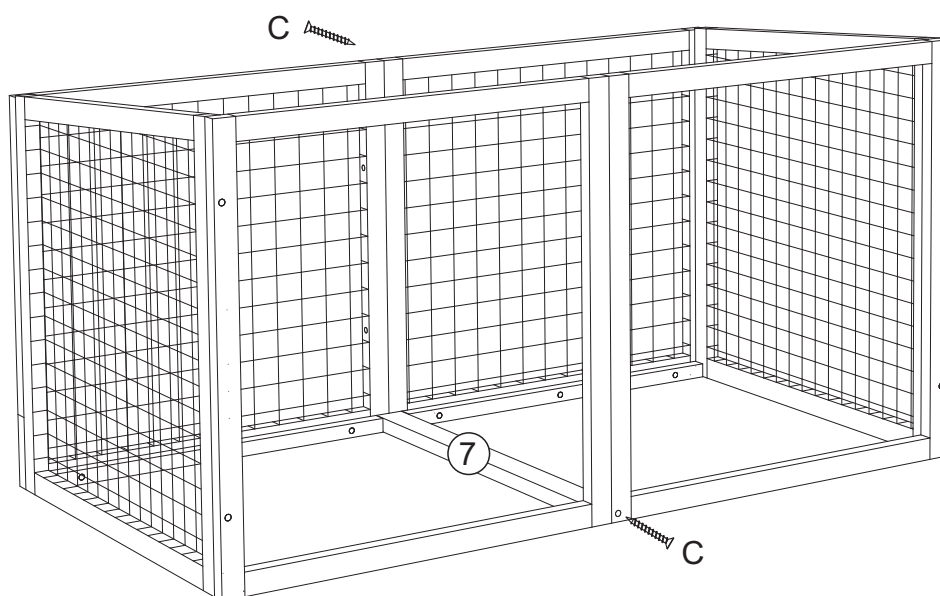
STEP 3

C x8

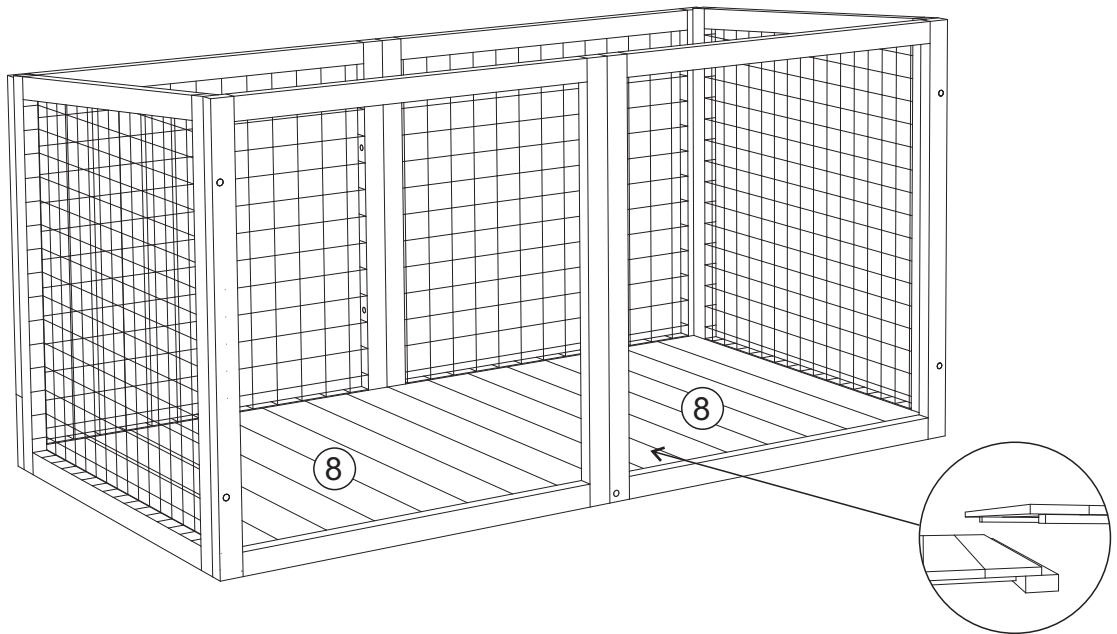


STEP 4

C x2

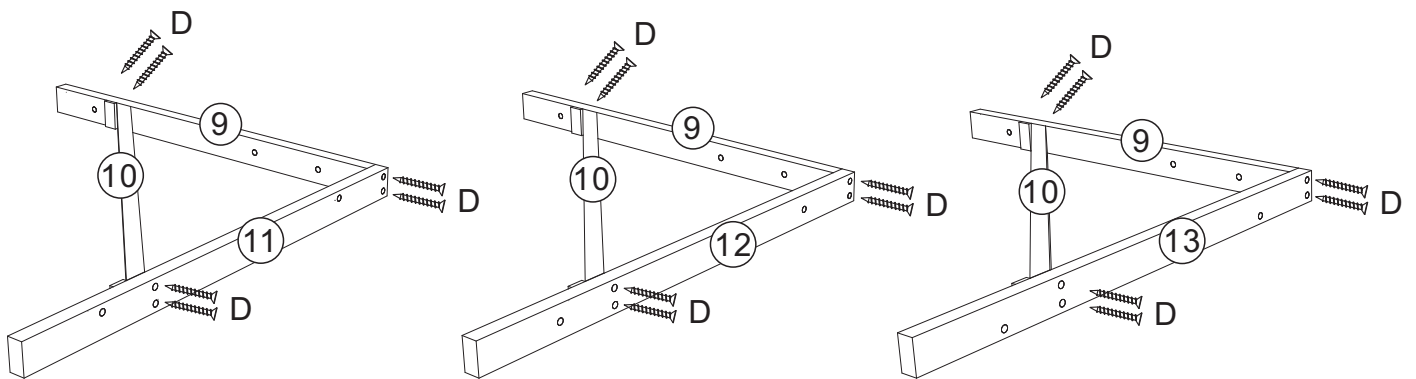


STEP 5



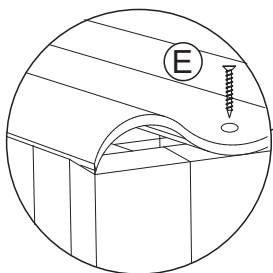
STEP 6

D x 18

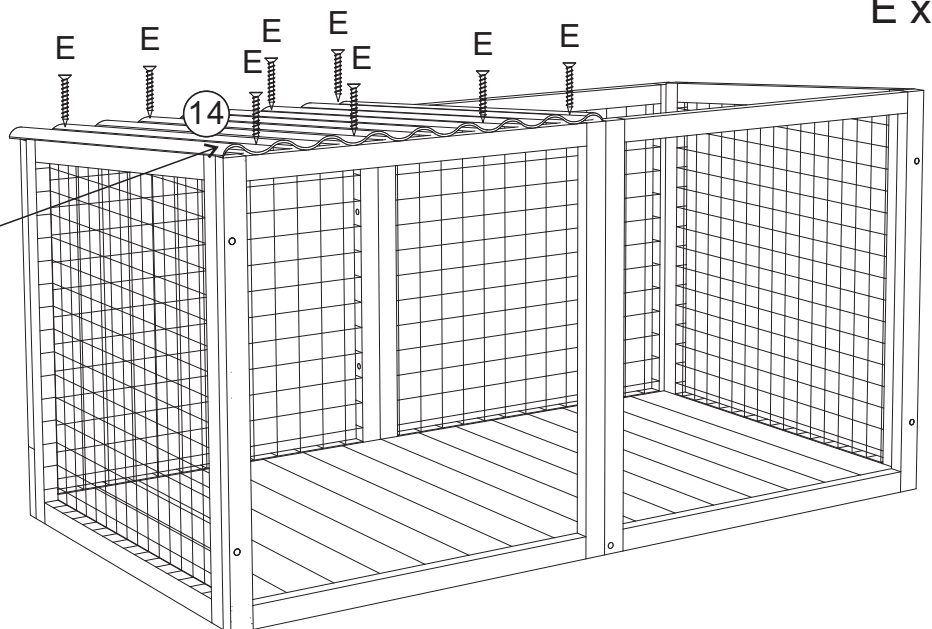


STEP 7

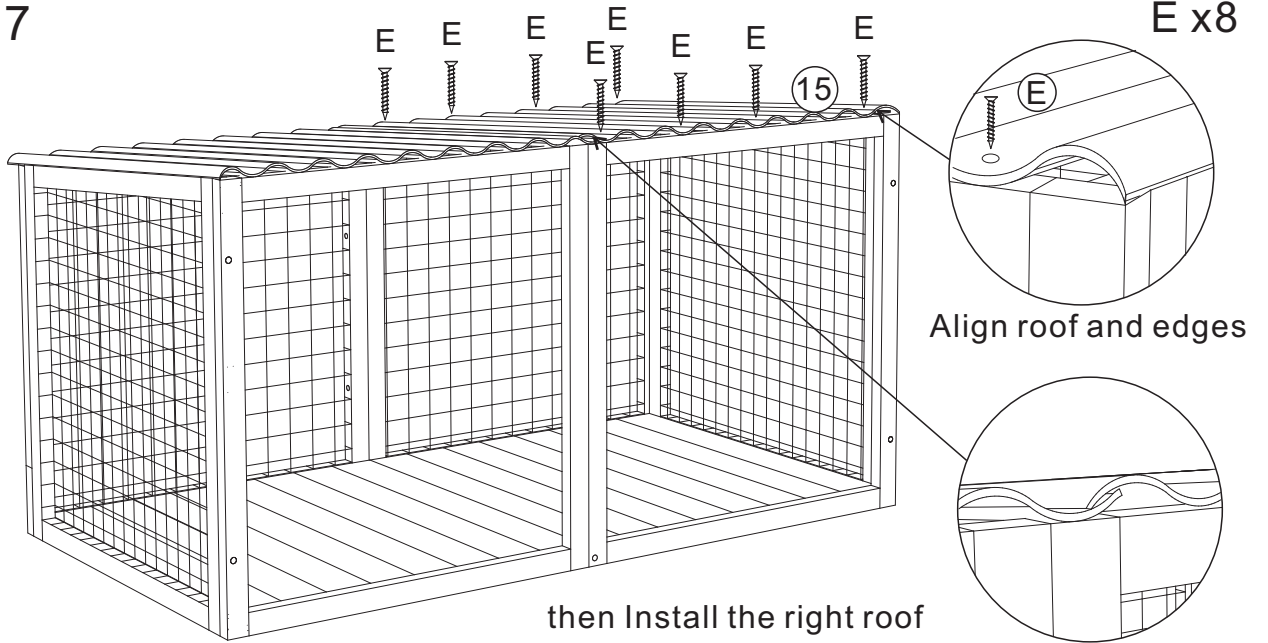
E x 8



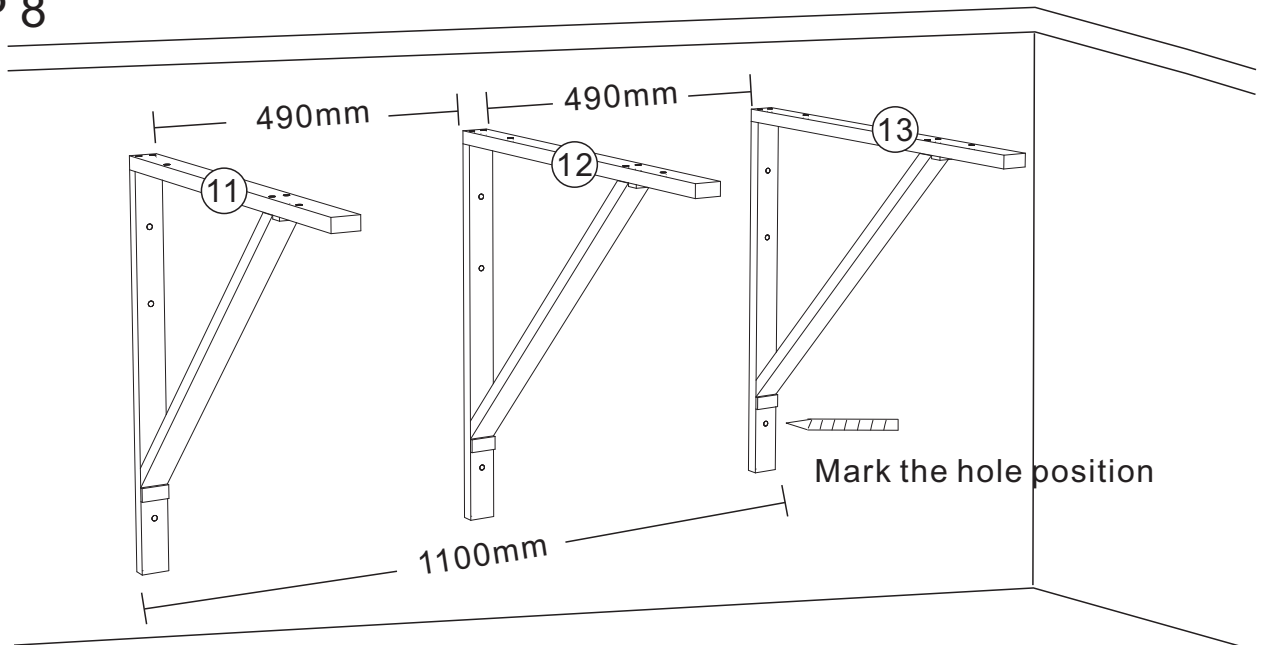
Align roof and edges
Install the left roof first



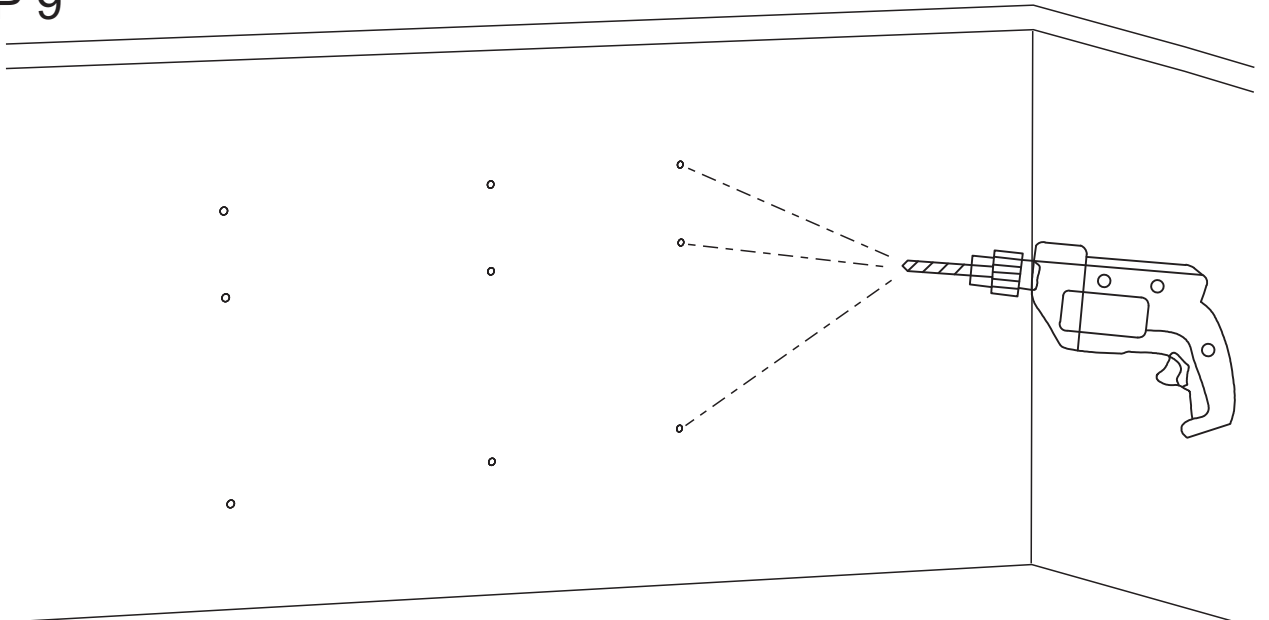
STEP 7



STEP 8

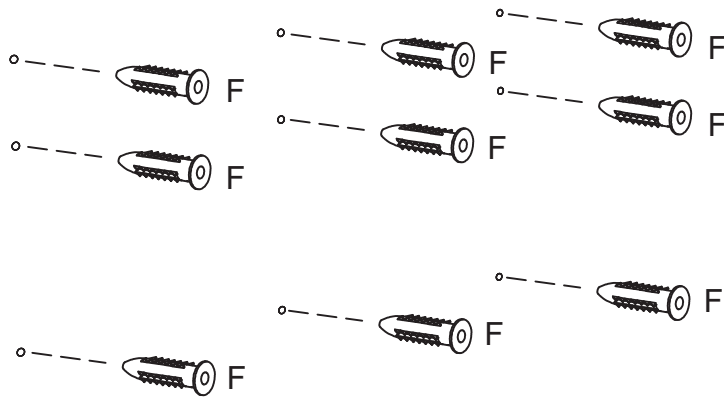


STEP 9



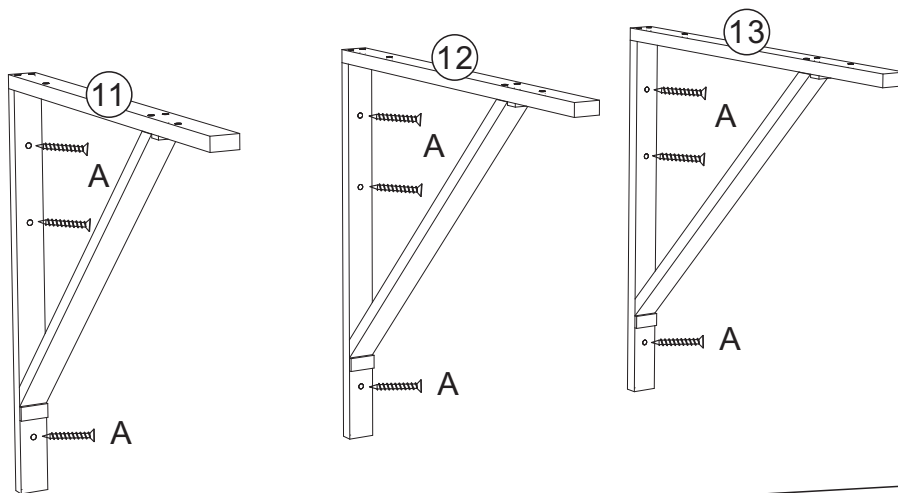
STEP 10

F x9



STEP 11

A x9



STEP 12

C x6

