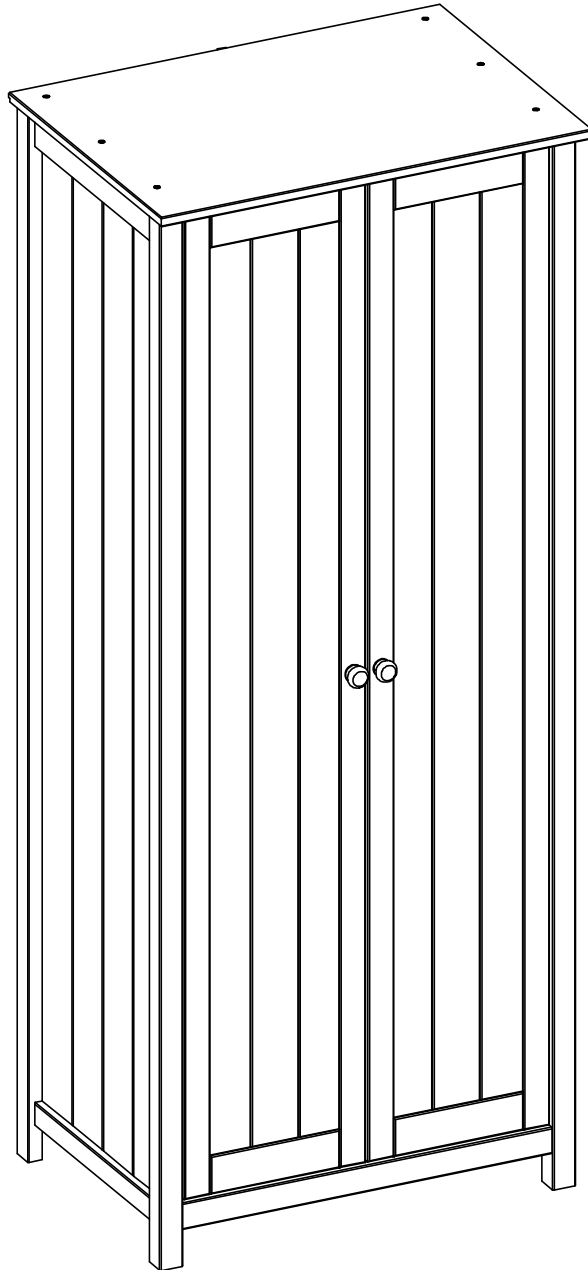
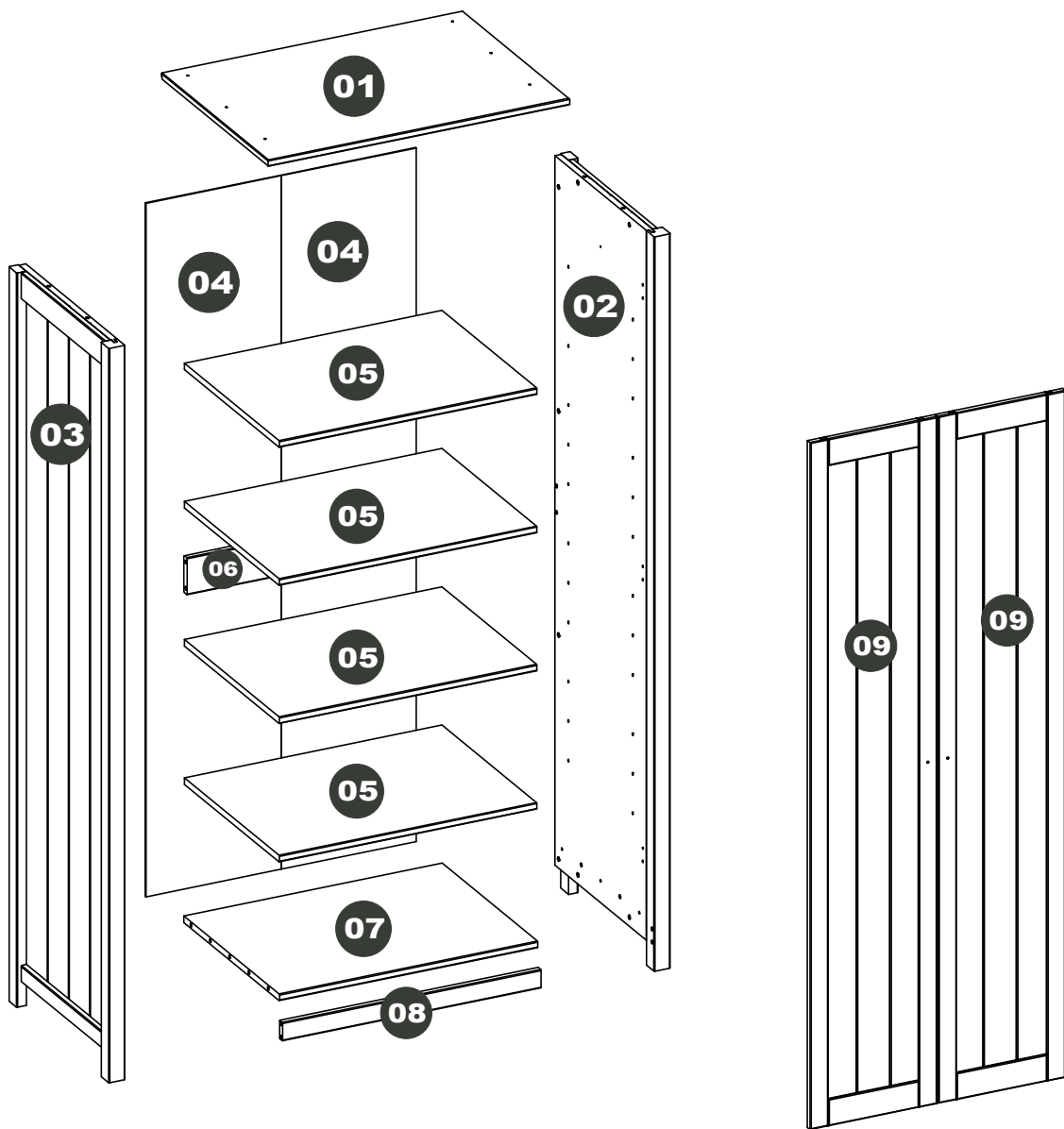
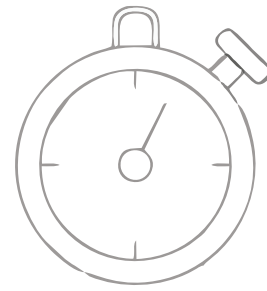
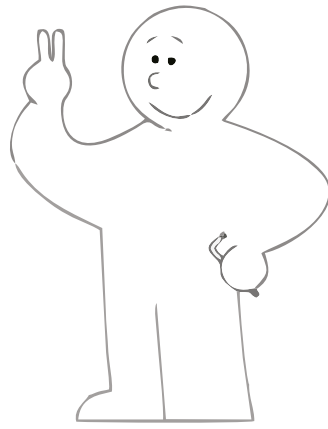
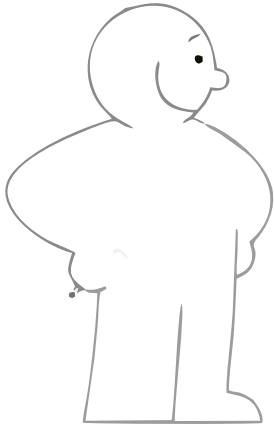


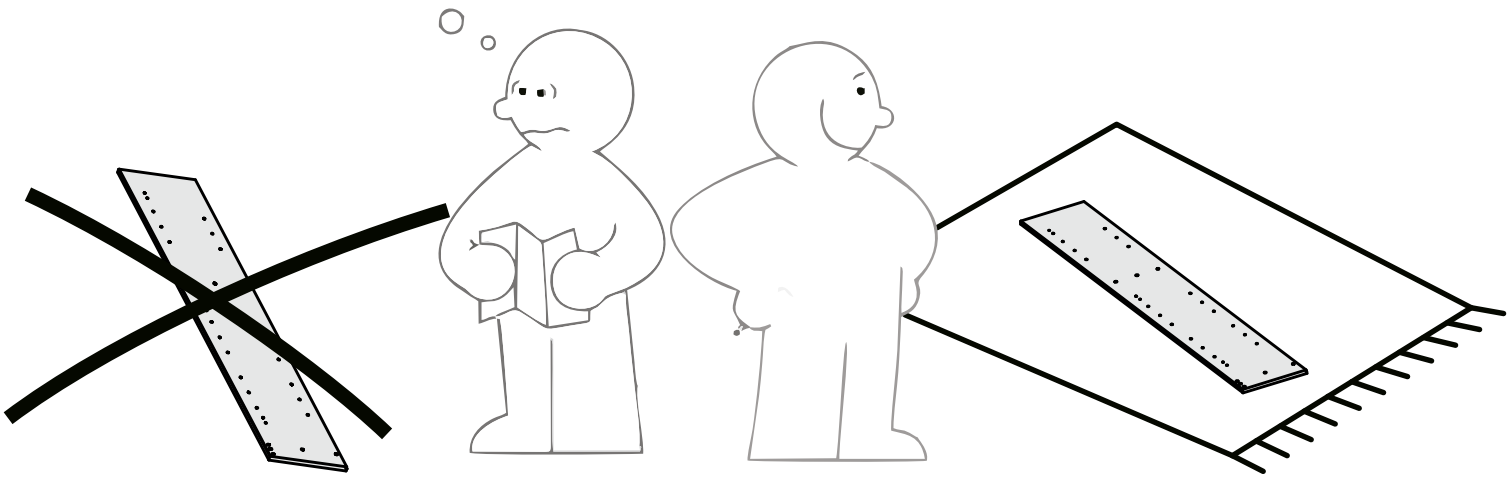
# 2 DOORS ROBE



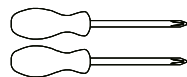
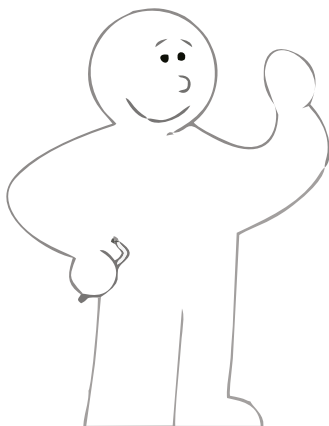




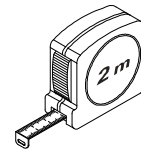
**35** Min



**Tools required**



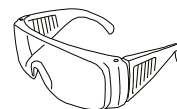
Phillips screwdriver  
(medium & large)



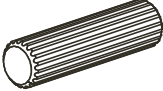
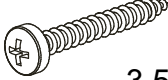
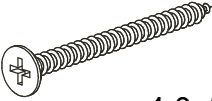
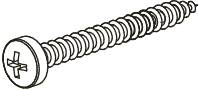

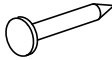
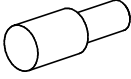
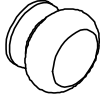


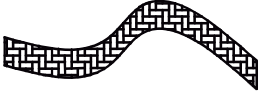

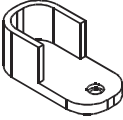
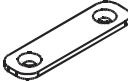



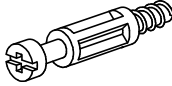

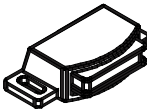
Ruler/tape  
measure



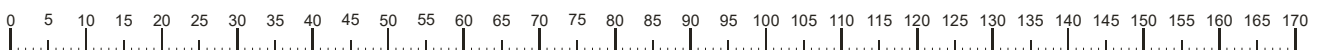
Small  
hammer



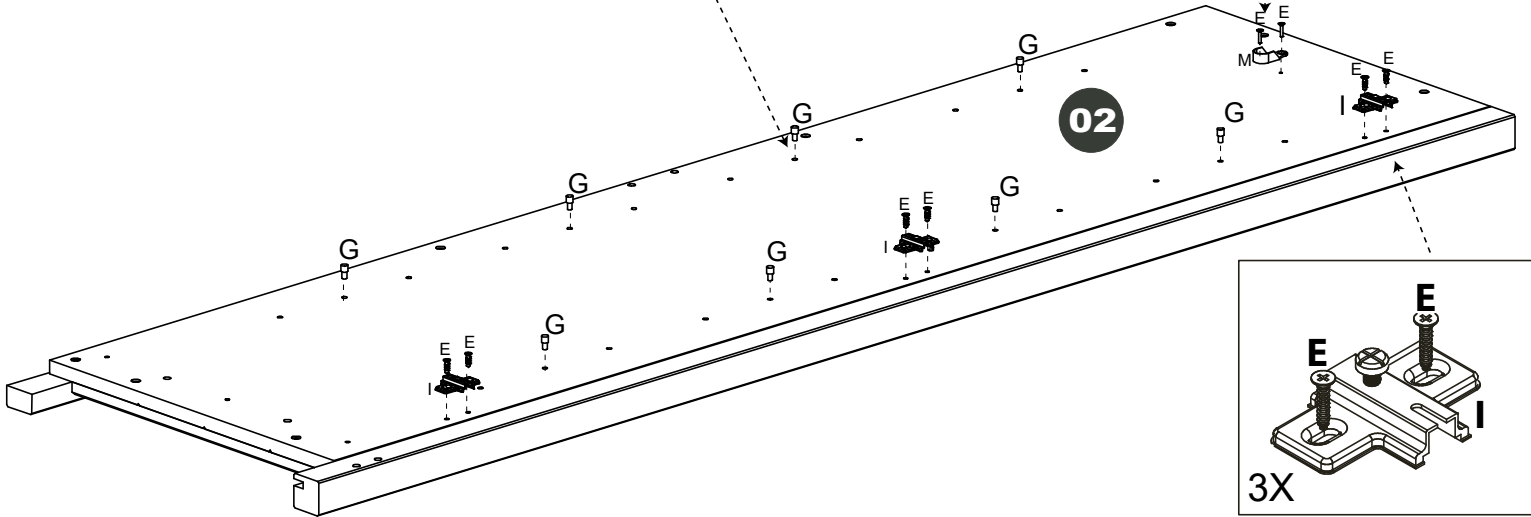
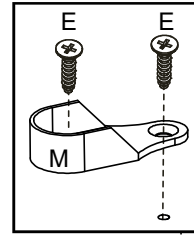
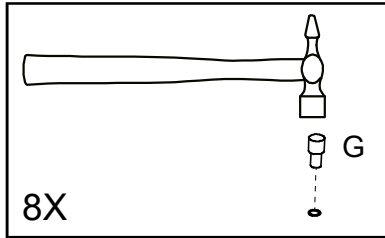
Eye protection  
(when using a  
hammer or glue)

A	 8x30mm	16	B	 3,5x30mm	04
C	 4,0x50mm	06	D	 4,0x40mm	02
E	 4,0x16mm	29	F		34
G		16	H		02
I		06	J		06
L		01	K		02
M		02	N		02
O		01	P	 3,0x16mm	10
Q		06	R		06
S	 632mm	01	T		02

Ruler - Use this ruler to help correctly identify the screws

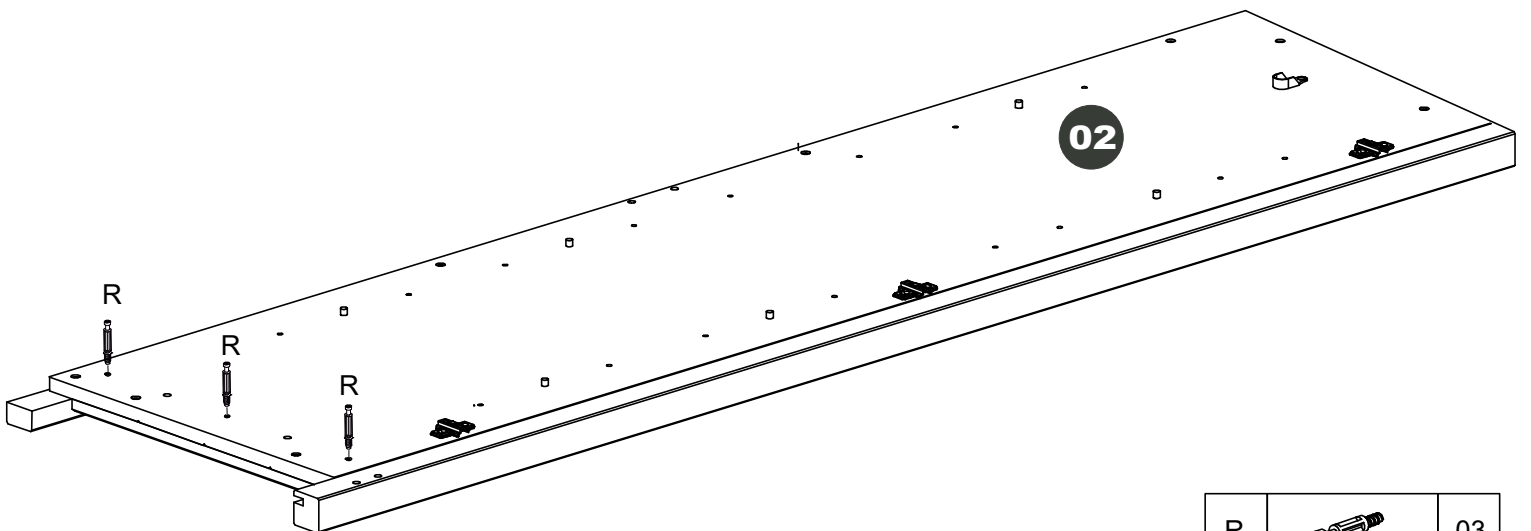
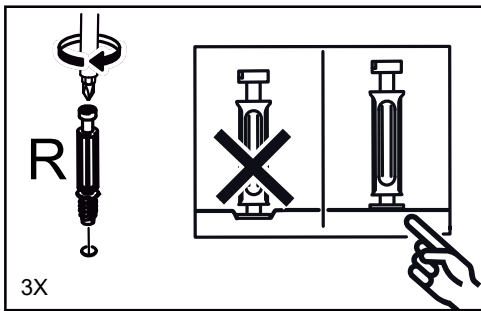


# 01



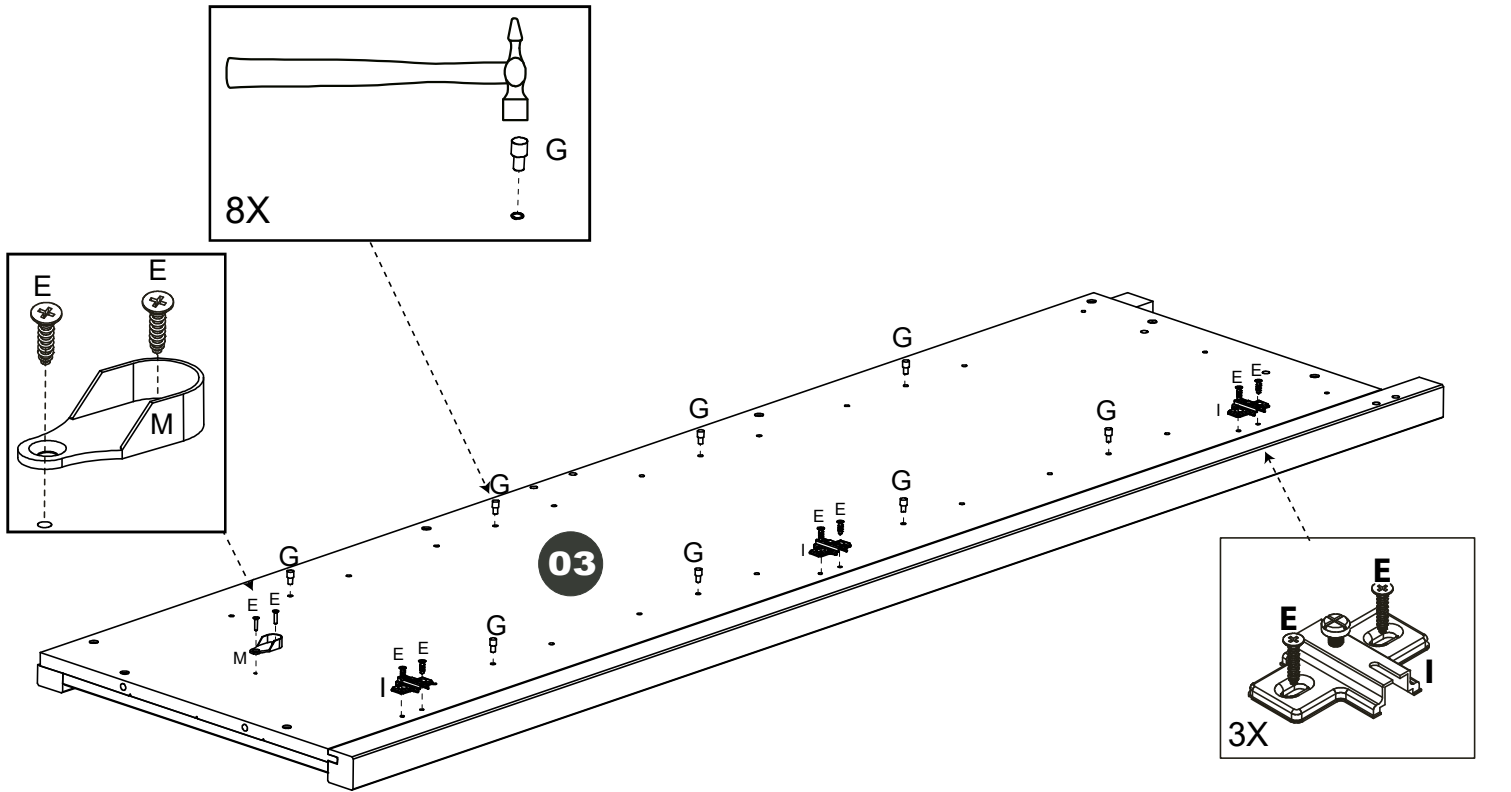
M		01	G		08	I		03	E		08 4.0x16mm
---	--	----	---	--	----	---	--	----	---	--	----------------

# 02



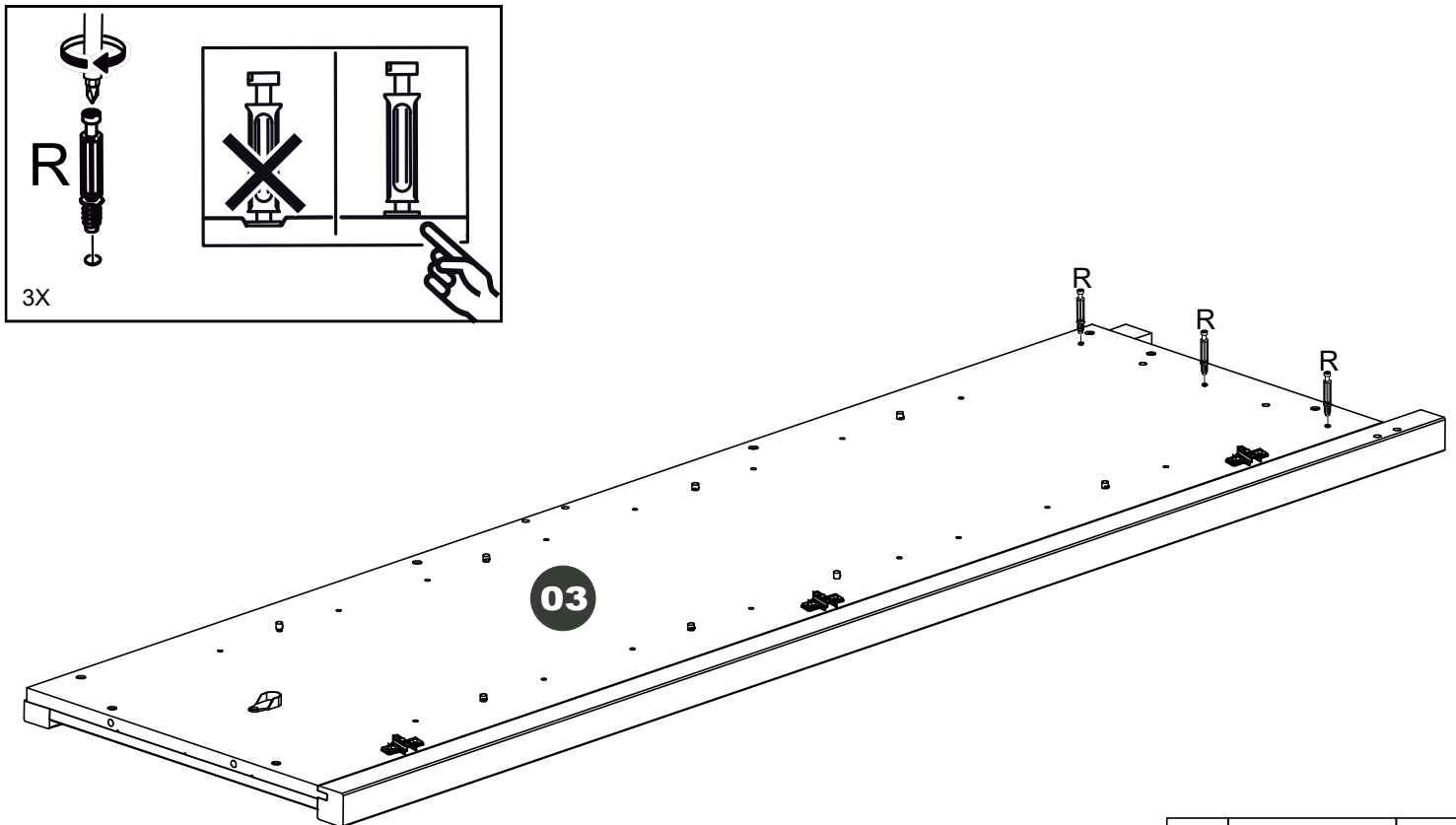
R		03
---	--	----

# 03



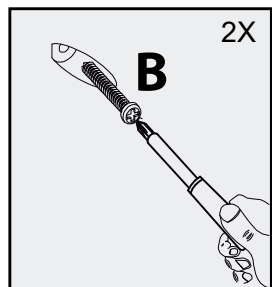
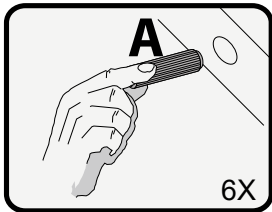
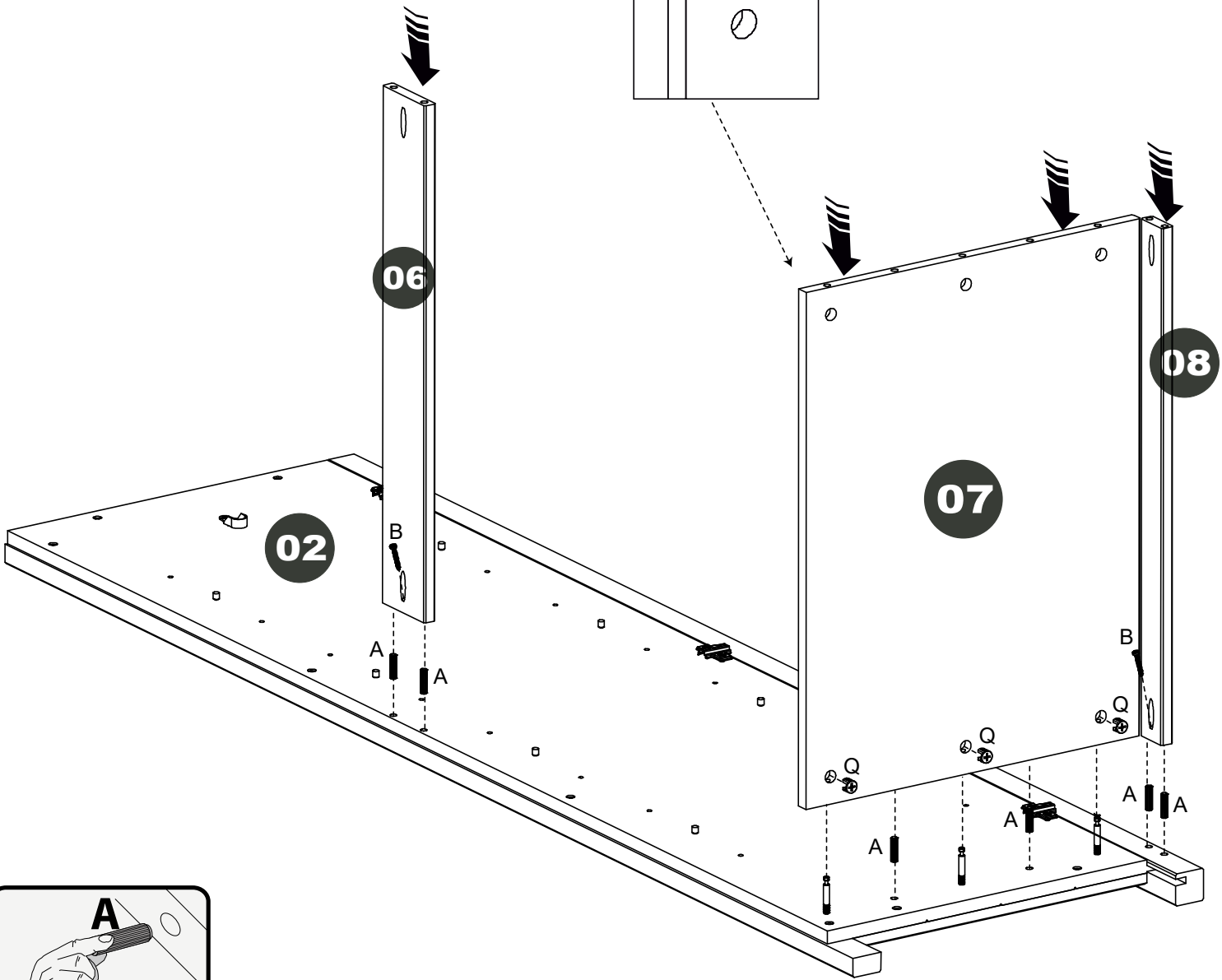
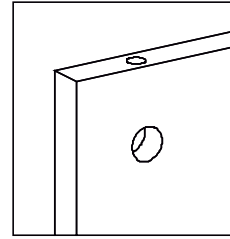
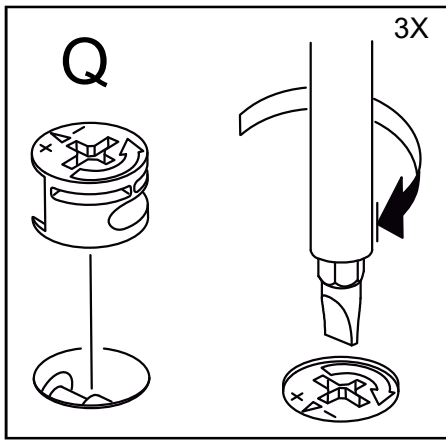
M		01	G		08	I		03	E		08	4,0x16mm
---	--	----	---	--	----	---	--	----	---	--	----	----------

# 04



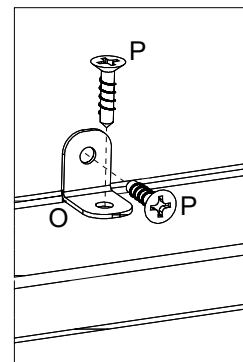
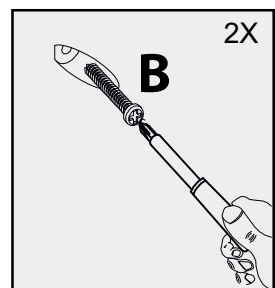
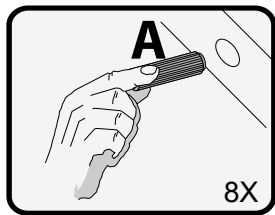
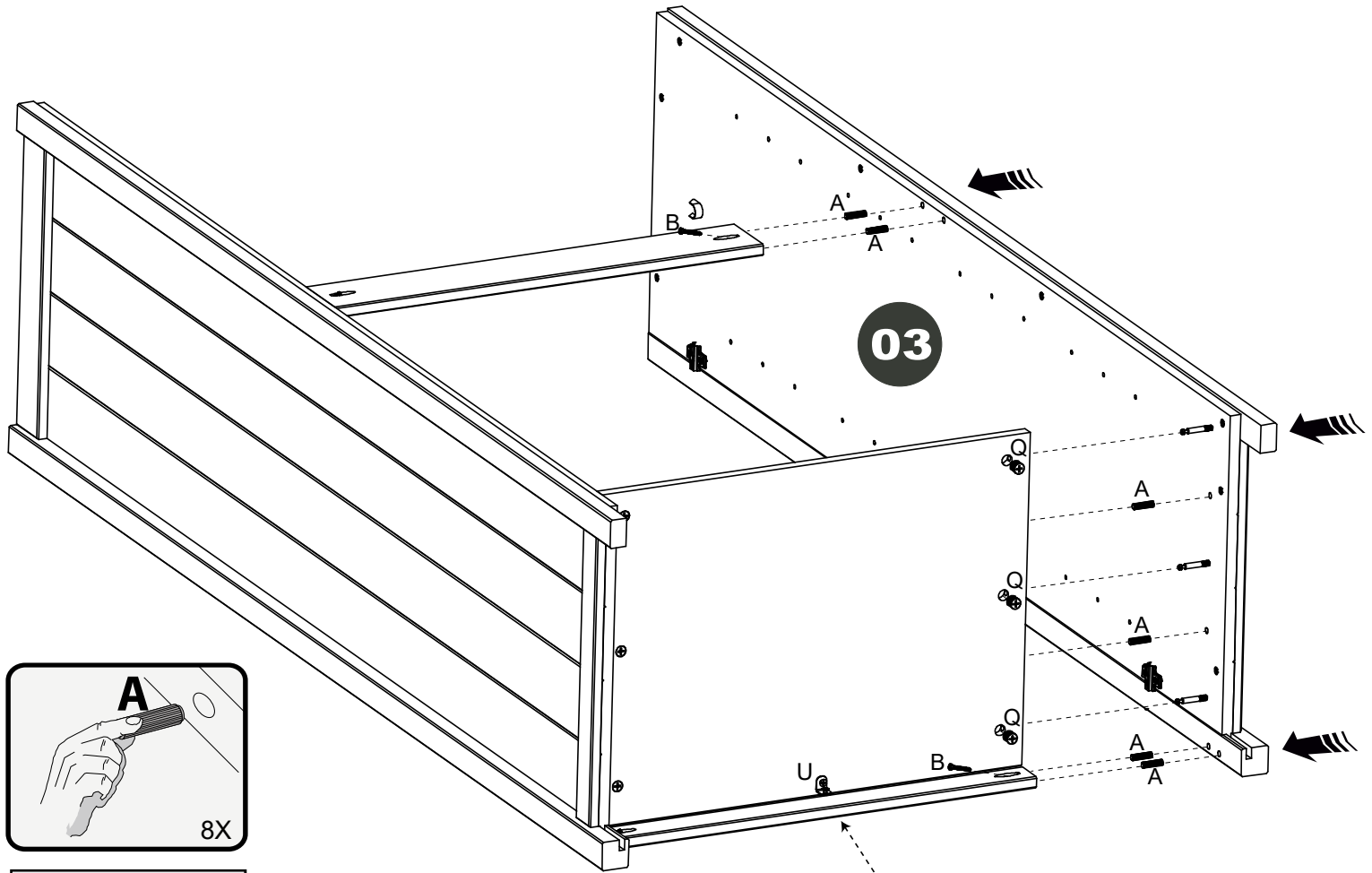
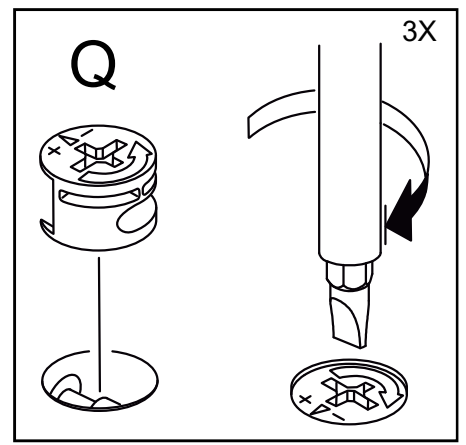
R		03
---	--	----

05



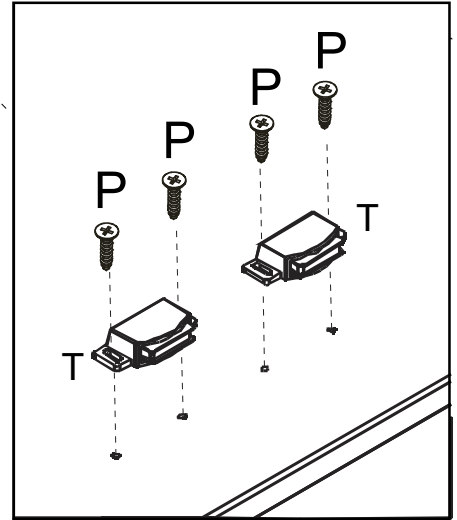
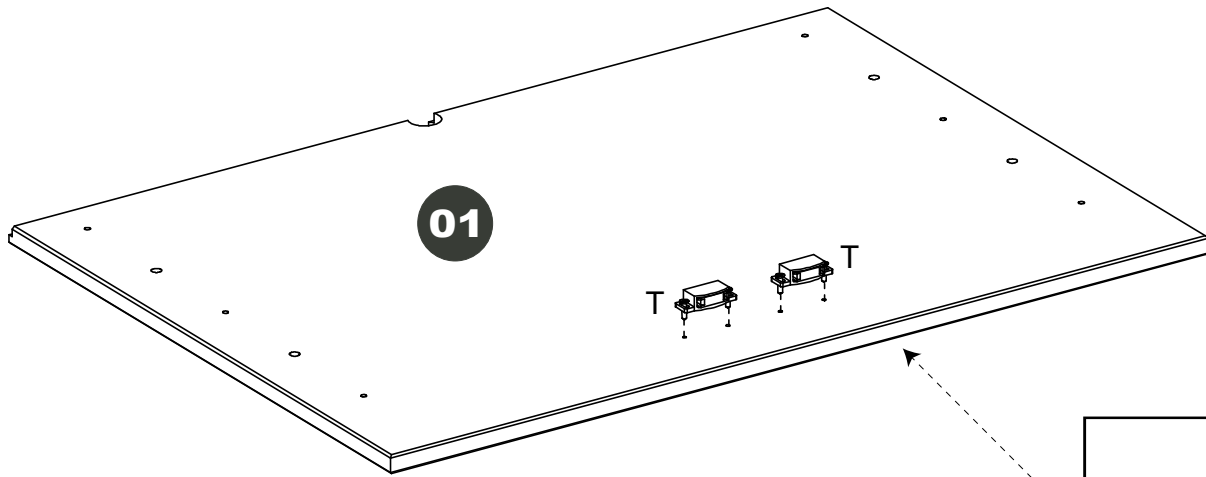
Q		03	A		6x30mm	06	B		3,5x30mm	02
---	--	----	---	--	--------	----	---	--	----------	----

06



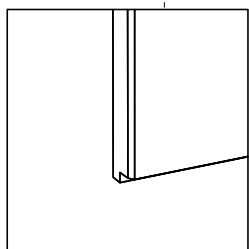
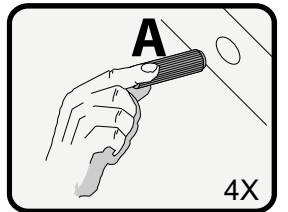
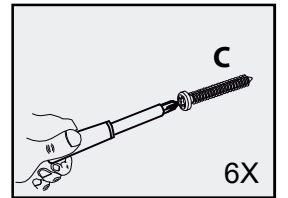
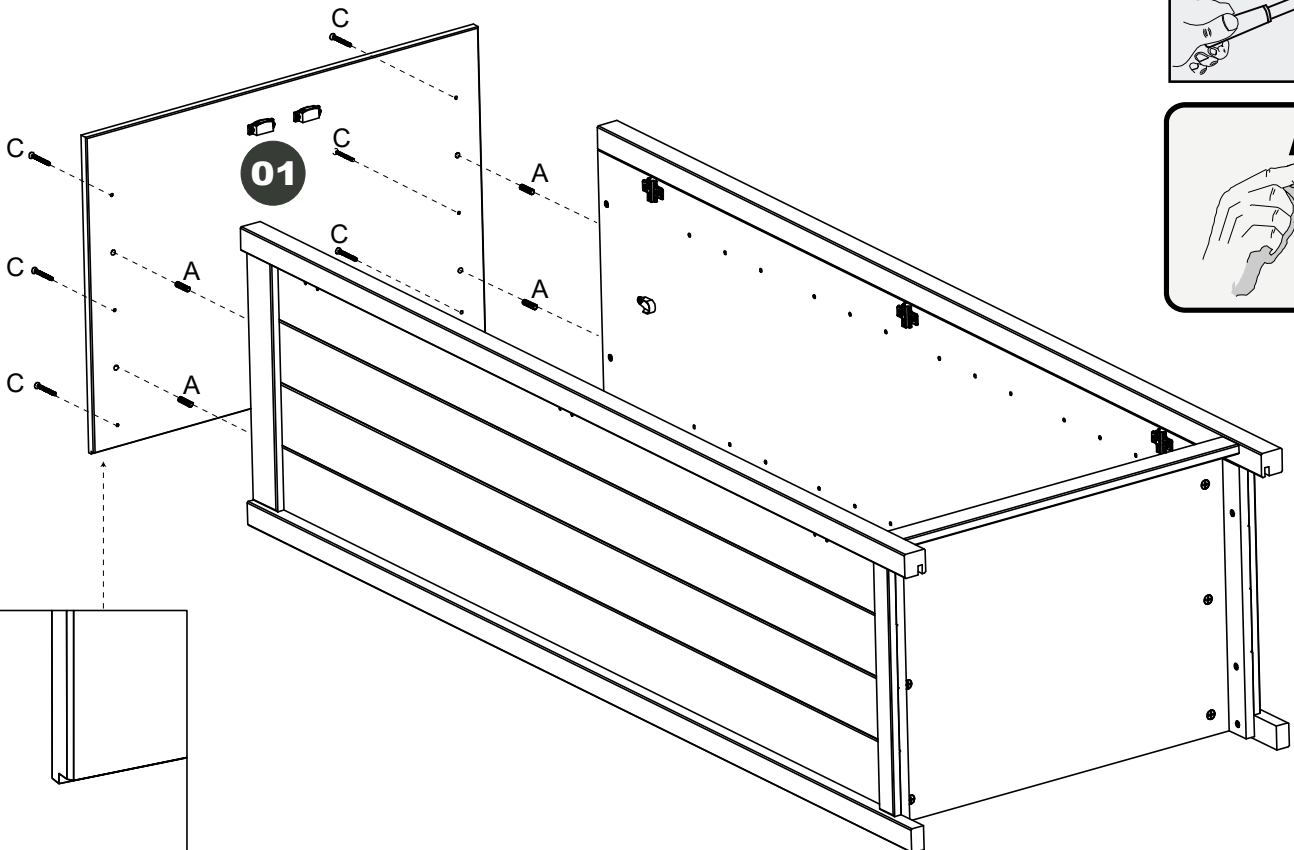
P		02	O		01	Q		03	A		06	B		03
	3,0x16mm									8x30mm			3,5x30mm	

# 07



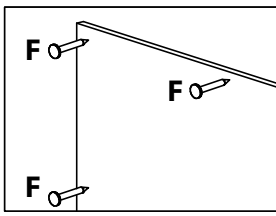
T		02	P		04
---	--	----	---	--	----

# 08

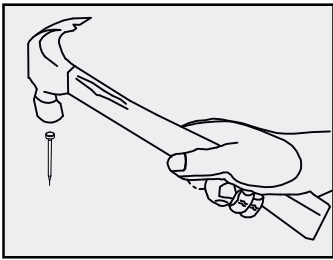


C		06	A		04
---	--	----	---	--	----

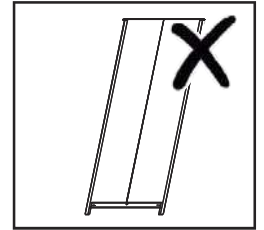
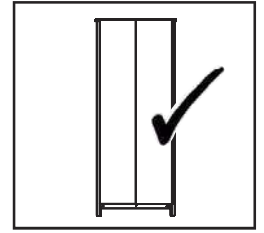
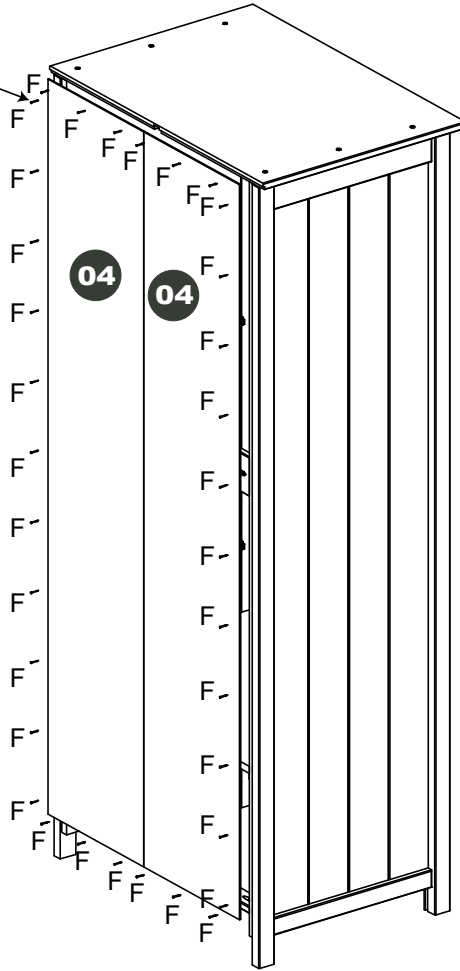
# 09



Use all back panels nails. Evenly spaced, they help make the unit strong.

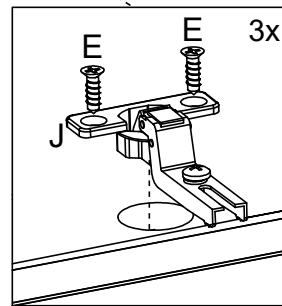
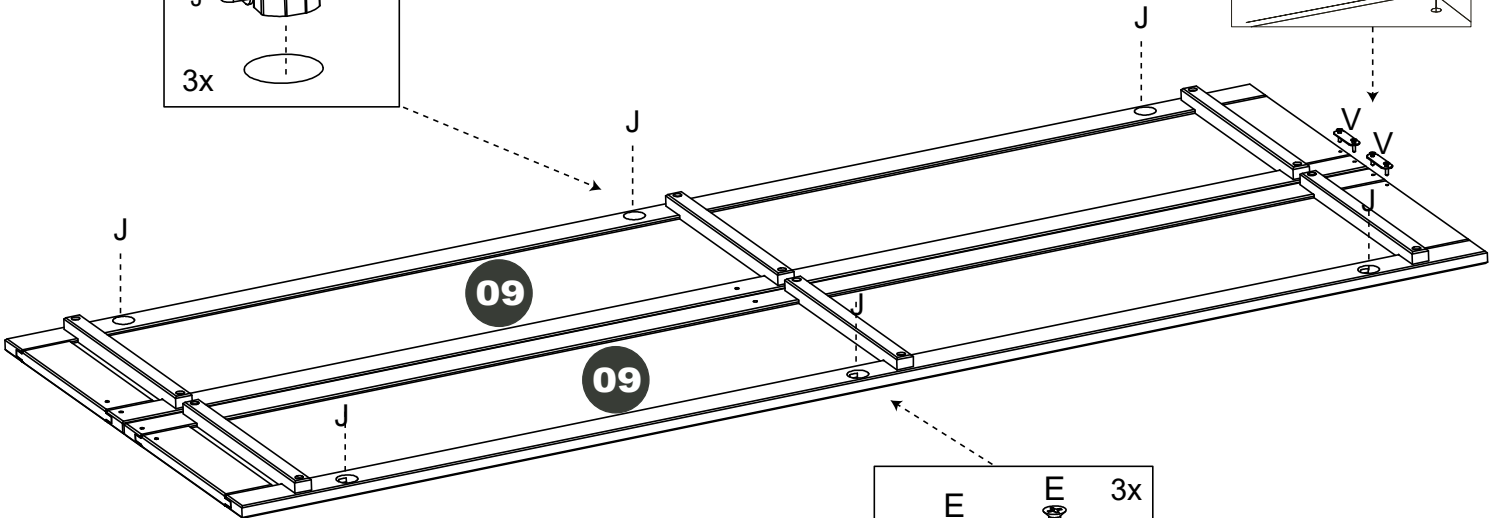
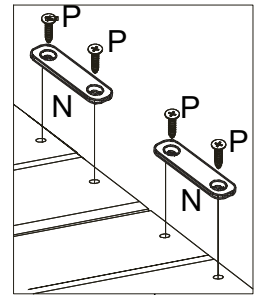
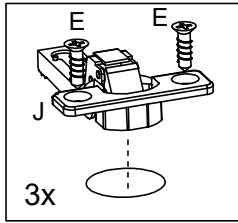


F		34
---	--	----



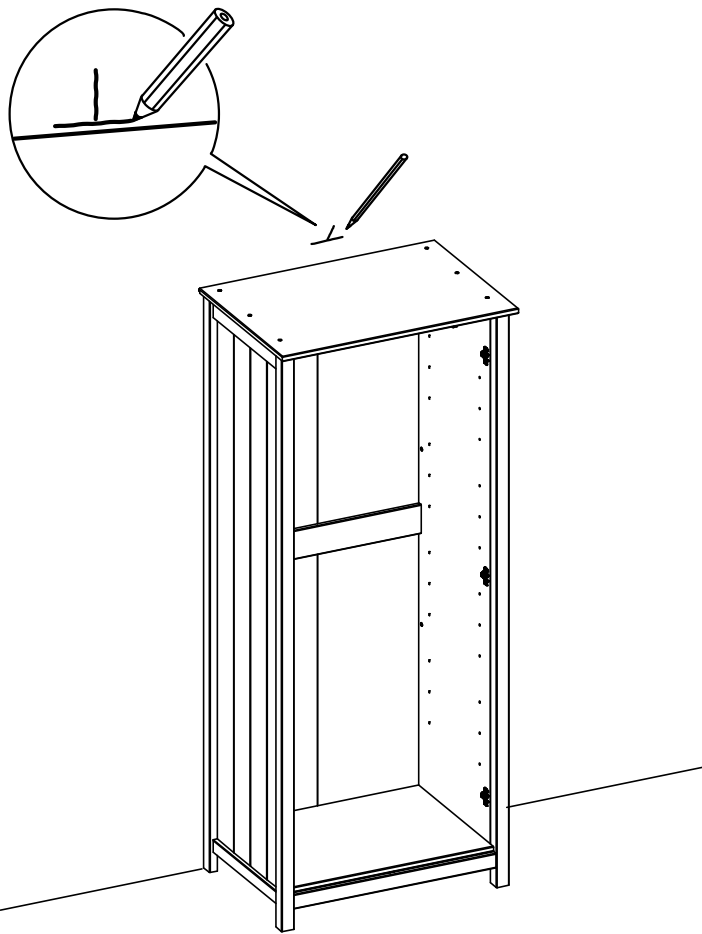
**Important:** Cabinet **MUST** be 'square' when back panel is attached.

# 10



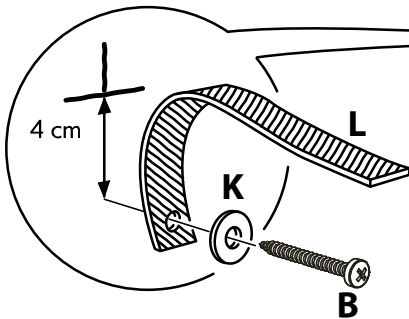
N		02	P		04
J		06	E		12
				3,0x16mm	
				4,0x16mm	

# 11



Position the furniture into place and make a mark to the wall, as shown.

# 12

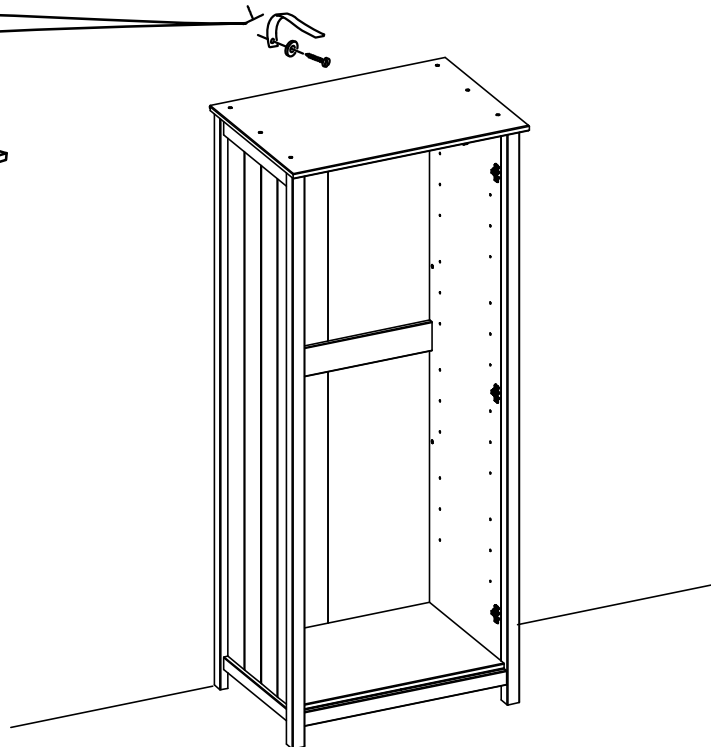


With help, carefully move the furniture away to access the mark in the wall.

Drill hole on wall 4cm below the mark, as shown in the diagram.



Before drilling, check wall for hidden pipes and cables.

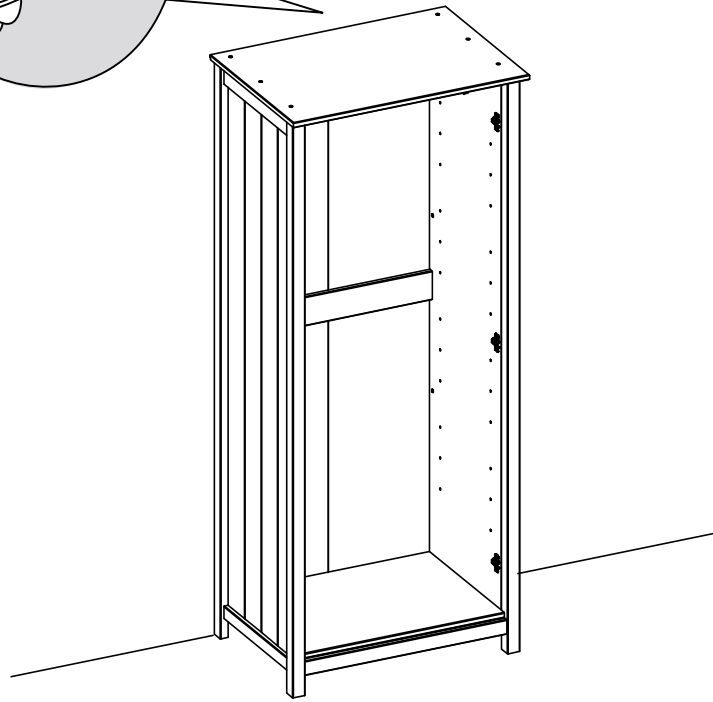
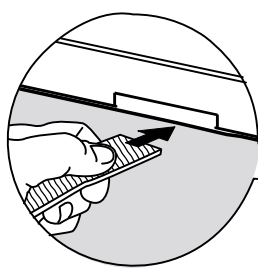


K		01	L		01	B		01
---	--	----	---	--	----	---	--	----

# 13



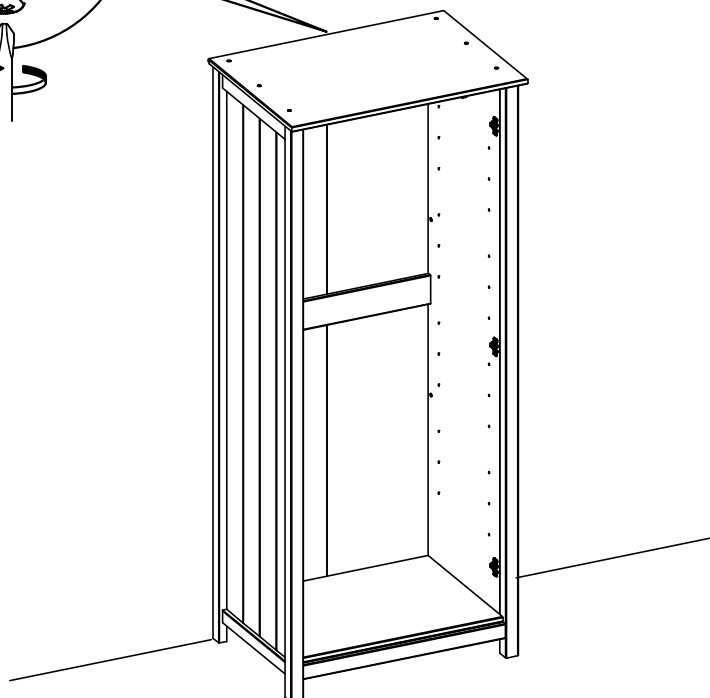
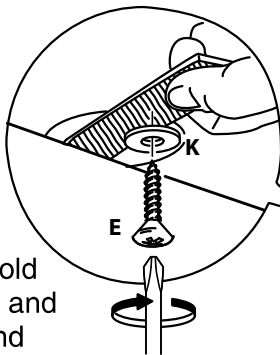
With help, carefully move the furniture back to position and insert wall strap into slot on top panel, as shown.




# 14



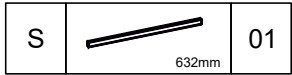
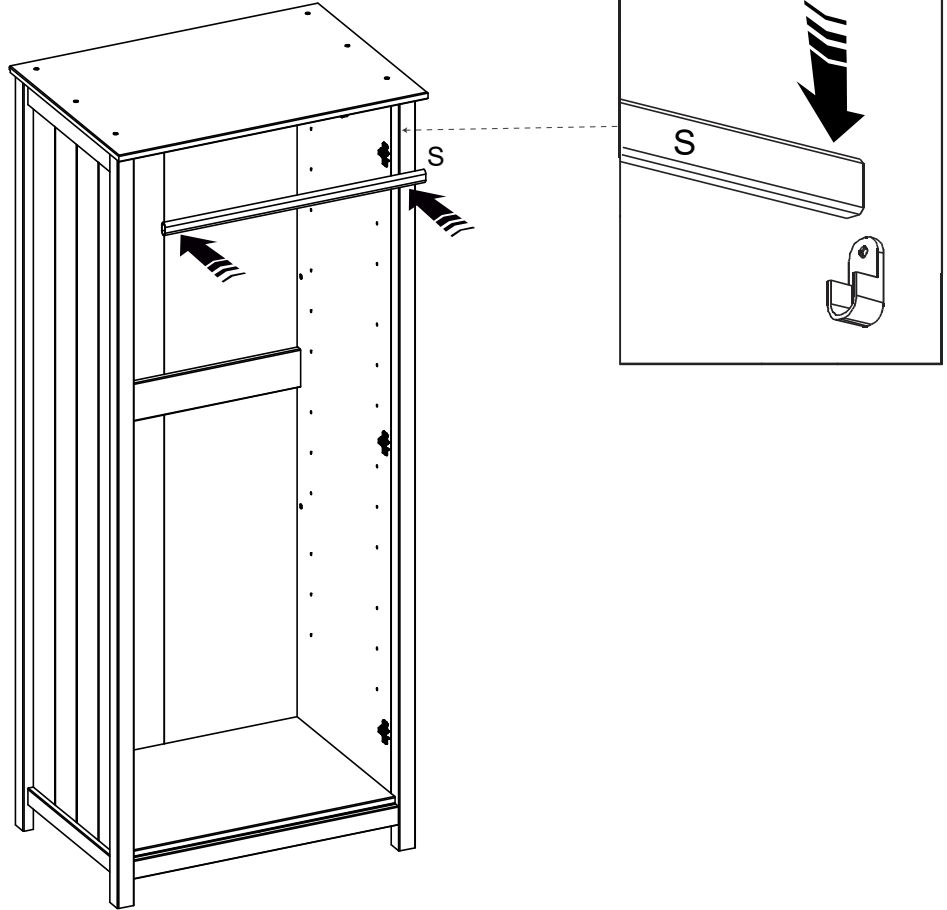
Inside the cabinet, hold wall strap in position and fix it using washer and screw, as shown.



K		01
---	---	----

E		01
<small>4,0x16mm</small>		

# 15 OPTION 1



# 16 OPTION 2

