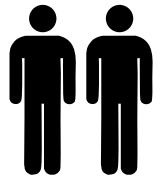
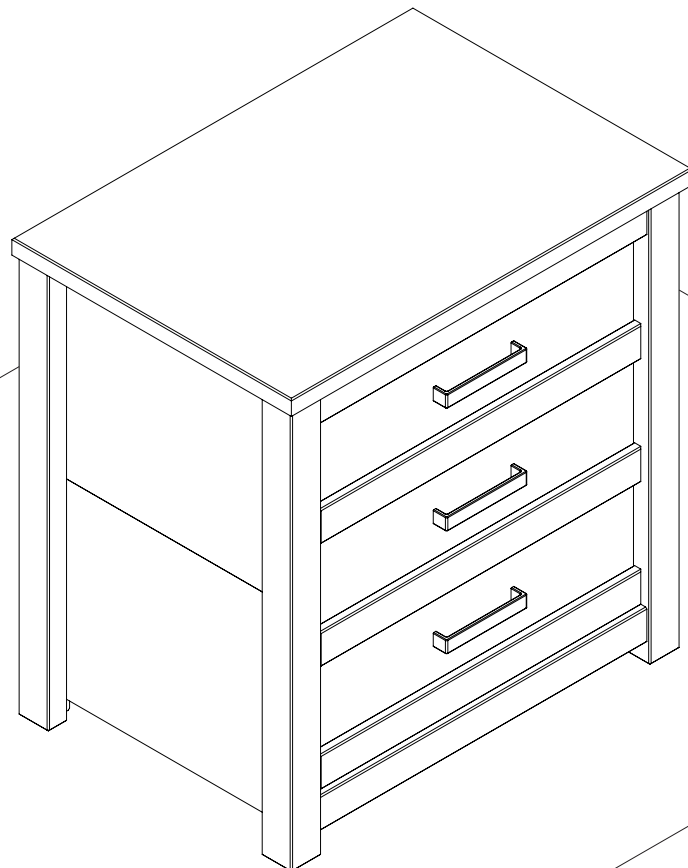


NightStand



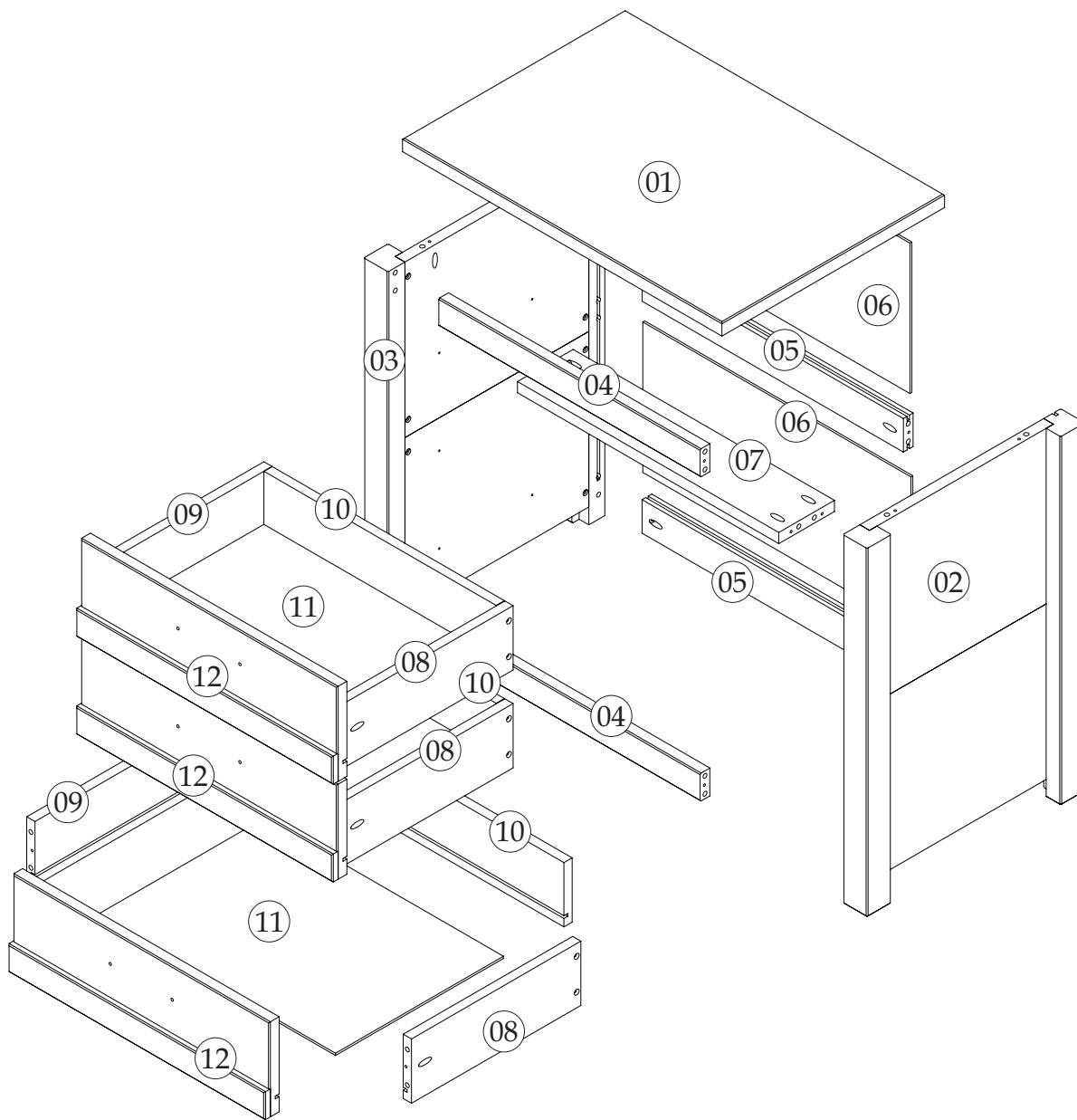
01:00 hour

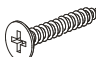
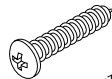
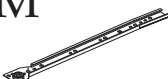
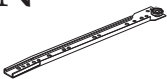
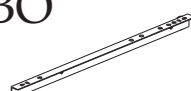
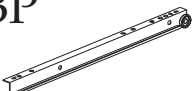
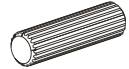
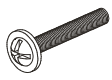
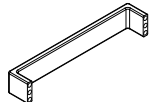


ATTENTION

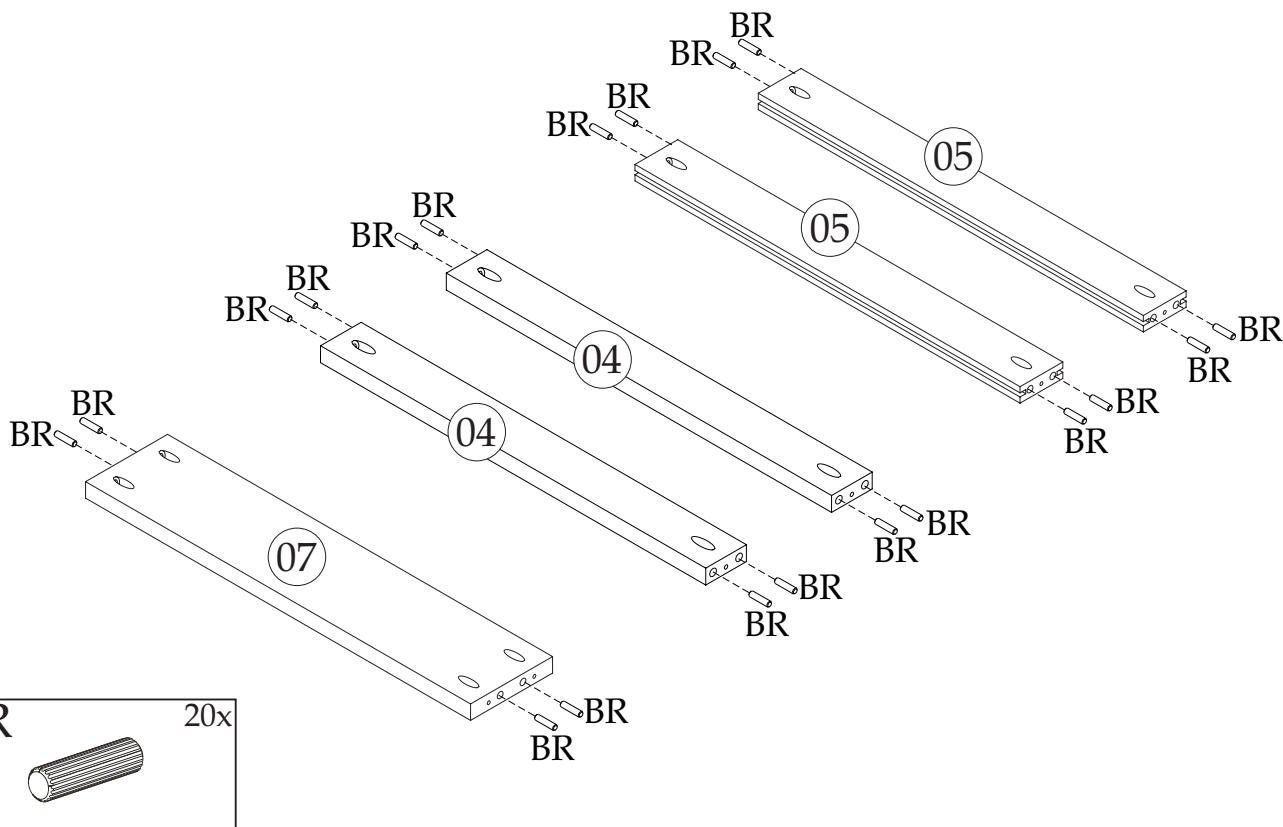
- 1 - Read and observe carefully all the assembly instructions before beginning assembly.
- 2 - The assembly of the product must be done on a clean and flat surface. We suggest to use the packaging to cover the floor to avoid damages.
- 3 - The screws must be tightened periodically.
- 4 - Avoid contact with sharp objects.
- 5 - Avoid banging pieces together.

Parts and hardware list for assembly.
Please confirm all parts available before assembly.

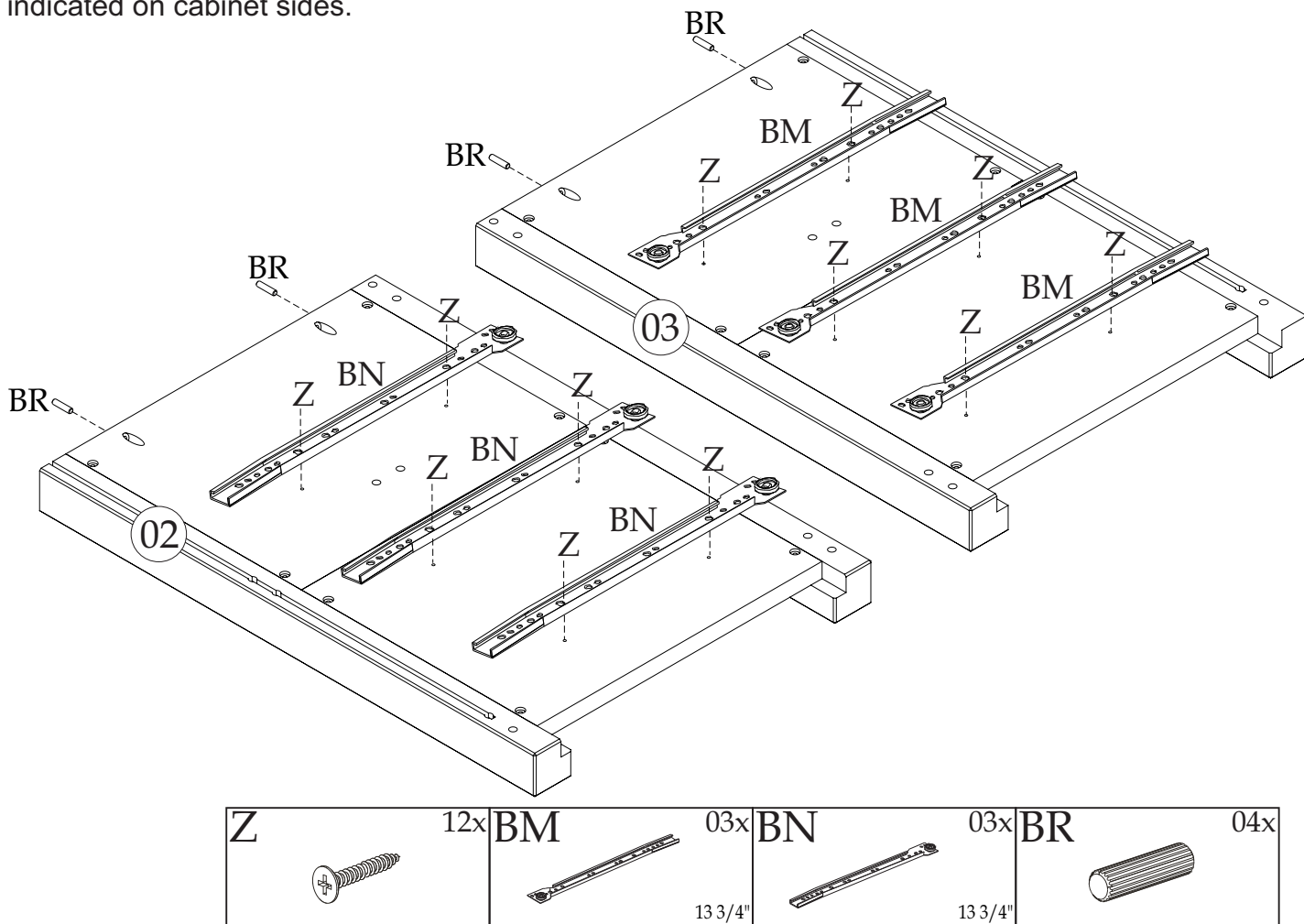


Z +2x spare  $\varnothing 1/8'' \times 5/8''$ 24x	AP +2x spare  $\varnothing 1/8'' \times 1 3/8''$ 34x	BM  $13 3/4''$ 03x	BN  $13 3/4''$ 03x
BO  $13 3/4''$ 03x	BP  $13 3/4''$ 03x	BR +2x spare  $\varnothing 5/16'' \times 1 1/4''$ 36x	BT  $M4 \times 1''$ 06x
BX  03x			

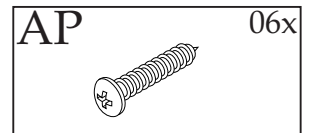
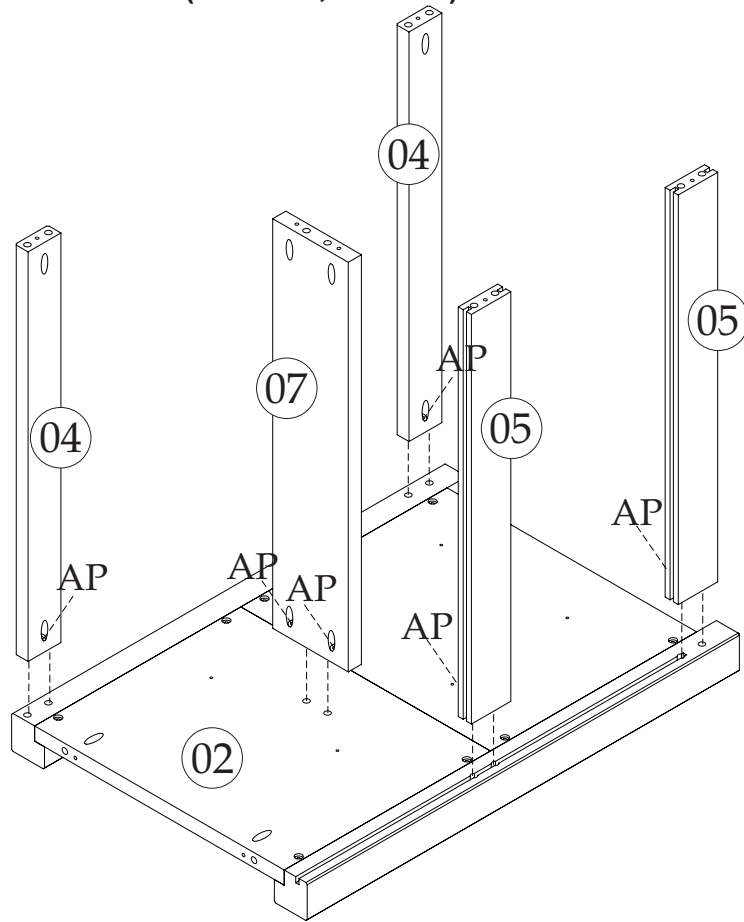
Step 01 - Place wood dowels part "BR" into holes of wood cross bars (Parts 04, 05 & 07).



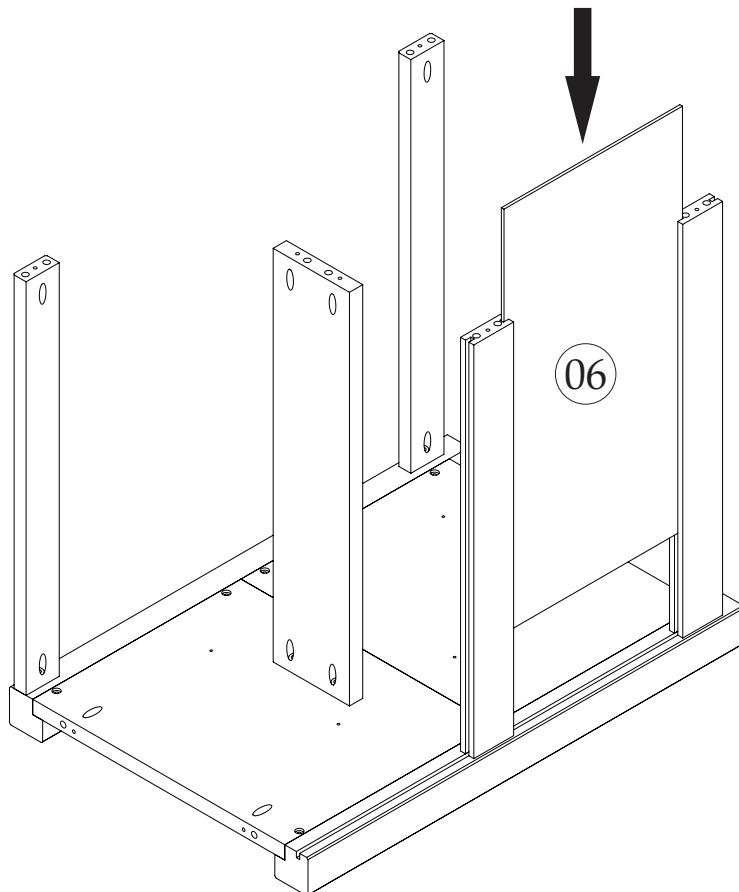
Step 02 - Attach inner metal drawer glides (Parts "BN" & "BR") to cabinet sides (Parts 02 & 03) using 12 x screws "Z". Be sure and line up screw holes of metal glides to the pilot screw holes indicated on cabinet sides.



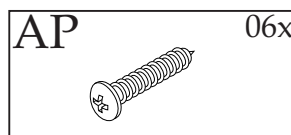
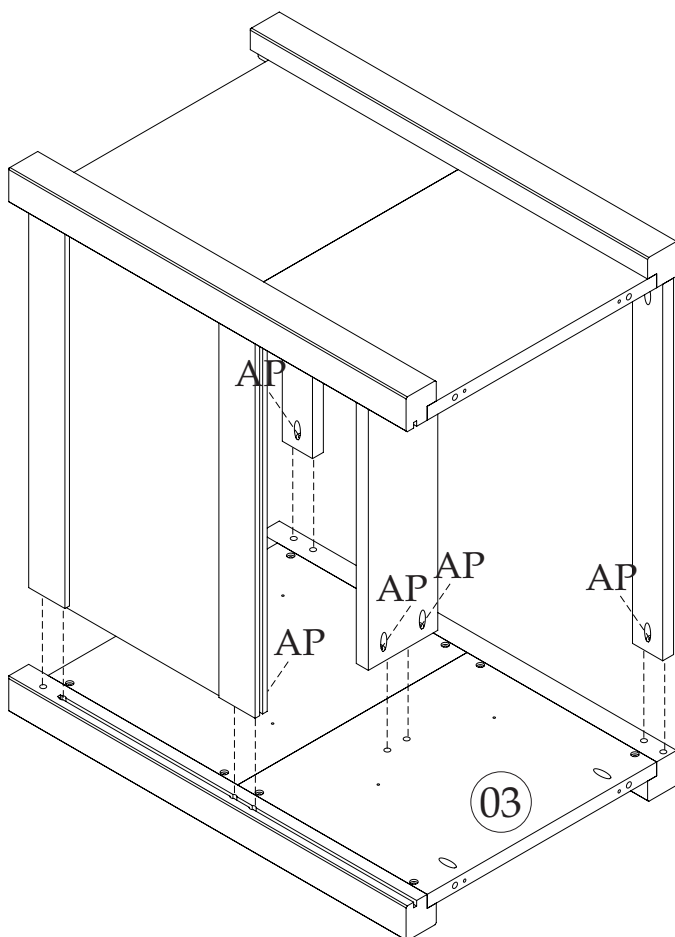
Step 03 - Attach wood cross bars (Parts 04, 05 & 07) to cabinet side No. "02" using screws "AP".



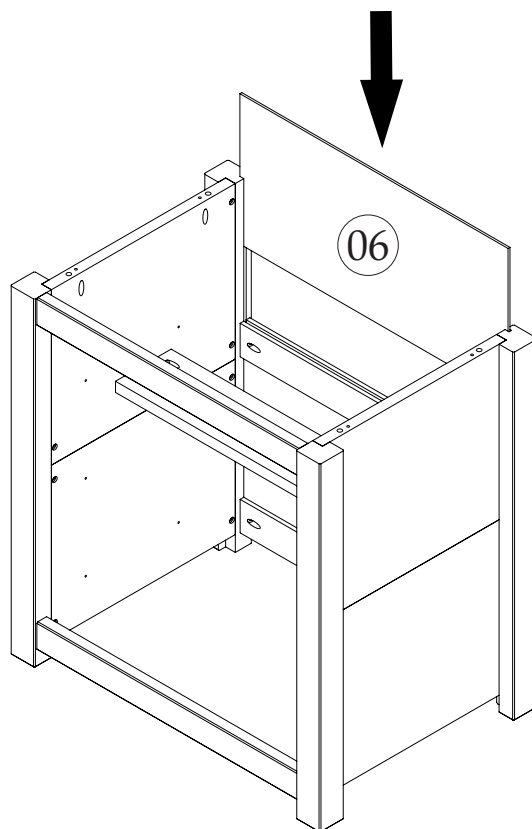
Step 04 - Slide back panel No. "06" in wood channels of already attached Parts "05" as shown in diagram.



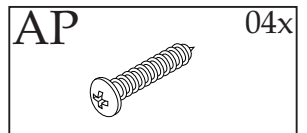
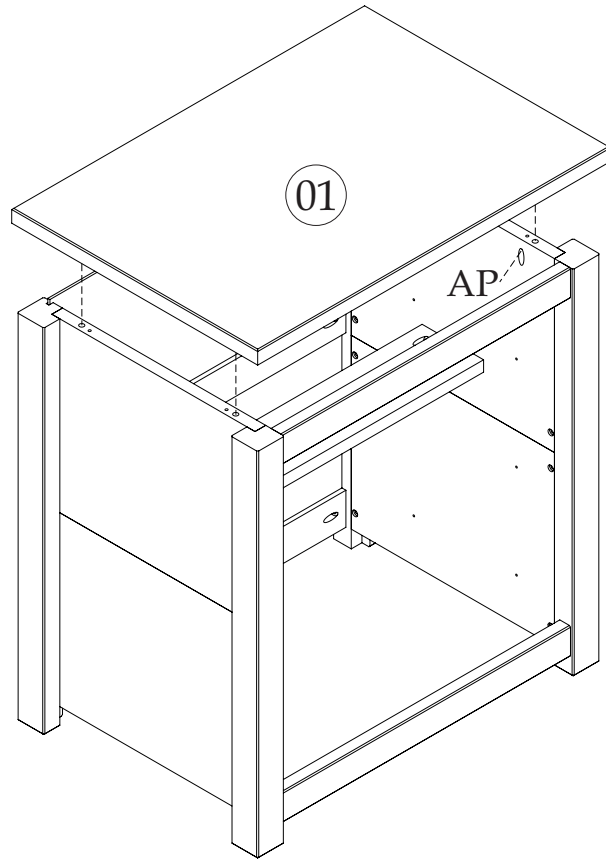
Step 05 - Attach Cabinet side No. "03" to cabinet side No. "02" using screws "AP" as shown in diagram.



Step 06 - Slide back panel No. "06" into upper part of already attached parts "05" as shown in diagram.



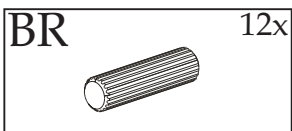
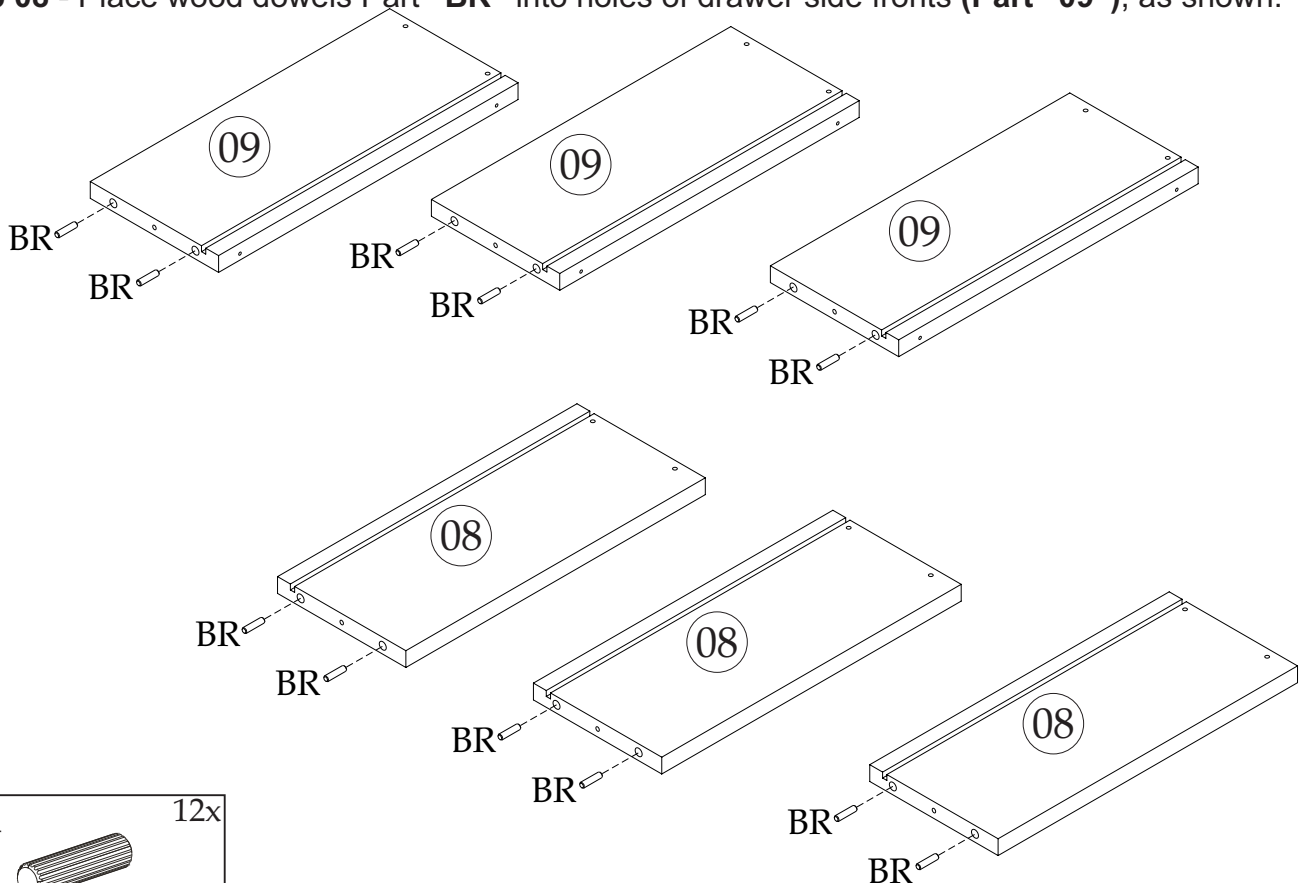
Step 07 - Attach top of cabinet (Part No. 01) using screws "AP" as shown in diagram.



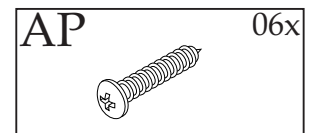
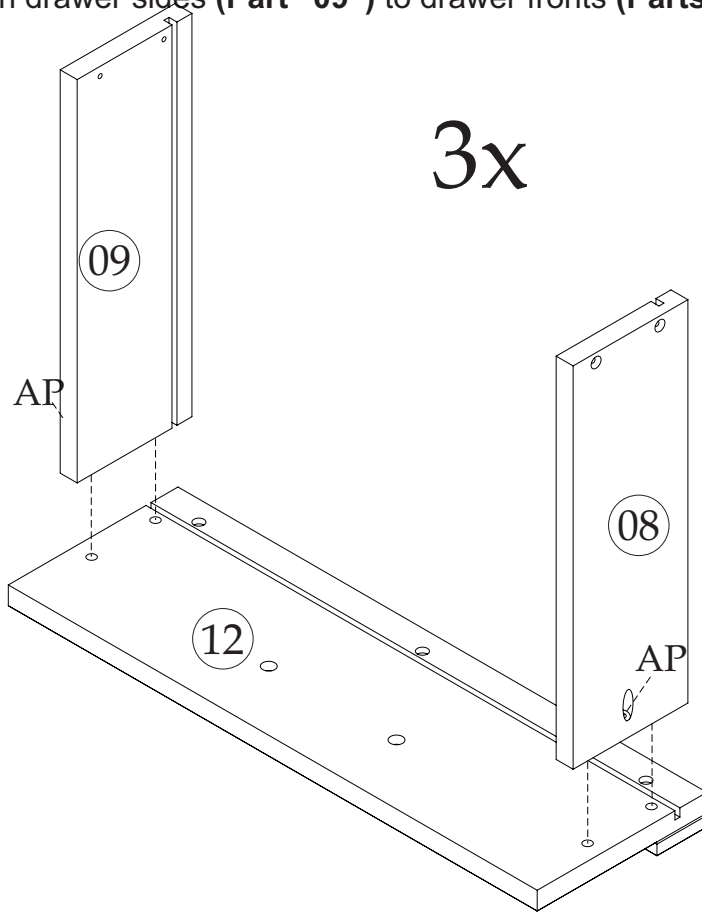
The body of your Night Stand is now complete!

Instructions for Drawer Assembly:

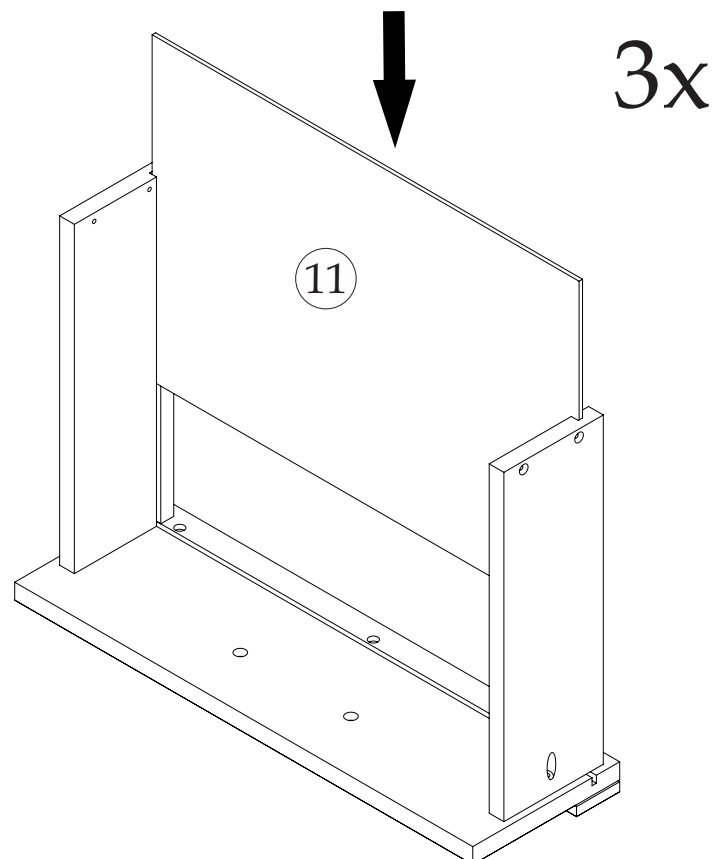
Step 08 - Place wood dowels Part "BR" into holes of drawer side fronts (Part "09"), as shown.



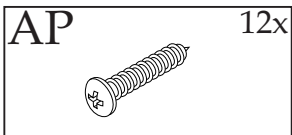
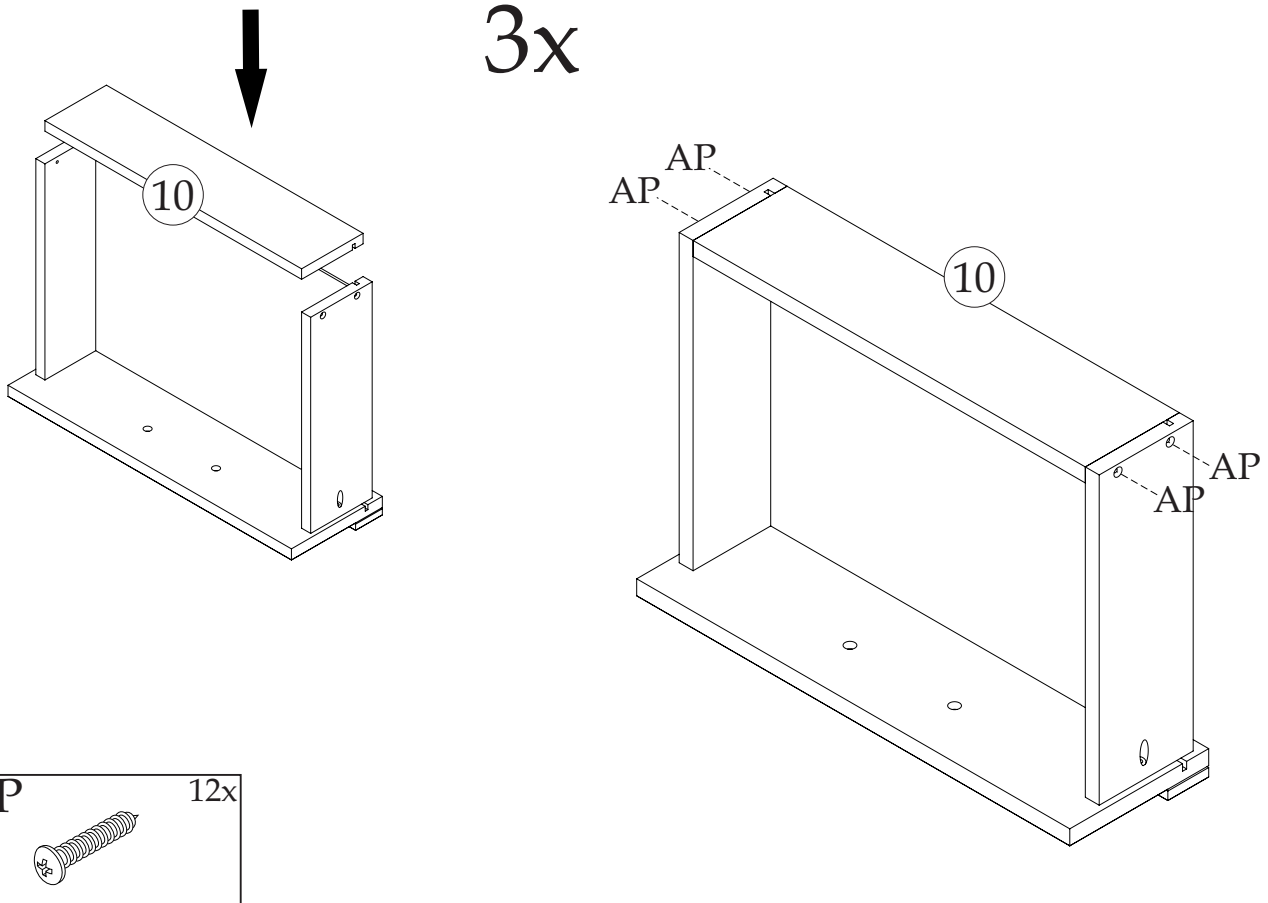
Step 09 - Attach drawer sides (**Part "09"**) to drawer fronts (**Parts No. "12"**) using screws "**AP**", as shown.



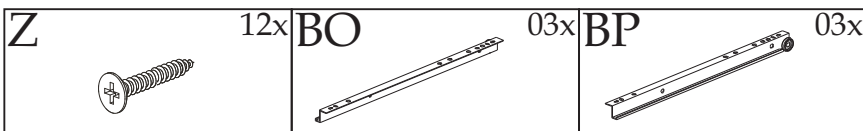
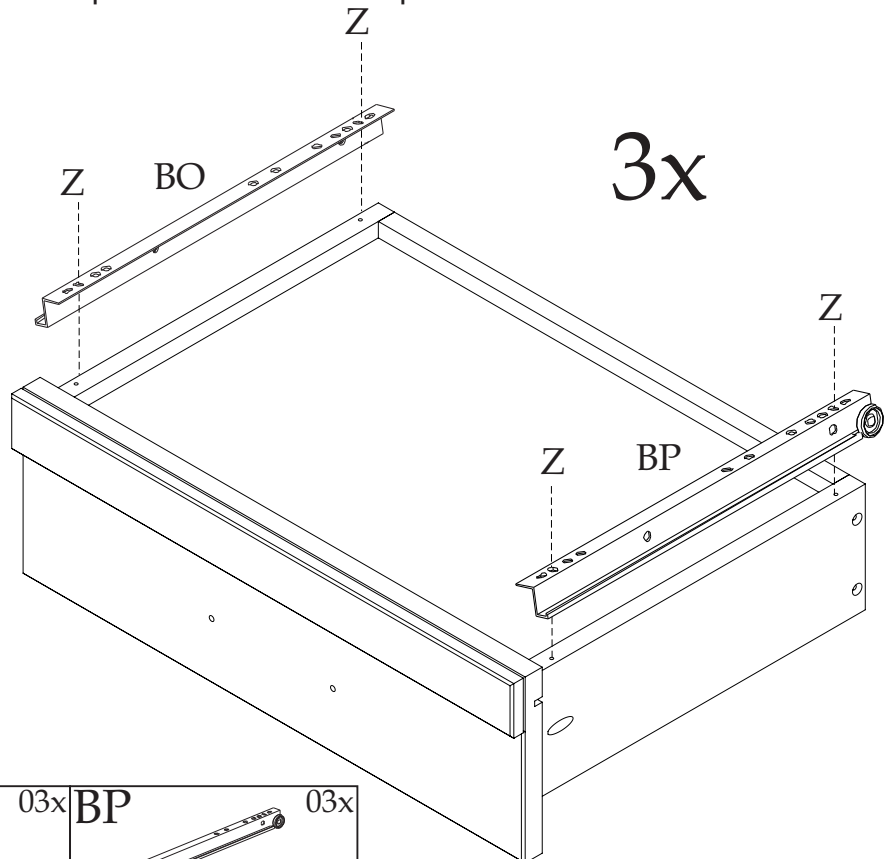
Step 10 - Slide drawer bottom panel (**Part 11**) into drawer side channels as indicated.



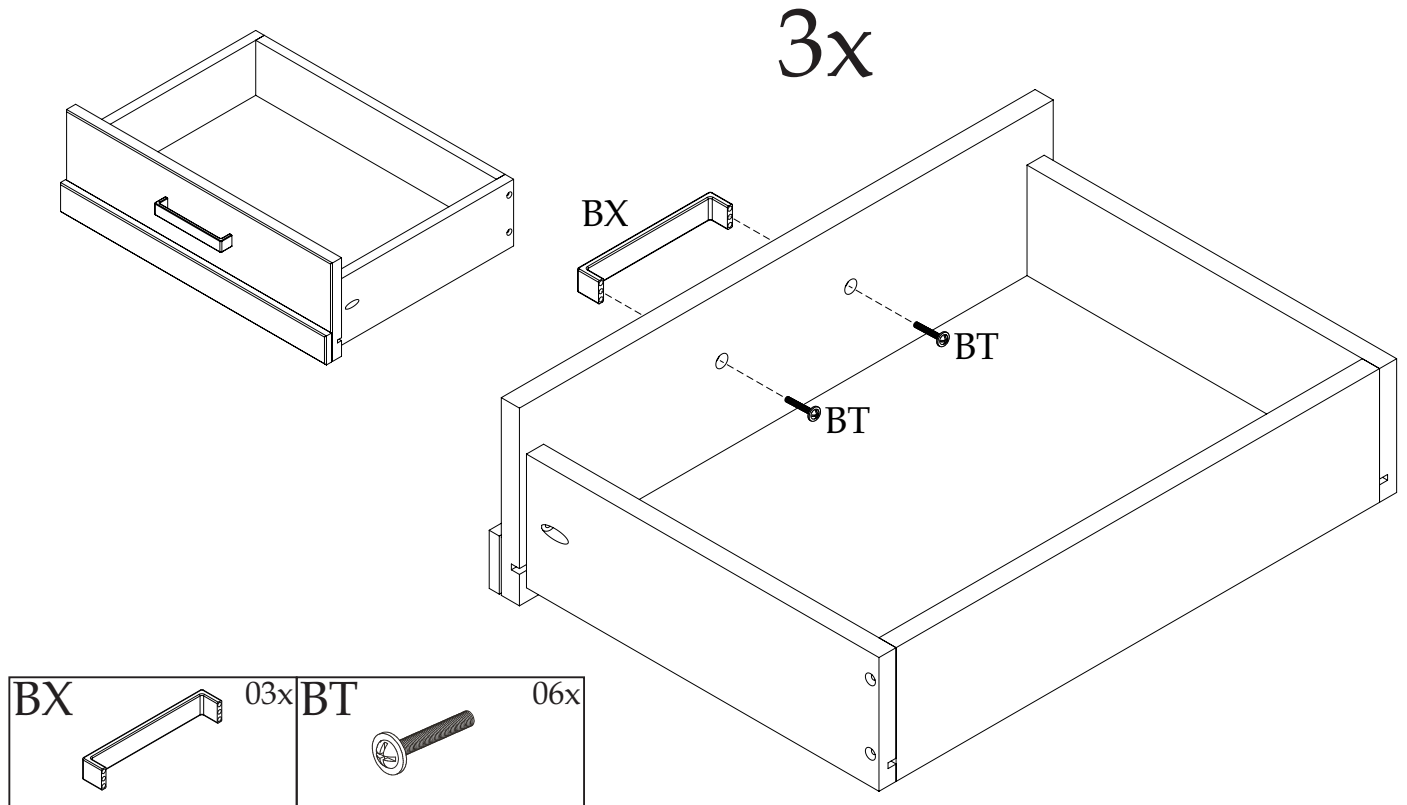
Step 11 - Attach drawer side back (Part 10) to drawer sides (Parts 08 & 09) as shown.



Step 12 - Attach outer metal drawer glides (Parts "BO" & "BP") to bottom of drawer sides, using screws "Z", as indicated. Be sure to line up the screws with the pilot screw holes indicated on drawer side bottoms.



Step 13 - Attach drawer pulls (Part "BX") to the drawer fronts using screws "BT" as shown in diagram.



The drawers are now complete and ready to place inside your new Night Stand!

Step - 14

