

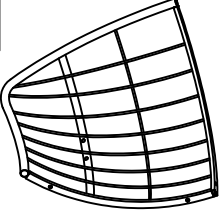
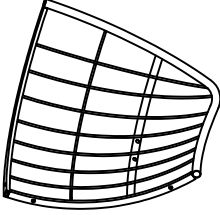
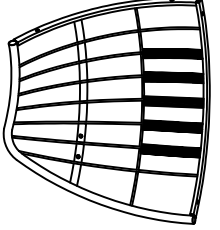
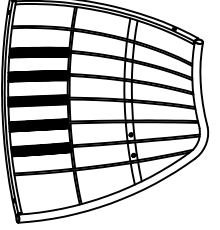

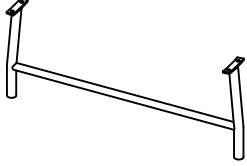

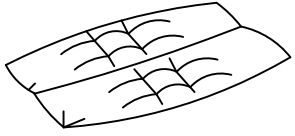
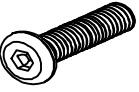




SINGLE ROCKING CHAIR



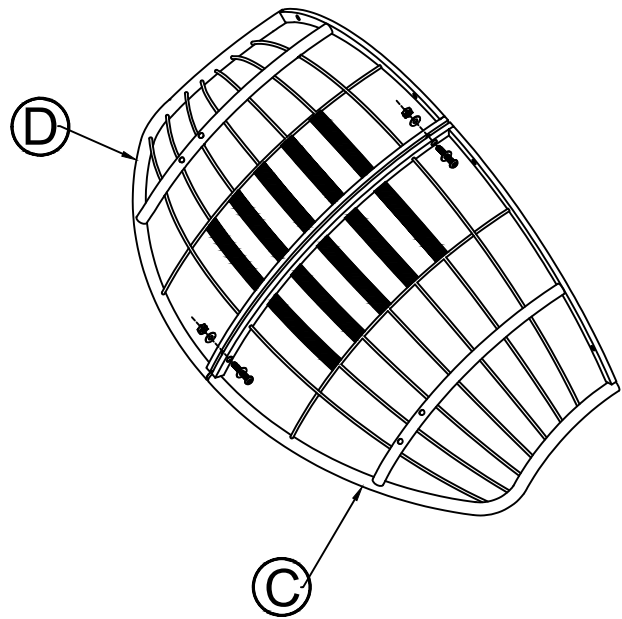
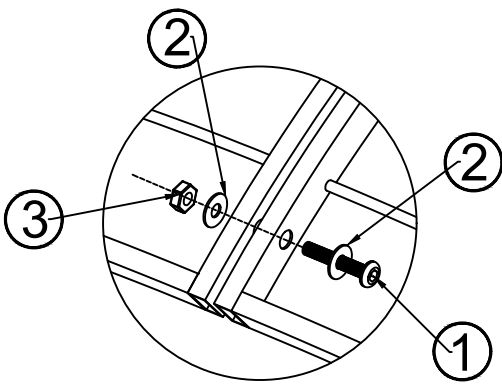
Back Cushion Notes:

1. The back cushion is vacuum-sealed. After opening the bag, allow some time and fluffing for the cushion to return to its original thickness.
2. Fluff and shake the cushion to restore its original thickness before use.

PARTS LIST OF BOX A

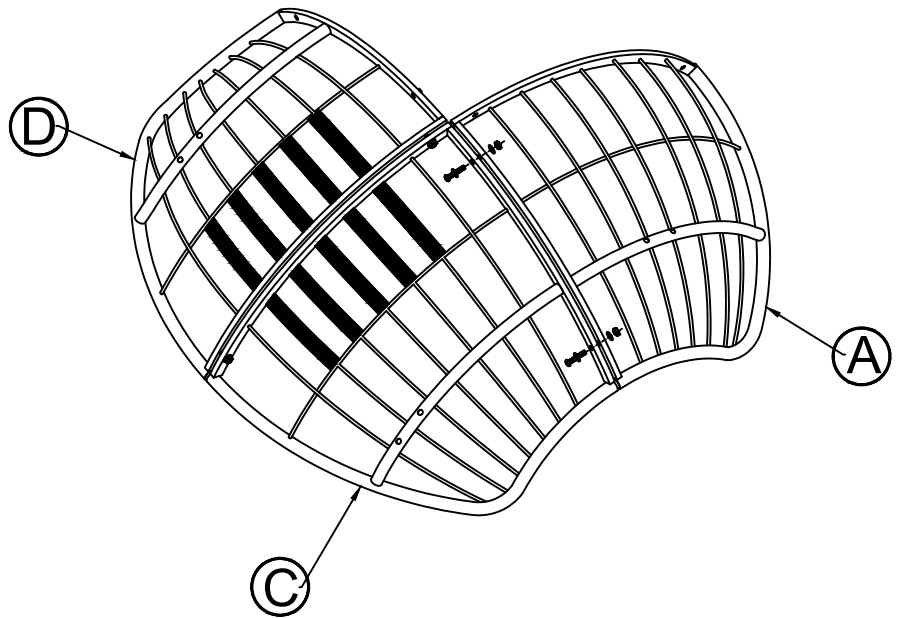
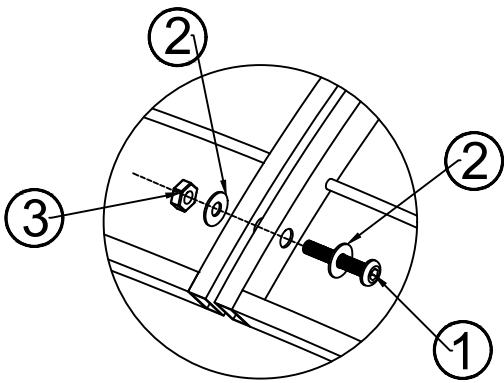
<p>A</p>  <p>TOP LEFT PLATE</p> <p>1pc</p>	<p>B</p>  <p>TOP RIGHT PLATE</p> <p>1pc</p>	<p>C</p>  <p>LOWER LEFT PLATE</p> <p>1pc</p>	<p>D</p>  <p>LOWER RIGHT PLATE</p> <p>1pc</p>
<p>E</p>  <p>LEGS</p> <p>2pcs</p>	<p>F</p>  <p>FRONT CROSSBAR</p> <p>1pc</p>	<p>G</p>  <p>REAR CROSSBAR</p> <p>1pc</p>	<p>H</p>  <p>SEAT CUSHION</p> <p>1pc</p>
<p>①</p>  <p>M6*35</p> <p>20pcs</p>	<p>②</p>  <p>M6*16</p> <p>40pcs</p>	<p>③</p>  <p>M6</p> <p>20pcs</p>	<p>④</p>  <p>M6</p> <p>1pc</p>
<p>⑤</p>  <p>M6</p> <p>1pc</p>			

STEP 1



C*1pc	D*1pc	①*2pcs	②*4pcs	③*2pcs	④*1pc	⑤*1pc
		M6*35	M6	M6	ALLEN KEY M6	M6

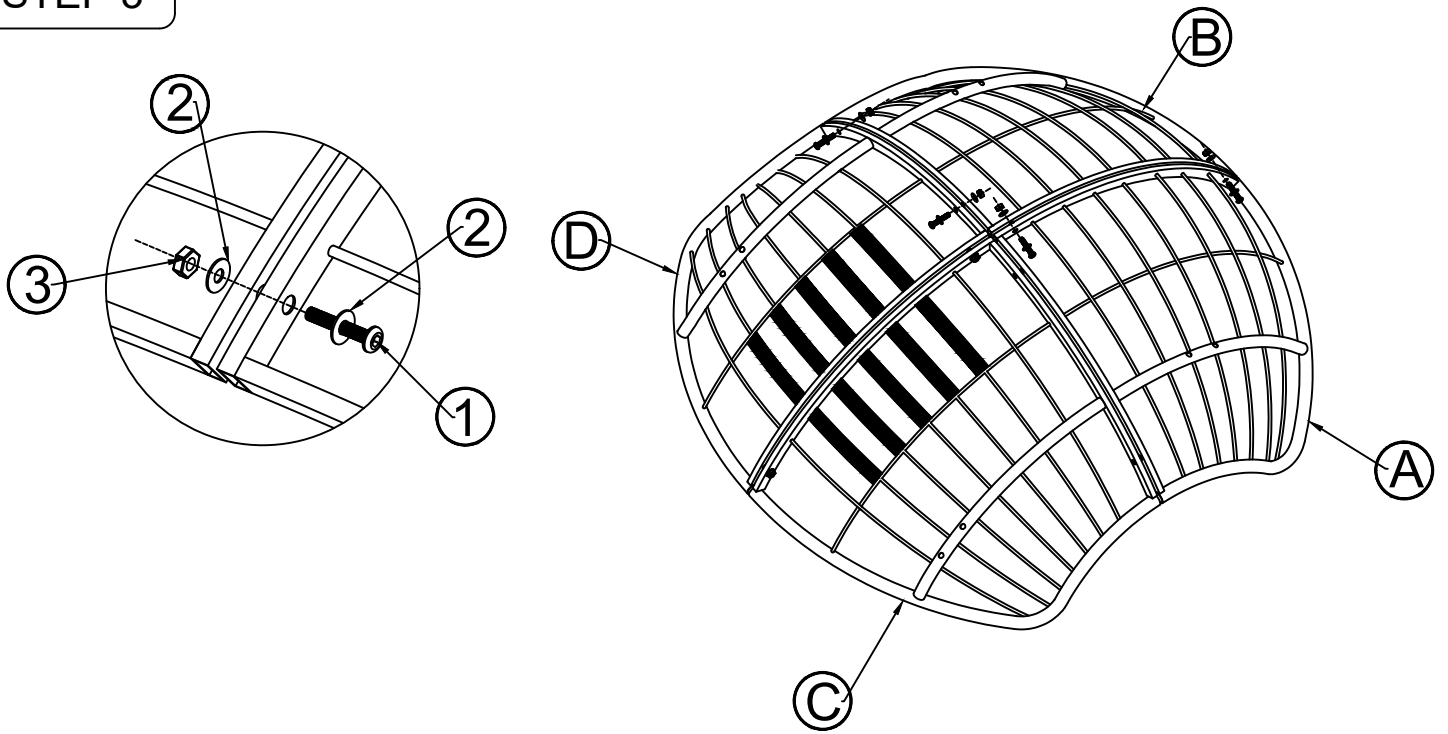
STEP 2



A*1pc	①*2pcs	②*4pcs	③*2pcs	④*1pc	⑤*1pc
	M6*35	M6	M6	ALLEN KEY M6	M6

Do not fully tighten all screws until assembly is completed.

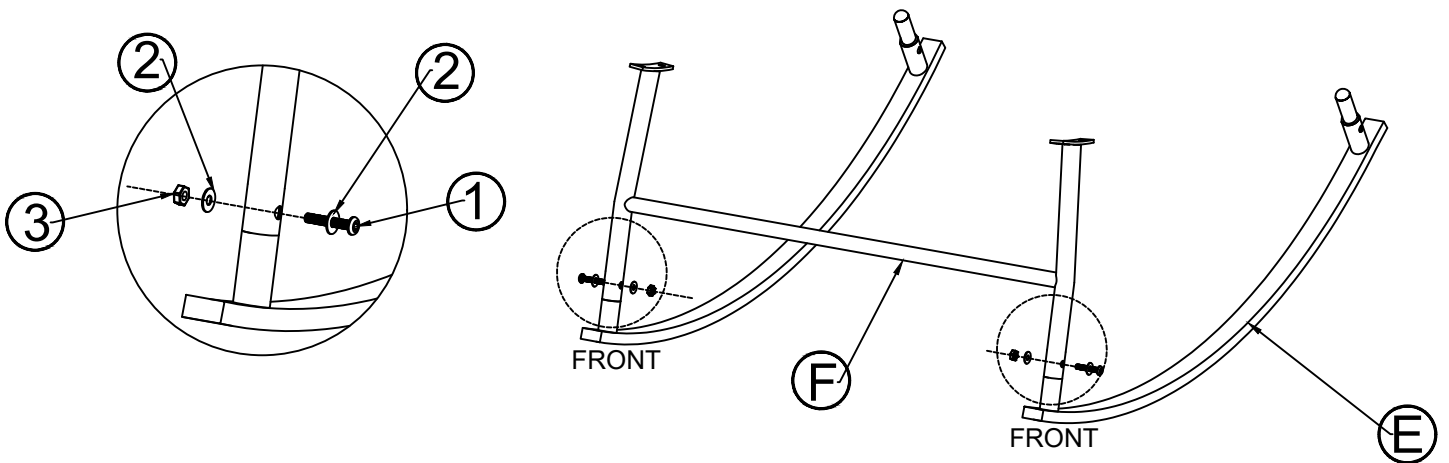
STEP 3



B*1pc	①*4pcs	②*8pcs	③*4pcs	④*1pc	⑤*1pc
	M6*35	M6	M6	ALLEN KEY M6	M6

STEP 4

Make sure the "FRONT" label on Part F is aligned in the same direction as the "FRONT" label on Part E.

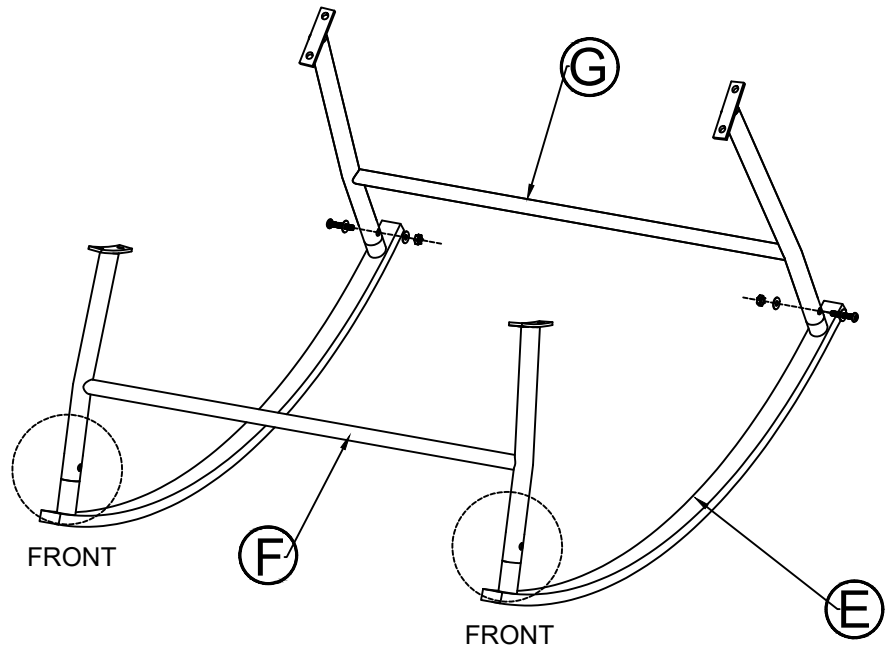
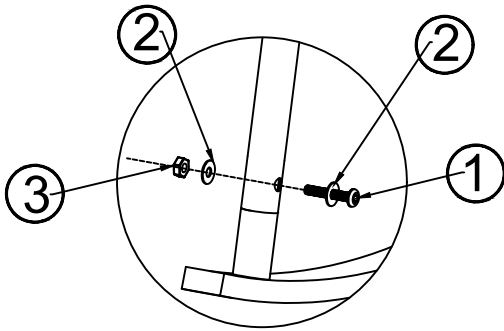


E*2pcs	F*1pc	①*2pcs	②*4pcs	③*2pcs	④*1pc	⑤*1pc
		M6*35	M6	M6	ALLEN KEY M6	M6

Do not fully tighten all screws until assembly is completed.

STEP 5

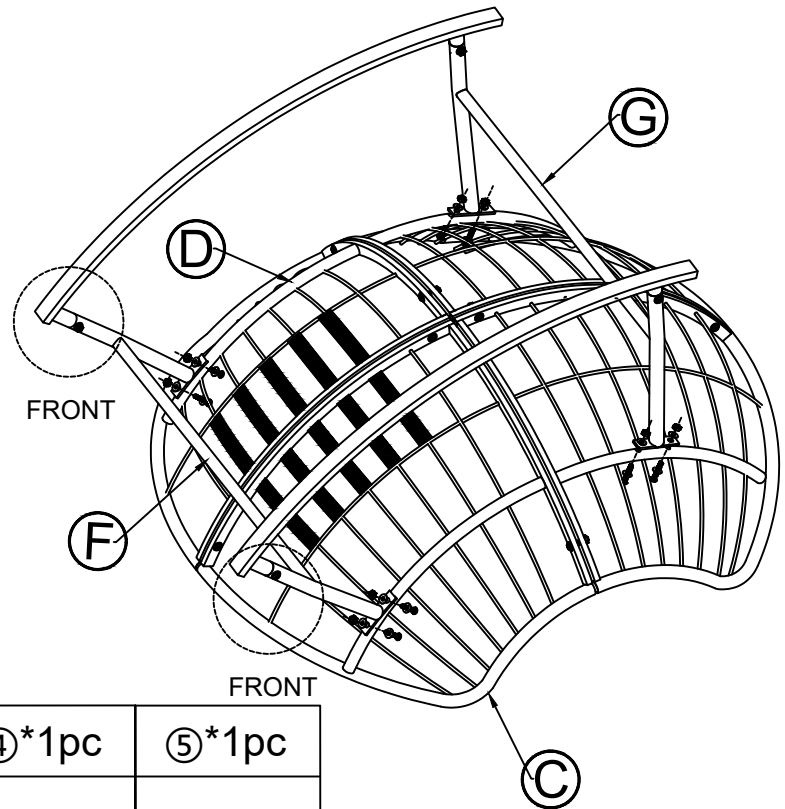
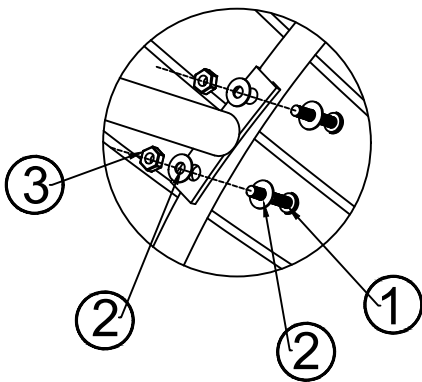
Ensure the "FRONT" label on Part G also faces the same direction as the "FRONT" labels on Parts F and E



G*1pc	①*2pcs	②*4pcs	③*2pcs	④*1pc	⑤*1pc
	M6*35	M6	M6	ALLEN KEY M6	M6

STEP 6

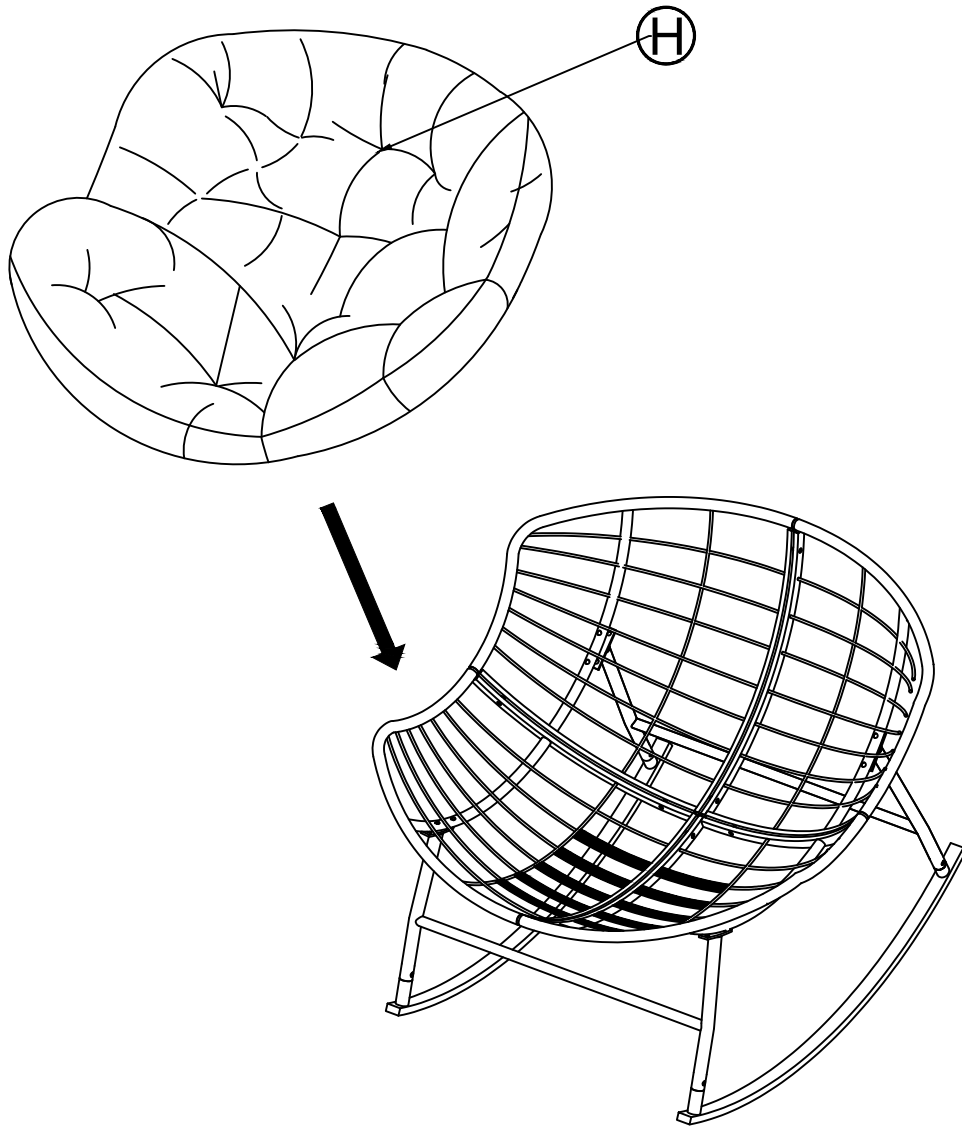
Please ensure that the FRONT side of the Part E is properly installed on PART C and PART D.



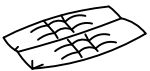
1*8pcs	①*16pcs	③*8pcs	④*1pc	⑤*1pc
M6*35	M6	M6	ALLEN KEY M6	M6

Do not fully tighten all screws until assembly is completed.

STEP 7



H*1pc



Do not fully tighten all screws until assembly is completed.