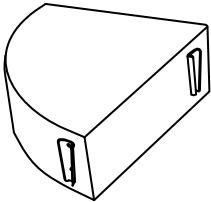


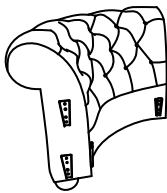
ASSEMBLY INSTRUCTION

A Seat Frame



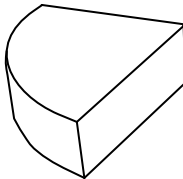
1pc

B Back Frame



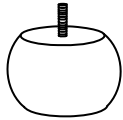
1pc

C Seat Cushion

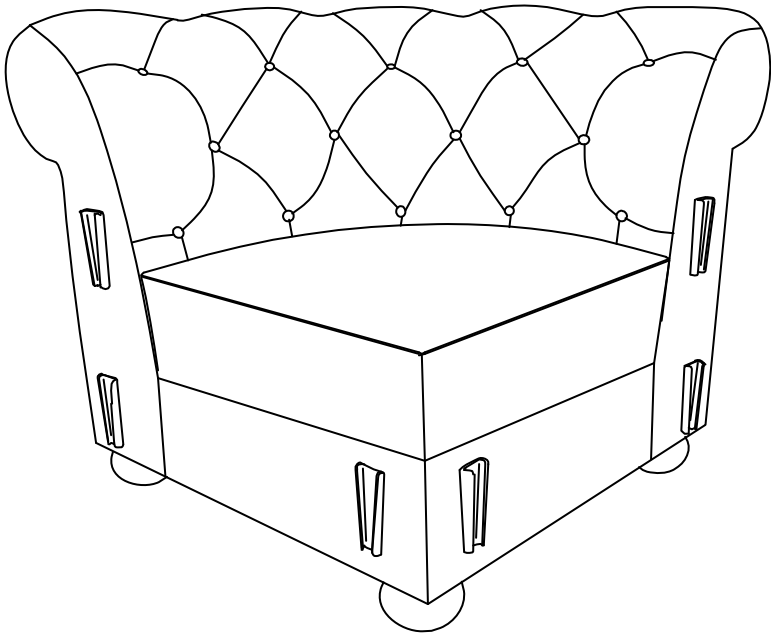


1pc

D Wooden Leg

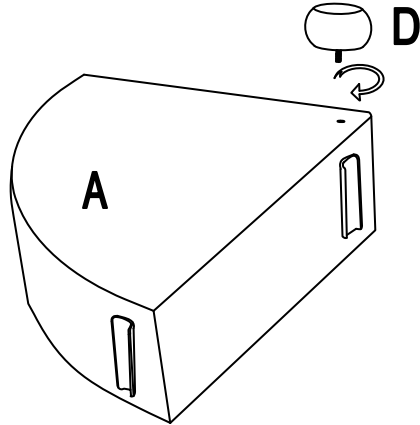


1pc

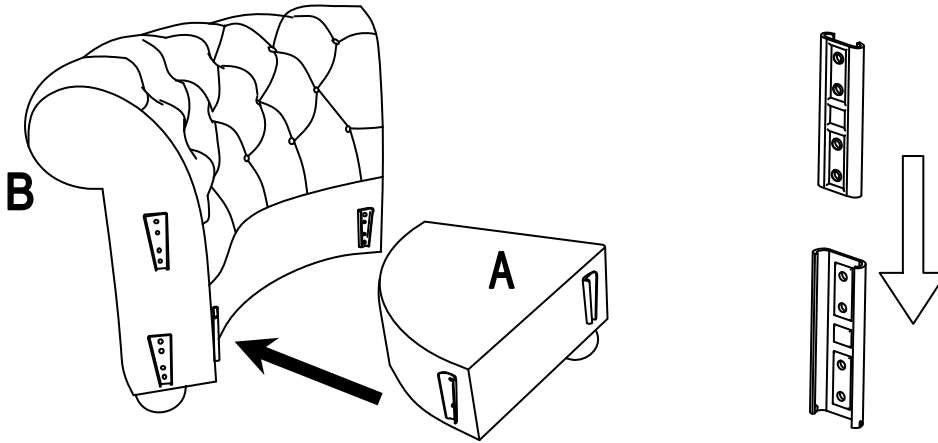


This page lists all the contents included in the box. As you unpack and prepare for assembly, place the contents on a carpeted or padded area to protect them from damage.

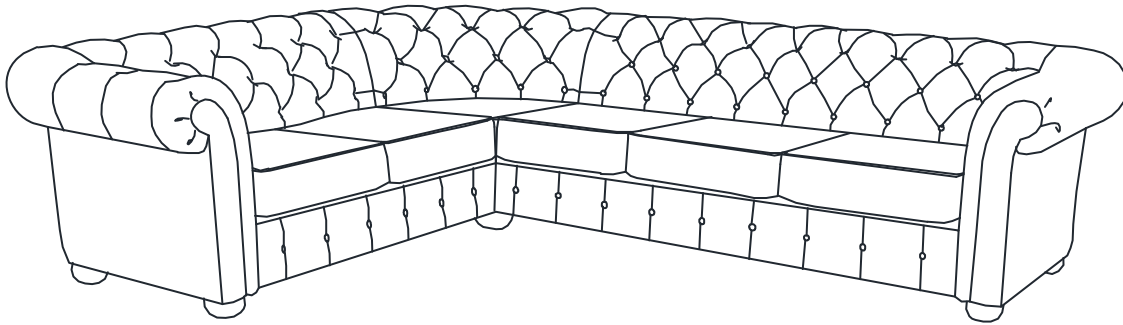
1 Assemble the Wooden Leg (D) to bottom of Seat Frame (A).



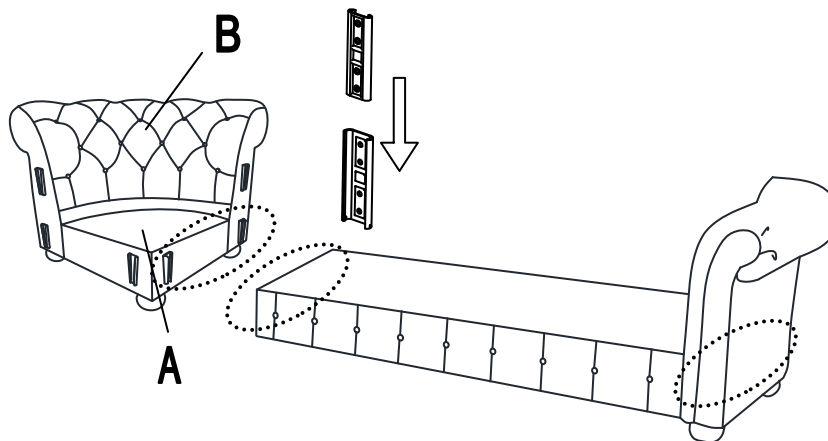
2 Hook on Seat Frame (A) to Back Frame (B) properly.



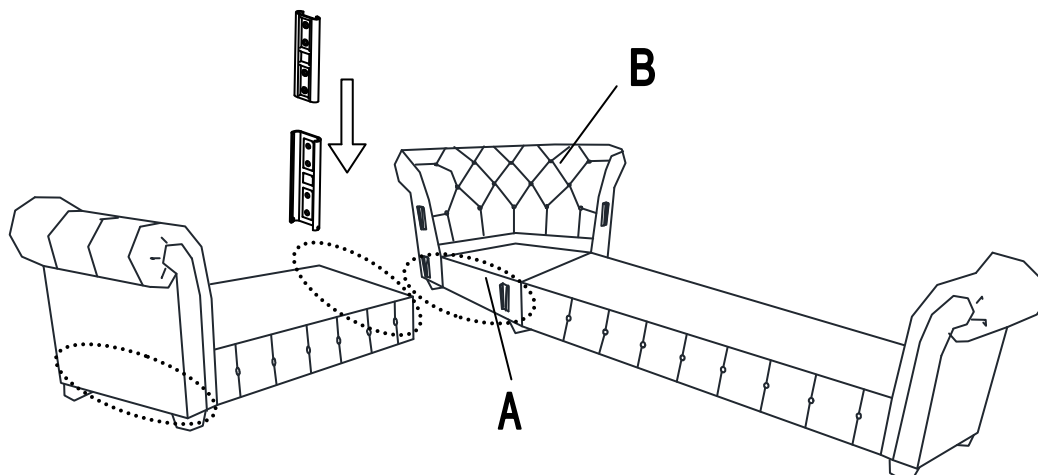
L-Shape:



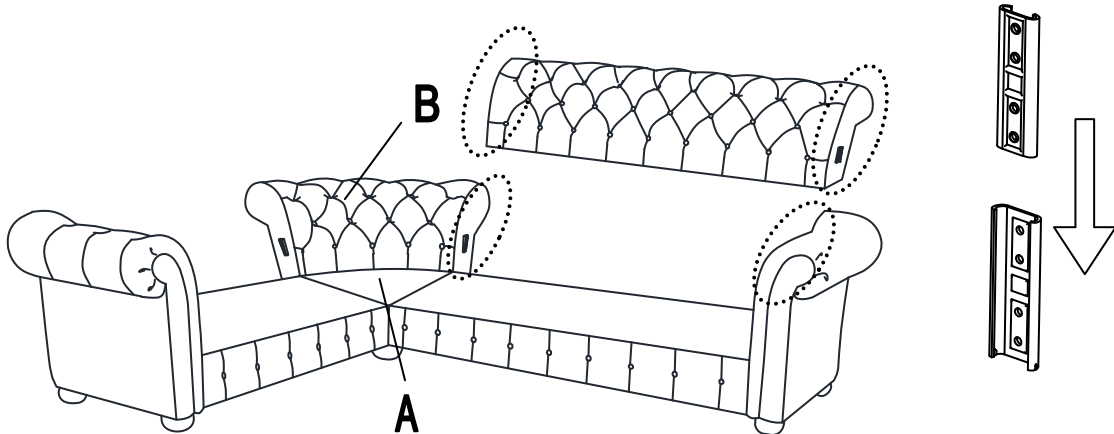
- 3** Hook on Right Seat Frame to Right Arm and Corner Seat (A) & (B) properly.
(Right Seat Frame is not in the Corner Seat carton)



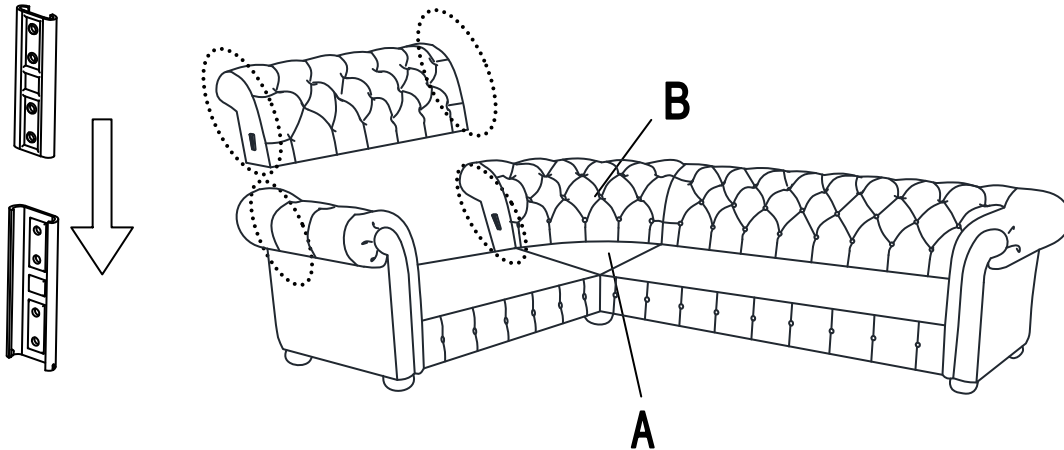
- 4** Then Hook on Left Seat Frame to Left Arm and Corner Seat (A) & (B) properly.
(Left Seat Frame is not in the Corner Seat carton)



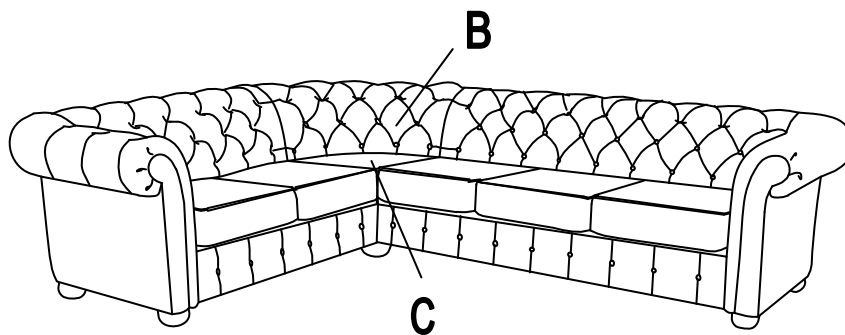
- 5** Hook on Right Back Frame to Right Arm and Corner Seat (A) & (B) properly.
(Right Back Frame is not in the Corner Seat carton)



- 6** Then Hook on Left Back Frame to Left Arm and Corner Seat (A) & (B) properly.
(Left Back Frame is not in the Corner Seat carton)



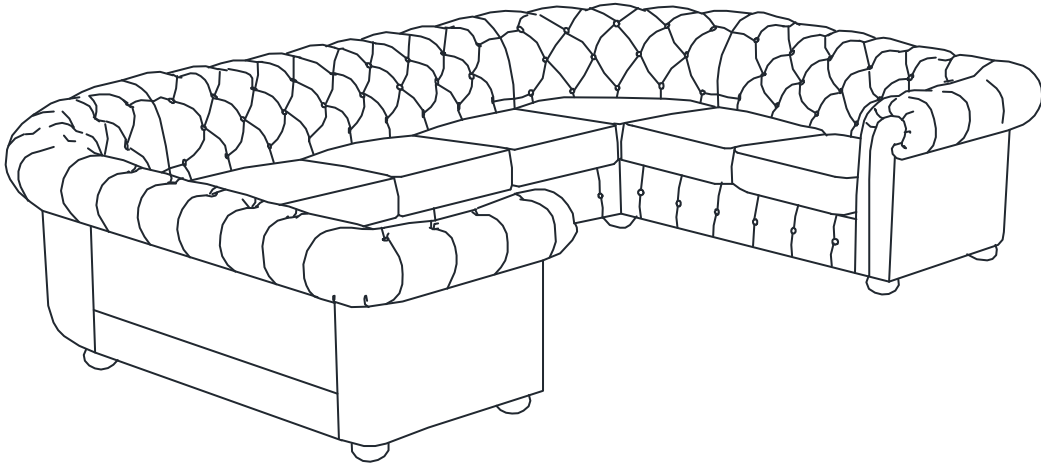
- 7** Put the Corner Cushion (C) and the cushion of Love Seat or Sofa on Love Seat or Sofa Frame. The assembly is completed.



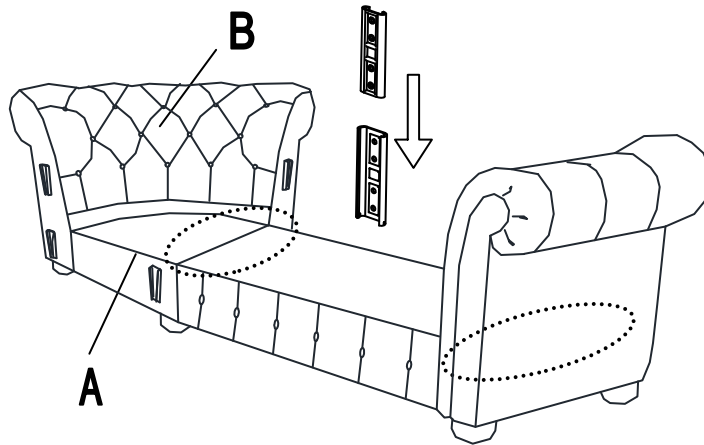
Cleaning & Care

Treat surface with care. Surface is resistant to scratches but is not scratch resistant.
Clean surfaces with a dry or damp soft cloth. Do not use abrasive cleaners.

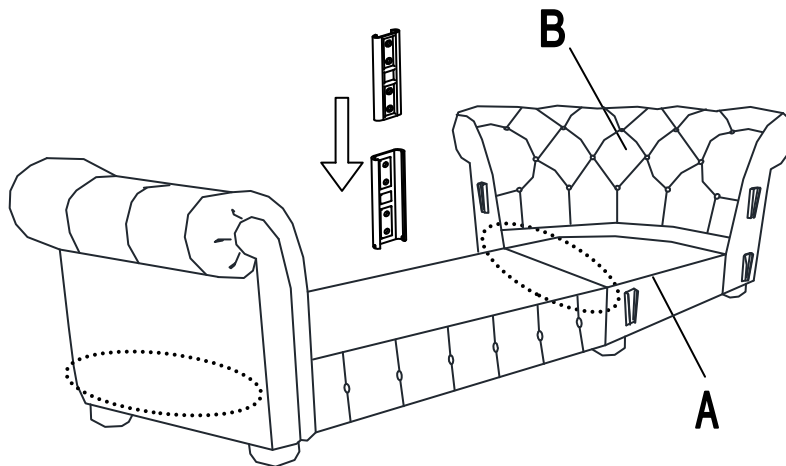
U-Shape:



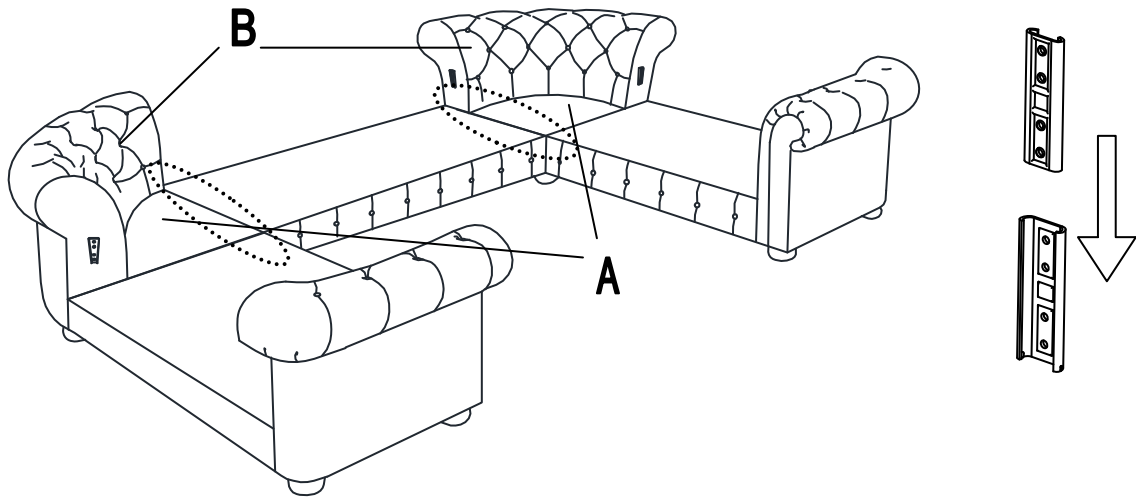
- 3** Hook on Right Seat Frame to Right Arm and Corner Seat (A) & (B) properly.
(Right Seat Frame is not in the Corner Seat carton)



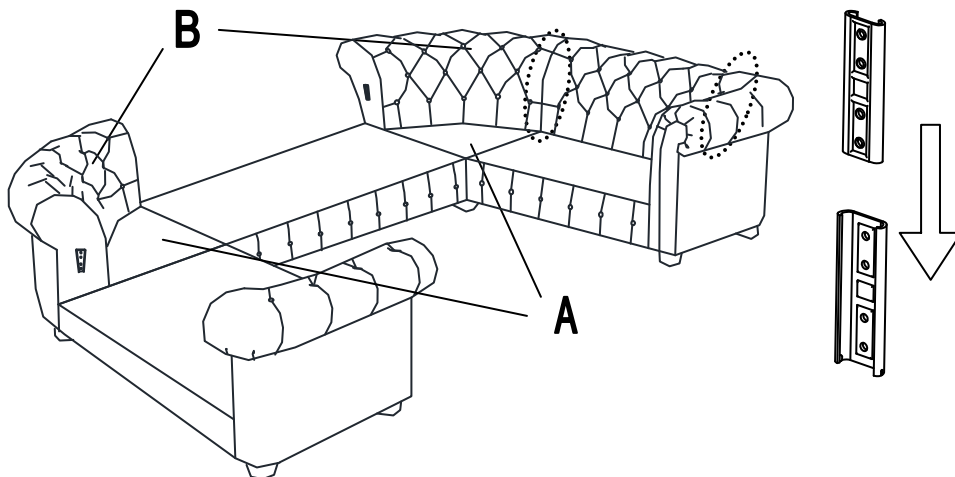
- 4** Then Hook on Left Seat Frame to Left Arm and Corner Seat (A) & (B) properly.
(Left Seat Frame is not in the Corner Seat carton)



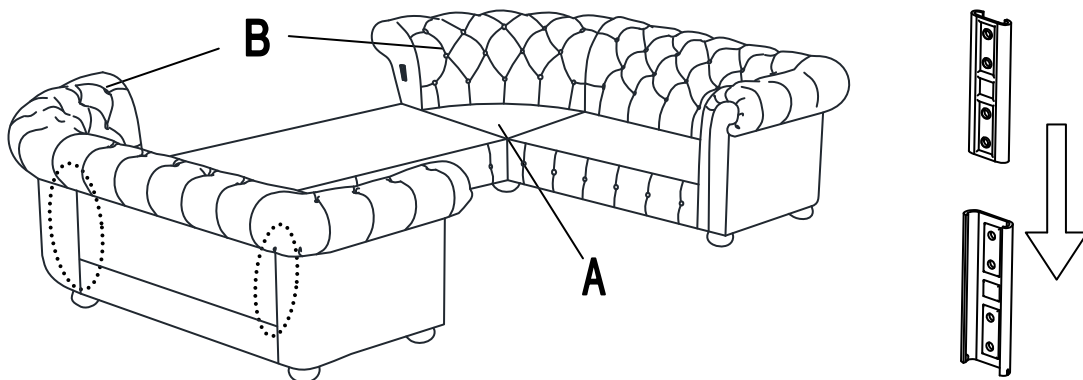
- 5** Then Hook on Middle Seat Frame to Left and Right Corner Seat (A) & (B) properly.
(Middle Seat Frame is not in the Corner Seat carton)



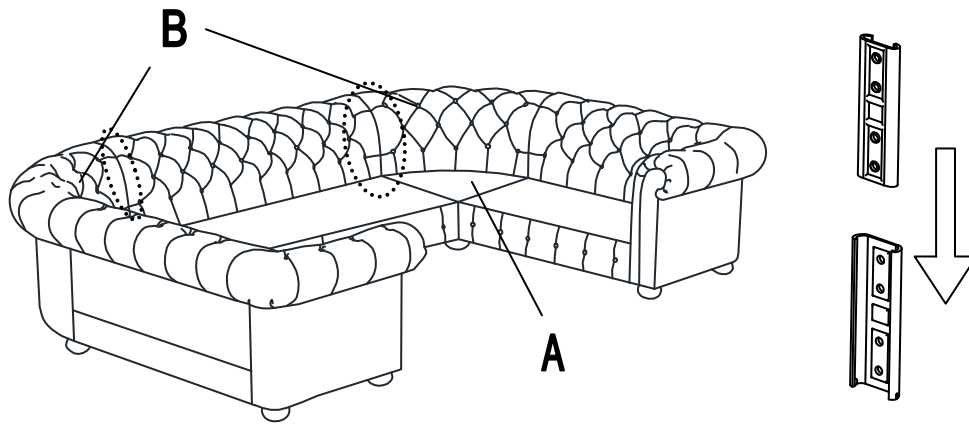
- 6** Hook on Right Back Frame to Right Arm and Corner Seat (A) & (B) properly.
(Right Back Frame is not in the Corner Seat carton)



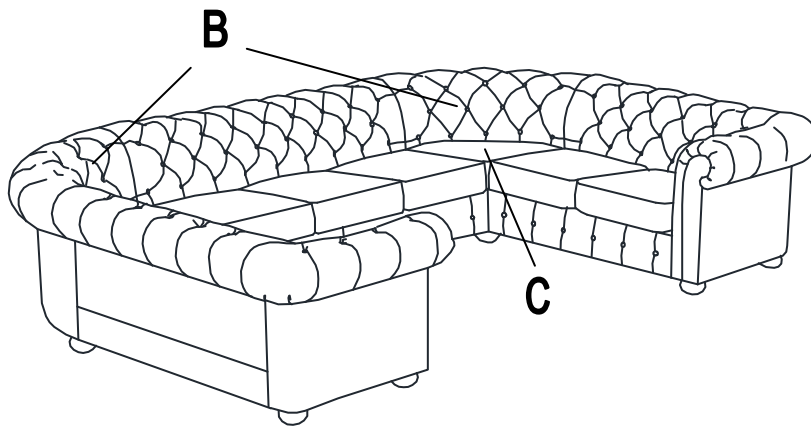
- 7** Hook on Left Back Frame to Left Arm and Corner Seat (A) & (B) properly.
(Left Back Frame is not in the Corner Seat carton)



-
- 8** Then Hook on Middle Back Frame to Left and Right Corner Seat (A) & (B) properly.
(Middle Back Frame is not in the Corner Seat carton)



-
- 9** Put the Corner Cushion (C) and the cushion of Love Seat or Sofa on Love Seat or Sofa Frame. The assembly is completed.



Cleaning & Care

Treat surface with care. Surface is resistant to scratches but is not scratch resistant.
Clean surfaces with a dry or damp soft cloth. Do not use abrasive cleaners.