

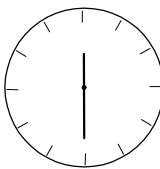


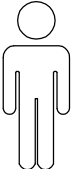


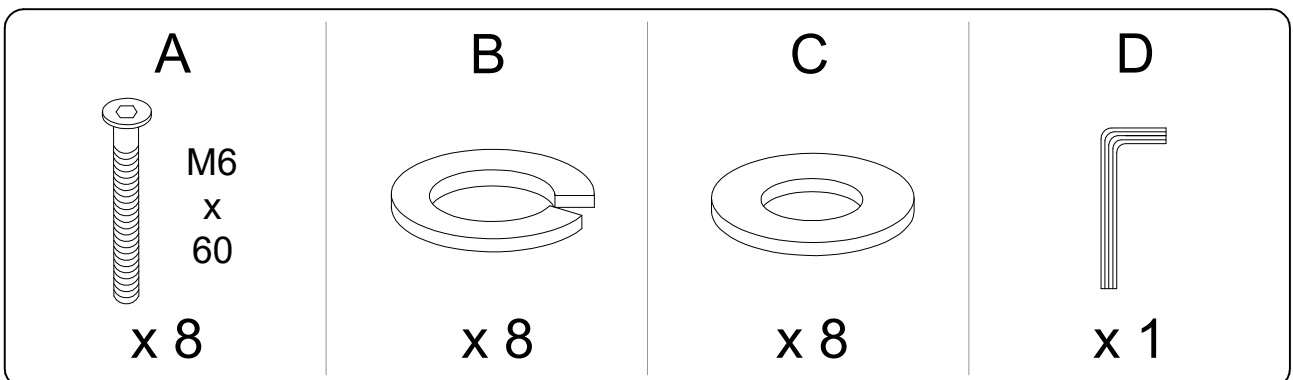
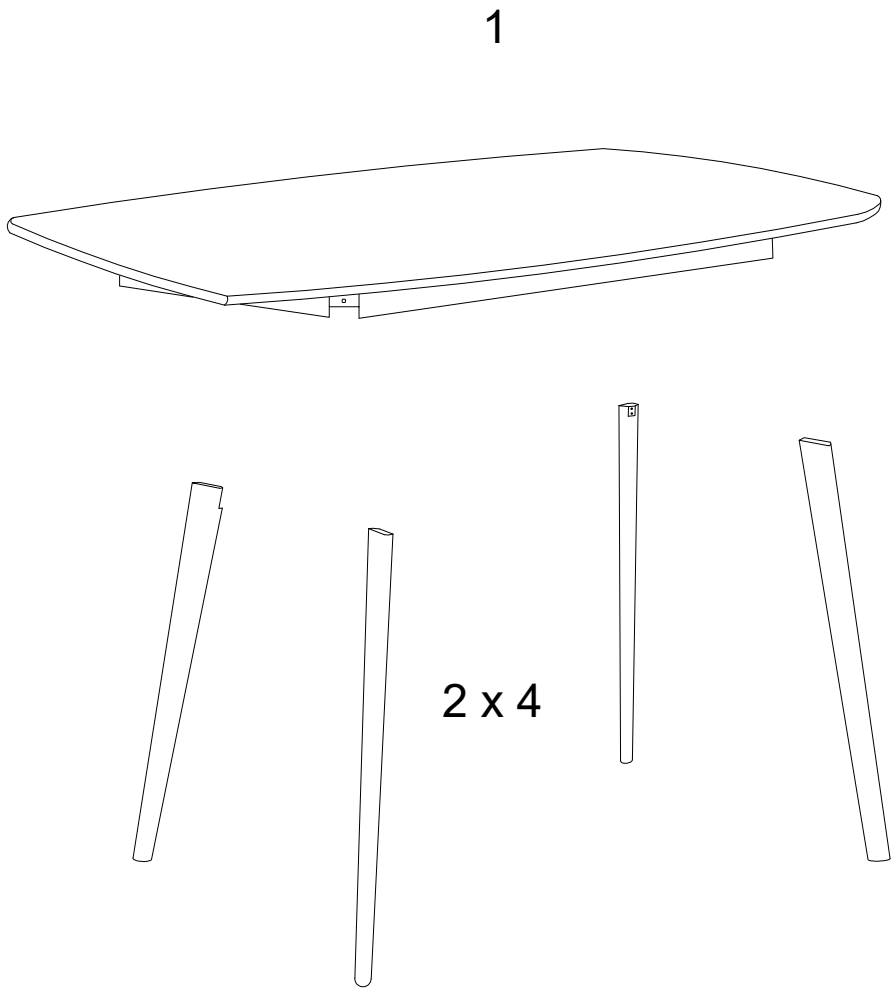
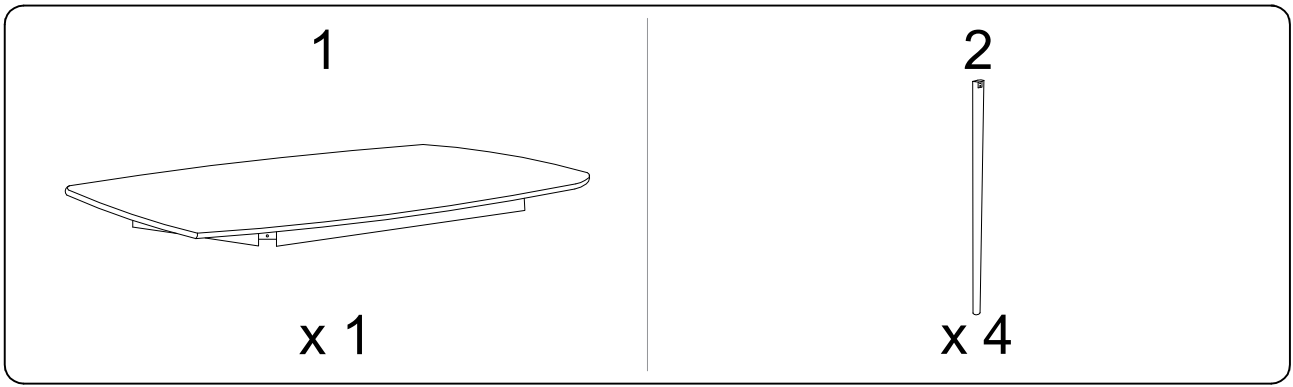
Assembly instructions for the table, including safety warnings, time estimate, and person count.

Warning 1: Do not use a power drill. Use an Allen key (shown in a circle) to tighten the legs. 

Warning 2: Do not place the table on an uneven surface. Place it on a flat surface (shown in a circle). 

Time: 30' 

Person Count: 1 



1

